

LISA2-W-PIN

~35° wide beam optimized for 3535 size LED packages. 6.6 mm high variant with location pin installation.

SPECIFICATION:

Dimensions	Ø 9.9 mm
Height	6.6 mm
Fastening	glue, pin
ROHS compliant	yes ⓘ

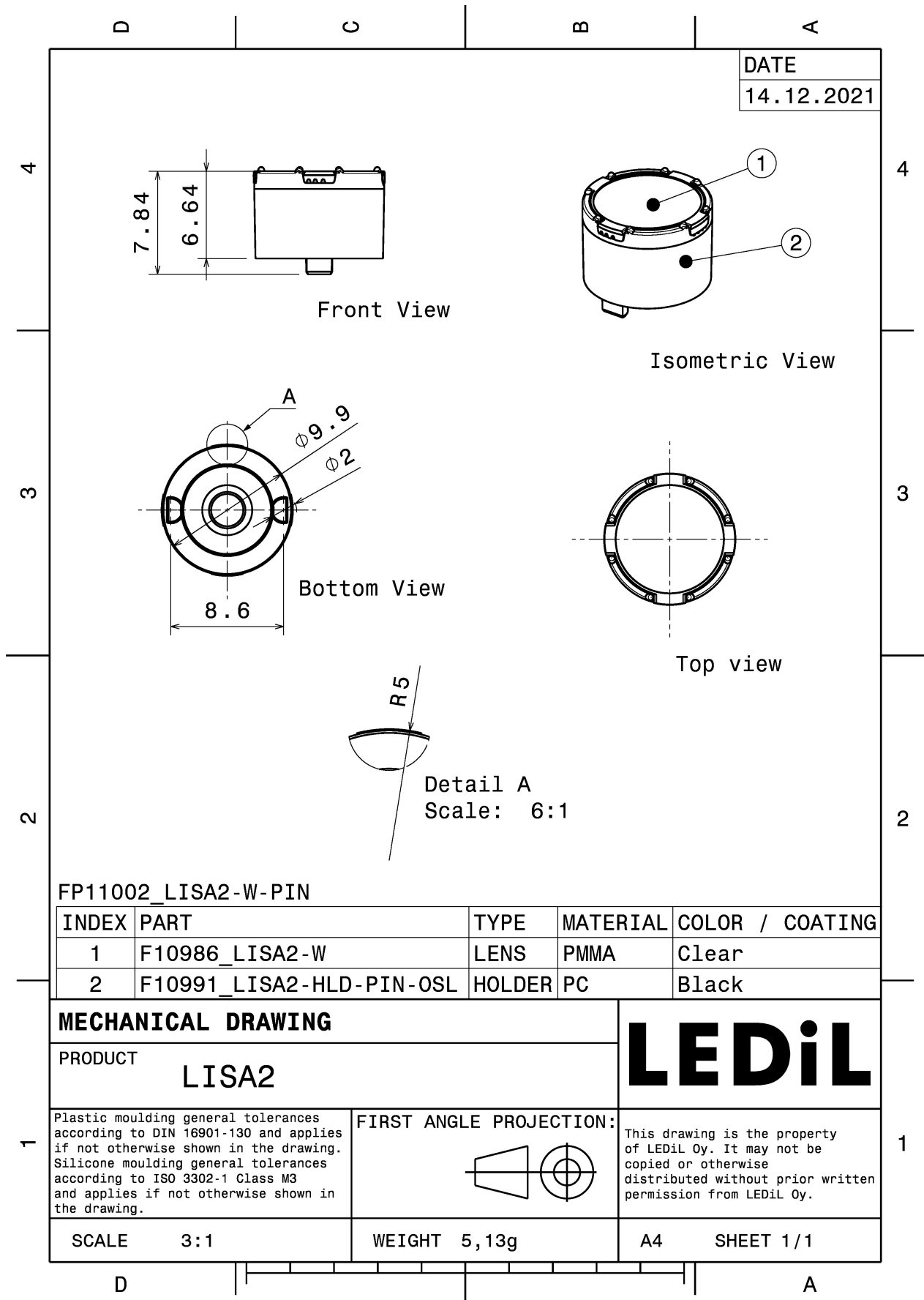


MATERIALS:

Component	Type	Material	Colour	Finish
LISA2-W	Single lens	PMMA	clear	
LISA2-HLD-PIN-OSL	Holder	PC	black	

ORDERING INFORMATION:

Component	Qty in box	MOQ	MPQ	Box weight (kg)
FP11002_LISA2-W-PIN » Box size:		300	100	1.4



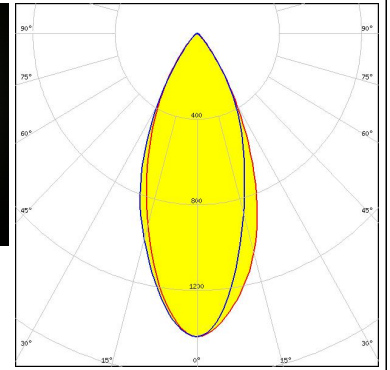
See also our general installation guide: www.ledil.com/installation_guide

OPTICAL RESULTS (MEASURED):

OSRAM

Opto Semiconductors

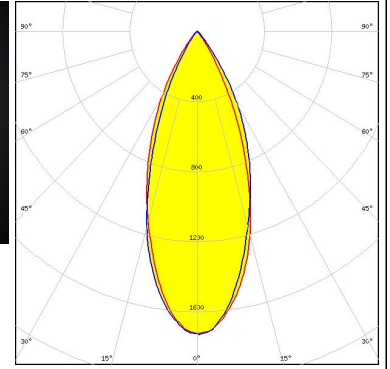
LED OSLON Square EC
 FWHM / FWTM 42.0° / 77.0°
 Efficiency 89 %
 Peak intensity 1.5 cd/lm
 LEDs/each optic 1
 Light colour White
 Required components:



OSRAM

Opto Semiconductors

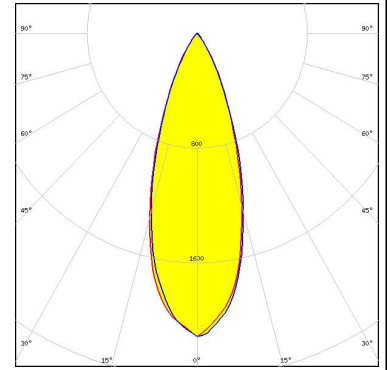
LED OSLON SSL 150
 FWHM / FWTM 41.0° / 69.0°
 Efficiency 90 %
 Peak intensity 1.7 cd/lm
 LEDs/each optic 1
 Light colour White
 Required components:



OPTICAL RESULTS (SIMULATED):

bridgelux.

LED CSP 2323 (BXCP)
 FWHM / FWTM 36.0° / 64.0°
 Efficiency 89 %
 Peak intensity 2.1 cd/lm
 LEDs/each optic 1
 Light colour White
 Required components:



OSRAM
 Opto Semiconductors

LED Synios P2720 1 mm
 FWHM / FWTM 27.0° / 61.0°
 Efficiency 93 %
 Peak intensity 2.9 cd/lm
 LEDs/each optic 1
 Light colour White
 Required components:

