

## LISA2-RS-CLIP

~19° spot beam optimized for 3535 size LED packages. 6.6 mm high variant with clip installation.

### SPECIFICATION:

Dimensions	Ø 9.9 mm
Height	6.6 mm
Fastening	glue, clips
ROHS compliant	yes ⓘ

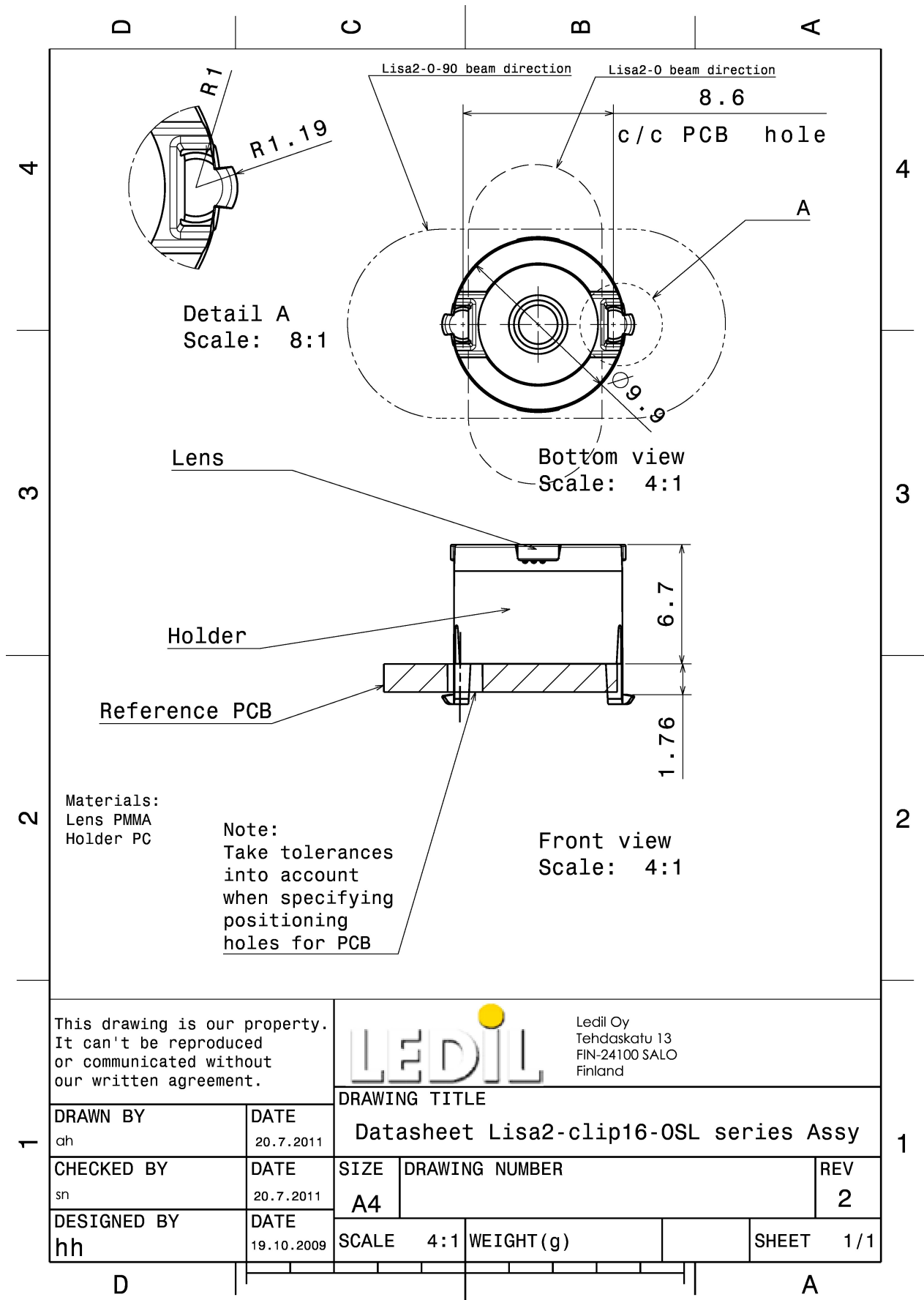


### MATERIALS:

Component	Type	Material	Colour	Finish
LISA2-RS	Single lens	PMMA	clear	
LISA2-HLD-CLIP-OSL	Holder	PC	black	

### ORDERING INFORMATION:

Component		Qty in box	MOQ	MPQ	Box weight (kg)
FP11084_LISA2-RS-CLIP	Single lens	2000	300	100	1.4
» Box size:					



This drawing is our property. It can't be reproduced or communicated without our written agreement.				Ledil Oy Tehdaskatu 13 FIN-24100 SALO Finland	
<b>DRAWN BY</b> ch		<b>DATE</b> 20.7.2011		<b>DRAWING TITLE</b> Datasheet Lisa2-clip16-OSL series Assy	
<b>CHECKED BY</b> sn		<b>DATE</b> 20.7.2011		<b>SIZE</b> A4	
<b>DESIGNED BY</b> hh		<b>DATE</b> 19.10.2009		<b>DRAWING NUMBER</b> REV 2	
		<b>SCALE</b> 4:1		<b>WEIGHT (g)</b>	
				<b>SHEET</b> 1/1	

See also our general installation guide: [www.ledil.com/installation\\_guide](http://www.ledil.com/installation_guide)

#### OPTICAL RESULTS (SIMULATED):



LED	XD16
FWHM / FWTM	18.0° / 39.0°
Efficiency	85 %
Peak intensity	5.3 cd/lm
LEDs/each optic	1
Light colour	White
Required components:	

