

## LISA2-O-PIN

~45° x 20° oval beam optimized for 3535 size LED packages. mm high variant with location pin installation.

### SPECIFICATION:

Dimensions	Ø 9.9 mm
Height	6.7 mm
Fastening	glue, pin
ROHS compliant	yes ⓘ

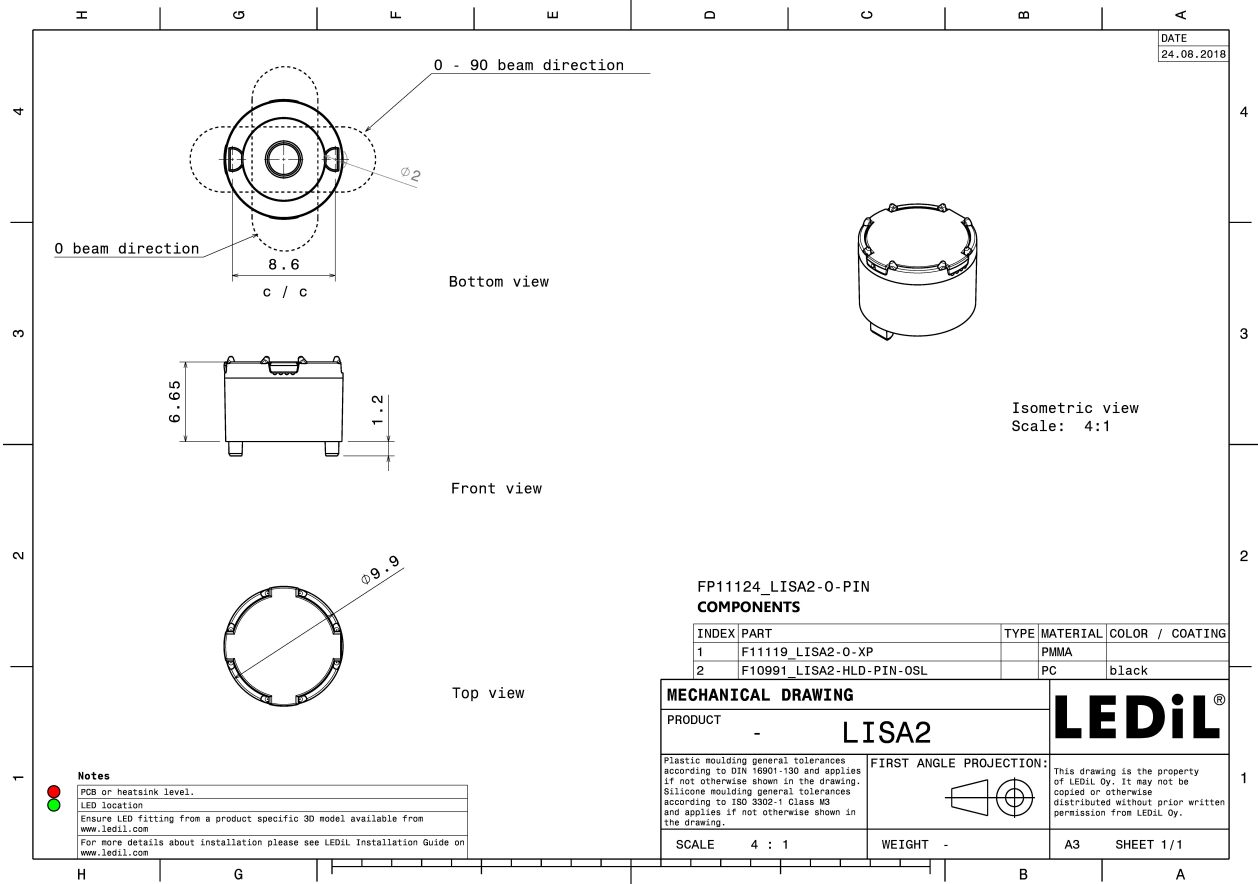


### MATERIALS:

Component	Type	Material	Colour	Finish
LISA2-O-XP	Single lens	PMMA	clear	
LISA2-HLD-PIN-OSL	Holder	PC	black	

### ORDERING INFORMATION:

Component		Qty in box	MOQ	MPQ	Box weight (kg)
FP11124_LISA2-O-PIN	Single lens	2000		100	1.4
» Box size:					

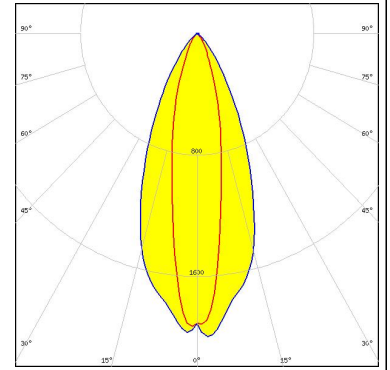


See also our general installation guide: [www.ledil.com/installation\\_guide](http://www.ledil.com/installation_guide)

#### OPTICAL RESULTS (SIMULATED):

bridgelux

LED CSP 2323 (BXCP)  
FWHM / FWTM 20.0 + 44.0° / 50.0 + 77.0°  
Efficiency 76 %  
Peak intensity 2 cd/lm  
LEDs/each optic 1  
Light colour White  
Required components:



OSRAM  
Opto Semiconductors

LED Synios P2720 1 mm  
FWHM / FWTM 45.0 + 14.0° / 65.0 + 37.0°  
Efficiency 87 %  
Peak intensity 3.3 cd/lm  
LEDs/each optic 1  
Light colour White  
Required components:

