

LISA2-WWW-CLIP

~80° wide beam optimized for CREE XP-E. 7.0 mm high variant with clip installation.

SPECIFICATION:

Dimensions	Ø 9.9 mm
Height	7 mm
Fastening	glue, clips
ROHS compliant	yes ⓘ

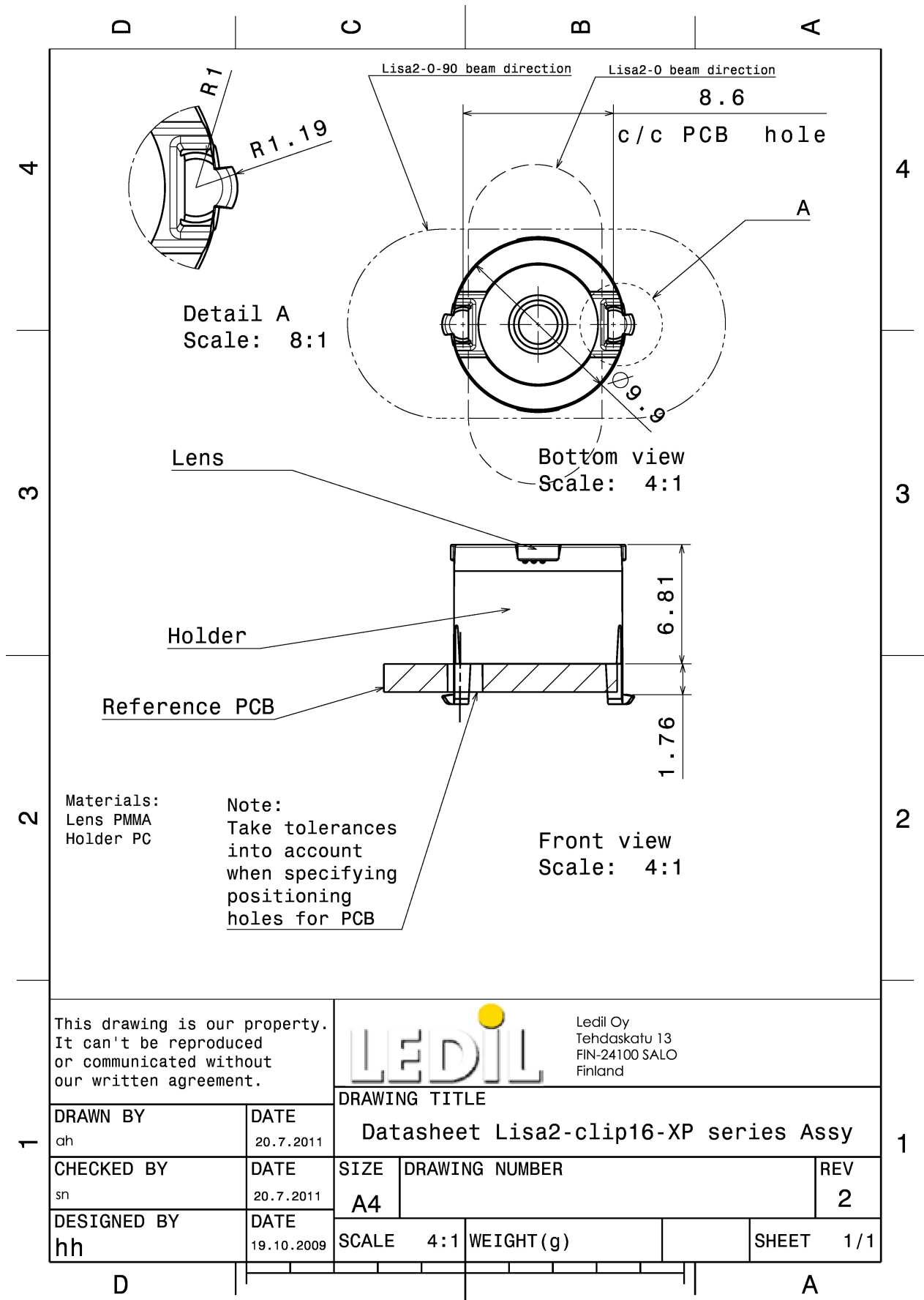


MATERIALS:

Component	Type	Material	Colour	Finish
LISA2-WWW	Single lens	PMMA	clear	
LISA2-HLD-CLIP16-XP	Holder	PC	black	

ORDERING INFORMATION:

Component	Type	Qty in box	MOQ	MPQ	Box weight (kg)
FP11431_LISA2-WWW-CLIP	Single lens	2000	300	100	1.4
» Box size:					



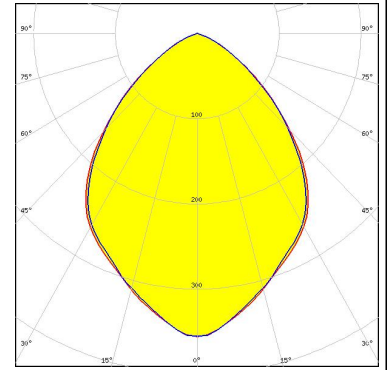
This drawing is our property. It can't be reproduced or communicated without our written agreement.		LEDiL		Ledil Oy Tehdaskatu 13 FIN-24100 SALO Finland	
DRAWING TITLE					
DRAWN BY ch	DATE 20.7.2011	Datasheet Lisa2-clip16-XP series Assy			
CHECKED BY sn	DATE 20.7.2011	SIZE A4	DRAWING NUMBER	REV 2	
DESIGNED BY hh	DATE 19.10.2009	SCALE 4:1	WEIGHT (g)	SHEET 1/1	

See also our general installation guide: www.ledil.com/installation_guide

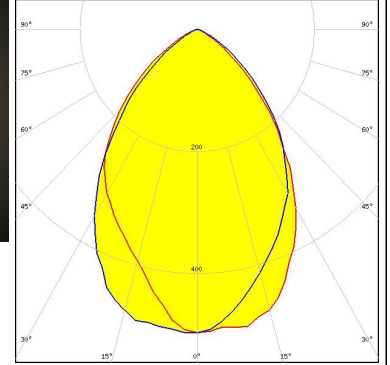
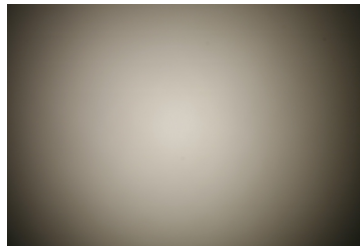
OPTICAL RESULTS (MEASURED):



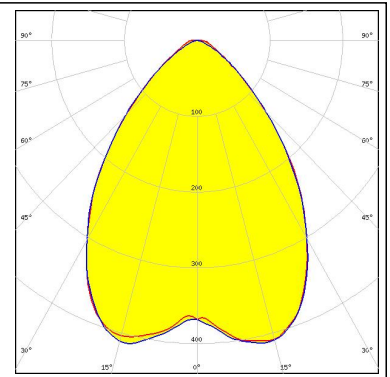
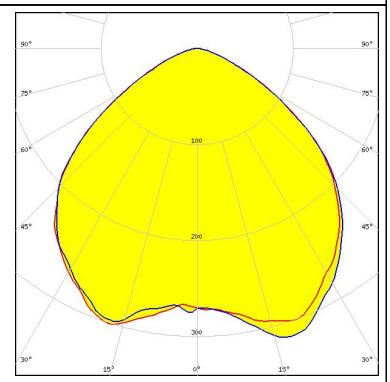
LED XP-G
FWHM / FWTM 86.0°
Efficiency 72 %
LEDs/each optic 1
Light colour White
Required components:



LED LUXEON Rebel ES
FWHM / FWTM 74.0° / 113.0°
Efficiency 73 %
Peak intensity 0.5 cd/lm
LEDs/each optic 1
Light colour White
Required components:



OPTICAL RESULTS (SIMULATED):

<p>NICHIA</p> <p>LED: NCSxE17A FWHM / FWTM: 78.0° / 118.0° Efficiency: 73 % Peak intensity: 0.5 cd/lm LEDs/each optic: 4 Light colour: White Required components:</p>		
<p>NICHIA</p> <p>LED: NVSW519A FWHM / FWTM: 104.0° / 140.0° Efficiency: 76 % Peak intensity: 0.3 cd/lm LEDs/each optic: 1 Light colour: White Required components:</p>		
<p>OSRAM <small>Opto Semiconductors</small></p> <p>LED: SFH 4716S FWHM / FWTM: 35.0° / 126.0° Efficiency: 84 % LEDs/each optic: 1 Light colour: IR Required components:</p>	