

## LISA2-O-90-PIN

~20° x 50° oval beam optimized for 3535 size LED packages. Variant with beam direction rotated 90°. 6.6 mm high variant with location pin installation.

### SPECIFICATION:

Dimensions	Ø 9.9 mm
Height	6.6 mm
Fastening	glue, pin
ROHS compliant	yes ⓘ

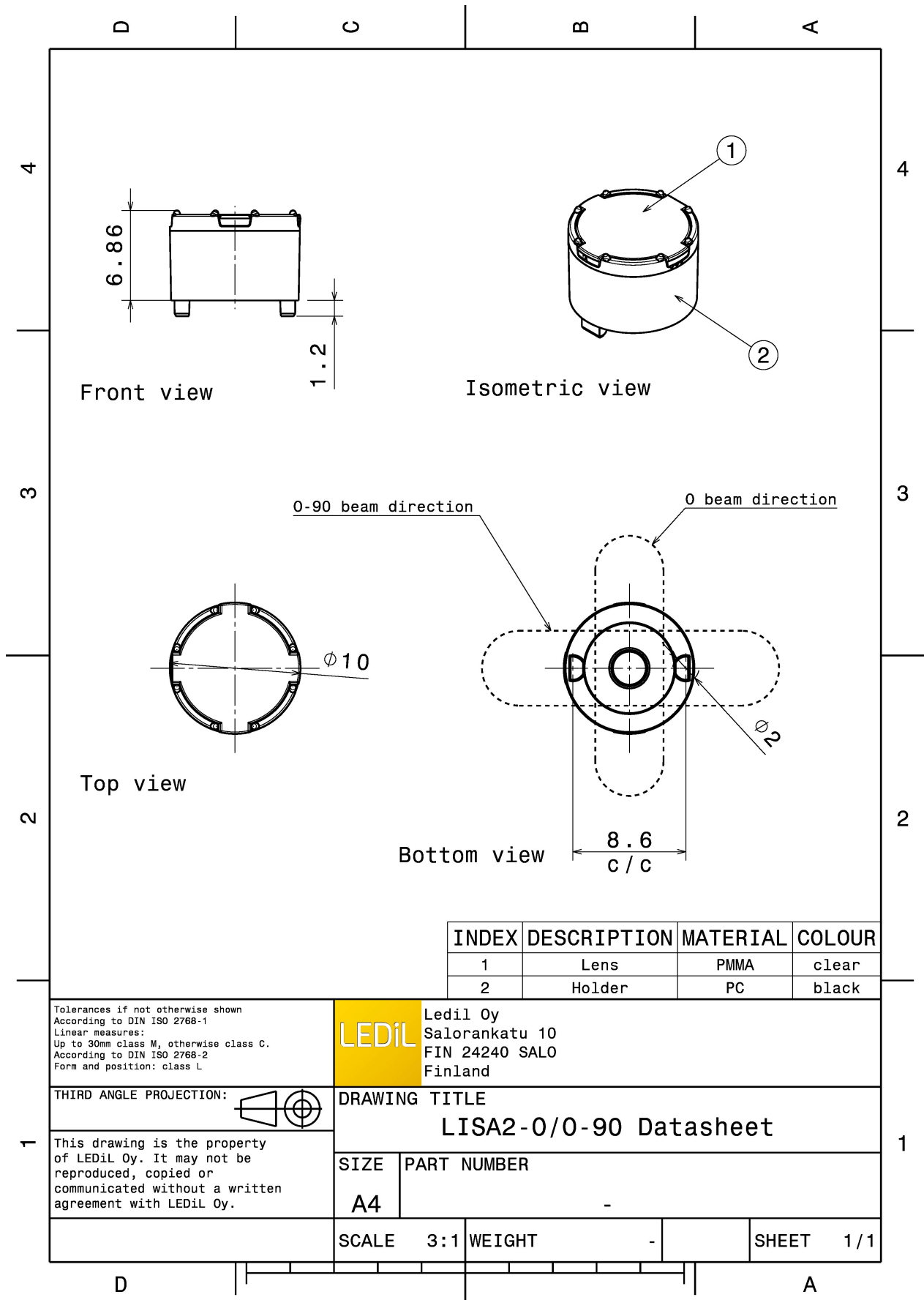


### MATERIALS:

Component	Type	Material	Colour	Finish
LISA2-O-XP	Single lens	PMMA	clear	
LISA2-HLD-PIN-OSL	Holder	PC	black	

### ORDERING INFORMATION:

Component		Qty in box	MOQ	MPQ	Box weight (kg)
FP11852_LISA2-O-90-PIN	Single lens	2000	300	100	1.4
» Box size:					



INDEX	DESCRIPTION	MATERIAL	COLOUR
1	Lens	PMMA	clear
2	Holder	PC	black

Tolerances if not otherwise shown  
According to DIN ISO 2768-1  
Linear measures:  
Up to 30mm class M, otherwise class C.  
According to DIN ISO 2768-2  
Form and position: class L

**LEDiL** LediL Oy  
Salorankatu 10  
FIN 24240 SALO  
Finland

THIRD ANGLE PROJECTION:

DRAWING TITLE  
**LISA2-O-90 Datasheet**

This drawing is the property of LEDiL Oy. It may not be reproduced, copied or communicated without a written agreement with LEDiL Oy.

SIZE	PART NUMBER
A4	-

SCALE	3:1	WEIGHT	-	SHEET	1/1
-------	-----	--------	---	-------	-----

See also our general installation guide: [www.ledil.com/installation\\_guide](http://www.ledil.com/installation_guide)

#### OPTICAL RESULTS (SIMULATED):

**OSRAM**  
Opto Semiconductors

LED	OSLON Square EC
FWHM / FWTM	21.0 + 42.0° / 47.0 + 74.0°
Efficiency	84 %
Peak intensity	2.5 cd/lm
LEDs/each optic	1
Light colour	White
Required components:	

