

## LISA2-WWW-CLIP

~80° wide beam optimized for LUXEON Rebel.  
6.6 mm high variant with clip installation.

### SPECIFICATION:

Dimensions	Ø 9.9 mm
Height	6.6 mm
Fastening	clips
ROHS compliant	yes ⓘ

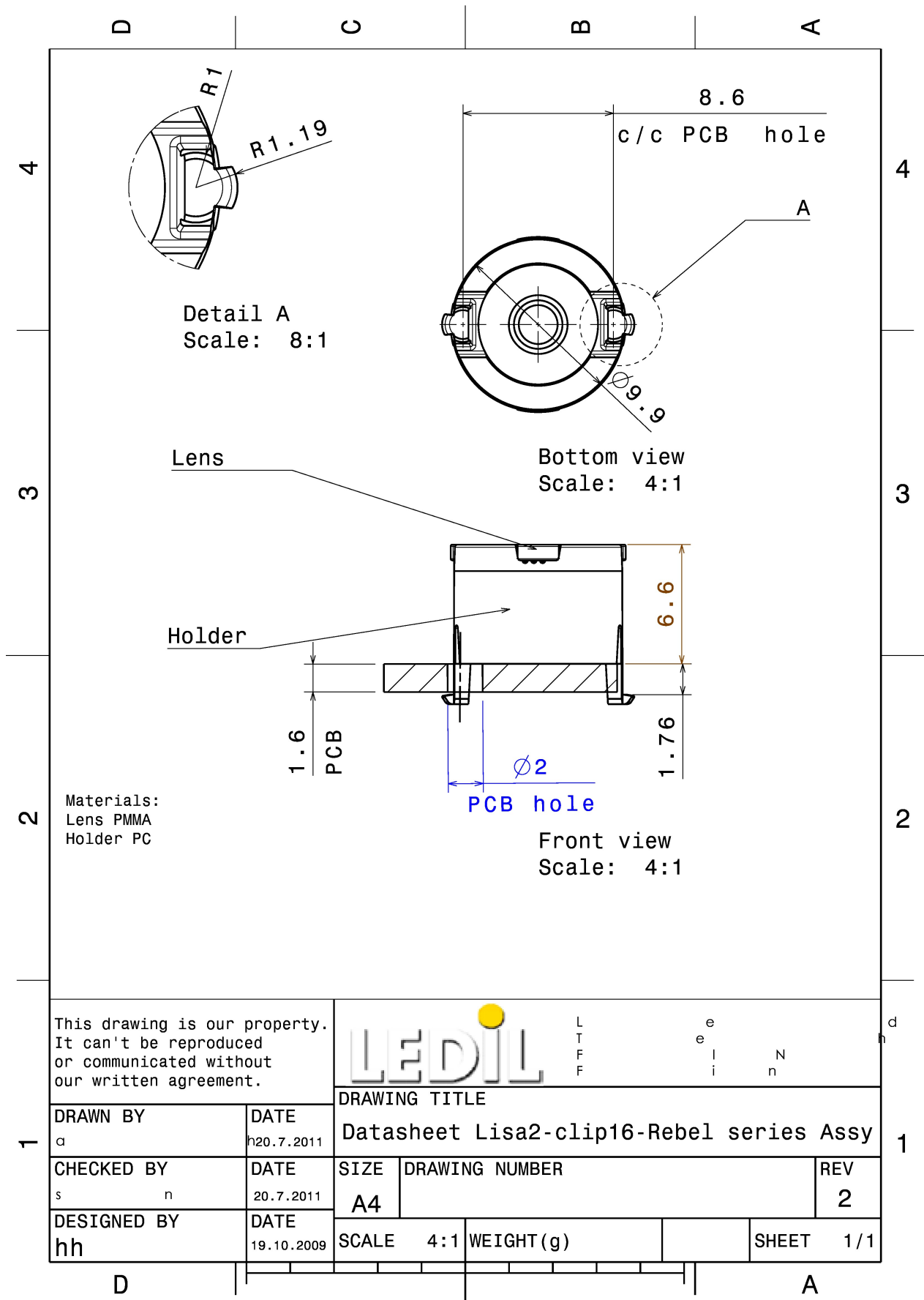


### MATERIALS:

Component	Type	Material	Colour	Finish
LISA2-WWW	Single lens	PMMA	clear	
LISA2-HLD-CLIP16-RE	Holder	PC	black	

### ORDERING INFORMATION:

Component	Type	Qty in box	MOQ	MPQ	Box weight (kg)
FP11952_LISA2-WWW-CLIP	Single lens	2000	300	100	1.4
» Box size:					



This drawing is our property. It can't be reproduced or communicated without our written agreement.



DRAWN BY a		DATE 20.7.2011	DRAWING TITLE Datasheet Lisa2-clip16-Rebel series Assy		
CHECKED BY s n	DATE 20.7.2011	SIZE A4	DRAWING NUMBER		REV 2
DESIGNED BY hh	DATE 19.10.2009	SCALE 4:1	WEIGHT (g)	SHEET 1/1	

See also our general installation guide: [www.ledil.com/installation\\_guide](http://www.ledil.com/installation_guide)

## OPTICAL RESULTS (MEASURED):

### LUMILEDS

LED LUXEON Rebel  
FWHM / FWTM 80.0°  
Efficiency 79 %  
LEDs/each optic 1  
Light colour White  
Required components:

### NICHIA

LED NCSxx19A  
FWHM / FWTM 76.0° / 118.0°  
Efficiency 79 %  
Peak intensity 0.5 cd/lm  
LEDs/each optic 1  
Light colour White  
Required components:

### NICHIA

LED NVSxx19A  
FWHM / FWTM 80.0° / 125.0°  
Efficiency 79 %  
Peak intensity 0.4 cd/lm  
LEDs/each optic 1  
Light colour White  
Required components: