

LISA2-WWW-CLIP

~80° wide beam optimized for 3535 size LED packages. 6.6 mm high variant with clip installation.

SPECIFICATION:

| | |
|----------------|-------------|
| Dimensions | Ø 9.9 mm |
| Height | 6.6 mm |
| Fastening | glue, clips |
| ROHS compliant | yes ⓘ |

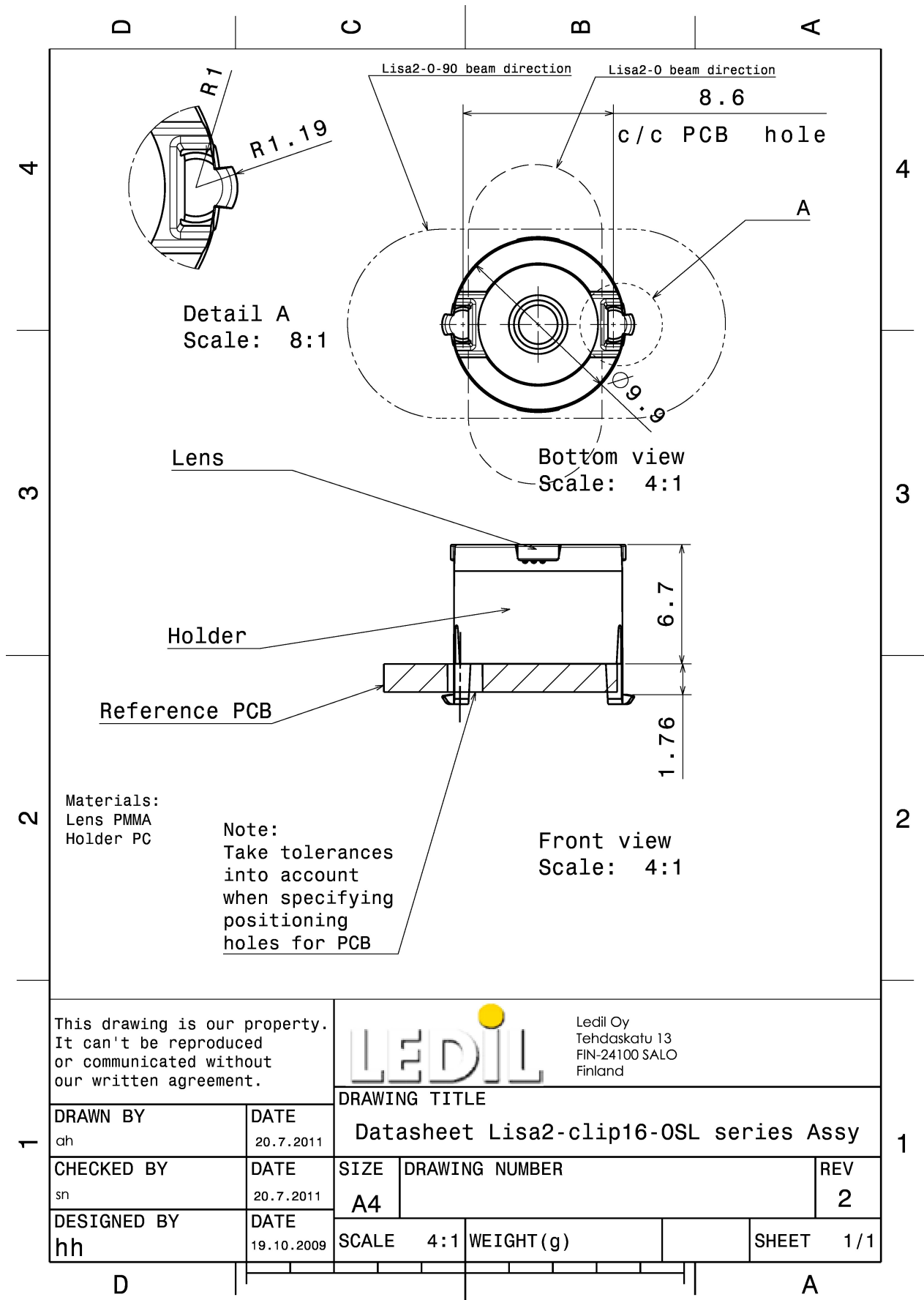


MATERIALS:

| Component | Type | Material | Colour | Finish |
|--------------------|-------------|----------|--------|--------|
| LISA2-WWW | Single lens | PMMA | clear | |
| LISA2-HLD-CLIP-OSL | Holder | PC | black | |

ORDERING INFORMATION:

| Component | Qty in box | MOQ | MPQ | Box weight (kg) |
|---------------------------------------|-------------|-----|-----|-----------------|
| FP11958_LISA2-WWW-CLIP » Box size: | Single lens | 300 | 100 | 1.4 |



| | | | | | |
|---|--|---------------------------|--|--|--|
| This drawing is our property. It can't be reproduced or communicated without our written agreement. | | LEDiL | | Ledil Oy Tehdaskatu 13 FIN-24100 SALO Finland | |
| DRAWING TITLE | | | | | |
| DRAWN BY ch | | DATE 20.7.2011 | | Datasheet Lisa2-clip16-OSL series Assy | |
| CHECKED BY sn | | DATE 20.7.2011 | | REV 2 | |
| DESIGNED BY hh | | DATE 19.10.2009 | | SCALE 4:1 | |
| | | WEIGHT (g) | | SHEET 1/1 | |

See also our general installation guide: www.ledil.com/installation_guide

OPTICAL RESULTS (MEASURED):

OSRAM
Opto Semiconductors

| | |
|----------------------|---------------|
| LED | OSLON SSL 150 |
| FWHM / FWTM | 94.0° |
| Efficiency | 70 % |
| Peak intensity | 0.4 cd/m |
| LEDs/each optic | 1 |
| Light colour | White |
| Required components: | |

OPTICAL RESULTS (SIMULATED):

LUMILEDS

| | |
|----------------------|-------------------|
| LED | LUXEON IR Compact |
| FWHM / FWTM | 91.0° / 140.0° |
| Efficiency | 76 % |
| LEDs/each optic | 1 |
| Light colour | White |
| Required components: | |

OSRAM Opto Semiconductors

| | |
|----------------------|---------------|
| LED | SFH 4770S |
| FWHM / FWTM | 55.0° / 99.0° |
| Efficiency | 96 % |
| LEDs/each optic | 1 |
| Light colour | White |
| Required components: | |