

LISA3CSP-O-90-CLIP16

~15° x 50° oval beam with clip installation.
Variant with beam direction rotated 90°.

TECHNICAL SPECIFICATIONS:

Dimensions	Ø 10.0 mm
Height	7.2 mm
Fastening	clips
ROHS compliant	yes ⓘ

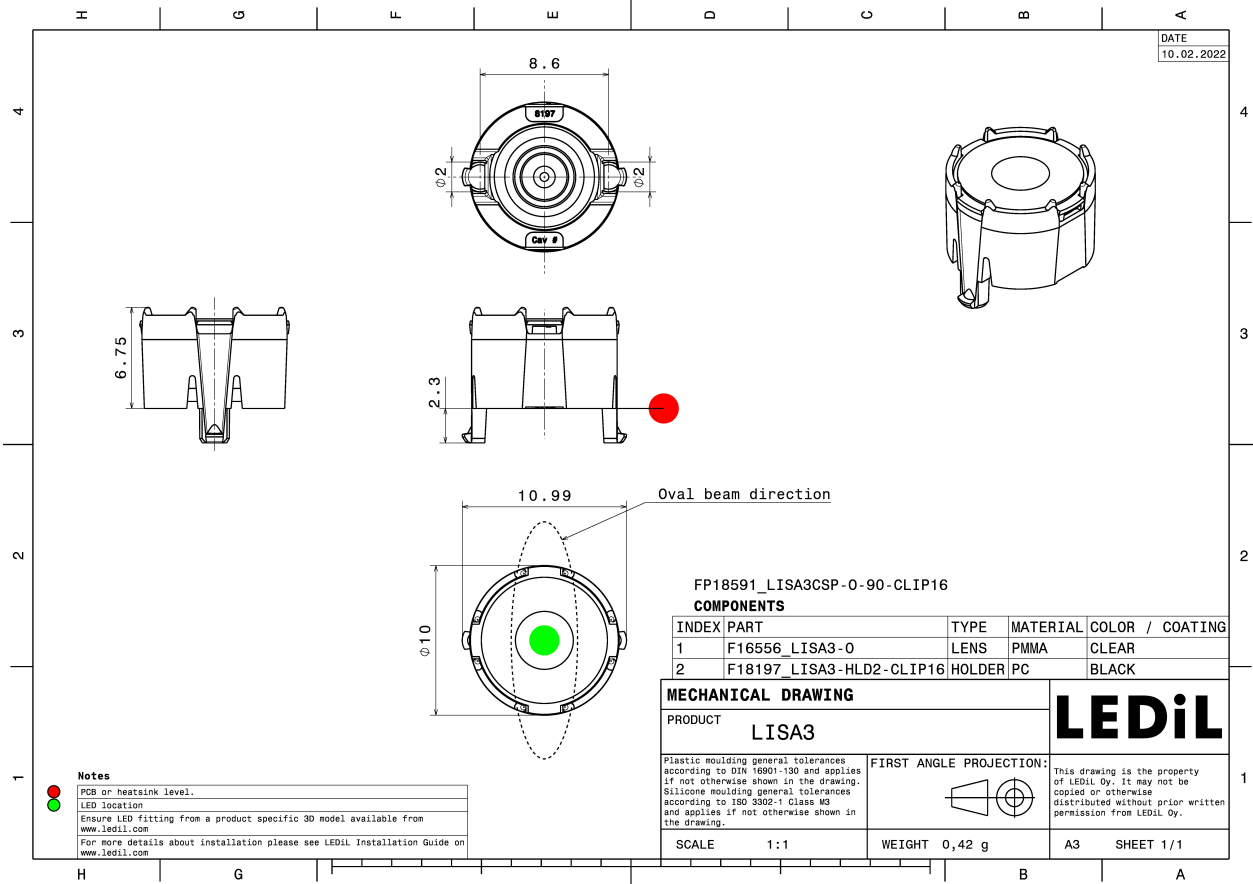


MATERIAL SPECIFICATIONS:

Component	Type	Material	Colour	Finish
LISA3-O	Single lens	PMMA	clear	
LISA3-HLD2-CLIP16	Holder	PC	black	

ORDERING INFORMATION:

Component	Type	Qty in box	MOQ	MPQ	Box weight (kg)
FP18591_LISA3CSP-O-90-CLIP16	Single lens	2000	300	100	1.2
» Box size: 310 x 230 x 60 mm					

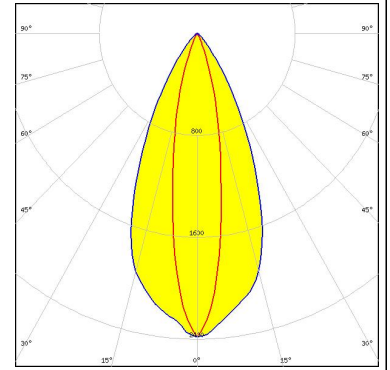


See also our general installation guide: www.ledil.com/installation_guide

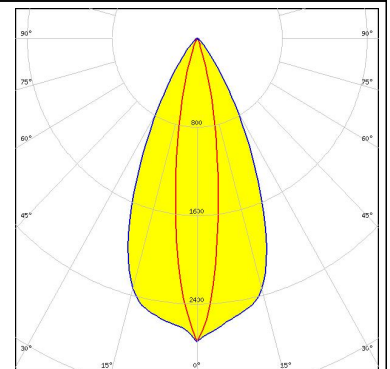
PHOTOMETRIC DATA (SIMULATED):



LED NCSxE17A
FWHM / FWTM 19.0 + 48.0° / 42.0 + 78.0°
Efficiency 81 %
Peak intensity 2.4 cd/lm
LEDs/each optic 1
Light colour White
Required components:



LED LH151B
FWHM / FWTM 16.0 + 48.0° / 36.0 + 75.0°
Efficiency 85 %
Peak intensity 2.7 cd/lm
LEDs/each optic 1
Light colour White
Required components:



LED LH181B
FWHM / FWTM 26.0 + 46.0° / 53.0 + 82.0°
Efficiency 82 %
Peak intensity 1.9 cd/lm
LEDs/each optic 1
Light colour White
Required components:

