

## LISA3-O-90-CLIP16

~15° + 50° oval beam with clip installation. Lens rotated 90°.

### TECHNICAL SPECIFICATIONS:

Dimensions	Ø 10.0 mm
Height	7.9 mm
Fastening	clips
ROHS compliant	yes ⓘ

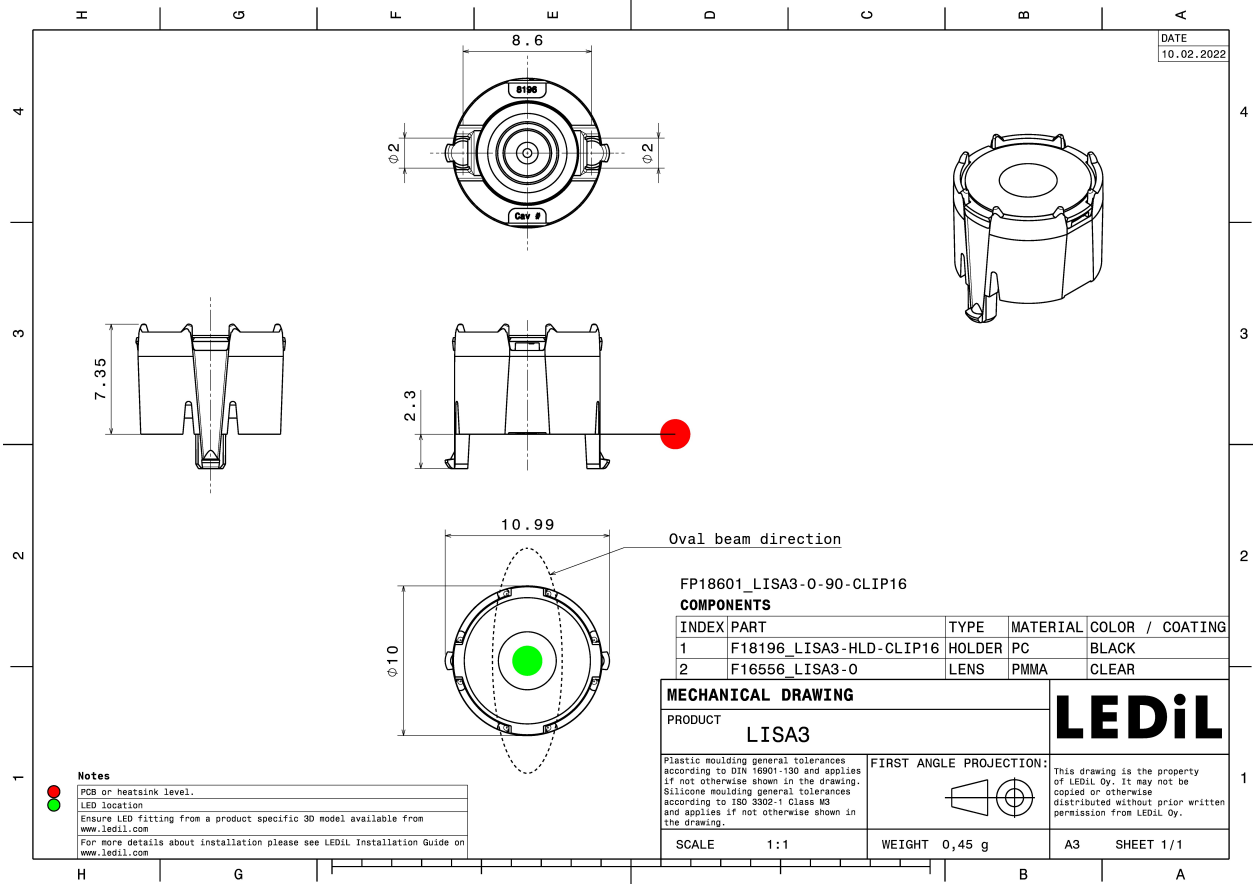


### MATERIAL SPECIFICATIONS:

Component	Type	Material	Colour	Finish
LISA3-O	Single lens	PMMA	clear	
LISA3-HLD-CLIP16	Holder	PC	black	

### ORDERING INFORMATION:

Component		Qty in box	MOQ	MPQ	Box weight (kg)
FP18601_LISA3-O-90-CLIP16	Single lens	2000	300	100	1.3
» Box size: 310 x 230 x 60 mm					

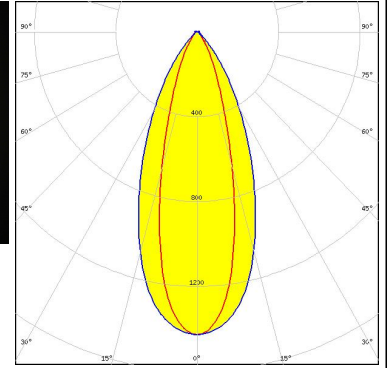
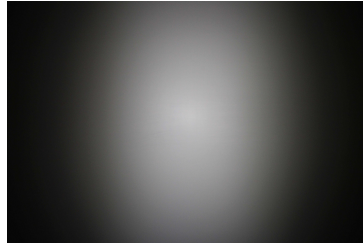


See also our general installation guide: [www.ledil.com/installation\\_guide](http://www.ledil.com/installation_guide)

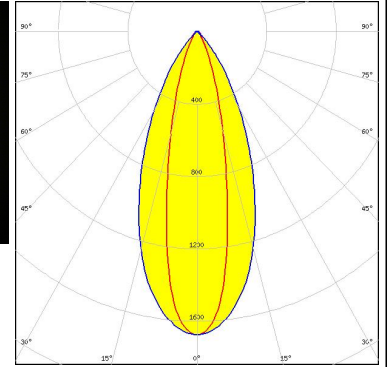
#### PHOTOMETRIC DATA (MEASURED):



LED XP-G3  
 FWHM / FWTM 29.0 + 45.0° / 59.0 + 81.0°  
 Efficiency 71 %  
 Peak intensity 1.4 cd/lm  
 LEDs/each optic 1  
 Light colour White  
 Required components:



LED XT-E  
 FWHM / FWTM 24.0 + 45.0° / 51.0 + 80.0°  
 Efficiency 71 %  
 Peak intensity 1.7 cd/lm  
 LEDs/each optic 1  
 Light colour White  
 Required components:

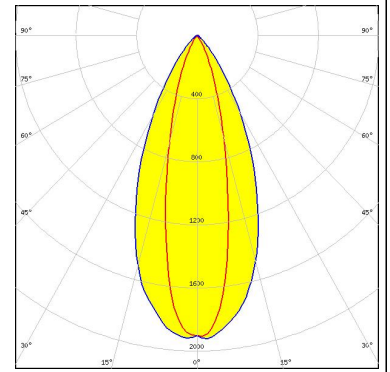


#### PHOTOMETRIC DATA (SIMULATED):

#### OSRAM

Opto Semiconductors

LED OSLOM Square CSSRM2/CSSRM3  
FWHM / FWTM 24.0 + 47.0° / 52.0 + 80.0°  
Efficiency 82 %  
Peak intensity 1.9 cd/lm  
LEDs/each optic 1  
Light colour White  
Required components:



#### SAMSUNG

LED LM101B  
FWHM / FWTM 16.0 + 50.0° / 32.0 + 75.0°  
Efficiency 80 %  
Peak intensity 2.5 cd/lm  
LEDs/each optic 1  
Light colour White  
Required components:

