

LISA3-O2-CLIP16

~20° x 35° oval beam with clip installation

TECHNICAL SPECIFICATIONS:

Dimensions	Ø 10.0 mm
Height	6.9 mm
Fastening	snaps
ROHS compliant	yes ⓘ

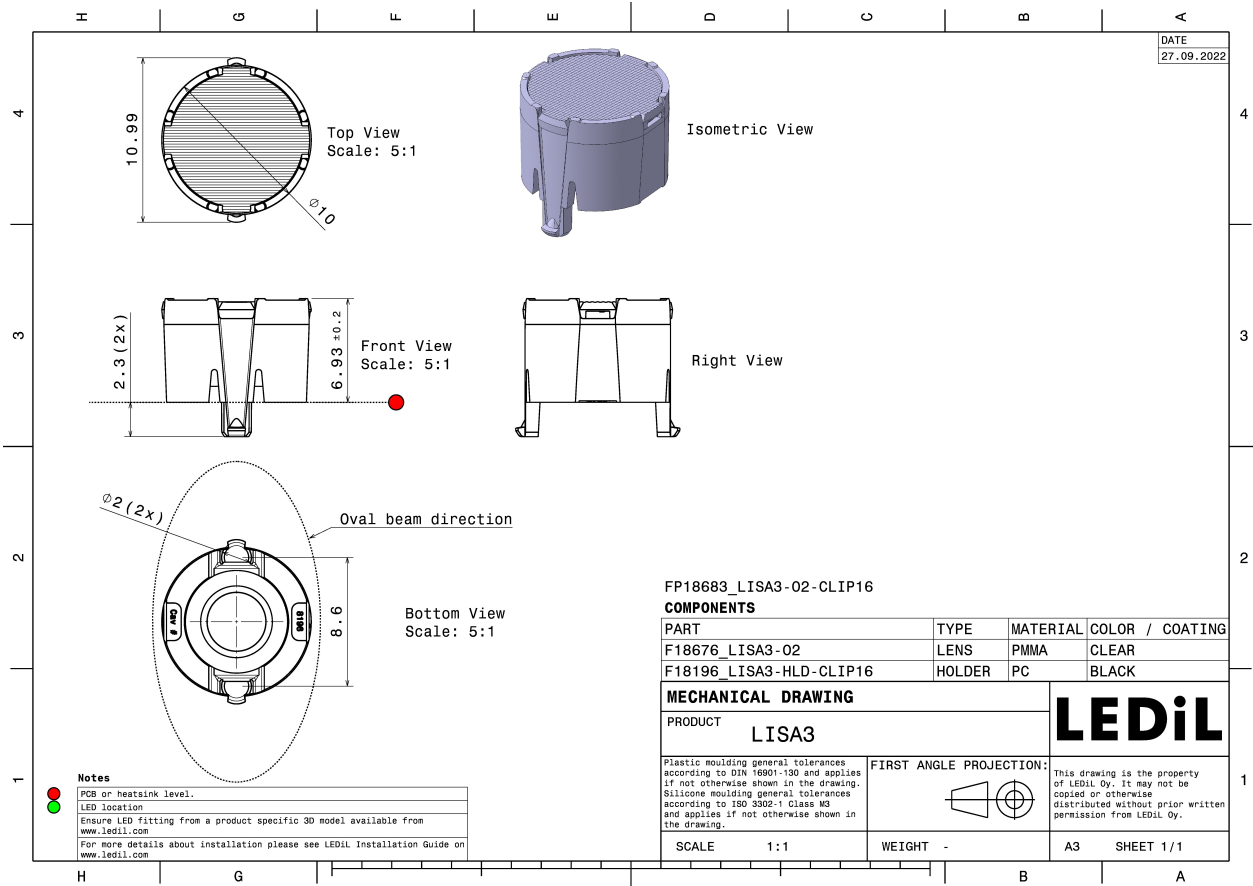
MATERIAL SPECIFICATIONS:

Component	Type	Material	Colour	Finish
LISA3-O2	Single lens	PMMA	clear	
LISA3-HLD-CLIP16	Holder	PC	black	



ORDERING INFORMATION:

Component	Qty in box	MOQ	MPQ	Box weight (kg)
FP18683_LISA3-O2-CLIP16 » Box size: 310 x 230 x 60 mm	2000	300	100	1.3



See also our general installation guide: www.ledil.com/installation_guide

PHOTOMETRIC DATA (MEASURED):



LED XT-E
FWHM / FWTM 34.5 + 22.0° / 65.5 + 45.5°
Efficiency 81 %
Peak intensity 2.6 cd/lm
LEDs/each optic 1
Light colour White
Required components:

