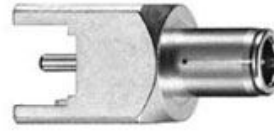


## SUMMARY

### # Wires

Coax 1



*Image is for illustrative purpose only*

Series 01  
Termination type Male print PCB  
IP rating 50  
AWG wire size 0.00 - 0.00  
Cable Ø 0.00 - 0.00 mm  
Status active

### Download

[Request a quote](#)  
[PCB Eagle Pattern](#)  
[PCB Altium Pattern](#)  
[PCB KiCad Pattern](#)  
[Catalog](#)

## TECHNICAL DETAILS

### Mechanics

Shell Style/Model FPA.01\*: Straight plug, non-latching, for printed circuit  
Keying Circular, male  
Housing Material Brass (gold plated [ISO 27874]) shell, collet nut, brass latch sleeve and mid pieces  
Weight 1.43 g

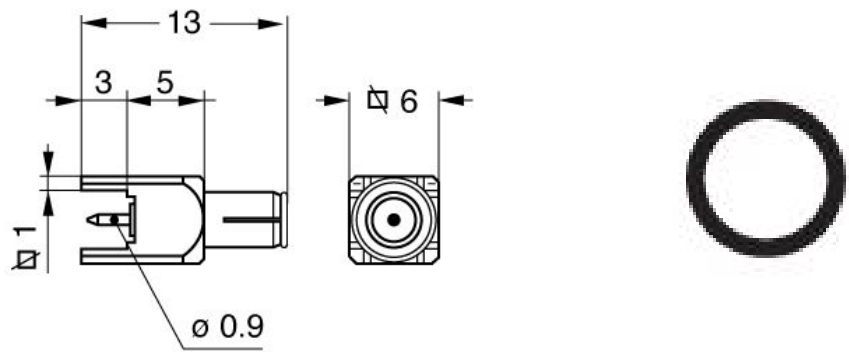
### Performance

Configuration 01.250 : 1 Coax (50 Ohm)  
Insulator  
Rated Current

### Others

Endurance (Shell): 1000 mating cycles

# DRAWINGS



## Dimensions

	A	K	L	N
mm.	6	3	13	5
in.	0,24	0,12	0,51	0,20

---

# RECOMMENDED BY LEMO

## Tools

*LEMO products and services are provided "as is". LEMO makes no warranties or representations with regard to LEMO product & services or use of them, express, implied or statutory, including for accuracy, completeness, or security. The user is fully responsible for his products and applications using LEMO components.*