

FPC-7702/7701

Robust Box PC with Intel® Sandy Bridge / Ivy Bridge Platform



Features

- **Fanless Design**
- Wide Range DC Power Input (9 ~36V)
- Support iAMT Function
- Support Various Video Interfaces (DVI-I + DVI-D)
- Support Optional WiFi or HSUPA Wireless Connectivity
- Rugged Design for Shock/Vibration Protection
- Memory Support up to 16GB (DDR3)
- Intel® SSD Compatible

System

CPU	Support Intel® 2nd & 3rd generation Core™ i7/i5/i3 or Celeron® processors in rPGA988 socket
Memory	2 x 204-pin DDR3 SO-DIMM sockets, supporting 1333/1600MHz SDRAM up to 16GB
Chipset	Intel® QM77
Graphics	Integrated Intel® HD 4000
ATA	2 x Serial ATA ports with RAID 0/1 support 2 x eSATA
LAN Chipset	2 x Intel® WG82583V GbE controllers 1 x Intel® WG82579LM GbE PHY w/ iAMT
Watchdog Timer	1~255 levels reset

I/O

Serial Port	1 x DB-44 female connector COM1/2 are RS-232 COM3/4 are RS-232/422/485 selectable, w/ 2.5kv isolated protection
USB Port	6 x USB 2.0 ports, 4 x USB 3.0/ 2.0 ports 2 x internal USB dongle for software license key (optional)
LAN	3 x RJ-45 ports for GbE
Video Port	1 x DVI-I female connector for Digital/ Analog Video output 1 x DVI-D female connector for Digital Video output
Selectable Port	1 x DB25 connector for 1 x DIO (8 in/8 out) port or 1 x LPT port (either one) DIO by default, can be changed to LPT
Audio	Mic-in/Line-out
Expansion Bus	1 x Mini-card slot interconnected with SIM card socket for optional WiFi or HSUPA module 1 x SIM socket/1 x CFAST socket (outside accessible) 1 x PCIe x16 slot + 1 x PCI slot (FPC-7701) 1 x PCIe x16 slot + 1 x PCIe x8 slot (via x4 lanes) (FPC-7702)

Environmental

Operating Temp.	-20 ~ 55°C (-4 ~ 131°F), ambient w/ air flow
Storage Temp.	-40 ~ 85°C (-40 ~ 185°F)

Operating Humidity	10 ~ 95% @ 55°C (non-condensing)
Vibration	3 Grms/5~500Hz/random operation w/ SSD Operating 40G (11ms), Non-operating 60G with SSD
Shock	Crash 100G, 11ms

Qualification

Certification	CE, FCC Class A
----------------------	-----------------

Power Requirement

Power Input	DC 9~36V input w/ 4-pin terminal block
Power Consumption	3.51A/19V, 67W (i7-3610QE)

Storage

Type	2 x 2.5" drive bays 1 x CFAST socket
-------------	---

Mechanical

Construction	Aluminum alloy
Mounting	Support wall-mounting
Weight	7 kg (15.43 lb)
Dimensions (W x D x H)	225 x 267 x 120 mm

OS Support

Windows XP Professional / Windows Embedded Professional 7 / Windows Embedded Standard 7

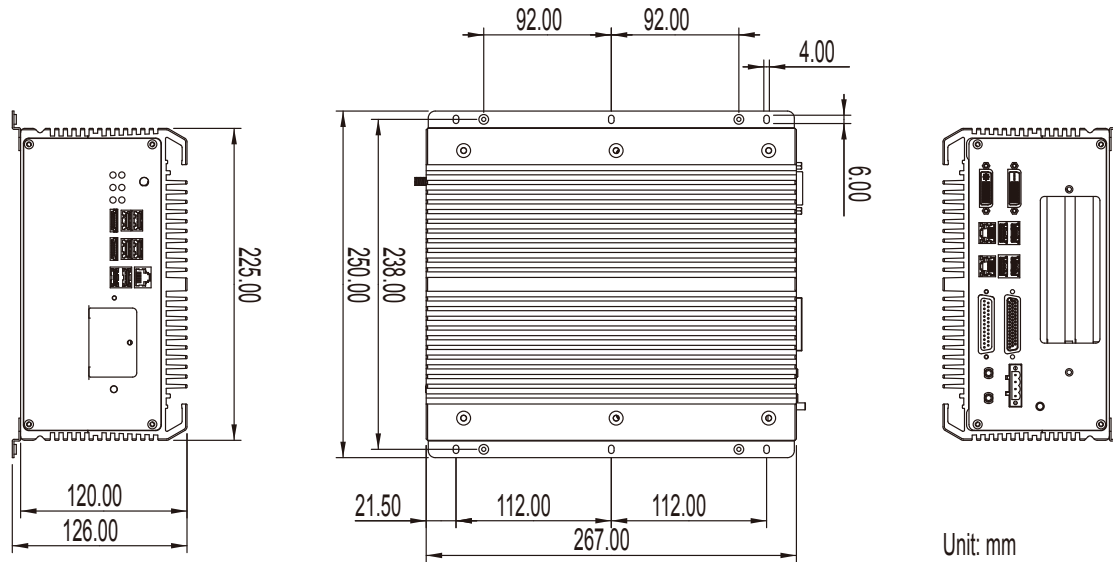
Ordering Information

FPC-7702	Fanless system w/ 1 x PCIe x8 + 1 x PCIe x16
FPC-7701	Fanless system w/ 1 x PCI + 1 x PCIe x16



All specifications are subject to change without notice.

Dimensions



Optional Accessories

PAC-B120W-FSP 19V/6.32A 120W AC/DC adapter kit



CBL-7100-COM 4 x COM ports converter cable

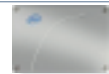


WMK-7000 Wall-mount kit for FPC-7XXX Series

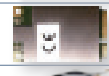


Optional Configuration (CTOS* Kit)

SSD-25040 Intel® 2.5" 40GB SATAII SSD kit



HSPA-SI1400 HSUPA 3.75G module kit & internal wiring



WIFI-IN1300 Intel® Centrino® Advanced-N 6205 WiFi module w/ 20cm internal wiring



ANT-H11 1 x 2dBi HSUPA antenna



ANT-D11 1 x WiFi Dual-band 2.4G/5G antenna



Core™ i3-3120ME Intel® 3rd Gen. Core™ i3-3120ME processor, L2/3M, 2.4G

Core™ i5-3610ME Intel® 3rd Gen. Core™ i5-3610ME processor, L2/3M, 2.7G

Core™ i7-3610QE Intel® 3rd Gen. Core™ i7-3610QE processor, L2/6M, 2.3G



MK-3C-4G-1 DDR3-1333 4GB SDRAM DIMM1 kit

MK-3C-4G-2 DDR3-1333 4GB SDRAM DIMM2 kit

MK-3C-8G-1 DDR3-1600 8GB SDRAM DIMM1 kit

MK-3C-8G-2 DDR3-1600 8GB SDRAM DIMM2 kit



UDK-7702 Internal USB dongle kit for FPC-7701/7702



*CTOS means Configure to Order Service.