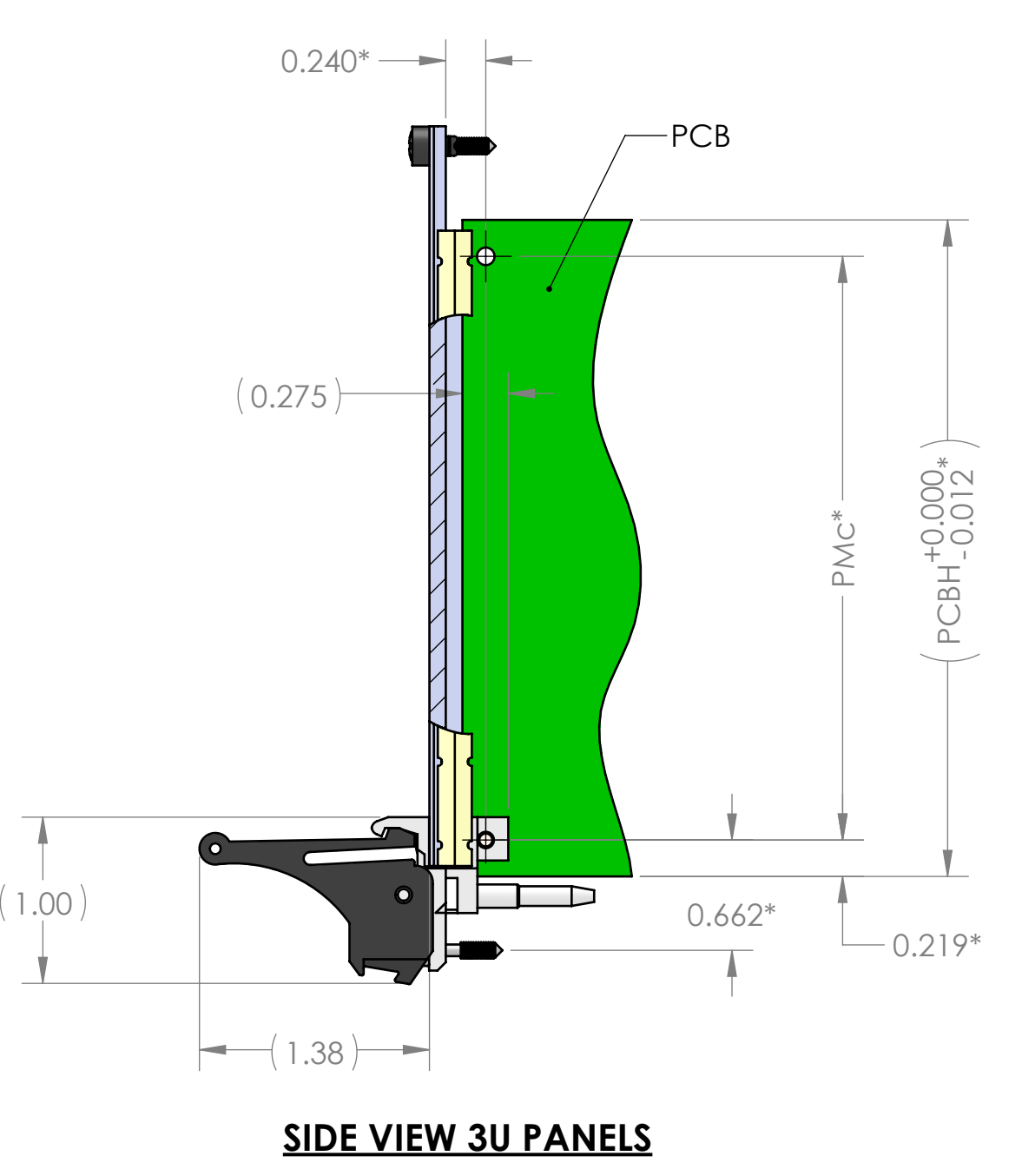
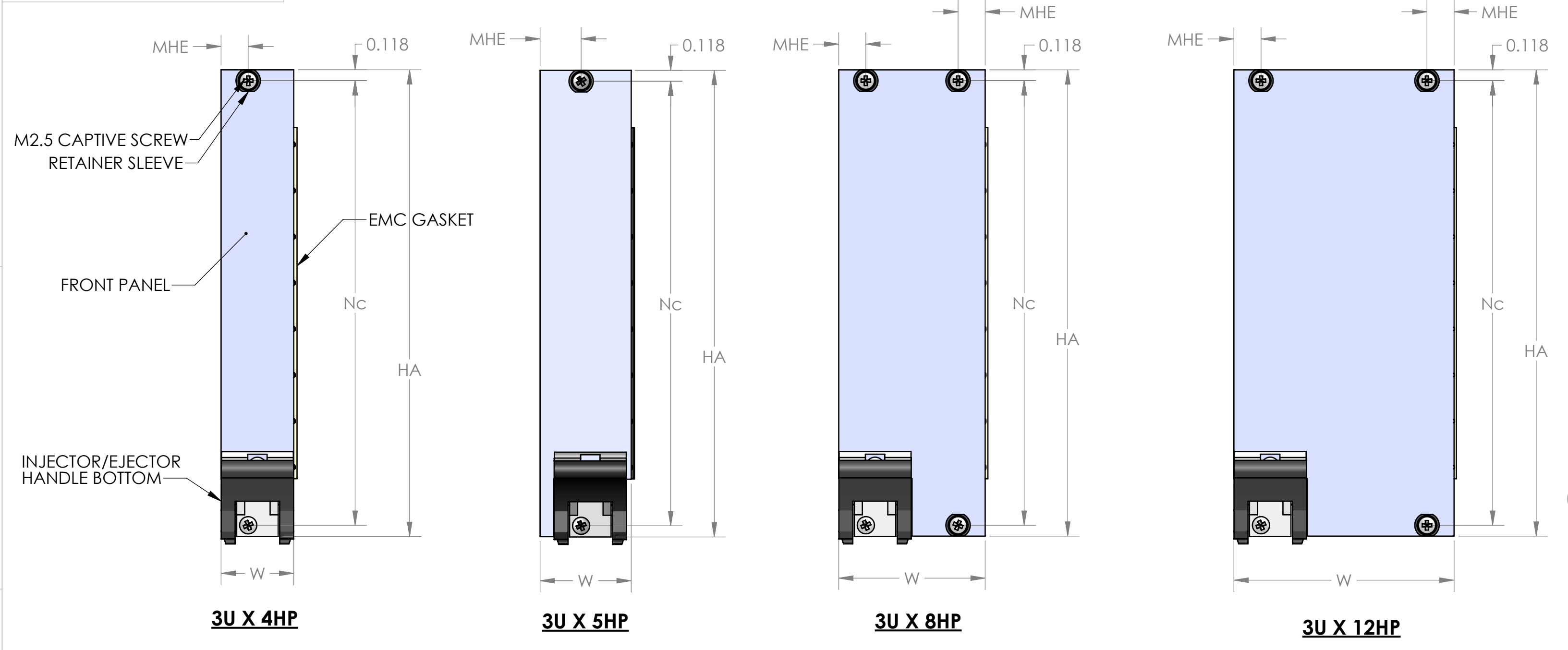


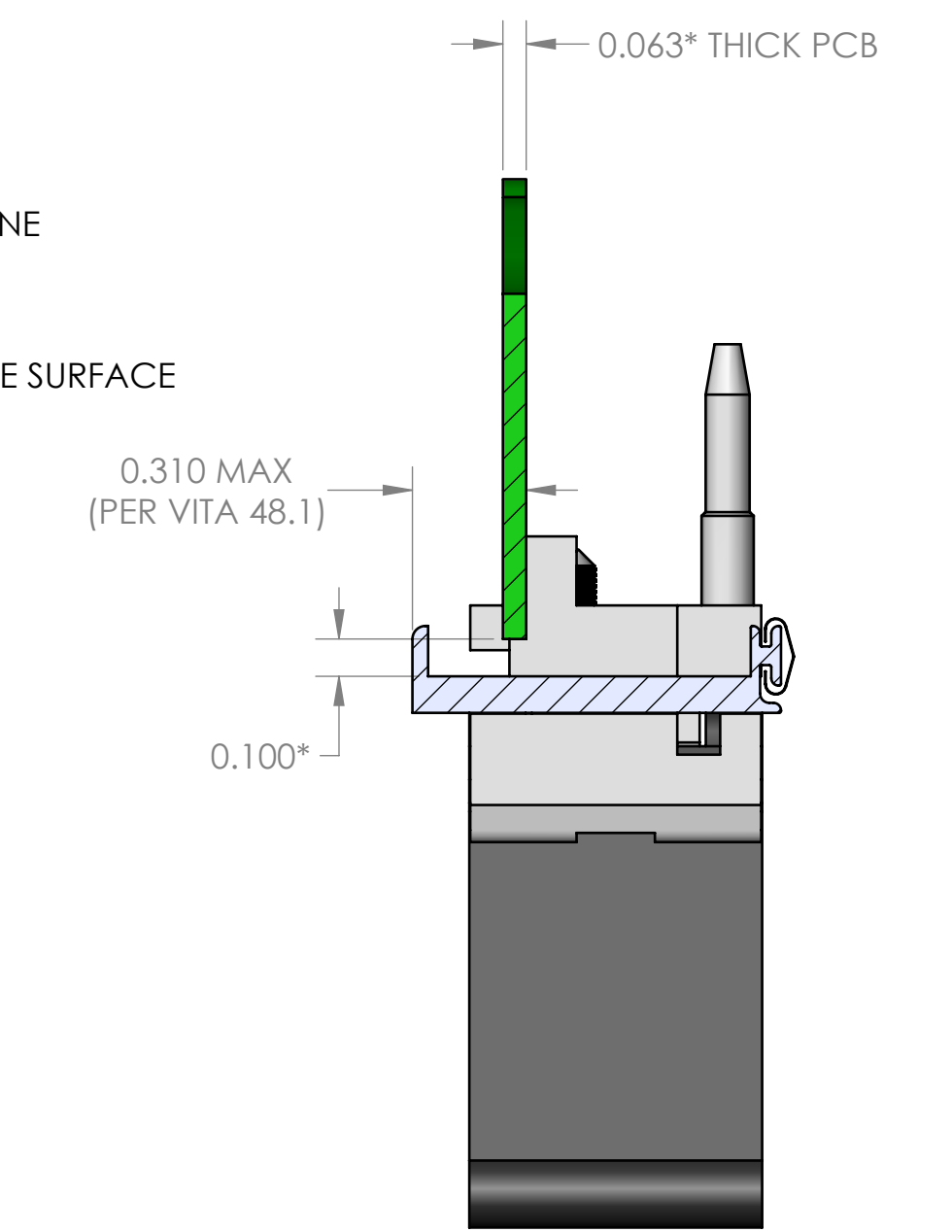
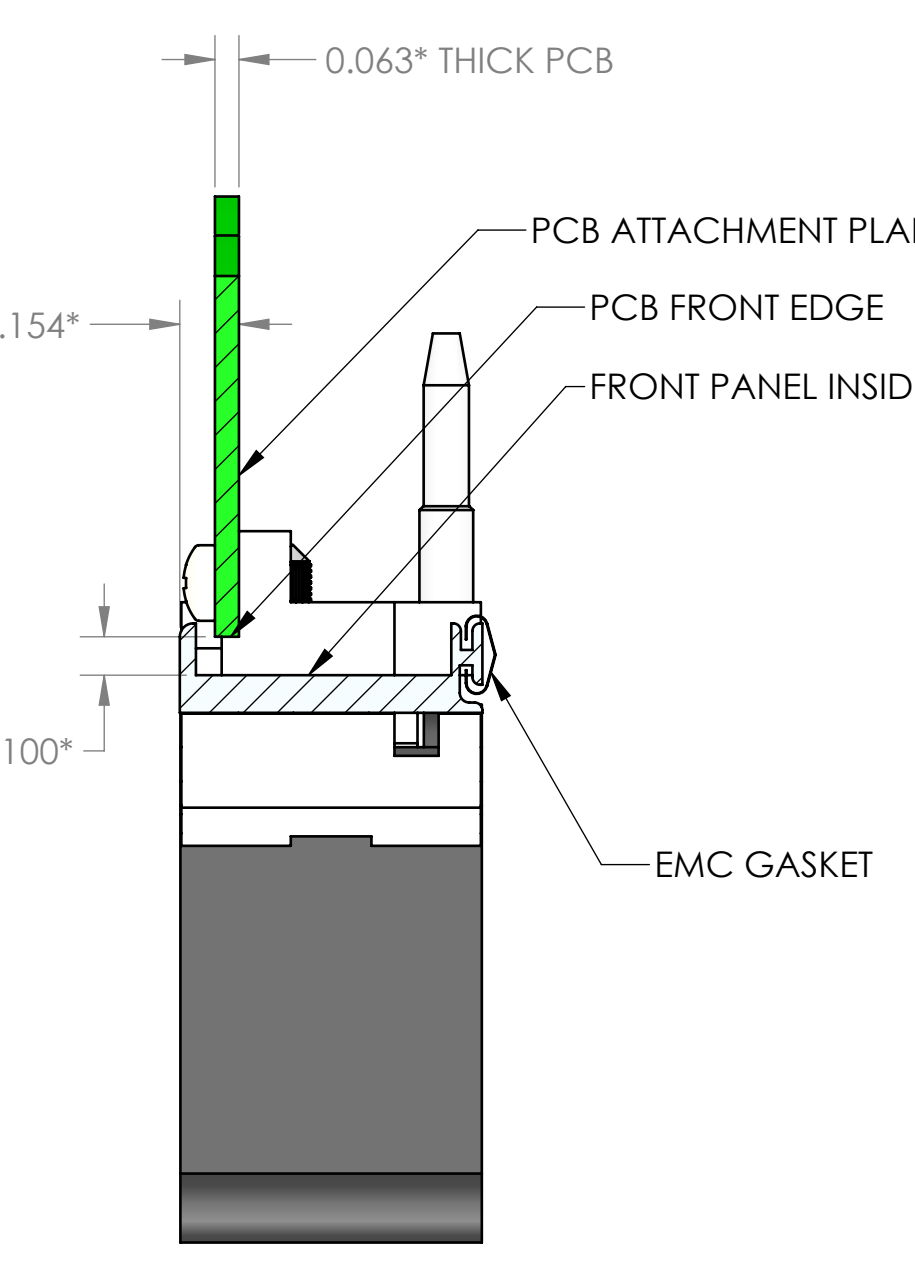
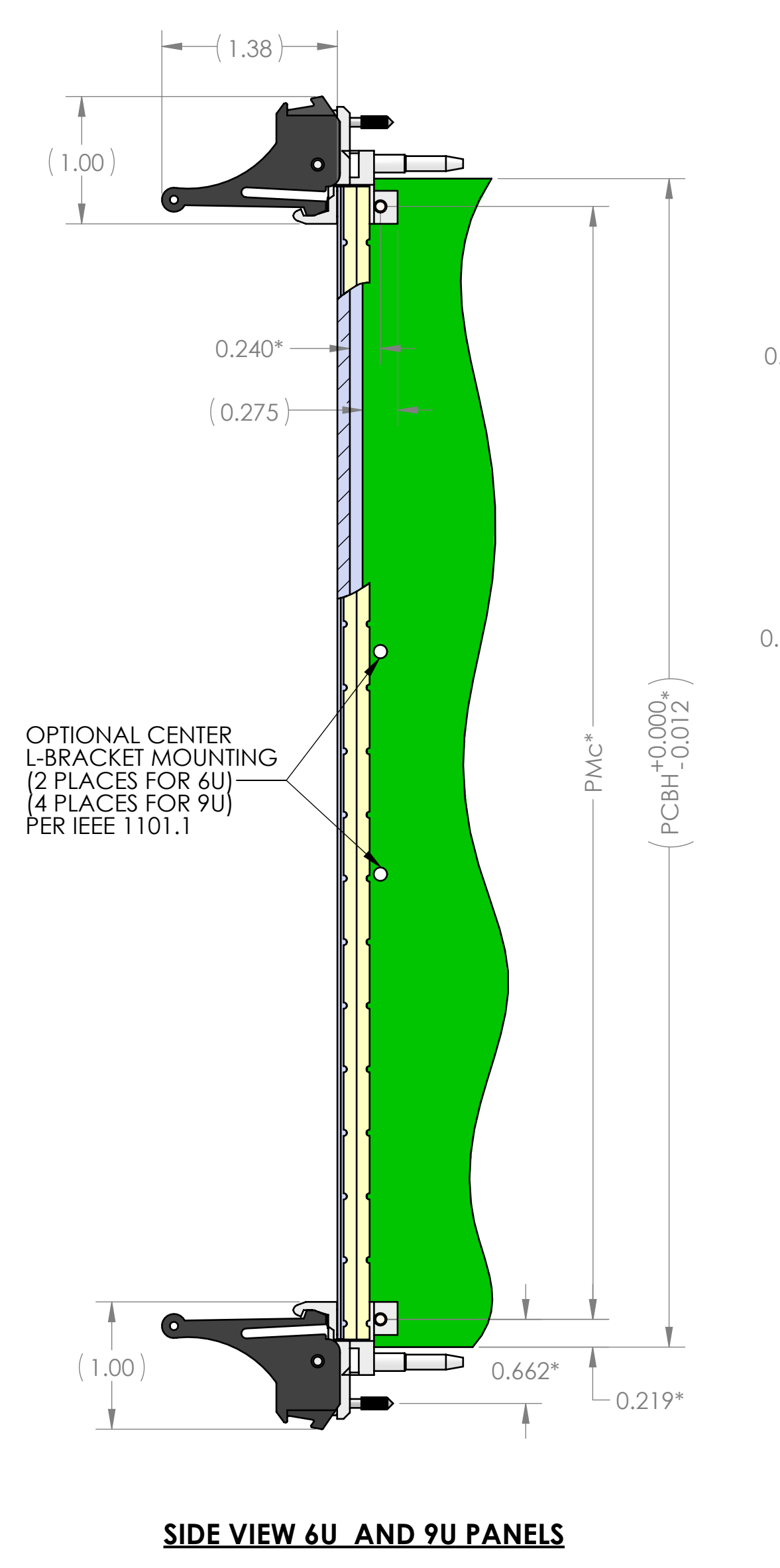
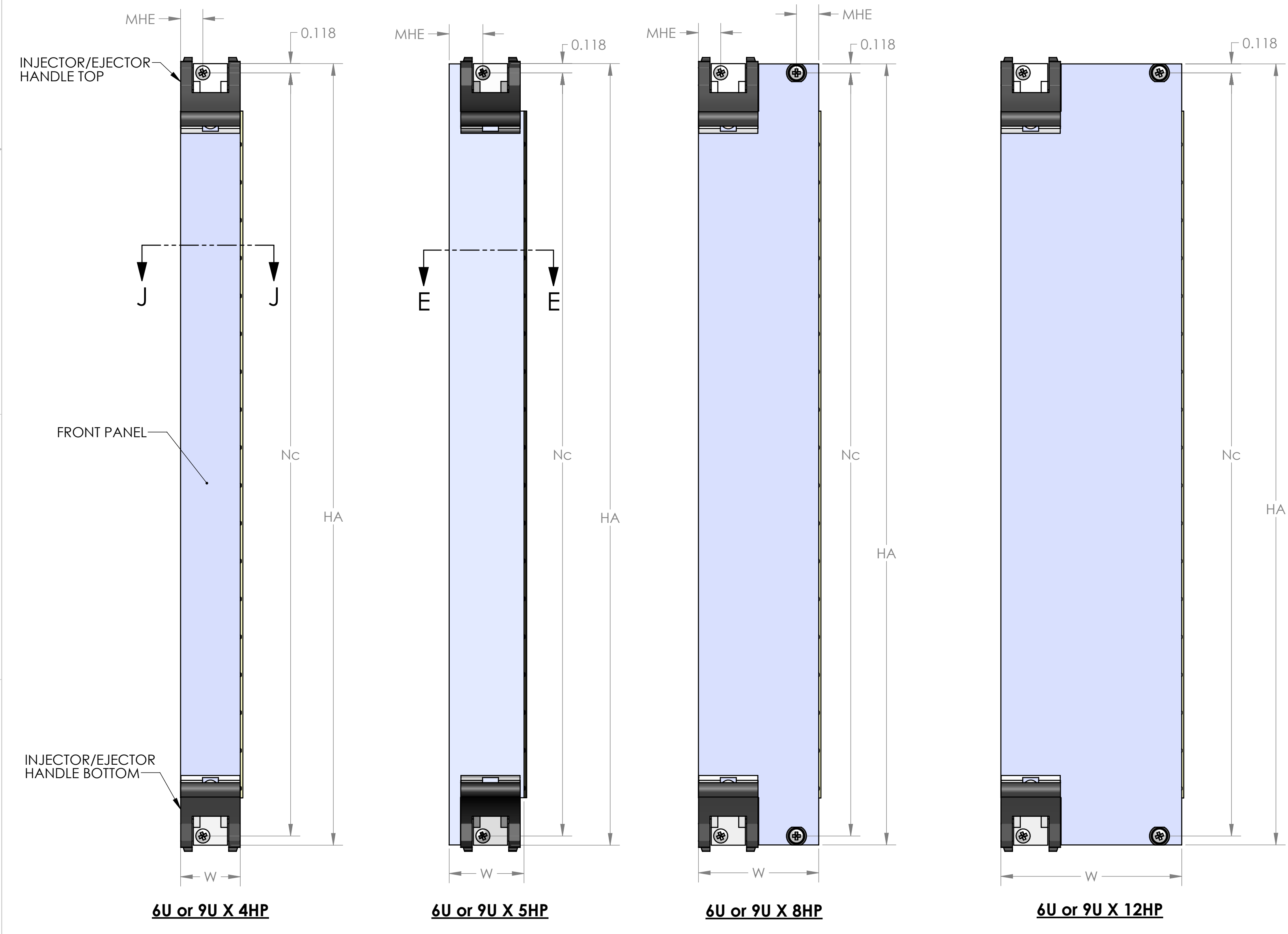
PROPRIETARY AND CONFIDENTIAL  
 THE INFORMATION CONTAINED IN THIS DRAWING IS THE SOLE PROPERTY OF VECTOR ELECTRONICS & TECHNOLOGY, INC. ANY REPRODUCTION IN PART OR AS A WHOLE WITHOUT THE WRITTEN PERMISSION OF VECTOR ELECTRONICS & TECHNOLOGY, INC. IS PROHIBITED.

ZONE		REV	DESCRIPTION	DATE	APPROVED
ALL	A		INITIAL RELEASE	02/23/15	
SHEET 2	B		SHEET 2, DIM "A" FOR 3U X 4HP AND 4U OR 9U X 4HP, WAS NOTED AS DIM "H"	04/01/15	



- NOTES:  
 1. FRONT PANELS ARE SHOWN WITH TYPE IV INJECTOR/EJECTOR HANDLES  
 2. TOP/BOTTOM INJECTOR/EJECTOR HANDLES AND PCB SHOWN FOR REFERENCE ONLY. NOT PART OF FRONT PANEL KIT  
 3. \* INDICATES DIMENSIONS PER IEEE 1101.10  
 4. HEIGHT DIM "H" INCLUDES TYPE IV HANDLE'S KEYING BRACKET

PART NO	DESCRIPTION	HA	WA	Nc	MHE	PMC	PCBH
FP52B4HP-1	3U X 4HP	5.059	0.788	4.823	0.294	3.500	3.937
FP52B5HP-1	3U X 5HP		0.988		0.445		
FP52B8HP-1	3U X 8HP		1.588		0.294		
FP52B12HP-1	3U X 12HP		2.388		0.294		
FP10B4HP-1	6U X 4HP	10.309	0.788	10.073	0.294	8.750	9.187
FP10B5HP-1	6U X 5HP		0.988		0.445		
FP10B8HP-1	6U X 8HP		1.588		0.294		
FP10B12HP-1	6U X 12HP		2.388		0.294		
FP15B4HP-1	9U X 4HP	15.559	0.788	15.323	0.294	14.000	14.437
FP15B5HP-1	9U X 5HP		0.988		0.445		
FP15B8HP-1	9U X 8HP		1.588		0.294		
FP15B12HP-1	9U X 12HP		2.388		0.294		



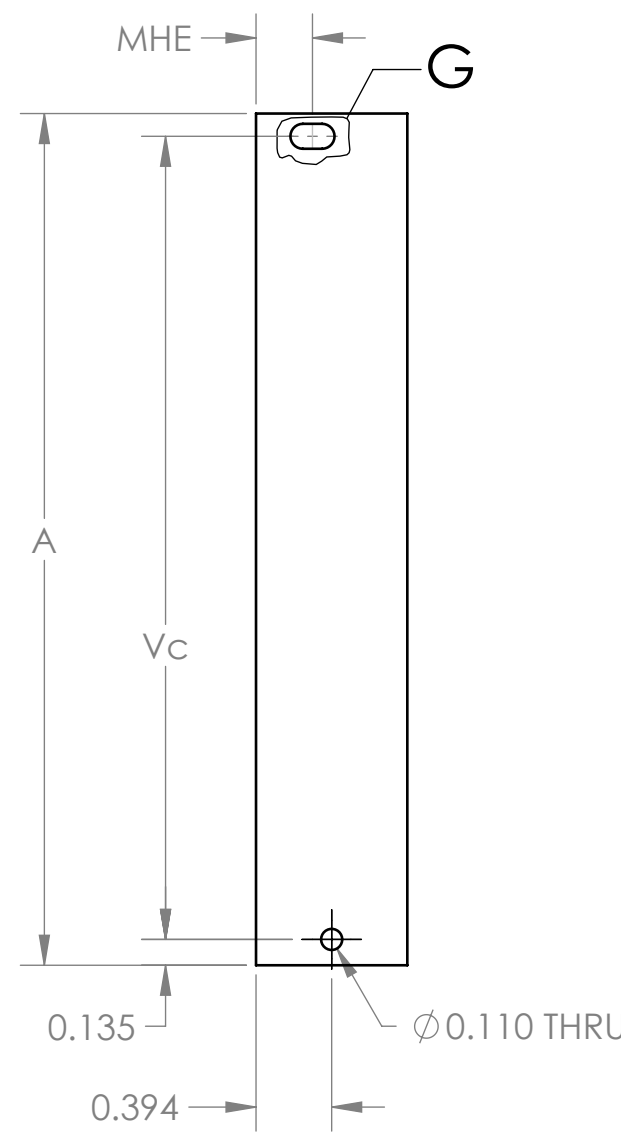
UNLESS OTHERWISE SPECIFIED:  
 DIMENSIONS ARE IN INCHES  
 TOLERANCES:  
 DEC. X.X ±0.1  
 DEC. X.XX ±0.03  
 DEC. X.XXX ±0.010  
 FRACTIONS ±0.050  
 ANGLES ±1°  
 THIRD ANGLE PROJECTION

DRAWN	TRISHAR	DATE	02/23/15
CHECKED			
ENG APPR.			
MFG APPR.			
Q.A.			

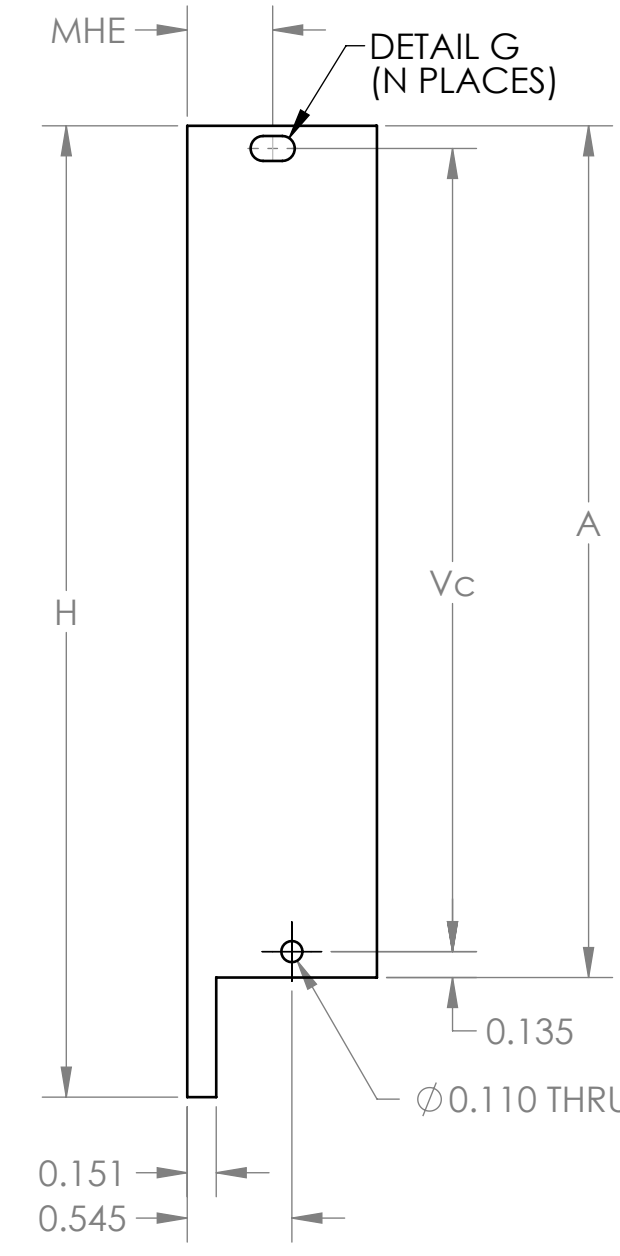
**VECTOR** ELECTRONICS & TECHNOLOGY, INC. 81115 VANOWEN ST., NORTH HOLLYWOOD, CA 91365  
 www.vectorlect.com

**EMC FRONT PANEL, 1101.10**

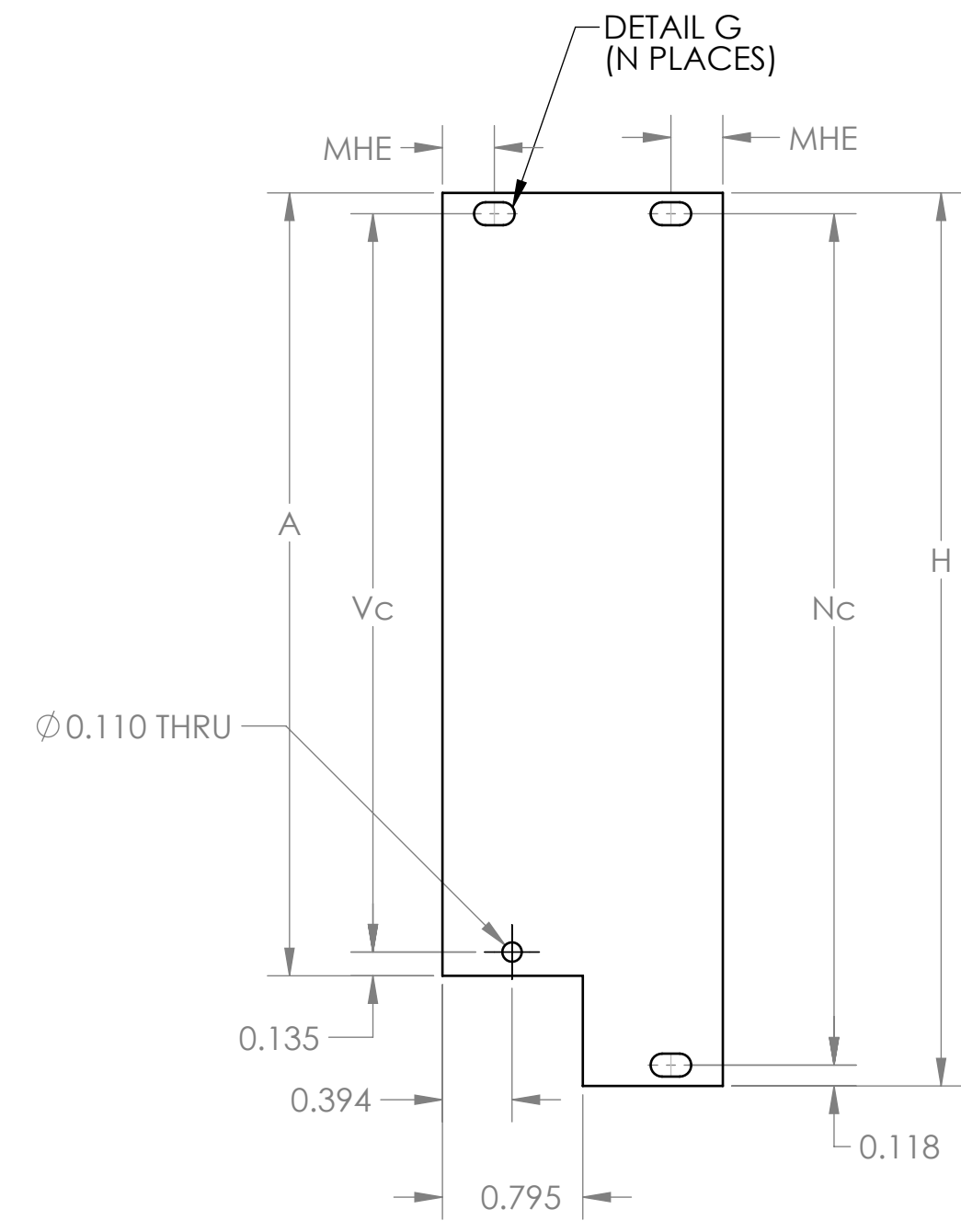
SIZE: **D** DWG. NO.: **FPXXBXHP-1** REV: **B**  
 SCALE: 1:1 CAGE CODE: 82893 SHEET 1 OF 2



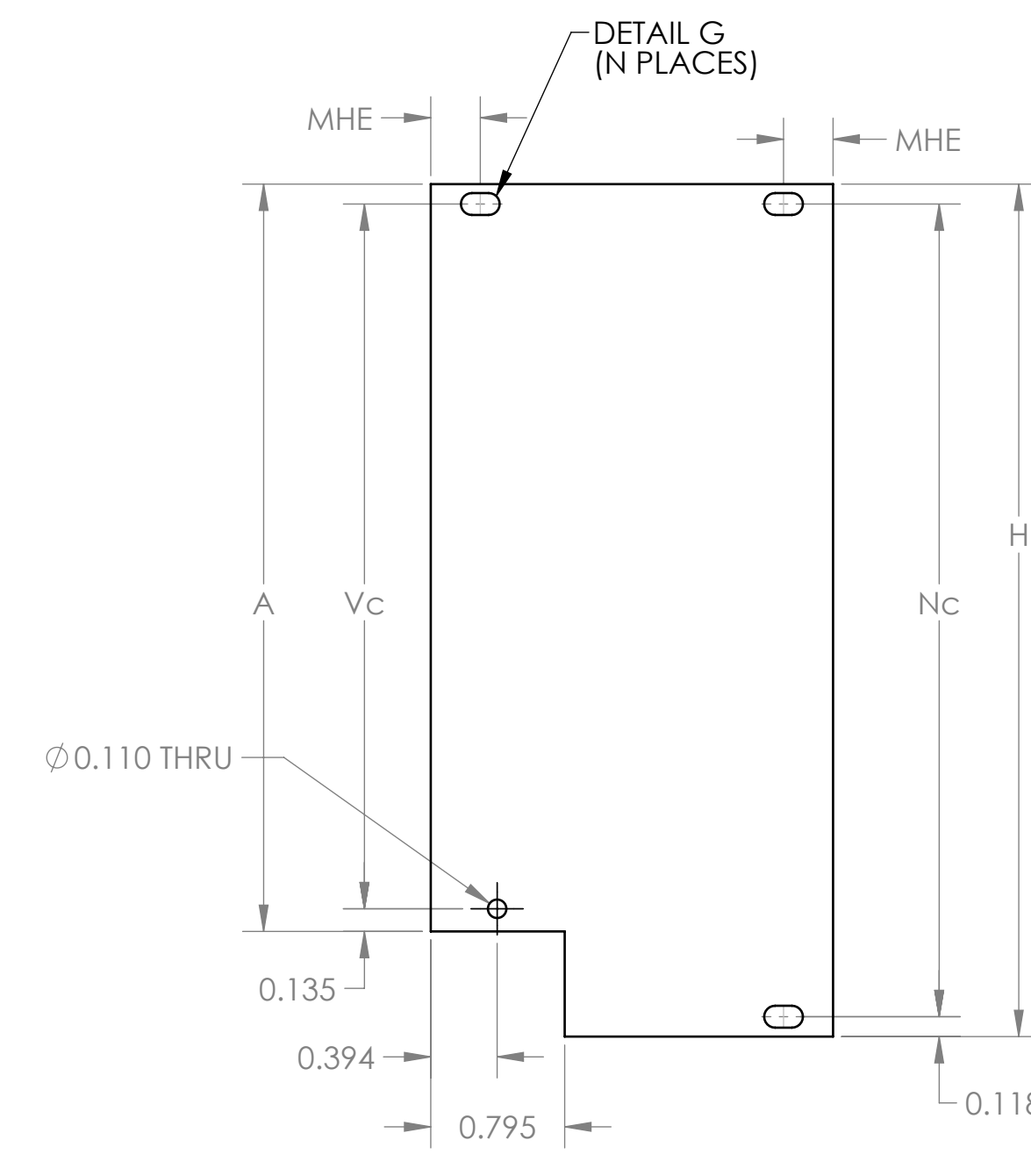
**3U X 4HP**



**3U X 5HP**



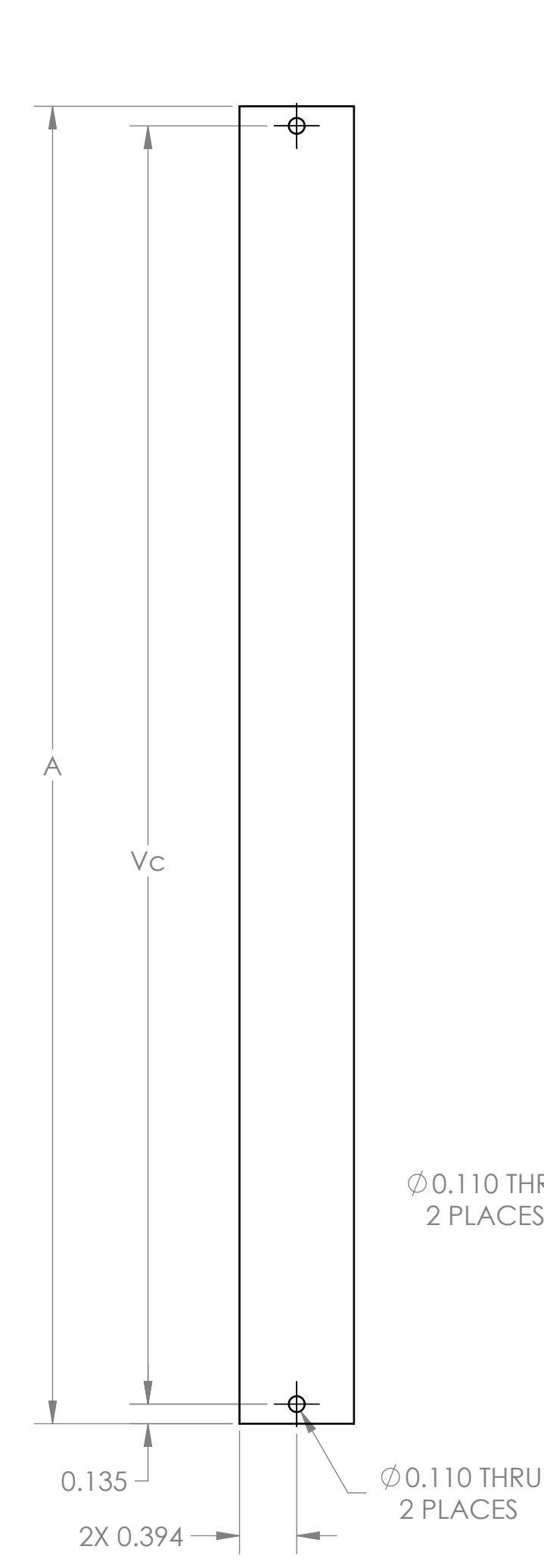
**3U X 8HP**



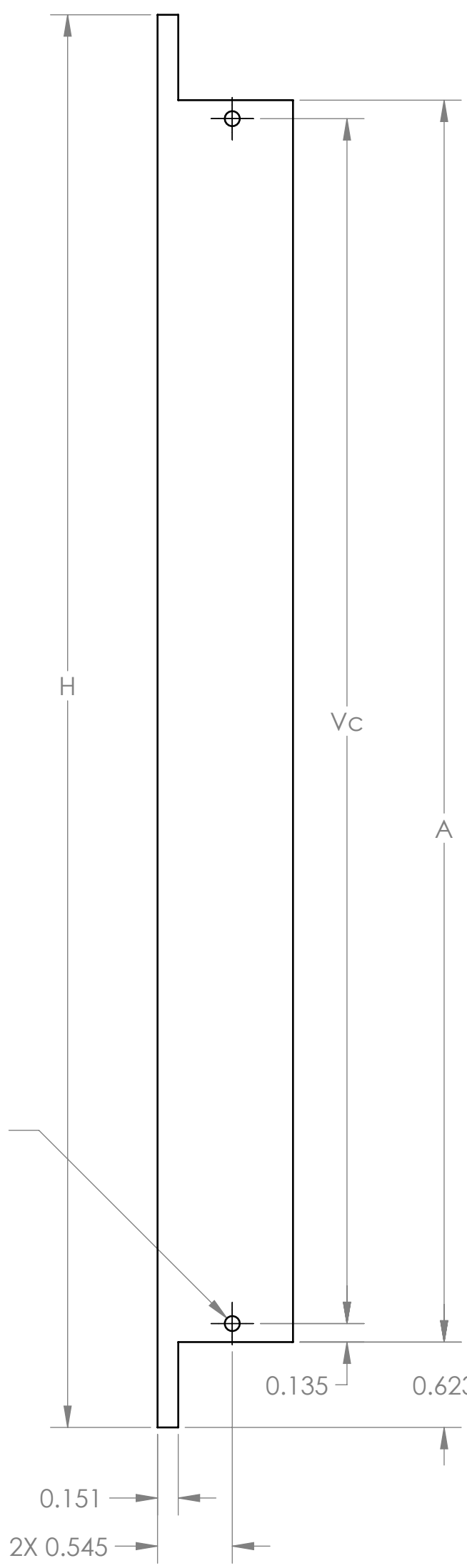
**3U X 12HP**

NOTES:  
 1. MATERIAL : ALUMINUM EXTRUSION, 6063-T5  
 2. FRONT SURFACE GRAINED IN DIRECTION OF MATERIAL GRAIN  
 3. FINISH : CLEAR CHEM FILM, MIL-C-5541, CLASS 3

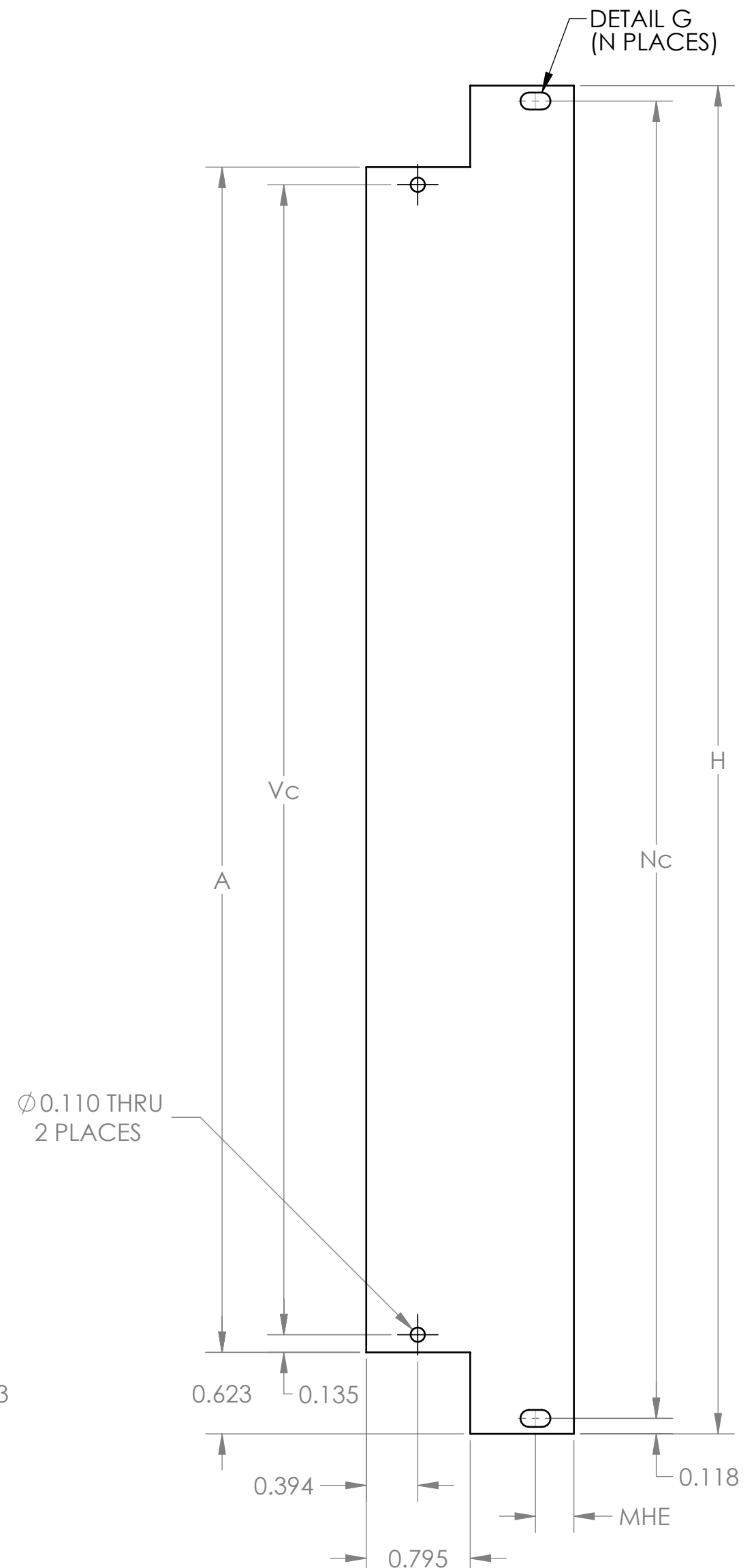
		DIMENSIONS TABULATION						
PART NO	DESCRIPTION	H	W	MHE	Nc	Vc	A	PLACES N
FP52B4HP-1	3U X 4HP	-	0.788	0.294	-	4.183	4.436	1
FP52B5HP-1	3U X 5HP	-	0.988	0.445	-			1
FP52B8HP-1	3U X 8HP	5.059	1.588	0.294	4.823			3
FP52B12HP-1	3U X 12HP	-	2.388	0.294	4.823	-	-	3
FP10B4HP-1	6U X 4HP	-	0.788	-	-	8.793	9.063	-
FP10B5HP-1	6U X 5HP	-	0.988	-	-			-
FP10B8HP-1	6U X 8HP	10.309	1.588	0.294	10.073			2
FP10B12HP-1	6U X 12HP	-	2.388	0.294	10.073	-	-	2
FP15B4HP-1	9U X 4HP	-	0.788	-	-	14.043	14.313	-
FP15B5HP-1	9U X 5HP	-	0.988	-	-			-
FP15B8HP-1	9U X 8HP	15.559	1.588	0.294	15.323			2
FP15B12HP-1	9U X 12HP	-	2.388	0.294	15.323	-	-	2



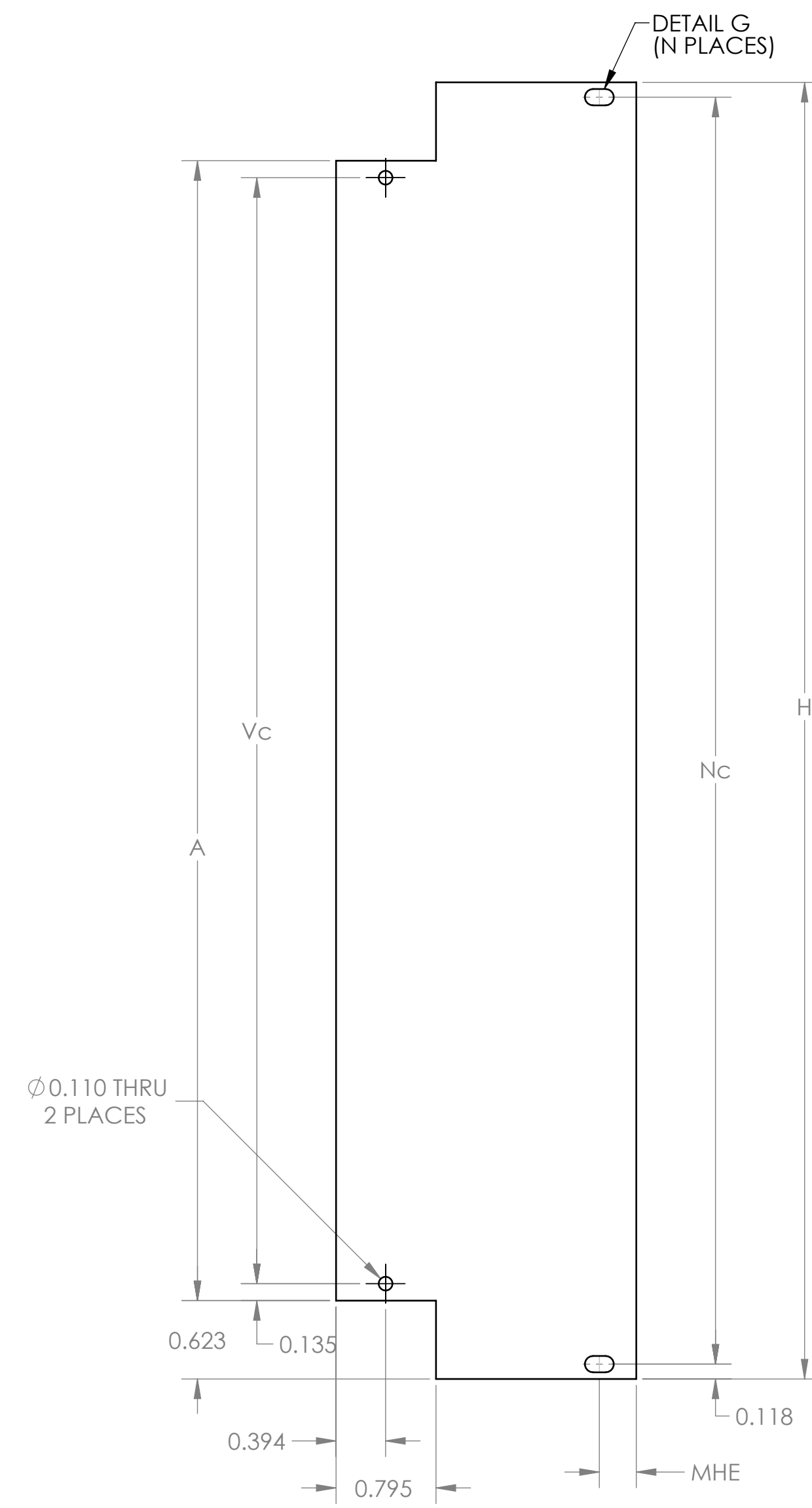
**6U or 9U X 4HP**



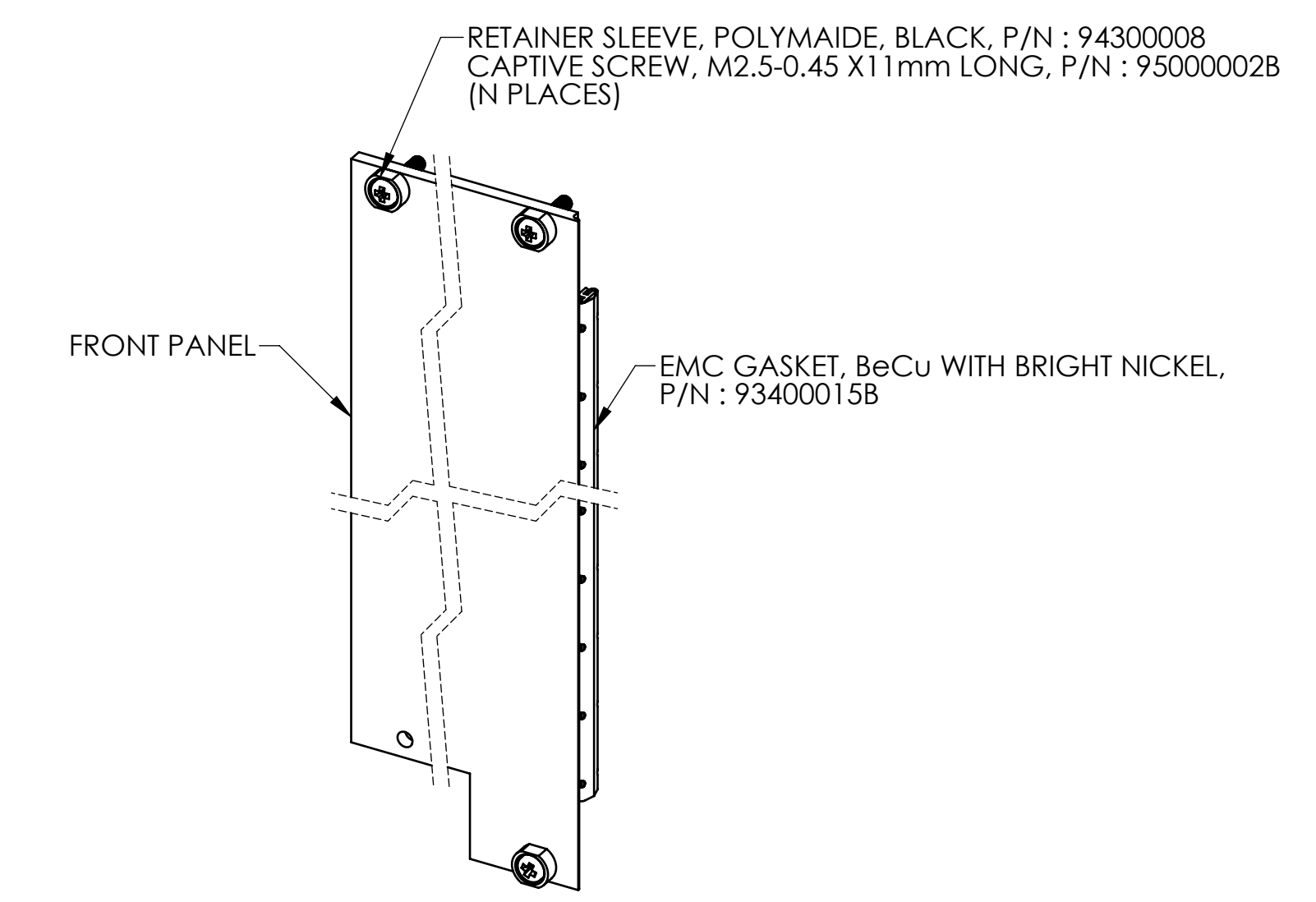
**6U or 9U X 5HP**



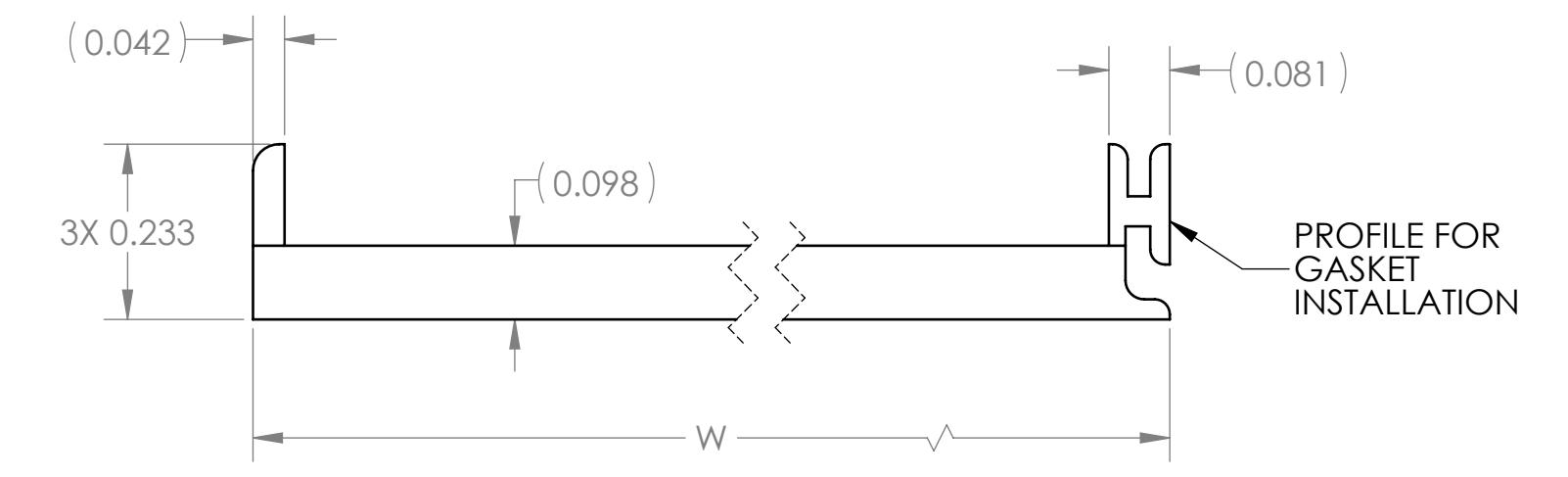
**6U or 9U X 8HP**



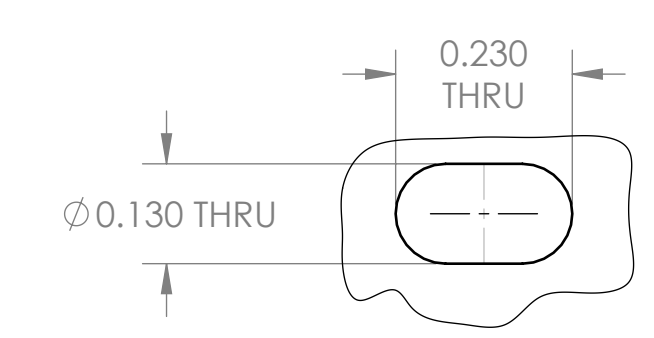
**6U or 9U X 12HP**



**FPXXAXHP-1 FRONT PANEL ASSY**



**PANEL PROFILE DETAIL**



**DETAIL G  
SCALE 4 : 1**

**VECTOR** 11115 VANOWEN ST.  
 NORTH HOLLYWOOD, CA 91605  
 ELECTRONICS & TECHNOLOGY, INC. www.vectorsect.com

**EMC FRONT PANEL, 1101.10**

SIZE	DWG. NO.	REV
D	FPXXBXHP-1	B

SCALE: 1:1 | CAGE CODE: 82893 | SHEET 2 OF 2