

FR101-G Thru. FR107-G

Voltage: 50 to 1000 V

Current: 1.0 A

RoHS Device

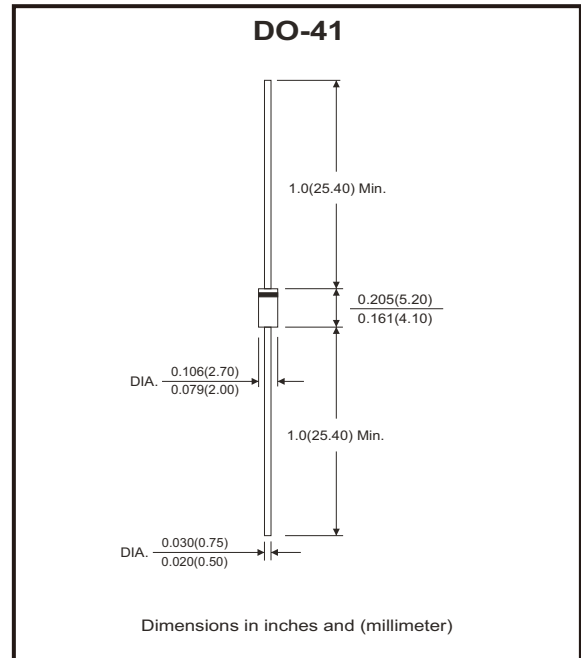


Features

- Fast switching for high efficiency.
- Diffused junction.
- Low reverse leakage current.
- Low forward voltage drop
- High current capability.

Mechanical data

- Case: JEDEC DO-41 molded plastic
- Epoxy: UL 94V-0 rate flame retardant
- Polarity: Color band denotes cathode
- Lead: Plated axial lead, solderable per MIL-STD-750, method 2026.
- Mounting position: Any



Circuit Diagram



Maximum Ratings (at TA=25°C unless otherwise noted)

Single phase, half wave, 60Hz, resistive or inductive load.
For capacitive load derate current by 20%.

Parameter	Symbol	FR101 -G	FR102 -G	FR103 -G	FR104 -G	FR105 -G	FR106 -G	FR107 -G	Unit
Maximum repetitive peak reverse voltage	V_{RRM}	50	100	200	400	600	800	1000	V
Maximum RMS voltage	V_{RMS}	35	70	140	280	420	560	700	V
Maximum DC blocking voltage	V_{DC}	50	100	200	400	600	800	1000	V
Maximum average forward rectified current @TA=75°C	$I_{(AV)}$	1.0							A
Peak forward surge current, 8.3ms single half sine-wave superimposed on rated load (JEDEC method)	I_{FSM}	30							A
Maximum reverse recovery time (Note 1)	t_{rr}	150				250	500		nS
Operating temperature range	T_J	-55 ~ +150							°C
Storage temperature range	T_{STG}	-55 ~ +150							°C

Notes: 1. Measured with $I_F=0.5A$, $I_R=1A$, $I_{RR}=0.25A$.

Electrical Characteristics (at TA=25°C unless otherwise noted)

Parameter	Conditions	Symbol	Min	Typ	Max	Unit
Forward voltage	$I_F = 1.0A$ DC	V_F			1.3	V
DC reverse current at rated DC blocking voltage	$T_J = 25^\circ C$	I_R			5.0	μA
	$T_J = 100^\circ C$				100	
Junction capacitance	$V_R = 4V, f = 1.0MHz$	FR101-G/FR102-G FR103-G/FR104-G		25		pF
		FR105-G/FR106-G FR107-G		15		pF
Thermal resistance	Junction to ambient	$R_{\theta JA}$		25		$^\circ C/W$

RATING AND CHARACTERISTIC CURVES (FR101-G Thru. FR107-G)

Fig.1 - Forward Current Derating Curve

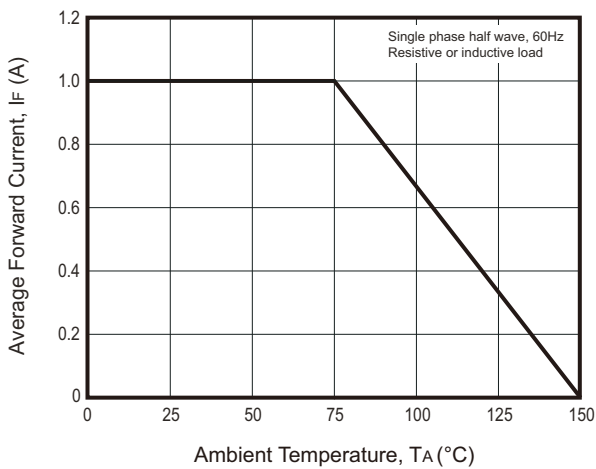


Fig.2 - Maximum Non-repetitive Surge Current

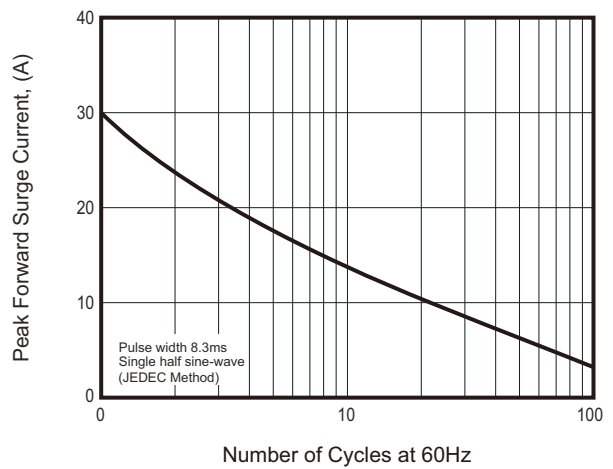


Fig.3 - Typical Junction Capacitance

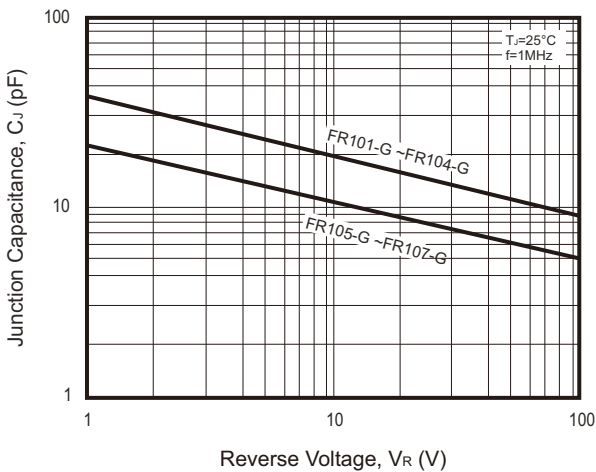
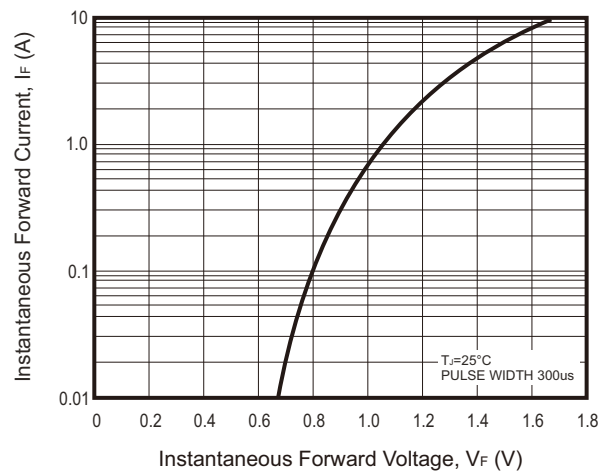
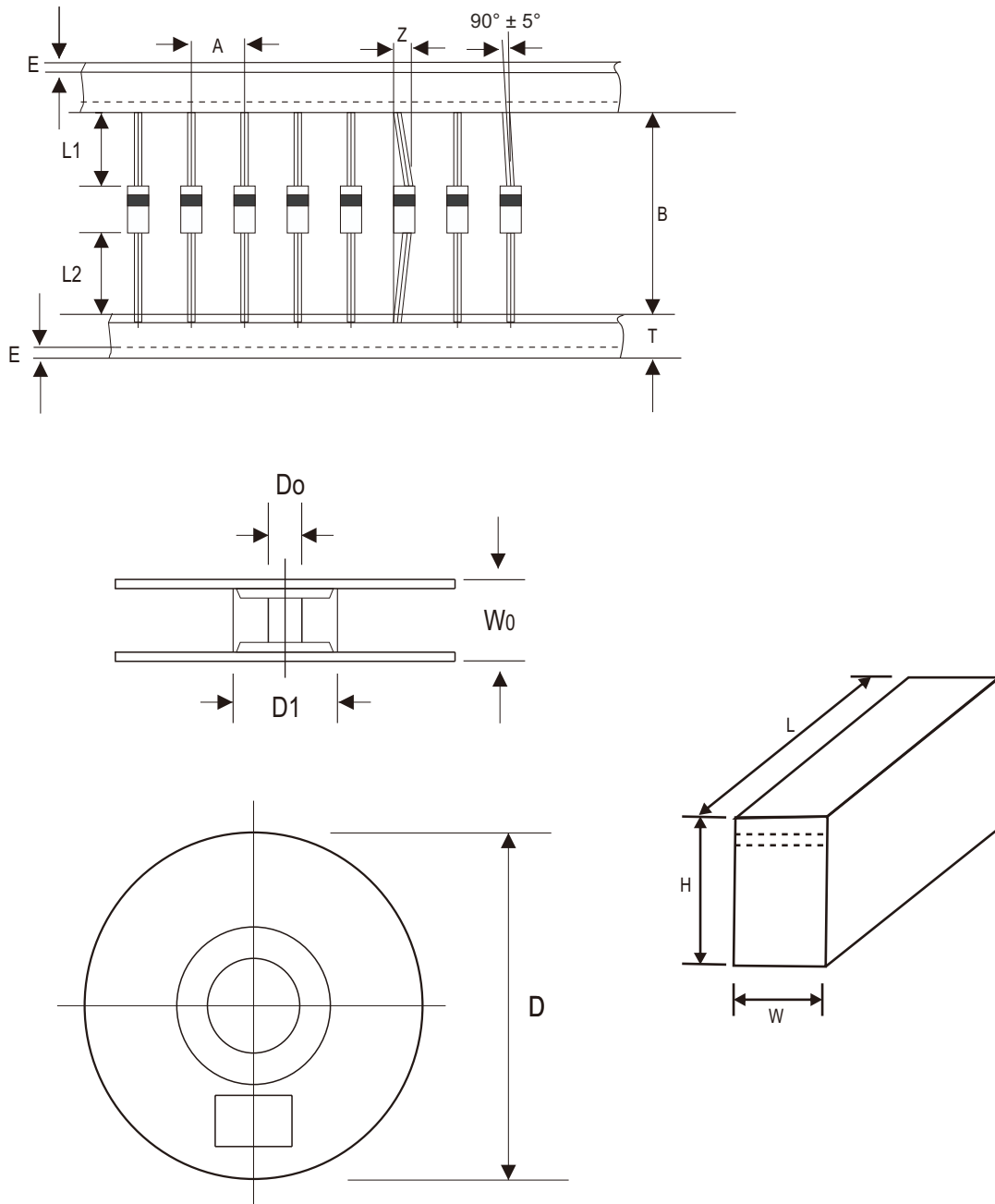


Fig.4 - Typical Forward Characteristics



Taping Specification For Axial Lead Diodes



DO-41	SYMBOL	A	B	Z	T	E	[L1-L2]
	(mm)	5.00 ± 0.50	$52.40 + 1.50$ $- 0.40$	1.20 (max)	6.00 ± 0.40	0.80 (max)	1.00 (max)
	(inch)	0.197 ± 0.020	$2.063 + 0.059$ $- 0.016$	0.047 (max)	0.236 ± 0.016	0.031 (max)	0.039 (max)

DO-41	SYMBOL	D1	D0	D	W0	L	W	H
	(mm)	85.70 ± 0.30	16.60 ± 0.40	330.00	79.00 ± 1.00	255.00 ± 5.00	75.00 ± 5.00	150.00 ± 5.00
	(inch)	3.374 ± 0.012	0.654 ± 0.016	12.992	3.110 ± 0.039	10.039 ± 0.197	2.953 ± 0.197	5.906 ± 0.197

Company reserves the right to improve product design , functions and reliability without notice.

REV:C