

FR201G-G Thru. FR207G-G

Voltage: 50 to 1000 V

Current: 2.0 A

RoHS Device

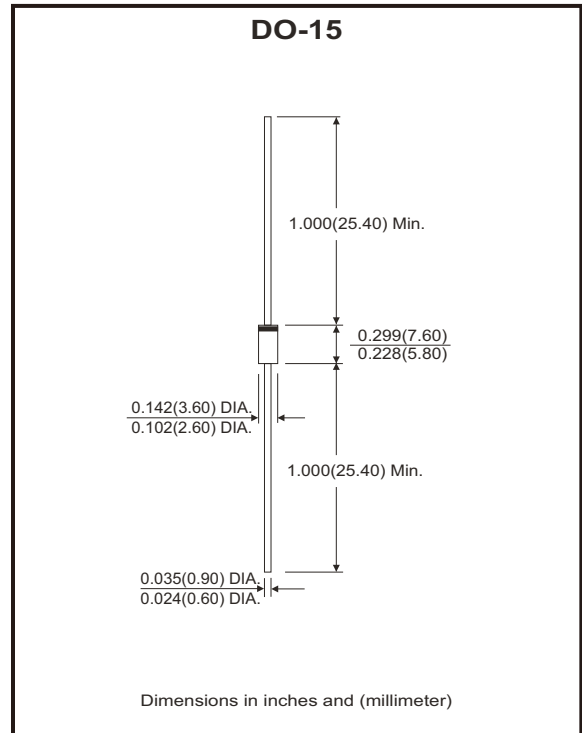


Features

- Glass passivated chip.
- Low forward voltage.
- High reliability.
- High surge current capability.
- High current capability.

Mechanical data

- Case: JEDEC DO-15 molded plastic.
- Epoxy: UL94V-0 rate flame retardant.
- Polarity: Color band denotes cathode end.
- Terminals: Solder plated, solderable per MIL-STD-750, method 2026.
- Mounting position: Any



Circuit Diagram



Maximum Ratings and Electrical Characteristics (at $T_A=25^\circ\text{C}$ unless otherwise noted)

Parameter	Symbol	FR 201G-G	FR 202G-G	FR 203G-G	FR 204G-G	FR 205G-G	FR 206G-G	FR 207G-G	Unit
Maximum repetitive peak reverse voltage @ $I_T = 5\mu\text{A}$	V_B	50	100	200	400	600	800	1000	V
Maximum RMS voltage	V_R	35	70	140	280	420	560	700	V
Maximum DC blocking voltage	V_{DC}	50	100	200	400	600	800	1000	V
Maximum average forward rectified current @ $T_A=25^\circ\text{C}$	I_F	2.0							A
Maximum instantaneous forward voltage at specified current	V_F	1.3							V
Maximum DC reverse current	I_R	5.0							μA
Maximum reverse recovery time (Note 1)	t_{rr}	150				250	500		ns
Operating temperature range	T_J	-55 ~ +150							$^\circ\text{C}$
Storage temperature range	T_{STG}	-55 ~ +150							$^\circ\text{C}$

Notes: 1. Reverse recovery test conditions: $I_F=0.5\text{A}$, $I_R=1.0\text{A}$, $I_{RR}=0.25\text{A}$ (RGI circuit)

Company reserves the right to improve product design , functions and reliability without notice.

REV:B

Rating and Characteristic Curves (FR201G-G Thru. FR207G-G)

Fig.1 - Forward Current Derating Curve

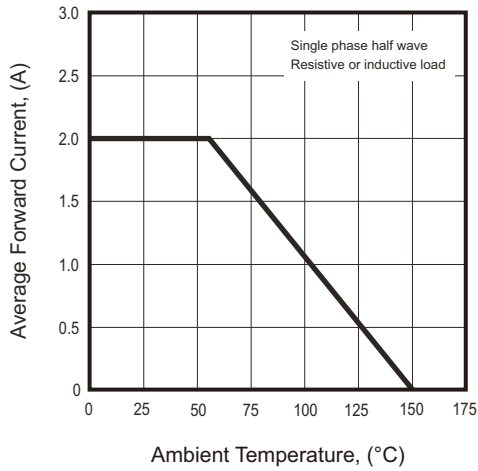


Fig.2 - Typical Forward Characteristics

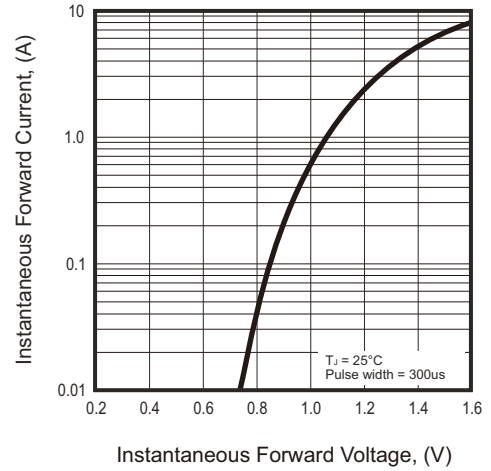


Fig.3 - Peak Forward Surge Current

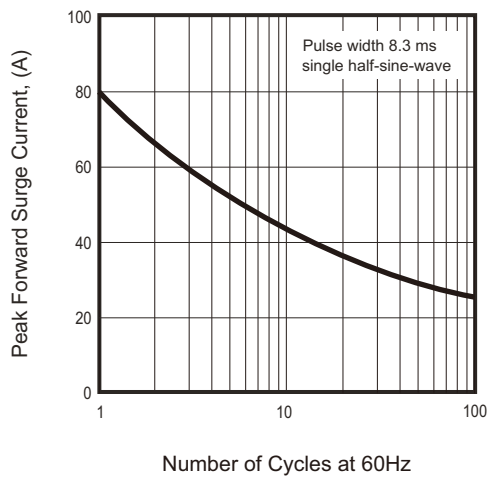
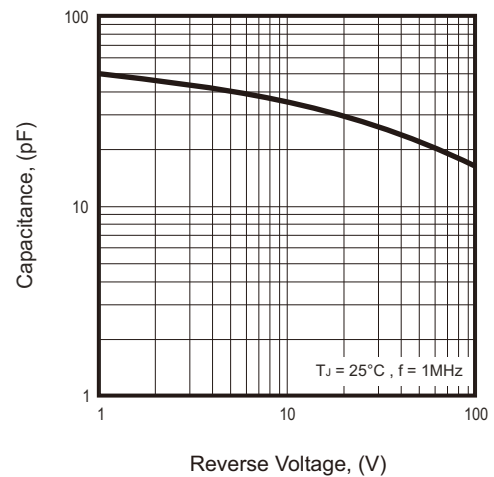
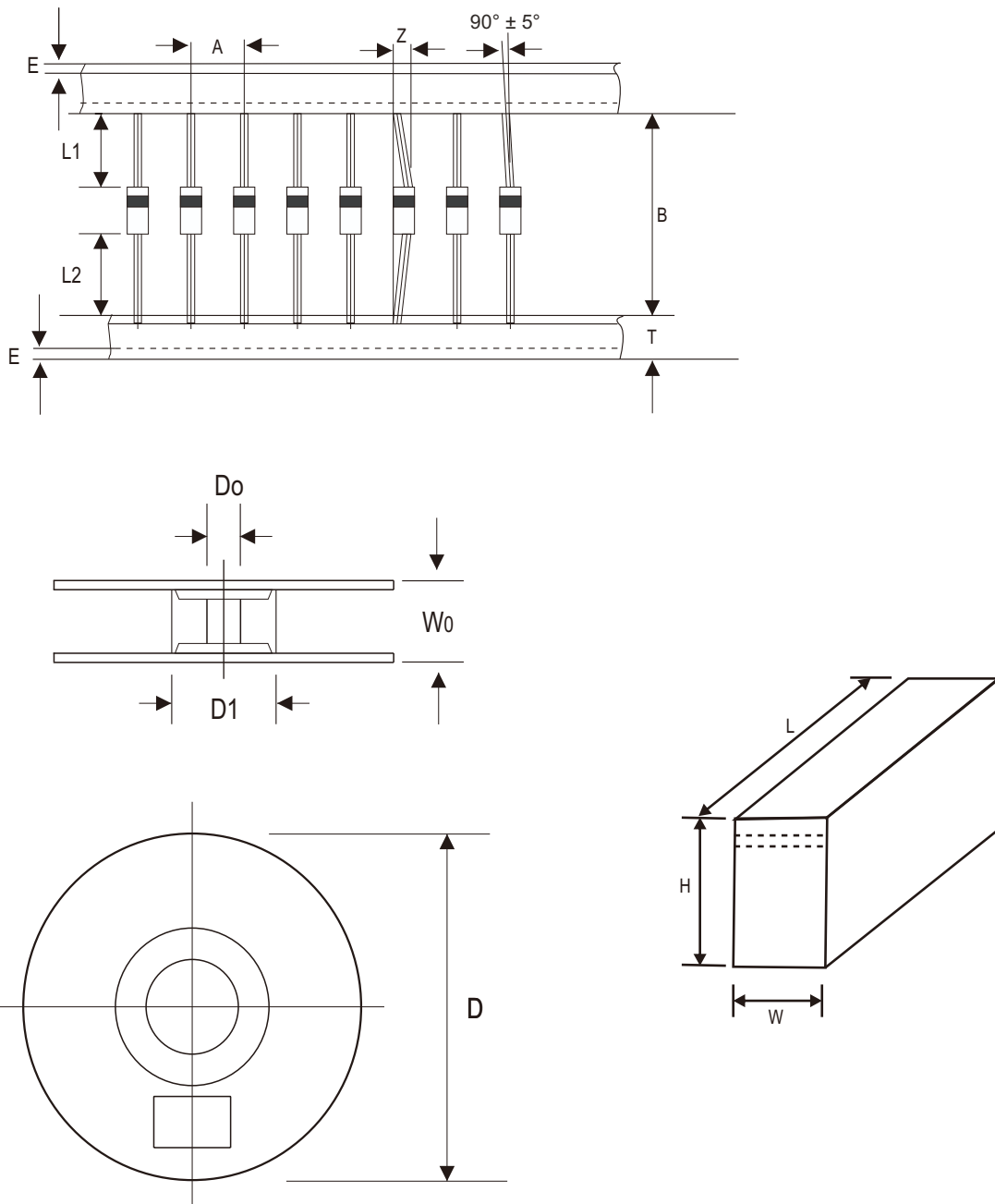


Fig.4 - Typical Junction Capacitance



Taping Specification For Axial Lead Diodes



DO-15	SYMBOL	A	B	Z	T	E	[L1-L2]
	(mm)	5.00 ± 0.50	52.40 + 1.50 - 0.40	1.20 (max)	6.00 ± 0.40	0.80 (max)	1.00 (max)
	(inch)	0.197 ± 0.020	2.063 + 0.059 - 0.016	0.047 (max)	0.236 ± 0.016	0.031 (max)	0.039 (max)

DO-15	SYMBOL	D1	D0	D	W0	L	W	H
	(mm)	85.70 ± 0.30	16.60 ± 0.40	330.00	79.00 ± 1.00	255.00 ± 5.00	75.00 ± 5.00	150.00 ± 5.00
	(inch)	3.374 ± 0.012	0.654 ± 0.016	12.992	3.110 ± 0.039	10.039 ± 0.197	2.953 ± 0.197	5.906 ± 0.197

Company reserves the right to improve product design , functions and reliability without notice.

REV:B