

## FR201G-G Thru. FR207G-G

Voltage: 50 to 1000 V

Current: 2.0 A

RoHS Device

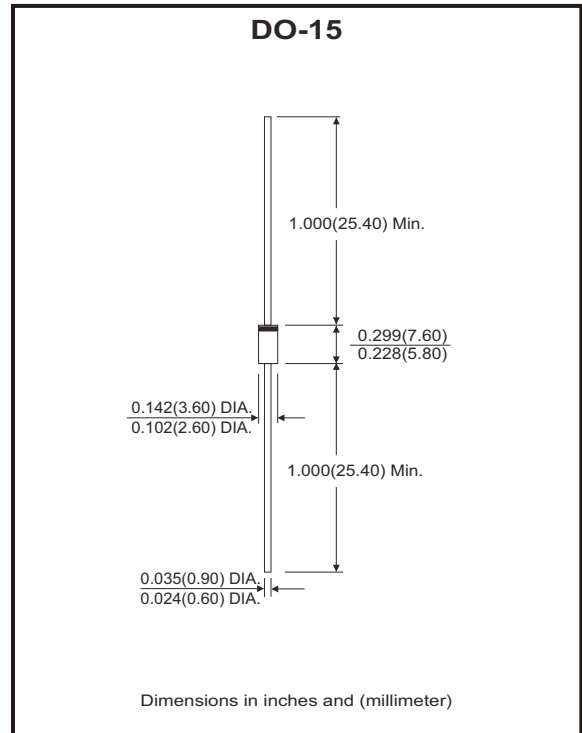


### Features

- Glass passivated chip.
- Low forward voltage.
- High reliability.
- High surge current capability.
- High current capability.

### Mechanical data

- Case: JEDEC DO-15 molded plastic.
- Epoxy: UL94V-0 rate flame retardant.
- Polarity: Color band denotes cathode end.
- Terminals: Solder plated, solderable per MIL-STD-750, method 2026.
- Mounting position: Any



### Circuit Diagram



### Maximum Ratings and Electrical Characteristics (at $T_A=25^\circ\text{C}$ unless otherwise noted)

Parameter	Symbol	FR 201G-G	FR 202G-G	FR 203G-G	FR 204G-G	FR 205G-G	FR 206G-G	FR 207G-G	Unit
Maximum repetitive peak reverse voltage @ $I_T = 5\mu\text{A}$	$V_B$	50	100	200	400	600	800	1000	V
Maximum RMS voltage	$V_R$	35	70	140	280	420	560	700	V
Maximum DC blocking voltage	$V_{DC}$	50	100	200	400	600	800	1000	V
Maximum average forward rectified current @ $T_A=25^\circ\text{C}$	$I_F$	2.0							A
Maximum instantaneous forward voltage at specified current	$V_F$	1.3							V
Maximum DC reverse current	$I_R$	5.0							$\mu\text{A}$
Maximum reverse recovery time (Note 1)	$t_{rr}$	150				250	500		ns
Operating temperature range	$T_J$	-55 ~ +150							$^\circ\text{C}$
Storage temperature range	$T_{STG}$	-55 ~ +150							$^\circ\text{C}$

Notes: 1. Reverse recovery test conditions:  $I_F=0.5\text{A}$ ,  $I_R=1.0\text{A}$ ,  $I_{RR}=0.25\text{A}$ (RGI circuit)

Company reserves the right to improve product design , functions and reliability without notice.

REV:B

## Rating and Characteristic Curves (FR201G-G Thru. FR207G-G)

Fig.1 - Forward Current Derating Curve

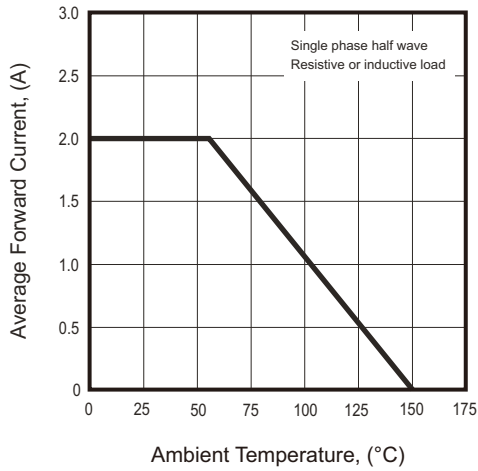


Fig.2 - Typical Forward Characteristics

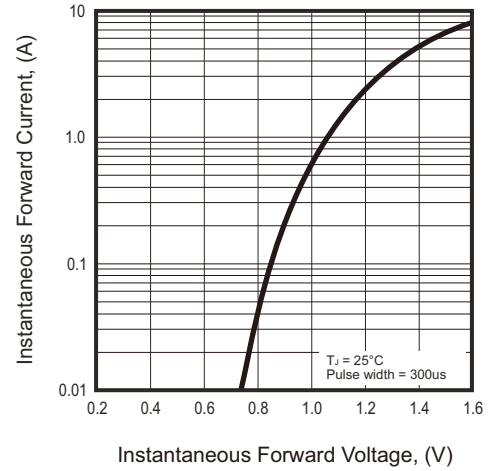


Fig.3 - Peak Forward Surge Current

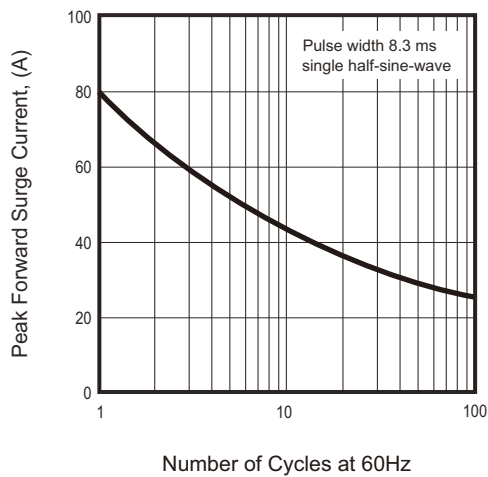
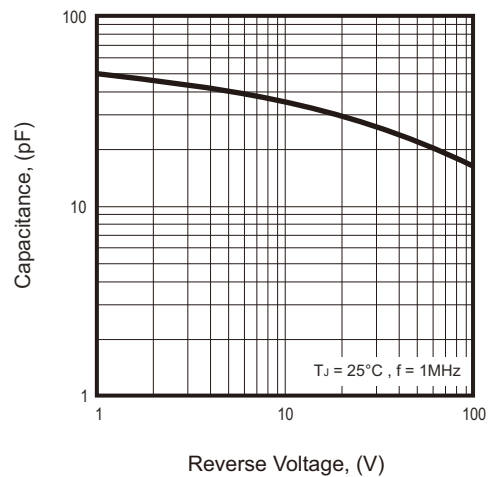
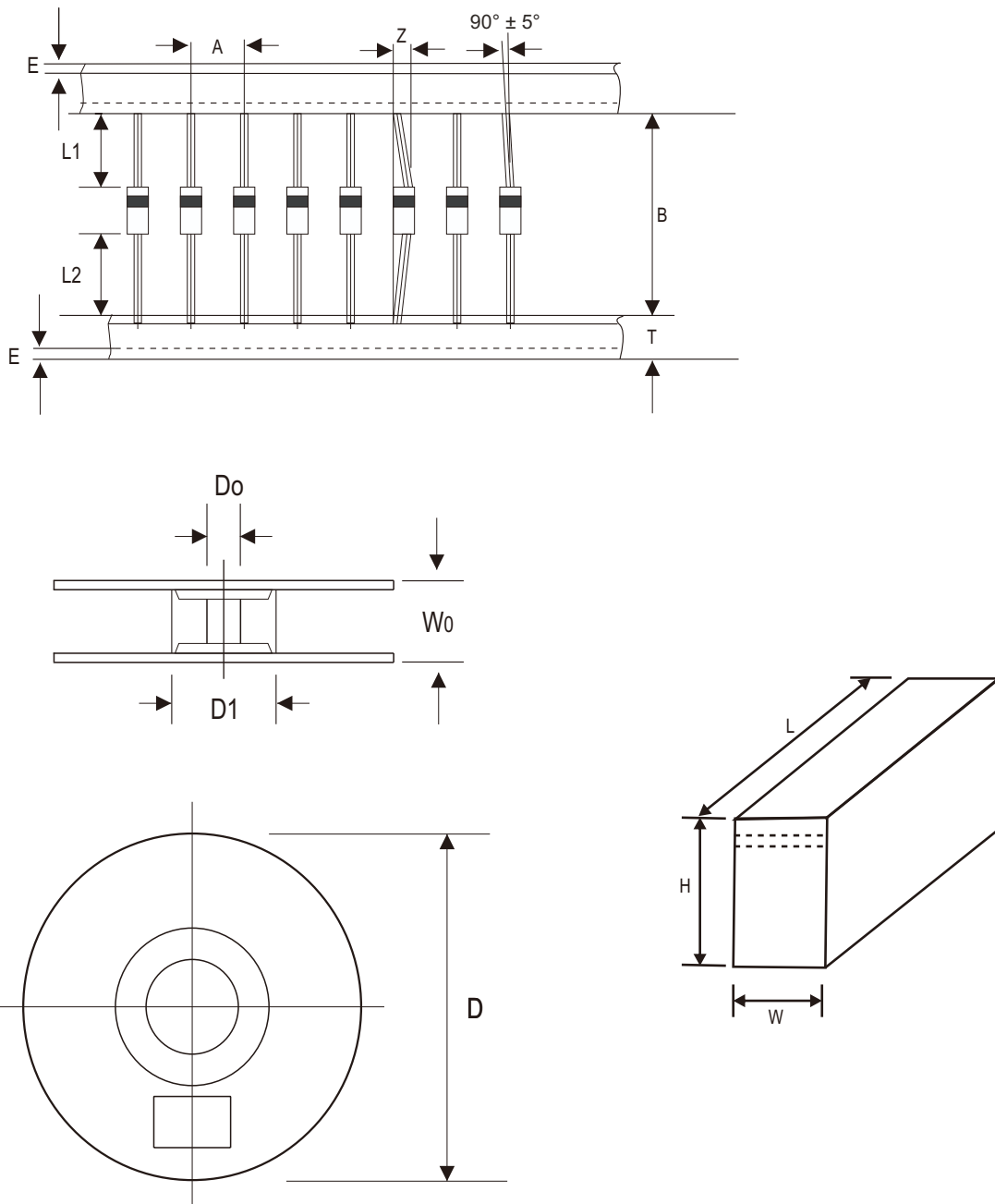


Fig.4 - Typical Junction Capacitance



## Taping Specification For Axial Lead Diodes



DO-15	SYMBOL	A	B	Z	T	E	L1-L2
	(mm)	$5.00 \pm 0.50$	$52.40 + 1.50$ $- 0.40$	1.20 (max)	$6.00 \pm 0.40$	0.80 (max)	1.00 (max)
	(inch)	$0.197 \pm 0.020$	$2.063 + 0.059$ $- 0.016$	0.047 (max)	$0.236 \pm 0.016$	0.031 (max)	0.039 (max)

DO-15	SYMBOL	D1	D0	D	W0	L	W	H
	(mm)	$85.70 \pm 0.30$	$16.60 \pm 0.40$	330.00	$79.00 \pm 1.00$	$255.00 \pm 5.00$	$75.00 \pm 5.00$	$150.00 \pm 5.00$
	(inch)	$3.374 \pm 0.012$	$0.654 \pm 0.016$	12.992	$3.110 \pm 0.039$	$10.039 \pm 0.197$	$2.953 \pm 0.197$	$5.906 \pm 0.197$

Company reserves the right to improve product design , functions and reliability without notice.

REV:B