

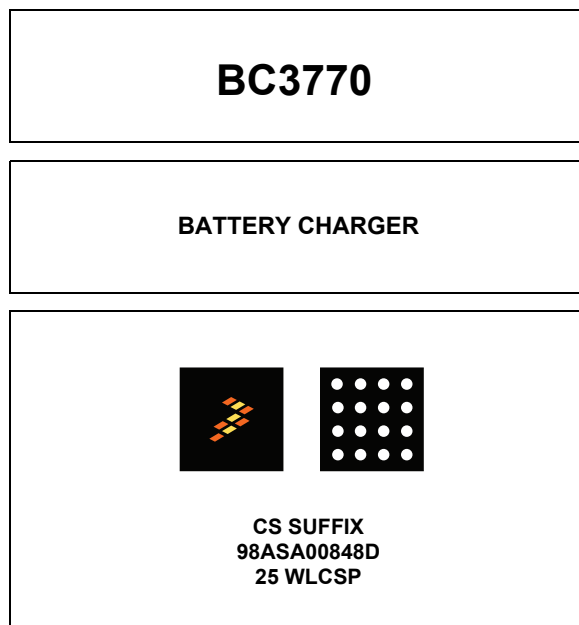
## 2.0 A switch-mode charger with intelligent power-path for 1-cell li-ion battery

The BC3770 is a fully programmable switching charger with dual-path output for single-cell Li-Ion and Li-Polymer battery. This dual-path output allows mobile applications with fully discharged battery or dead battery to boot up the system. High-efficiency and switch-mode operation of the BC3770 reduce heat dissipation and allow for higher current capability for a given package size. In addition, the BC3770 features single input with a 20 V withstanding input and charges the battery with the current up to 2.0 A. The charging parameters and operating modes are fully programmable over an I<sup>2</sup>C Interface that operates up to 400 kHz.

The BC3770 is a highly integrated synchronous switch-mode charger, featuring integrated OVP and Power FETs. The charger and boost regulator circuits switch at 1.5 MHz to minimize the size of external passive components. The BC3770 is able to operate as a boost regulator for USB-OTG function via either I<sup>2</sup>C command or an external pin from the host/processor. The BC3770 is available in a 25-bump, 2.27 mm x 2.17 mm, WLCSP package.

### Features

- Dual-path output to power-up system in dead battery
- Single input for USB/TA
- High-efficiency synchronous switching regulator
- 20 V maximum withstanding input voltage
- Minimize the charging time with remote sense
- Up to 2.0 A load current for system or battery
- Programmable charge parameters via I<sup>2</sup>C compatible interface
- 400 kHz full-speed I<sup>2</sup>C interface
- 1.5 MHz switching frequency
- Charge reduction mode for maximizing charging efficiency



### Applications

- Internet of things (IoT)
- Handheld consumer devices
- Wearable application
- mPOS terminals
- Medical portable equipment
- Consumer tablets

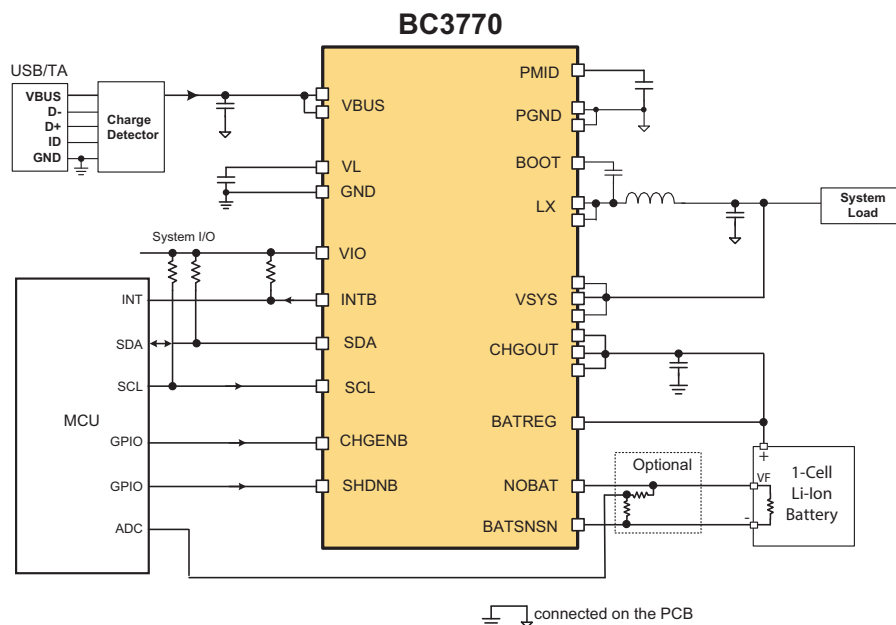


Figure 1. BC3770 simplified application diagram

\* This document contains certain information on a new product. Specifications and information herein are subject to change without notice.

# 1 Orderable parts

Table 1. Orderable part variations

Part number	Temperature (T <sub>A</sub> )	Package
MC32BC3770CSR2	-40 °C to 85 °C	25 WLCSP, 2.27 mm x 2.17 mm, 0.4 pitch

## 2 Internal block diagram

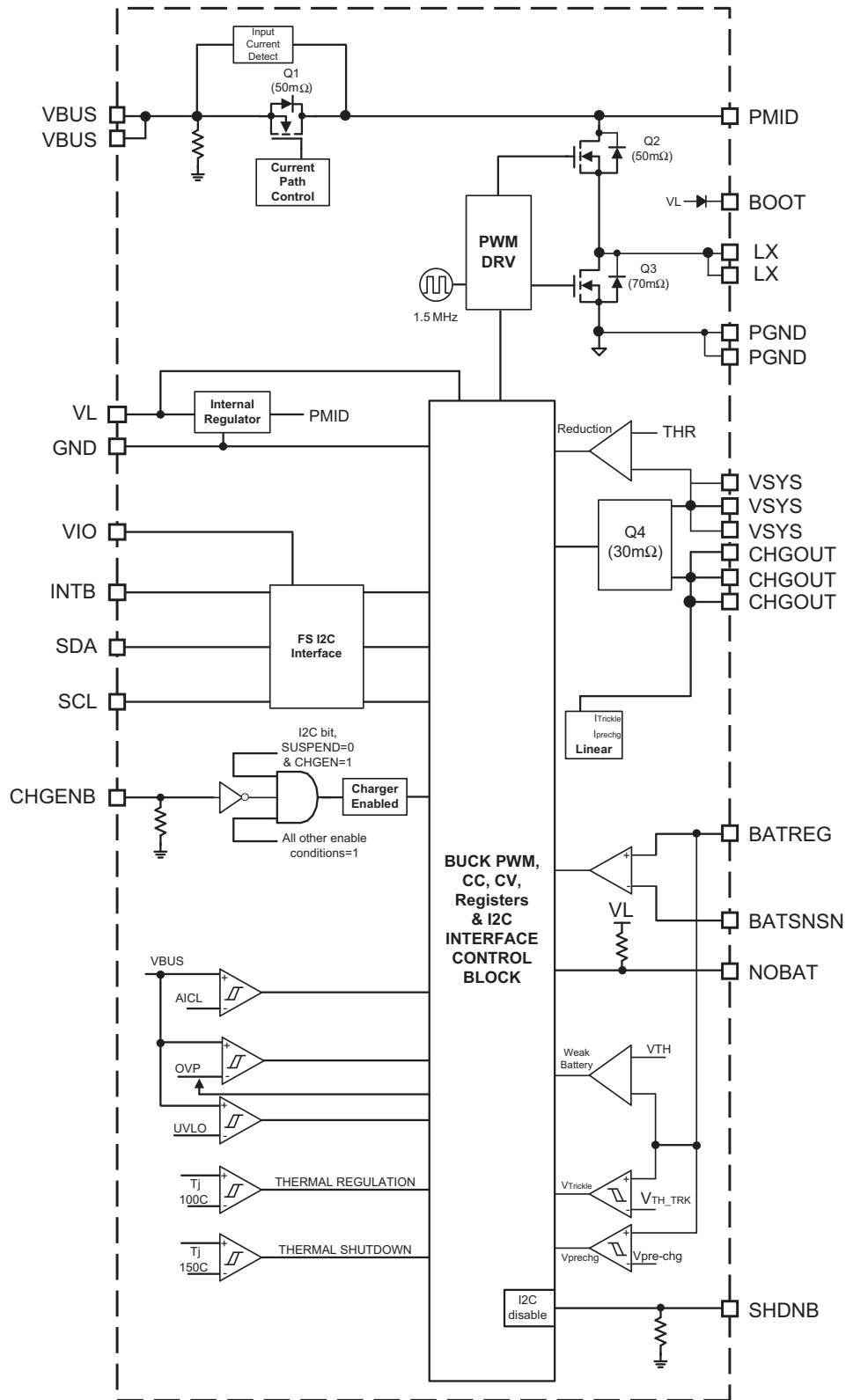
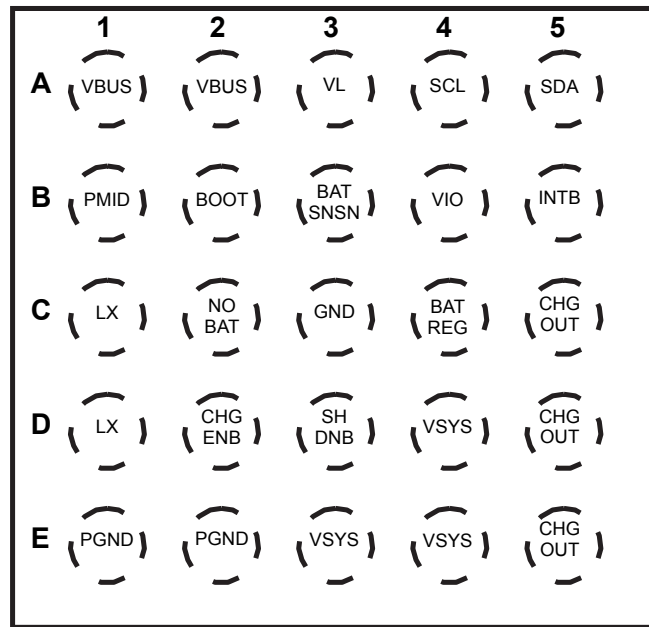


Figure 2. BC3770 simplified internal block diagram

### 3 Pin connections

TRANSPARENT  
TOP VIEW



**Figure 3. BC3770 pin connections (transparent top view)**

Functional descriptions of many of these pins can be found in the Functional Pin Description section beginning on [page 13](#).

**Table 2. BC3770 pin definitions**

Pin	Pin name	Pin function	Formal name	Definition
A1, A2	VBUS	Input	USB/DCP Adapter Input	Connect the pins to the output of USB or DCP (dedicated Charging Port) adapter. Bypass with a 2.2 $\mu$ F/10 V ceramic capacitor to the ground, in case the peak voltage on the pins is always below 10 V due to a clamp device. Otherwise, a 2.2 $\mu$ F/25 V or higher rating capacitor is recommended. The two VBUS pins must be connected together externally. These pins are used as an output in OTG mode. An embedded 100 k $\Omega$ discharge resistance is enabled in Charge mode. It is disconnected in the Boost mode.
A3	VL	Output	Internal Regulator Output	The analog output for internal reference, bandgap and so on. DO NOT LOAD. Bypass with a 1.0 $\mu$ F/10 V to ground.
A4	SCL	Input	Clock Input for FS I <sup>2</sup> C Serial Interface with the Processor	Use a pull-up resistor, 1.5 k $\Omega$ to 2.2 k $\Omega$ , to the VIO.
A5	SDA	Input/Output	Data I/O for FS I <sup>2</sup> C Serial Interface with the Processor	Use a pull-up resistor, 1.5 k $\Omega$ to 2.2 k $\Omega$ , to the VIO.
B1	PMID	Output	VBUS Bypass Output	High-side MOSFET connection node and VBUS bypass output. Bypass with a 2.2 $\mu$ F ceramic capacitor to PGND pins as close as possible. Do NOT LOAD any external applications.
B2	BOOT		High-side MOSFET Driver Supply	Bypass BOOT to LX with a 22 nF/10 V ceramic capacitor.
B3	BATSNSN		Battery - Terminal Sensing	Connect to negative terminal of battery cell as close as possible. If a sense resistor is used for a fuel gauge, connect the pin to the ground terminal of the sense resistor.
B4	VIO		Supply for Internal Buffer	Connect to the system I/O supply voltage rail.

**Table 2. BC3770 pin definitions (continued)**

Pin	Pin name	Pin function	Formal name	Definition
B5	INTB	Output	Logic Output for Interrupt	An open-drain output with an external pull-up resistor, 200 k $\Omega$ , to the system I/O supply. Active-low when status change on interrupt registers occurs.
C1, D1	LX		Switching Node	Connect a 1.0 $\mu$ H inductor. The two LX pins must be connected together externally.
C2	NOBAT	Input	Logic Input for Battery Presence Detection	Connect the pin to VF or ID pin on the battery cell. It has an internal pull-up resistance, 300 k $\Omega$ typ, to the VL. If a logic-high threshold is detected on the pin, the charging is suspended immediately. If this pin is not used, connect it to ground.
C3	GND	Ground	Device Ground	Must be connected to the system ground.
C4	BATREG		Battery + Terminal Sensing	Connect to positive terminal of battery cell as close as possible.
C5, D5, E5	CHGOUT	Output	Battery Charger Output	These pins must be connected together externally. Bypass with a 4.7 $\mu$ F/10 V or higher to ground.
D2	CHGENB	Input	Charger Enable Logic Input	Logic-low to enable charger. Logic-high to disable the charger, not to disable buck converter. It has an internal 300 k $\Omega$ resistance to ground. If this pin is not used, leave it open or connect it to ground. The serial interface, I <sup>2</sup> C, is still available in CHGENB = High.
D3	SHDNB	Input	Logic Input for Disabling I <sup>2</sup> C Interface	If there is no valid input source, logic-low is to put the I <sup>2</sup> C interface into Disabled mode to reduce the idle current as low as possible. In the Shutdown mode, I <sup>2</sup> C interface is not available but the Q4 FET is kept ON. A valid power source on VBUS is able to overwrite to wake-up the device for Charge mode even in SHDNB = Low. This pin is not effective as long as a valid input power source is present. This pin has an internal pull-down resistance, 300 k $\Omega$ typ. If this pin is not used, tie it to the system I/O supply rail or an appropriate rail to reduce idle current as low as possible.
D4, E3, E4	VSYS	Output	System Supply Output	VSYS is the power supply for the system load. When a valid power source at VBUS is attached, VSYS is regulated at 3.6 V until the BATREG hits the threshold of $V_{SYS\_MIN} \times R_{DS(on)\_Q4}$ . When the +Terminal on the battery cell is regulated at VBATREG, the VSYS output is regulated to the $I_{FAST\_CHG} \times R_{DS(on)\_Q4}$ above BATREG. Bypass with a 10 $\mu$ F/10 V ceramic capacitor to ground.
E1, E2	PGND	Ground	Power Ground for the Buck Converter	The two PGND pins must be connected together externally.

# 4 Electrical characteristics

## 4.1 Maximum ratings

Stress(es) beyond those listed under Absolute Maximum Ratings may cause permanent damage to the device. These are stress ratings only, and functional operation of the device at these or any other conditions beyond those indicated in the following operational sections of the specifications is not implied. Exposure to absolute maximum rating condition(s) for extended periods may affect device reliability.

**Table 3. Maximum ratings**

All voltages are with respect to ground unless otherwise noted.

Symbol	Rating	Min.	Max.	Unit	Notes
<b>Electrical ratings</b>					
	VBUS, PMID to GND	-0.3	20	V	(1)
	LX to GN	-0.3	20	V	(1)
	BOOT to LX	-0.3	5.5	V	(1)
	BOOT to GND	-0.3	25.5	V	
	PGND, BATSNSN to GND	-0.3	0.3	V	(1)
	VL to GND	-0.3	5.5	V	
	VSYS, CHGOUT, BATREG to GND	-0.3	Continuous 6.0	V	
	PGND to GND	-0.3	0.3	V	(1)
	All Other Pins to GND	-0.3	5.5		(1)
$V_{ESD1}$ $V_{ESD3}$	ESD Voltage • Human Body Model (HBM) • Machine Model	— —	2000 200	V	(2) (3)

### Thermal ratings

	Continuous Power Dissipation • $T_A \leq 25\text{ }^\circ\text{C}$ • $T_A \leq 70\text{ }^\circ\text{C}$ • $T_A \leq 85\text{ }^\circ\text{C}$	— — —	2.08 1.14 0.832	W	
$T_A$	Operating Temperature • Ambient	-40	85	$^\circ\text{C}$	
$T_J$	Maximum Temperature • Junction	—	150	$^\circ\text{C}$	
$T_{STG}$	Storage Ambient Temperature	-65	150	$^\circ\text{C}$	
$T_{SOLDER}$	Lead Soldering Temperature (within 10 s)	—	300	$^\circ\text{C}$	
$T_{\theta JA}$	Thermal Resistance Junction to Ambient	—	48	$^\circ\text{C}/\text{W}$	(4), (5)

### Notes

1. GND: all of the PGND and GND should be within the limit.
2. Human Body Model (HBM) per JESD22-A114 for all pins
3. Highly depends on the PCB heat dissipation. Tested with the Thermal Characteristics test condition below.
4.  $T_A = 70\text{ }^\circ\text{C}$
5. Measured in still air, free convection condition (conforms to EIA/JESD51-2) on high effective thermal conductivity JESD51-7 test board.

## 4.2 Electrical characteristics

**Table 4. BC3770 electrical characteristics**

Characteristics noted under conditions:  $V_{VBUS} = 5.0\text{ V}$ ,  $V_{BATREG} = 3.7\text{ V}$ ,  $V_{VIO} = 1.8\text{ V}$ ,  $C_{VBUS} = C_{PMID} = 2.2\text{ }\mu\text{F}$ ,  $C_{VSY} = 10\text{ }\mu\text{F}$ ,  $C_{CHGOUT} = 4.7\text{ }\mu\text{F}$ ,  $C_{VL} = 1.0\text{ }\mu\text{F}$ ,  $L = 1.0\text{ }\mu\text{H}$ ,  $T_A = -40\text{ }^\circ\text{C to }85\text{ }^\circ\text{C}$  \*). Typical values are at  $T_A = 25\text{ }^\circ\text{C}$ , unless otherwise noted. <sup>(6)</sup>

Symbol	Characteristic	Min.	Typ.	Max.	Unit	Notes
<b>VBUS supply</b>						
$V_{BUS\_OP}$ $V_{VIO\_OP}$	Operating Range <ul style="list-style-type: none"> <li>On VBUS</li> <li>On VIO</li> </ul>	4.0 1.6	— —	6.2 3.3	V	
$V_{BUS\_UVLO}$	UVLO Threshold <ul style="list-style-type: none"> <li>VBUS rising, 200 mV Hysteresis, VBUSOK bit set to 1</li> </ul>	3.6	3.8	4.0	V	
$V_{BUS\_OVP}$	OVP Threshold <ul style="list-style-type: none"> <li>VBUS rising to turn off converter, 200 mV Hysteresis</li> </ul>	6.3	6.5	6.7	V	(7)
$V_{AICL\_TH}$	Adaptive-Input Current Limit (AICL) Threshold Range <ul style="list-style-type: none"> <li>VBUS falling, Programmable in 100 mV steps, 4.5 V Default</li> </ul>	4.3	—	4.9	V	
$I_{VBUS\_OP}$	Adaptive-Input Current Limit (AICL) Threshold Range <ul style="list-style-type: none"> <li>In charger enabled, <math>I_{FAST\_CHG} = I_{SYS} = 0\text{ mA}</math>, SHDNB = H, SUSPEN = 0</li> <li>LX No switching, <math>V_{VSY} = V_{BATREG} = 4.4\text{ V}</math> override</li> <li>LX switching w/VSY = 3.7 V in PWM</li> <li>USB suspended mode in SUSPEN=1</li> </ul>	— — —	2.0 15 —	— — 1.0	mA	
$I_{IN\_LIM}$	Input Current Limit Programmable Range <ul style="list-style-type: none"> <li>500 mA default, test 100 mA, 500 mA, 900 mA and 1.9 A only in production</li> </ul>	100	—	2050	mA	
	IIN_LIM Accuracy <ul style="list-style-type: none"> <li>With respect to <math>I_{IN\_LIM} = 100\text{ mA}</math></li> <li>With respect to <math>I_{IN\_LIM} = 500\text{ mA}</math></li> <li>With respect to <math>I_{IN\_LIM} = 900\text{ mA}</math></li> <li>With respect to <math>I_{IN\_LIM} = 2000\text{ mA}</math></li> </ul>	70 70 84 93	85 85 92 100	100 100 100 107	%	(7)
	VBUS Pull-down Resistance <ul style="list-style-type: none"> <li>Off in BOOST Mode</li> </ul>	—	100	—	k $\Omega$	
<b>VL LDO regulator</b>						
$V_{OUT\_VLLDO}$	Output Voltage <ul style="list-style-type: none"> <li><math>V_{PMID} = 5.0\text{ V}</math>, <math>I_{LOAD} = 30\text{ mA}</math></li> </ul>	4.65	4.8	—	V	
$I_{LOAD\_LIM}$	Current Limit <ul style="list-style-type: none"> <li><math>V_{VLLDO} = 3.8\text{ V}</math></li> </ul>	50	—	—	mA	(7)
<b>Switching regulator</b>						
$f_{SW}$	Switching Frequency <ul style="list-style-type: none"> <li>In PWM mode</li> </ul>	1.35	1.5	1.65	MHz	(7)
$D_{MAX}$	Maximum Duty Cycle	—	—	99	%	
$D_{MIN}$	Minimum Duty Cycle	0.0	—	—	%	
$I_{LIM\_CHG}$	Cycle-by-cycle Current Limit for Charger Mode <ul style="list-style-type: none"> <li>For high-side MOSFET in charger mode</li> </ul>	—	3.5	4.7	A	(7)
	Minimum Output Capacitance <ul style="list-style-type: none"> <li>For stability</li> </ul>	-30%	10	—	$\mu\text{F}$	(7)

**Notes**

- Specifications over the  $T_A$  range are assured by design, characterized, and correlated with process control.
- Guaranteed by design, characterization, and correlation with process controls. Not fully tested in production.

**Table 4. BC3770 electrical characteristics (continued)**

Characteristics noted under conditions:  $V_{VBUS} = 5.0\text{ V}$ ,  $V_{BATREG} = 3.7\text{ V}$ ,  $V_{VIO} = 1.8\text{ V}$ ,  $C_{VBUS} = C_{PMID} = 2.2\text{ }\mu\text{F}$ ,  $C_{VSY} = 10\text{ }\mu\text{F}$ ,  $C_{CHGOUT} = 4.7\text{ }\mu\text{F}$ ,  $C_{VL} = 1.0\text{ }\mu\text{F}$ ,  $L = 1.0\text{ }\mu\text{H}$ ,  $T_A = -40\text{ }^\circ\text{C to }85\text{ }^\circ\text{C}$  \*). Typical values are at  $T_A = 25\text{ }^\circ\text{C}$ , unless otherwise noted. <sup>(6)</sup>

Symbol	Characteristic	Min.	Typ.	Max.	Unit	Notes
<b>Power switches</b>						
$R_{DS(on)_Q1}$	Reverse Blocking MOSFET On-resistance • Q1 FET	—	50	—	m $\Omega$	
$R_{DS(on)_Q2}$	Internal High-side MOSFET On-resistance • Q2 FET	—	50	—	m $\Omega$	
$R_{DS(on)_Q3}$	Internal Low-side MOSFET On-resistance • Q3 FET	—	70	—	m $\Omega$	
$R_{DS(on)_Q4}$	CHGOUT to VSYS MOSFET On-resistance • Q4 FET	—	30	—	m $\Omega$	

**VSYS output**

$V_{VSY\_MIN}$	VSYS Min. Regulation Voltage in $I_{IN\_LIM} \geq I_{VSY}$ • In both Trickle and pre-charge mode ( $V_{BATREG} < V_{VSY\_MIN}$ ), $I_{VSY} = 500\text{ mA}$	3.5	3.6	3.71	V	
$V_{VSY\_MIN\_OLP}$	VSYS Min Regulation Voltage in $I_{IN\_LIM} < I_{VSY}$ (VSYS overloaded) • VSYS falling in VSYS overloaded in $V_{BUSOK} = 1$	3.3	3.4	—	V	
$V_{VSY\_MAX}$	SYS Max Regulation Voltage • In $V_{BUSOK} = 1$ , $I_{SYS\_LOAD} = 0\text{ mA}$ , $I_{CHG} = 1.5\text{ A}$	—	$V_{BATREG} + I_{CHG} \cdot R_{DS(on)_Q4}$	$V_{BATREG} + 0.1\text{ V}$	V	
	VSYSOK Threshold • VSYS rising in $V_{BUSOK} = 1$ , VSYSOK bit set to 1	3.4	3.5	3.61	V	(8)
	VSYSNG Threshold • VSYS falling, VSYSNG bit set to 1	3.2	3.3	—	V	(8)
$V_{VSY\_REVERSE}$	Ideal Diode Regulation Voltage • VSYS falling below BATREG, $I_{SYS\_LOAD} = 3.0\text{ A}$	—	$V_{BATREG} - 50\text{ mV}$	$V_{BATREG} - 75\text{ mV}$	V	(8)
$\Delta V_{VSY\_LOAD}$	Load Regulation in Transition • $I_{VSY} = 1.0\text{ mA to }1.0\text{ A}$ in $t_R = 20\text{ }\mu\text{s}$	$V_{BATREG} - 0.2$	$V_{BATREG} - 0.1$	—	V	(8)
$V_{VSY\_UVLO}$	VSYS Undervoltage Lockout Threshold • VSYS falling, 200 mV Hysteresis	2.3	2.4	2.5	V	
$t_{DIODE\_ON}$	Ideal Diode Turn-on Time	—	10	—	$\mu\text{s}$	
$t_{DIODE\_OFF}$	Ideal Diode Turn-off Time	—	10	—	$\mu\text{s}$	

**Battery charger**

$V_{BATREG\_RNG}$	BATREG Programmable Voltage Range • Programmable in 25 mV steps	4.1	—	4.475	V	
$V_{BAT\_REG}$	Voltage Accuracy • $I_{FAST\_CHG} = 0\text{ mA}$ , set to 4.2 V and 4.35 V at $V_{BATREG}$ $T_A = 25\text{ }^\circ\text{C}$ $T_A = -40\text{ to }85\text{ }^\circ\text{C}$	-0.5 -1.0	— —	0.5 1.0	%	
$V_{RCH}$	Recharge Threshold • $V_{BATREG} - V_{BAT\_REG}$	—	-100	—	mV	

Notes

8. Guaranteed by design, characterization, and correlation with process controls. Not fully tested in production.
9. Designed and simulated according to I<sup>2</sup>C specifications except general call support.
10. The regulation in boost is only guaranteed in the operation range.



**Table 4. BC3770 electrical characteristics (continued)**

Characteristics noted under conditions:  $V_{VBUS} = 5.0\text{ V}$ ,  $V_{BATREG} = 3.7\text{ V}$ ,  $V_{VIO} = 1.8\text{ V}$ ,  $C_{VBUS} = C_{PMID} = 2.2\text{ }\mu\text{F}$ ,  $C_{VSY} = 10\text{ }\mu\text{F}$ ,  $C_{CHGOUT} = 4.7\text{ }\mu\text{F}$ ,  $C_{VL} = 1.0\text{ }\mu\text{F}$ ,  $L = 1.0\text{ }\mu\text{H}$ ,  $T_A = -40\text{ }^\circ\text{C}$  to  $85\text{ }^\circ\text{C}$  \*). Typical values are at  $T_A = 25\text{ }^\circ\text{C}$ , unless otherwise noted. <sup>(6)</sup>

Symbol	Characteristic	Min.	Typ.	Max.	Unit	Notes
<b>Battery charger (continued)</b>						
$I_{BAT\_STD}$	Stand-By Current • No VBUS, $V_{BATREG} = 4.2\text{ V}$ , $I_{SYS} = 0\text{ mA}$ , SHDNB = H ( $I^2C$ active), Q4 = On with OCP enabled, ENCOMPparator bit reset to 0, others with default	—	60	—	$\mu\text{A}$	
$I_{BAT\_SHDN}$	Shutdown Current • No VBUS, $V_{BATREG} = 4.2\text{ V}$ , charger disabled, Q4 = On with OCP disabled, SHDNB = L ( $I^2C$ inactive), ENCOMPparator bit reset to 0, others with default	—	—	20	$\mu\text{A}$	
$V_{CHGEN\_ON}$	Charger Enable Threshold • $V_{BUS} - V_{BATREG}$ , rising, valid VBUS detected to enable buck & charging	100	150	200	mV	(11)
$V_{CHGEN\_OFF}$	• $V_{BUS} - V_{BATREG}$ , falling, invalid VBUS detection to disable buck & charging	0.0	50	—		
$V_{TRICKLE}$	Trickle to Pre-charge Mode Change Threshold • $V_{BATREG}$ rising, 100 mV Hysteresis	2.4	2.5	2.7	V	(11)
$I_{TRICKLE}$	Trickle Charge Current • Fixed, $V_{BATREG} = 2.3\text{ V}$ , $V_{SYS} = 3.6\text{ V}$	—	90	—	mA	
$I_{PRECHG}$	Pre-charge Current Programmable Range • 450 mA default and test in production	150	—	450	mA	
$I_{FAST\_CHG}$	Fast-charge Current Programmable Range • 500 mA default, test 500 mA, 1.0 A only in production	100	—	2000	mA	
$I_{TOPOFF}$	Top-off Current Programmable Range • $I_{FAST\_CHG}$ falling, 100 mA default, in 50 mA steps, test 100 mA and 300 mA only in production	100	—	65	mA	
$V_{BAT\_OVP}$	Overvoltage Protection Threshold • BATREG rising	—	$V_{BAT\_REG} + 0.1$	—	V	
	Soft-start Slope Time • In fast charge mode	—	1.17	—	mA/ $\mu\text{s}$	
	Minimum Output Capacitance • On CHGOUT, For stability	-30%	4.7	—	$\mu\text{F}$	(11)
	Charge Current Accuracy • Pre-charge current at 150 mA • Top-off current at 100 mA • $I_{FAST\_CHG} = 1000\text{ mA}$ • $I_{FAST\_CHG} = 2000\text{ mA}$	-20 -20 -7.0 -7.0	— — — —	20 20 7.0 7.0	%	(11)

**Thermal protection**

$T_{SD}$	Thermal Shutdown Temperature • Temperature rising to shutdown with 20 °C hysteresis	—	150	—	°C	(11)
$T_{CF}$	Thermal Regulation Threshold • Rising, charge current starts to reduce and the Interrupt triggered	—	100	—	°C	
	Thermal Regulation Gain • To have no charge current with respect to $I_{FAST\_CHG}$ , $T_J \geq 100\text{ }^\circ\text{C}$	—	3.33	—	%/°C	

**Notes**

11. Guaranteed by design, characterization, and correlation with process controls. Not fully tested in production.

**Table 4. BC3770 electrical characteristics (continued)**

Characteristics noted under conditions:  $V_{VBUS} = 5.0\text{ V}$ ,  $V_{BATREG} = 3.7\text{ V}$ ,  $V_{VIO} = 1.8\text{ V}$ ,  $C_{VBUS} = C_{PMID} = 2.2\text{ }\mu\text{F}$ ,  $C_{VSY} = 10\text{ }\mu\text{F}$ ,  $C_{CHGOUT} = 4.7\text{ }\mu\text{F}$ ,  $C_{VL} = 1.0\text{ }\mu\text{F}$ ,  $L = 1.0\text{ }\mu\text{H}$ ,  $T_A = -40\text{ }^\circ\text{C to }85\text{ }^\circ\text{C}^*$ ). Typical values are at  $T_A = 25\text{ }^\circ\text{C}$ , unless otherwise noted. <sup>(6)</sup>

Symbol	Characteristic	Min.	Typ.	Max.	Unit	Notes
<b>Safety timer</b>						
$t_{PRECHG\_TMR}$	Pre-charge Timer • Time for BAT from $V_{TRICKLE}$ to $V_{SYS\_MIN}$	—	45	—	min.	
	Timer Accuracy	-10	—	10	%	(12)
$t_{TOPOFF\_TMR}$	Top-off Timer • Programmable	10	—	45	min.	
$t_{FAST\_TMR}$	Fast Charge Timer • This timer is automatically disabled when the input current limit is set to 100 mA FASTTIME = 00 FASTTIME = 01 FASTTIME = 10 FASTTIME = 11 (default)	—	3.5 4.5 5.5 disabled	—	hrs.	
<b>Deglitch timer <sup>(12)</sup></b>						
$t_{VBUS\_OVP}$	VBUS Supply OVP Release Deglitch Time • Duration VBUS stays below falling OVP before VSY/Charger/OTG is enabled	—	0.426	—	ms	
$t_{NOBAT}$	NOBAT Release Deglitch Time • Duration $V_{NOBAT}$ stays logic low to enable the charger	—	1.0	—	ms	
$t_{BATOVP}$	BATREG OVP Release Deglitch Time • Duration BATREG stays below falling OVP level to enable charger/OTG	—	7.0	—	ms	
$t_{TRICKLE}$	Trickle to Pre-charge Release Deglitch Time • Duration BATREG stays above trickle charge level to enable pre-charge	—	7.0	—	ms	
$t_{PRCHG}$	Pre-charge to Fast Charge Release Deglitch Time • Duration BATREG stays above pre-charge level to enable fast charge	—	7.0	—	ms	
$t_{TOPOFF}$	Top-Off Deglitch Time • Duration $I_{FAST\_CHG}$ stays below Top-off level to generate an interrupt	—	7.0	—	ms	
$t_{BAT\_RECHG}$	Recharge Deglitch Time • Duration $V_{BATREG}$ stays below the $V_{RCH}$ Threshold	—	27	—	ms	
$t_{WAIT}$	Waiting Time to Initiate Trickle Charge Mode • From $t_{START\_VSY}$ expire to initiate trickle charge	—	27	—	ms	(12)
$t_{WEAK\_DEB}$	Weak Battery Deglitch Time • Duration $V_{BATREG}$ stays below $V_{WEAK\_HYS}$ in ENCOMPARATOR bit = 1	—	27	—	ms	
$t_{START\_VSY}$	VSY Start-up Time • From VBUS stays above UVLO to VSY start-up	—	220	—	ms	
$t_{INT\_MASK}$	Interrupt Mask Time	—	10	—	$\mu\text{s}$	
$t_{TOPOFF}$	Overcurrent Discharge Deglitch Time • Duration $I_{FAST\_DISCHG}$ stays above the overcurrent threshold in Discharge mode to generate an interrupt	—	7.0	—	ms	

**Notes**

12. Guaranteed by design, characterization, and correlation with process controls. Not fully tested in production.

**Table 4. BC3770 electrical characteristics (continued)**

Characteristics noted under conditions:  $V_{VBUS} = 5.0\text{ V}$ ,  $V_{BATREG} = 3.7\text{ V}$ ,  $V_{VIO} = 1.8\text{ V}$ ,  $C_{VBUS} = C_{PMID} = 2.2\text{ }\mu\text{F}$ ,  $C_{VSYs} = 10\text{ }\mu\text{F}$ ,  $C_{CHGOUT} = 4.7\text{ }\mu\text{F}$ ,  $C_{VL} = 1.0\text{ }\mu\text{F}$ ,  $L = 1.0\text{ }\mu\text{H}$ ,  $T_A = -40\text{ }^\circ\text{C to }85\text{ }^\circ\text{C}^*$ ). Typical values are at  $T_A = 25\text{ }^\circ\text{C}$ , unless otherwise noted. <sup>(6)</sup>

Symbol	Characteristic	Min.	Typ.	Max.	Unit	Notes
--------	----------------	------	------	------	------	-------

**Deglitch timer <sup>(12)</sup> (continued)**

$t_{VSYsOK\_DEB}$	VSYSOK Deglitch Time • Duration VSYS stays above 3.6 V to set the VSYSOK interrupt bit = 1 and pull the INTB pin Low in VBUSOK = ENCOMPparator = 1	—	27	—	ms	
$t_{VSYsNG\_DEB}$	VSYSNG Deglitch Time • Duration VSYS stays at/below the $V_{VSYs\_MIN\_OLP}$ threshold to set the VSYSNG interrupt bit = 1 and pull the INTB pin Low in Discharge mode and ENCOMPparator = 1	—	27	—	ms	
$t_{VSYsOLP\_DEB}$	VSYSOLP Deglitch Time • Duration VSYS stays at/below the $V_{VSYs\_MIN\_OLP}$ threshold to set the VSYSOLP interrupt bit = 1 and pull the INTB pin Low in Overload mode and VBUSOK = 1	—	27	—	ms	

**Boost converter**

$I_{S\_OTG}$	Boost Supply Current • In OTG enabled with no load	—	3.0	—	mA	
	Output Regulation Voltage Range • Programmable at PMID	5.0	—	5.2	V	
$I_{LIM\_OTG}$	Cycle-by-Cycle Current Limit	—	2.4	—	A	
$V_{BO\_REG}$	Boost Output Regulation Voltage at VBUS • $3.0\text{ V} \leq V_{BATREG} \leq 4.45\text{ V}$ , set to 5.1 V at PMID, $0\text{ mA} \leq I_{LOAD} \leq 900\text{ mA}$	4.75	5.0	5.25	V	(13), (14)
$I_{BO\_MAX}$	Maximum Continuous Output Current at VBUS • $3.0\text{ V} \leq V_{BATREG} \leq 4.45\text{ V}$	0.9	—	—	A	(13)
$V_{BAT\_MAX\_BO}$	Battery Operation Voltage Range • For the regulated output	3.0	—	4.45	V	(13)
$V_{START\_BO}$	BATREG Start Threshold Voltage for Boost • $V_{BATREG}$ rising	—	2.9	—	V	
$V_{STOP\_BO}$	BATREG Stop Threshold Voltage for Boost • $V_{BATREG}$ falling	—	2.5	—	V	
$V_{BUS\_OVP\_H}$	Overvoltage Protection at VBUS • VBUS rising, 400 mV Hysteresis	—	5.4	—	V	

**INTB**

	Output Low Voltage • $I_{SINK} = 5.0\text{ mA}$	—	—	0.4	V	
--	--	---	---	-----	---	--

**Logic inputs (CHGENB, SHDNB, and NOBAT)**

$V_{IH}$	Logic Input High Voltage	1.2	—	—	V	
$V_{IL}$	Logic Input Low Voltage	—	—	0.4	V	
$R_{PD}$	Pull-down Resistance to GND • On CHGENB & SHDNB pin	—	300	—	k $\Omega$	
$R_{PU}$	Pull-up Resistance to VL • On NOBAT pin	—	300	—	k $\Omega$	

**Notes**

13. Guaranteed by design, characterization, and correlation with process controls. Not fully tested in production.  
14. The regulation in boost is only guaranteed in the operation range.

**Table 4. BC3770 electrical characteristics (continued)**

Characteristics noted under conditions:  $V_{VBUS} = 5.0\text{ V}$ ,  $V_{BATREG} = 3.7\text{ V}$ ,  $V_{VIO} = 1.8\text{ V}$ ,  $C_{VBUS} = C_{PMID} = 2.2\text{ }\mu\text{F}$ ,  $C_{V_{SYS}} = 10\text{ }\mu\text{F}$ ,  $C_{CHGOUT} = 4.7\text{ }\mu\text{F}$ ,  $C_{V_L} = 1.0\text{ }\mu\text{F}$ ,  $L = 1.0\text{ }\mu\text{H}$ ,  $T_A = -40\text{ }^\circ\text{C to }85\text{ }^\circ\text{C}^*$ ). Typical values are at  $T_A = 25\text{ }^\circ\text{C}$ , unless otherwise noted. <sup>(6)</sup>

Symbol	Characteristic	Min.	Typ.	Max.	Unit	Notes
<b>Weak battery detection</b>						
$V_{WEAK\_L}$	Weak Battery Programmable Range • BATREG falling, programmable in 50 mV steps	3.0	—	3.75	V	
	Weak Battery Threshold Accuracy	-5.0	—	0.4	%	(15)
$V_{WEAK\_HYS}$	Weak Battery Voltage Hysteresis • BATREG rising	—	100	—	mV	

**I<sup>2</sup>C interface** <sup>(15), (16)</sup>

$V_{IH\_I2C}$	I <sup>2</sup> C Logic Input High Threshold Voltage • SDA, SCL	1.2	—	—	V	
$V_{IL\_I2C}$	I <sup>2</sup> C Logic Input Low Threshold Voltage • SDA, SCL	—	—	0.4	V	
$V_{OL\_I2C}$	I <sup>2</sup> C Logic Output Low Voltage • SDA at 3.0 mA sink current	—	—	0.4	V	
$f_{SCL}$	SCL Clock Frequency	0.0	—	400	kHz	

## Notes

15. Guaranteed by design, characterization, and correlation with process controls. Not fully tested in production.  
16. The regulation in boost is only guaranteed in the operation range.

# 5 Functional device operation

## 5.1 Introduction

The BC3770 is a fully programmable switching charger with a single-input for USB/DCP adapter and a dual-path output for single-cell Li-Ion and Li-Polymer batteries. The dual-path output allows mobile applications with a fully discharged or dead battery to boot up the system through the VSYS output. High-efficiency and switch-mode operation of the BC3770 reduce thermal dissipation and allows the battery to charge faster with a higher current capability. The BC3770 supports single input up to 20 V max. absolute voltage and charges the battery with the current up to 2.0 A. Owing to a high-efficiency in a wide range of input voltages and charging currents, the switch mode charger is a good choice for fast charging with less power loss and better thermal management than a linear charger. The charging parameters and operating modes are fully programmable over an I<sup>2</sup>C interface that operates up to 400 kHz in full speed. The BC3770 features a highly integrated synchronous switch-mode charger, intelligent power-path, VSYS stable control scheme in overload condition, and an automatic battery detection function. The charger and boost regulator circuit switches at 1.5 MHz, to minimize the size of external passive components.

To ensure USB compliance and minimize charging time, the input current is able to be limited to the value set through the I<sup>2</sup>C. The setting of charge top-off current is also programmable over I<sup>2</sup>C.

The BC3770 provides battery charging in four modes: trickle, pre-charge, fast charge (constant current), and full-charge (constant voltage). The charging restart circuit automatically restarts the fast-charge cycle in full-charge mode when the battery falls below an internal threshold over the deglitch time and detected top-off threshold. Input and charge status are reported to the processors through the interrupt pin, INTB. Charge current is reduced when the die temperature reaches 100 °C, while the system current is maintained. The BC3770 is able to operate as a boost regulator for USB-OTG devices over I<sup>2</sup>C.

## 5.2 Features

- Dual-path output to power-up system in dead battery
- Single Input for USB/TA
- High-efficiency synchronous switching regulator
- 20 V maximum withstanding input voltage
- Minimize the charging time with remote sense
- Up to 2.0 A load current for system or battery
- Programmable charge parameters via I<sup>2</sup>C compatible interface
  - Fast charge current
  - Charge termination current
  - Battery regulation voltage
  - Pre-charge current
  - Fast charge threshold voltage
  - Charge reduction threshold voltage
- 400 kHz full-speed I<sup>2</sup>C interface
- 1.5 MHz switching frequency
- Charge reduction mode for maximizing charging efficiency
- Protection
  - Thermal protection
  - Thermal regulation
  - Input/output overvoltage protection
  - Adaptive input current limit protection (AICL)
  - Reverse leakage protection
  - No battery detection over pin detection
  - Battery OVP protection
  - Overcurrent protection in discharge mode
- Boost mode operation for USB OTG
  - Output voltage: 5.0 V to 5.2 V, programmable at 900 mA

## 5.3 Operational modes

### 5.3.1 Undervoltage lockout (UVLO)

The BC3770 has a typical undervoltage lockout threshold of 3.8 V, with a 200 mV hysteresis, rising on VBUS. VSYS also has a falling 2.5 V typical with 200 mV hysteresis. When the input supply voltage is below the 3.6 V typical UVLO falling level, the PWM buck converter turns off.

### 5.3.2 Registers reset

All programmable registers in the device are reset to the default values when the following condition is met.

- Reset Condition:  $VSYS \leq V_{SYS\_UVLO}$

### 5.3.3 Q4 FET on in no valid VBUS

If the battery is connected with the voltage above a typical of 2.4 V and no any valid input power source is attached, the Q4 FET between VSYS and CHGOUT turns On and connects the Battery to the system, regardless of status of SHDNB. The VL regulator stays off.

### 5.3.4 Charge mode

The BC3770 performs the following pre-qualification process before initiating the Charging mode:

1. Input Voltage: Detect the validation of VBUS power source, charger enable threshold, and Adaptive-Input Current Limit (AICL) threshold. If the falling VBUS hits the AICL threshold, the charging current is reduced to limit the amount of drop on VBUS power source. In addition, the device senses the input voltage is at least above BATREG + 150 mV.
2. Battery Presence Detection: Detect the status of battery presence through the NOBAT pin. If the voltage on the NOBAT pin is above the logic high threshold, the charging is suspended (Internal Q4 FET is open). However, VSYS is regulated at VVSYS\_MAX as long as a valid input source is attached.
3. Battery Voltage: Sense the battery voltage if it is less than the BAT OVP threshold.
4. Die Temperature: If the die temperature is above 130 °C or less than 150 °C, charging is suspended.
5. Overvoltage Detection (OVP): Sense if the VBUS is less than the OVP threshold. If the OVP condition is detected, the PWM converter is immediately shut off.
6. Validation of Software and Hardware Enable signals: Detect the status of software enable bit, CHGEN=1, SUSPEN=0, and hardware pin of CHGENB=LOW.

This pre-qualification process is continuously monitored and charging is suspended until all conditions are met.

### 5.3.5 Charging profile

#### 5.3.5.1 Trickle-charge mode

Trickle-charge mode is automatically enabled in 27 ms after the VSYS start-up time expires. The battery is charged with a fixed 90 mA charge current until the battery voltage reaches the threshold, 2.5 V typical in rising. This threshold is not programmable over I<sup>2</sup>C. As soon as the battery voltage crosses over the threshold, a pre-charge mode is activated automatically after the fixed deglitch time. This allows the protection circuit in the battery pack to be reset with no damage, and brings the battery voltage to a higher level.

#### 5.3.5.2 Pre-charge mode

The Pre-charge mode is enabled in  $t_{TRICKLE}$  when the battery voltage crosses over a typical 2.5 V. The safety timer called pre-charge timer,  $t_{PRECHG\_TMR}$ , 45-minute counts at the same time as well. This timer is reset as soon as the Fast-charge mode is initiated. This allows a deeply discharged battery to charge safely. The pre-charge current is programmable from 150 mA to 450 mA in 100 mA steps over I<sup>2</sup>C. If the battery voltage does not exceed the  $V_{VSYS\_MIN}$  threshold before the timer expires, charging is suspended and a fault signal is asserted via the INTB pin. If the VSYS voltage drops due to the limited input power source during the mode, the charge current is automatically reduce to maintain the VSYS as low as at 3.4 V. If the load is still overloaded, even in no charge current and limited input current, the VSYS can't help the collapse.

### 5.3.5.3 Fast-charge mode (constant-current mode)

The Fast-charge mode is entered in  $t_{PRECHG}$  when the battery voltage exceeds the  $V_{V_{SYS\_MIN}}$  threshold of a typical 3.6 V. During this mode, the battery is charged with a programmable fast-charge current. The fast-charge current is programmable from 100 mA to 2000 mA with a 500 mA default. Fast-charge current is always limited by the input current limit setting. As soon as the battery voltage reaches the  $V_{V_{SYS\_MIN}}$  threshold,  $V_{SYS}$  tracks the battery voltage through the Q4. This is called "tracking mode". In tracking mode, power dissipation is minimized by  $RDSON\_Q4 \times I_{FAST\_CHG}$ . However, if the  $V_{SYS}$  voltage drops during the fast-charge mode, the charge current is automatically reduce to keep the dropout voltage, to ensure proper operation of charging circuitry. During this fast-charge mode, the safety timer called fast charge timer,  $t_{FAST\_TMR}$ , counts. If the battery voltage does not reach the  $V_{BAT\_REG}$  threshold before the timer expires, charging is suspended and a fault signal is asserted via the INTB pin. This timer is programmable and is disabled by default. This timer is automatically disabled when the input current limit is set to 100 mA.

### 5.3.5.4 Full-charge mode (constant-voltage mode)

As soon as the  $BATREG$  voltage reaches the  $V_{BAT\_REG}$  threshold, the fast-charge current is reduced to a programmable top-off current. The  $V_{BAT\_REG}$  regulation threshold is programmable from 4.1 V to 4.475 V in 25 mV steps.

### 5.3.5.5 Top-off mode (constant-voltage mode)

If the charge current down to a pre-programmed top-off current threshold is sensed over  $t_{TOPOFF}$ , the safety timer called top-off timer,  $t_{TOPOFF\_TMR}$ , 45-minute by default, automatically counts. The top-off interrupt event is reported to the processor via the INTB. As soon as the processor reads the interrupt registers, the processor is able to turn off the charger by either  $CHGENB = H$ ,  $CHGEN = 0$ , or wait until the timer expires in  $AUTOSTOP=1$ . The top-off current is programmable from 100 mA to 650 mA in 50 mA steps. 100 mA is the default.

### 5.3.5.6 Done mode (constant-voltage mode)

After the top-off timer expires, the charger is Off automatically in  $AUTOSTOP=1$ . However, the charger stays at CV (Constant-voltage mode) in  $AUTOSTOP=0$  even though the top-off timer expires. The interrupt signal of Done is reported to the processors via the INTB pin, regardless of the  $AUTOSTOP$  status.

## 5.3.6 Boost (OTG) mode

Similar to Charge mode operation, in OTG mode enabled by I<sup>2</sup>C control bit,  $ENBOOST = 1$ , the device provides a regulated output voltage to  $VBUS$  from the battery. In Boost mode, the device first converts the battery voltage to a target voltage at  $PMID$ , then bypasses it to the  $VBUS$  pin with load current up to 900 mA to support USB OTG devices. In order to have a final regulated output at  $VBUS$ , the minimum input at  $BATREG$  should be at least or above 3.0 V. To activate Boost mode, all of the following conditions should be met in advance.

1. Either the  $CHGEN$  bit resets to "0" or  $CHGENB = HIGH$  (meaning for "charger disabled")
2. The  $VBUS$  voltage must be less than the  $UVLO$  falling threshold
3. No Fault Conditions
4.  $SUSPEN$  bit reset to "0"

Then set the  $ENBOOST$  bit to "1". In this Boost mode, the following functions are consequently disabled.

- AICL
- Charging

### 5.3.6.1 Soft-start in Boost mode

When Boost mode is enabled, the  $PMID$  is regulated to a pre-programmed voltage. After  $PMID$  reaches a preset target regulation voltage, the FET between  $PMID$  and  $VBUS$  turns On slowly to minimize the inrush current. The output current limit is ramped up to the boost output current limit. This soft-start counter is not initialized when one of next conditions occur.

1. Die temperature exceeds  $T_{SD}$
2. No battery detection ( $NOBAT = H$ ) on  $NOBAT$
3. Voltage on  $VBUS$  rises over  $V_{BUS\_OVP}$
4. Voltage on the  $BATREG$  pin rises over  $V_{BAT\_MAX\_BO}$
5. Voltage on the  $BATREG$  pin falls below  $V_{STOP\_BO}$

## 5.3.7 Battery recharge

Regardless of the AUTOSTOP bit status, the re-charge of the battery is able to be performed in two ways.

### 1. Automatic Enable

After a top-off threshold or Done is detected and the battery voltage drops below the recharge threshold,  $V_{RCH}$ , over the deglitch time, a typical of 27 ms, the charger automatically resumes the charging. In this mode, the interrupt signal of "recharge" is reported to a processor via the INTB pin. However if the battery voltage recovers above the threshold within 27 ms, the charging restart is not resumed and an interrupt event is not reported. The threshold is a fixed value of -100 mV.

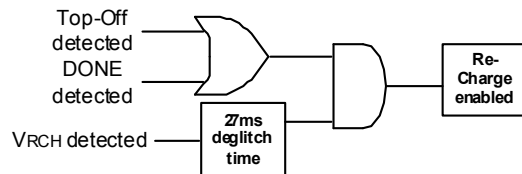


Figure 4. Re-charge enabled in the automatic way

### 2. Manual Enable

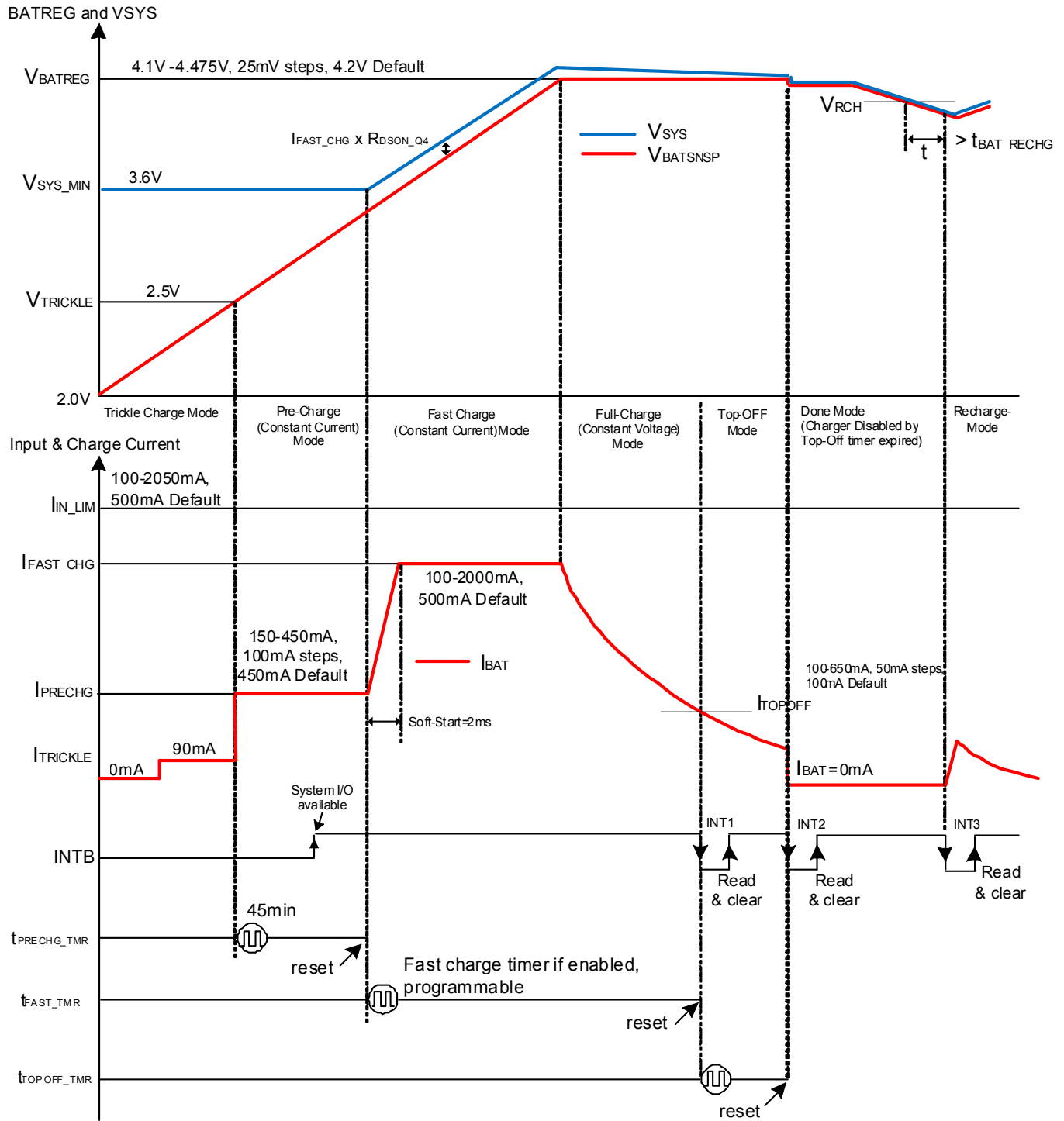
The Application Processor (AP) is able to turn off the charger after the top-off or Done state is detected. Once the charger is enabled by the processor and if the recharge conditions are met, the charger automatically charges the battery.

## 5.3.8 Soft-start

The BC3770 provides a soft-start in the transition from Pre-charge to Fast-charge mode to allow for a smaller voltage drop on VSYS and to prevent input current and voltage transients. However, there is no soft-start in recharge mode. In summary, the following is the typical charging profile where the following conditions are met in advance.

- A valid input is detected
- No AICL threshold detected
- All timers reset
- Input current limit > fast-charge current
- No SYS current
- Input current limit not detected
- No status changes on CHGEN = 1, CHGENB = LOW, SUSPEND = 0 and AUTOSTOP = 1
- $V_{RCH} = -100$  mV
- Related interrupt bits not masked
- Deep battery with 2.0 V attached in advance
- Deglitch time excluded





Note 1: INT1 for Top-Off Interrupt, INT2 for Done Interrupt, INT3 for Recharge Interrupt  
 Note 2: The time of Read & Clear depends on the processor.  
 Note 3: Each deglitch time is not included.  
 Note 4: Charger restart condition is made on purpose to show the behavior.

**Figure 5. Typical charging profile in no fault condition**

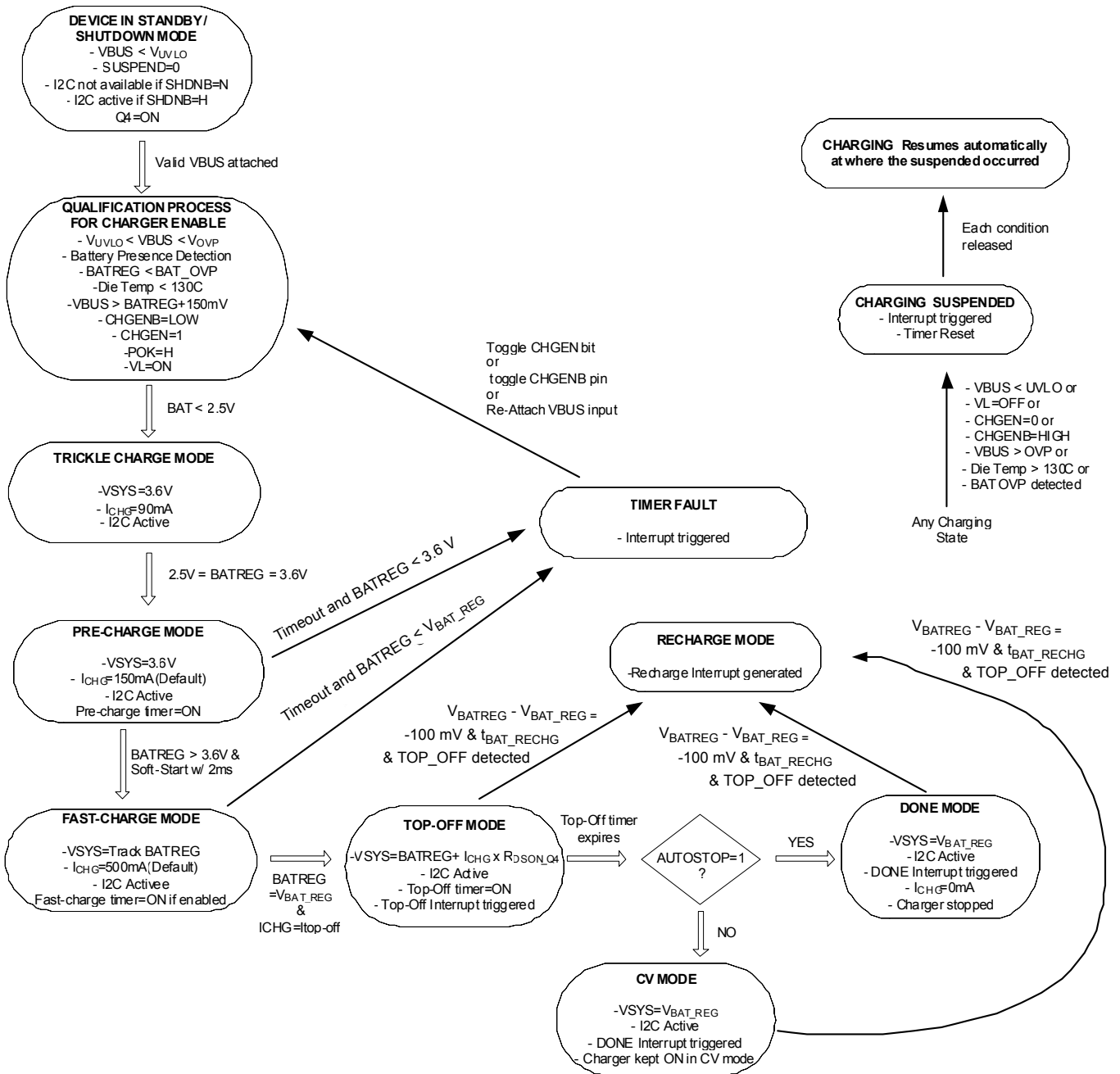


Figure 6. Charger state diagram

### 5.3.9 Safety timer

There are three safety timers on the device: a pre-charge timer, a fast charge timer, and a top-off timer. The pre-charge is fixed at 45 minutes, and the fast charge and the top-off timer are programmable over I<sup>2</sup>C. The reset conditions for each timer are described with the following.

1. Pre-charge timer is reset in one or more of the following ways:
  - BATREG crosses over the V<sub>SYSTMN</sub> minimum threshold of 3.6 V
  - Falling V<sub>BUS</sub> UVLO detected
  - CHGENB = HIGH
2. Fast-charge timer is reset in one or more of the following ways:
  - BATREG hits the regulation voltage V<sub>BAT\_REG</sub> and the charge current hits the top-off current threshold
  - Falling V<sub>BUS</sub> UVLO detected
  - CHGENB=HIGH or CHGEN reset to "0" before expiration
3. Top-off timer is reset in one or more of the following ways:
  - BATREG hits the regulation voltage V<sub>BAT\_REG</sub>, the charge current hits the top-off current threshold, and the timer expires in AUTOSTOP = 1
  - Falling V<sub>BUS</sub> UVLO detected
  - CHGENB = HIGH or CHGEN reset to "0" before expiration

However, all safety timers are reset commonly in the following fault conditions:

- BAT OVP detected
- V<sub>BUS</sub> OVP detected
- Thermal shutdown

If all fault conditions are released, the timer resumes to start.

### 5.3.10 V<sub>SYSTMN</sub>

When being charged from V<sub>BUS</sub>, if the battery voltage becomes close to the minimum system voltage threshold, V<sub>SYSTMN</sub> (3.6 V), V<sub>SYSTMN</sub> tracks the battery voltage up to a preset V<sub>BAT\_REG</sub>. A load current from an input is provided to both V<sub>SYSTMN</sub> and the battery with up to a maximum input limit programmed value.

The device regulates the system supply voltage, V<sub>SYSTMN</sub> (3.6 V), in Trickle and Pre-charge mode, which allow the application system to be booted up even in dead or deeply discharged battery. The device has the system output, V<sub>SYSTMN</sub>, priority over charge current, which gives the required load for the system while reducing the charge current, if the input current is limited. System path also allows accurate charge cycle since it allows the system to know precisely when the charging current has hit the current termination threshold vs. implementations, where the battery and the system are connected to the same node. When the battery voltage crosses the minimum system voltage threshold, V<sub>SYSTMN</sub>, the V<sub>SYSTMN</sub> tracks the battery voltage with an appropriate voltage differential by R<sub>DS\_ONQ4</sub> x charge current. This insures the minimum power dissipation on the device comes true. When the battery charging is completed, the system node, V<sub>SYSTMN</sub>, is regulated to V<sub>BAT\_REG</sub> + R<sub>DS\_ON</sub> x charge current (if available). If the charge current becomes truly 0 mA, the V<sub>SYSTMN</sub> is technically equal to the battery voltage.

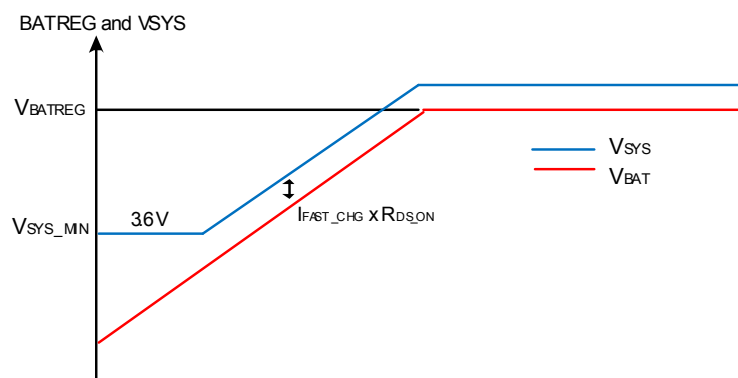


Figure 7. V<sub>SYSTMN</sub> tracking BATREG

### 5.3.10.1 Charger enable control

The CHGEN bit in the control register and CHGENB pin are used to enable or disable the charging process.

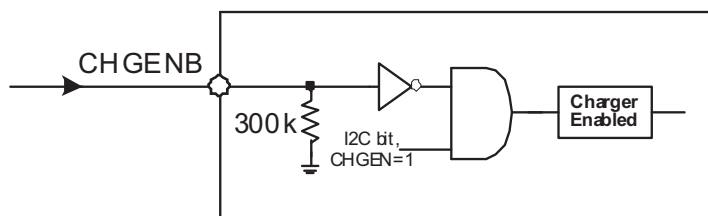


Figure 8. Charger enable

If the CHGENB pin is not used in the application, leave the pin float since CHGENB has an internal 300 kΩ pull-down resistance to ground.

### 5.3.10.2 Battery presence detection

The BC3770 monitors battery presence via the NOBAT pin in any condition. This function utilizes the pull-down resistor on VF in the battery pack. If no battery is detected, the charging is suspended immediately and the corresponding interrupt event is reported to the processor via the INTB pin. If the NOBAT pin needs to be connected to an ADC input on the main processor, a resistor-divided configuration in fig should be done to lower the voltage rating to 1.8 V.

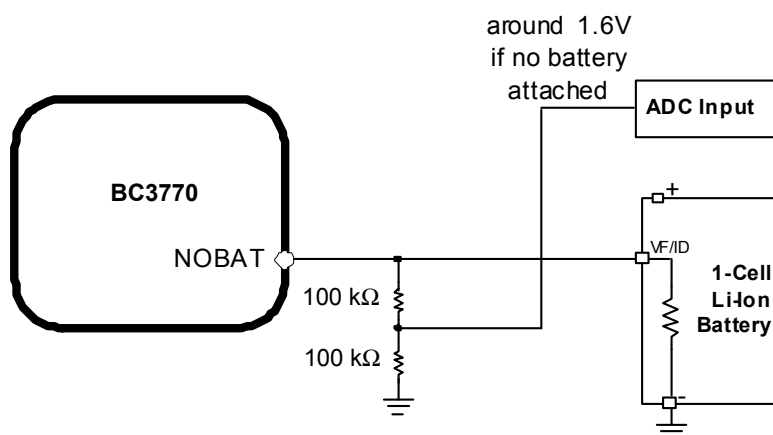


Figure 9. Resister divided network

If NOBAT is not used as a battery presence indicator, the following configuration is also possible.

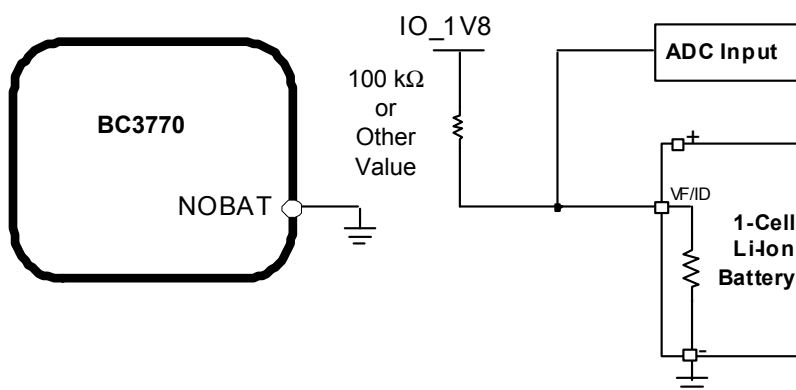


Figure 10. Resister divided network option



### 5.3.10.5 Supplement mode

When the VSYS voltage falls below the battery voltage while a valid input is attached, the Q4 FET turns On and the Q4 FET gate regulates the gate drive of Q4 so the minimum VSYS stays at 50 mV below BATREG in the Supplement mode. This prevents oscillation from entering and exiting Supplement mode. As the discharge current increases, the Q4 gate is regulated with a higher voltage, to reduce  $R_{DS(on)}$  until Q4 is full conduction.

### 5.3.10.6 Charging current reduction in VSYS overload

When the input current limit is detected in Charge mode by either a system overload or a programmed value is lower than the sum of load current and charge current, the device reduces the charge current until the limited input current falls below the preset current limit threshold, and the input voltage rises above the input voltage limit while maintaining the VSYS voltage at 3.4 V.

Although the charge current is reduced to 0 mA, the input power source is still overloaded, and the system voltage starts to drop. Once the system voltage falls 50 mV below the battery voltage, the device automatically enters the Supplement mode and the battery starts discharging so the system is supported from the both the input supply and battery. An corresponding interrupt for VSYS overload triggers via the INTB pin.

## 5.4 Protection and diagnosis features

### 5.4.1 Input overvoltage protection

When the input voltage exceeds the overvoltage protection (OVP) threshold, internal switches immediately turn off and disconnect the load and the charger from the power source, preventing damage to any downstream components. Simultaneously, the fault flag is triggered, alerting the system. As soon as the OVP event stays over the deglitch time,  $t_{INPUT\_OVP}$ , the converter resumes.

### 5.4.2 Battery (BAT) overvoltage protection

When the BATREG voltage exceeds the battery overvoltage protection threshold,  $V_{BAT\_OVP}$  (typ.  $V_{BAT\_REG} + 0.1$  V), the device turns off the PWM converter and sets the fault status bit. Simultaneously, the fault flag is asserted, alerting the system. There is a 0.1 V hysteresis in the internal threshold voltage. If the OVP event over the deglitch time is released, the converter and charging resume.

### 5.4.3 Reverse blocking

In the reverse blocking mode ( $V_{BUS} - V_{BATREG} \leq 50$  mV (typ.)), charging is disabled and the device is entered into Charger-suspended mode to minimize current drain from BATREG.

### 5.4.4 Thermal regulation and protection

When the device's die temperature reaches  $T_{CF}$  (around 100 °C), the device reduces the charge current by around 3.33% of the fast-charge current per °C. This drives the charge current down to 0 mA at 130 °C. Since the system load has priority over the battery charging, the battery charge current is reduced to 0 mA before the input limiter drops the system load current. If the junction temperature rises beyond 130 °C and then hits 150 °C, the PWM switcher shuts down to allow no input current from the input source. This prevents further die heating. In this condition, the system output voltage is regulated at BATREG. This internal thermal protection helps to improve device reliability. The device automatically goes back to normal operation when the die temperature cools down below 130 °C. In these thermal regulation and shutdown modes, I<sup>2</sup>C access is still active.

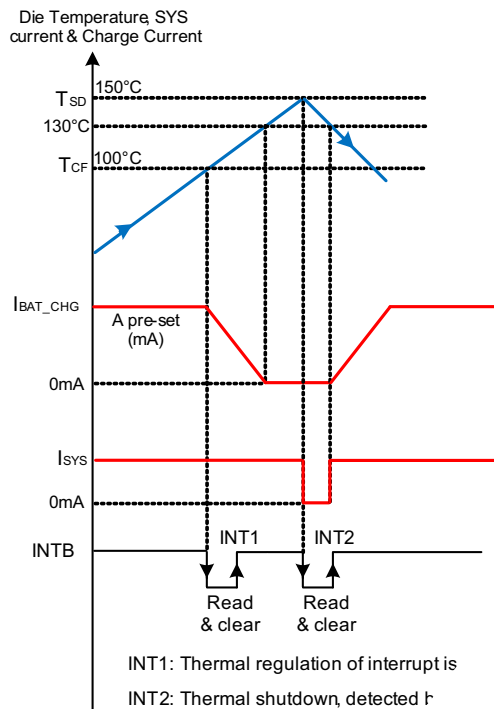


Figure 12. Thermal regulation

## 5.4.5 Weak battery detection

A weak battery detection function allows the processor to acknowledge the low-battery condition. To prevent false voltage transients from interrupting the processor unnecessarily, the out-of-range condition must stay at least for the deglitch time of 27 ms, before an interrupt is generated. If the battery voltage goes back in range before the deglitch time, no corresponding interrupt is generated.

## 5.4.6 DC-DC PWM converter

The device features an integrated fixed 1.5 MHz frequency. The device uses a peak current mode PWM controller to regulate the output voltage and battery charge current. The low-side FET (Q3) also has a current limit that decides if the PWM controller can operate in boost mode. The threshold is set to 100 mA and turns off the high-side N-channel FET (Q2) before the current reverses, preventing the battery from discharging.

## 5.4.7 Interrupt

The device uses the Interrupt pin, INTB, to indicate if the status on the device has changed. The Interrupt is asserted whenever one or more interrupt events are detected in its operation. The processor reads the interrupt registers to see the source of interrupt event(s). Interrupt bit(s) is (are) only cleared by reading all or some corresponding bits in the interrupt registers. If an interrupt bit is masked in an interrupt event, the corresponding interrupt bit is still set to 1 in the corresponding register. However, the INTB interrupt pin is not asserted to low. When the corresponding mask bit is set to “0” because of an earlier interrupt event, the interrupt pin for the corresponding interrupt event is asserted low to alert the processor after the  $t_{INT\_MASK}$  delay time, typically 10  $\mu$ s. If the abnormal condition continues after the processor reads a corresponding interrupt bit, the corresponding interrupt bit is no longer set to “1”.

### 5.4.7.1 Comparators for interrupt events

To save the idle current in Stand-by or Shutdown mode, the internal comparators that detects “Weak Battery” status, “VSYSOK or NG” status, the “Battery OVP” status and “Discharge Limit” status are capable of being disabled over the I<sup>2</sup>C interface by resetting the “ENCOMPARATOR” bit 6 to 0 in the 07h register. The comparators are enabled by default.

If the comparators are disabled in “no valid supply” on VBUS, the VBUSOK signal overrides the bit set to 1 by force, to detect weak battery detection, VSYSOK or NG detection, and BATOVP detection. This wakes up the comparators to notify the application processor of these interrupt events.

## 5.5 Logic commands and registers

### 5.5.1 Serial interface

I<sup>2</sup>C is a two-wire serial interface developed by Phillips Semiconductor. The bus consists of a data line, SDA, and a clock line, SCL, with pull-up structures. When the bus is idle, both the SDA and SCL lines are pulled high. All the I<sup>2</sup>C compatible devices connect to the I<sup>2</sup>C bus through open drain I/O pins, SDA, and SCL. A master generates the clock signal and device addresses. The master also generates specific conditions that indicate the START and STOP of data transfer. A slave device receives and/or transmits data on the bus under the master device.

The device works as a slave and is compatible with the following data transfer modes, as defined in the I<sup>2</sup>C-Bus Specification: Standard mode (100 kbps) and Fast mode (400 kbps). The interface adds flexibility to all necessary control options of the program, and enables most functions to be programmed to the new values, depending on the instantaneous application requirements. I<sup>2</sup>C is asynchronous, which means that it runs off of SCL. The data transfer protocol for Standard and Fast modes is exactly the same.

#### 5.5.1.1 Bus speed

The device I<sup>2</sup>C interface supports bus SCL clock speeds up to 400 kbps for Full-speed mode. The SCL and SDA input buffers incorporate spike suppression and Schmitt triggers to reject short glitches, as required by the I<sup>2</sup>C specifications.

#### 5.5.1.2 Data validity

During all transmissions, the master ensures the data is valid. A valid data condition requires the SDA line to be stable during the High period of the clock (see Figure 13). The High or Low state of the data line can only change when the clock signal on the SCL line is Low (see Figure 1). One clock pulse is generated for each data bit transferred.

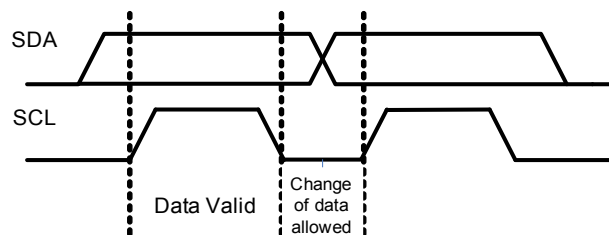


Figure 13. Bit transfer on the I<sup>2</sup>C bus

#### 5.5.1.3 Start and stop condition

All transactions begin with a START (S) and can be terminated by a STOP (P) (see Figure 2). A High to Low transition on the SDA line while SCL is High defines a START condition. A Low to High transition on the SDA line while SCL is High defines a STOP condition.

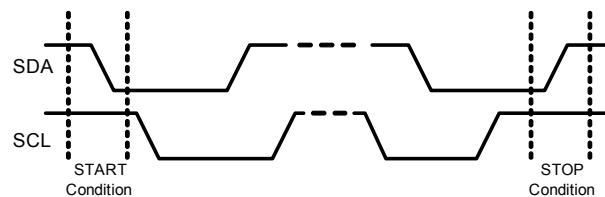


Figure 14. START and STOP conditions

START and STOP conditions are always generated by the master. The bus is considered to be busy after a START condition. The bus is considered to be free again a certain time after the STOP condition.



## 5.5.1.4 Byte format

Every byte put on the SDA line must be eight bits long. The number of bytes that can be transmitted per transfer is unrestricted. Each byte has to be followed by an acknowledge bit. Data is transferred with the Most Significant Bit (MSB) first. If a slave cannot receive or transmit by servicing an internal interrupt, it can hold the clock line SCL Low to force the master into a wait state. Data transfer then continues when the slave is ready for another byte of data and releases clock line SCL.

## 5.5.1.5 Acknowledge (ACK) and not acknowledge (NACK)

The acknowledge bit is used for handshaking purpose between the master and slave. The master and slave both can either receive or send eight bits of serial data, depending on whether the master sends device's read address or write address at the beginning of the data transfer sequence. In either case, the receiver must send an acknowledge bit to the transmitter to complete transmission of one data byte without any errors. When the device is written to, it acknowledges its write address as well as the following data bytes. When it is read from, device only acknowledges its read address.

The device generates an acknowledge bit, right after receiving eight bits of data, by pulling SDA Low during the INTB clock pulse's entire High period. The master generates a similar acknowledge byte when it reads from device. The transmitter must let go of SDA during the ninth clock cycle's high period, to allow the receiver to generate an acknowledge bit. The generation of the acknowledge bit is shown in [Figure 15](#).

When SDA remains High during this 9th clock pulse, this is defined as the Not Acknowledge signal. The master can then generate either a STOP condition to abort the transfer, or a repeated START condition to start a new transfer. There are five conditions that lead to the generation of a NACK:

1. No receiver is present on the bus with the transmitted address, so there is no device to respond with an acknowledge.
2. The receiver is unable to receive or transmit, because it is performing some real-time function and is not ready to start communication with the master.
3. During the transfer the receiver gets data or commands it does not understand.
4. During the transfer, the receiver cannot receive any more data bytes.
5. A master-receiver needs to signal the end of the transfer to the slave transmitter.

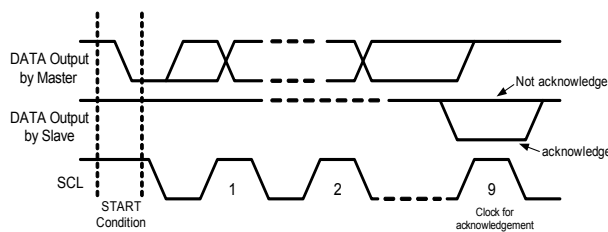


Figure 15. BUS acknowledge cycle

## 5.5.2 Writing to control registers

To write to device control registers, the master needs to initiate a communication link by first generating a START condition on the I<sup>2</sup>C bus. The master then sends the Write address. If the address matches to device's Write address, the device sends an acknowledge bit to the master. Next, the master sends the control register address. If device receives a valid I<sup>2</sup>C control register address, it returns an acknowledge bit. Following this, the master sends a byte of data to be written. The device receives this byte of data and sends an acknowledge bit back to master. The internal control register is updated right after an acknowledge bit is sent to master. If all the control registers need to be updated at once, there is no need to repeat the device and register address. The register address is incremented in the I<sup>2</sup>C block right after the acknowledge bit. Therefore, all the control registers' byte data can be updated serially at once. The write data format in single packet is shown in Figure 16 and Figure 17.

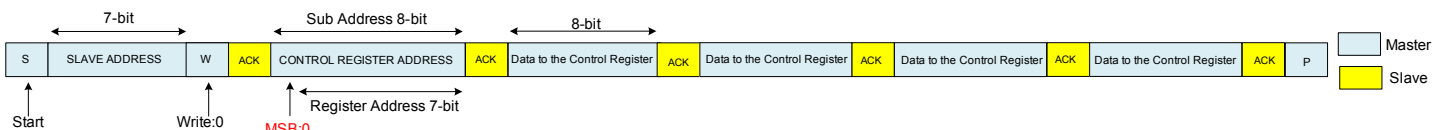


Figure 16. Repeated data write to a single register

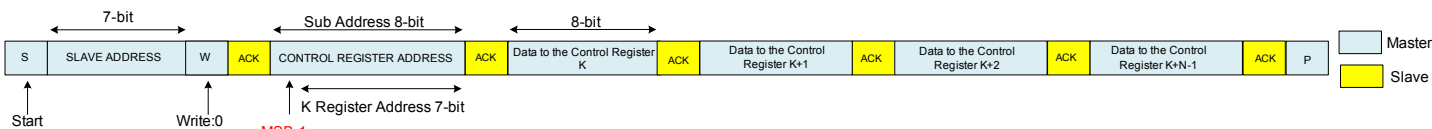


Figure 17. Burst data write to multiple registers

Note: A single byte read is initiated by the master with P immediately following the first data byte.

## 5.5.3 Reading to control registers

To read from device registers, the master has to generate a START condition. The master then must supply the device Write address. If this address matches the device Write address, an acknowledge bit is sent to master. Following this, the master sends the register address from which the master wants to read data. If the register address is valid, an acknowledge bit is returned to master. The master then sends a repeated START condition followed by device Read address. The device sends an acknowledge bit if the Read address is valid. Next, the device I<sup>2</sup>C sends a byte of data from the previously received register address. If the master acknowledges, then the register address in the device is incremented by one and the data from this register is sent to master again. Therefore, multiple registers can be read without sending repeated device and register addresses to device. If the master does not acknowledge or sends a STOP condition, the Read cycle is terminated. The device supports combined mode and split mode as shown in Figures 18 to 21.

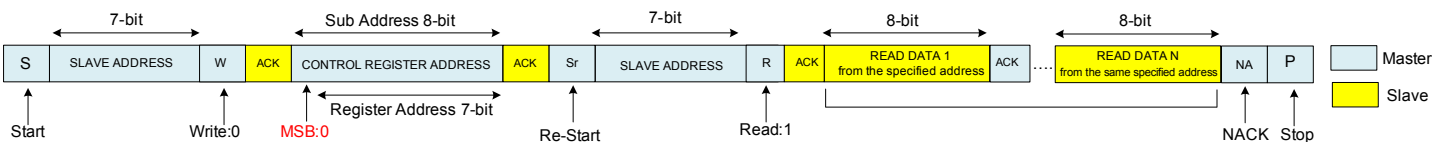


Figure 18. Repeated data read from a single register- combined mode

Note: A single byte read is initiated by the master with P immediately following first data byte.

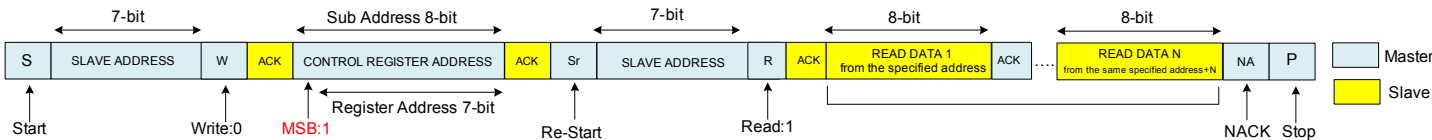


Figure 19. Burst data read from multiple registers- combined mode

Note: A single byte read is initiated by the master with P immediately following first data byte.

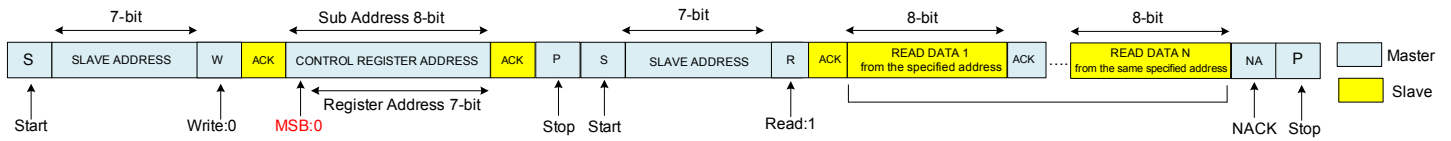


Figure 20. Repeated data read from a single register- split mode

Note: A single byte read is initiated by the master with P immediately following first data byte.

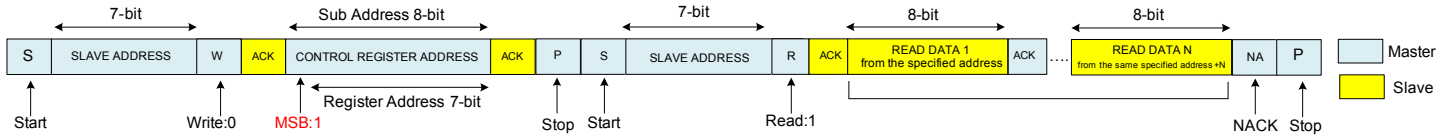


Figure 21. Burst data read from multiple registers- split mode

Note: A single byte read is initiated by Master with P immediately following first data byte.

## 5.5.4 I<sup>2</sup>C control registers

The BC3770 has one Full-speed I<sup>2</sup>C control for the application processor (AP).

**Register Reset Condition:** All registers in the I<sup>2</sup>C block are reset each time the VSYS falls below its falling UVLO threshold (typ. 2.5 V).

### 5.5.4.1 Slave address

The device supports 7-bit addressing only.

Bit 7, MSB	Bit 6	Bit 5	Bit 4	Bit 3	Bit 2	Bit 1	Bit 0, LSB
1	0	0	1	0	0	1	R/W

Slave address in binary	Slave address (write) in hex	Slave Address (Read) In hex
1001 001x	92	93

#### Acronyms

R: Read

R/C: Read and Clear

R/W: Read and Write

## 5.5.5 Control register map

Address (hex)	Register name	Reset (hex)	Bit 7	Bit 6	Bit 5	Bit 4	Bit 3	Bit 2	Bit 1	Bit 0
00	INT1	00	VBUSOVP	VBUSUVLO	VBUSINOK	AICL	VBUSLIMIT	BATOVP	THEMSHDN	THEMREG
01	INT2	00	FASTTMROFF	NOBAT	WEAKBAT	OTGFAIL	PRETMROFF	CHGRSTF	DONE	TOPOFF
02	INT3	00	Reserved	Reserved	Reserved	Reserved	VSYSOK	VSYSNG	VSYSOLP	DISLIMIT
03	INTMSK1	03	VBUSOVPM	VBUSUVLOM	VBUSINOKM	AICLM	VBUSINLIMITM	BATOVPM	THEMSHDNM	THEMREGM
04	INTMSK2	B8	FASTTMROFFM	NOBATM	WEAKBATM	OTGFAILM	PRETMROFFM	CHGRSTFM	DONEM	TOPOFFM
05	INTMSK3	FF	Reserved	Reserved	Reserved	Reserved	VSYSOKM	VSYSNGM	VSYSOLPM	DISLIMITM
06	STATUS	N/A	Reserved	Reserved	Reserved	VSYSOLP	DISLIMIT	THEMSHDN	BATDET	SUSPEND
07	CTRL	42	Reserved	ENCOMPARTOR	Reserved	Reserved	RESET	SUSPEN	CHGEN	ENBOOST
08	VBUSCTRL	08	Reserved	Reserved	VBUSLIMIT					
09	CHGCTRL1	2F	Reserved	AICLTH			AUTOSTOP	AICLEN	PRECHG	
0A	CHGCTRL2	08	Reserved	Reserved	FASTCHG					
0B	CHGCTRL3	4C	BATREG				WEAKBAT			
0C	CHGCTRL4	05	Reserved	TOPOFF				DISLIMIT		
0D	CHGCTRL5	0F	Reserved	Reserved	VOTG		FASTTIMER		TOPOFFTIMER	

### 5.5.5.1 INT1: interrupt register 1 for abnormal conditions

Address (hex)	Mode		Reset condition:	Reset: 0x00
00	R/C		$VSYS \leq V_{SYS\_UVLO}$	
Bit	Name	Reset	Description	
7	VBUSOVP	0	1: VBUS OVP event detected	
6	VBUSUVLO	0	1: VBUS falling UVLO detected	
5	VBUSINOK	0	1: Valid VBUS detected	
4	AICL	0	1: AICL threshold detected	
3	VBUSLIMIT	0	1: VBUS input current limit detected	
2	BATOVP <sup>(17), (18)</sup>	0	1: BAT OVP detected	
1	THEMSHDN	0	1: Thermal shutdown detected	
0	THEMREG	0	1: Thermal regulation threshold detected	

#### Notes

17. These interrupts are to be set to 1 when "ENCOMPARTOR" bit 7 in the 07h register set to "1" AND no valid VBUS supply is at preset. If "ENCOMPARTOR" bit 7 is reset to "0" in no valid VBUS supply, these interrupt events are in no response.
18. These interrupts are to be forcibly overridden to alert the interrupt events in a valid VBUS attached.

### 5.5.5.2 INT2: interrupt register 2

Address (hex)	Mode		Reset condition: $V_{SYS} \leq V_{SYS\_UVLO}$	Reset: 0x00
01	R/C			
Bit	Name	Reset	Description	
7	FASTTMROFF	0	1: Fast charger timer expired	
6	NOBAT	0	1: No battery threshold detected	
5	WEAKBAT <sup>(19), (20)</sup>	0	1: Weak battery threshold detected	
4	OTGFAIL	0	1: Boost failed detected due to overload	
3	PRETMROFF	0	1: Pre-charge timer expired	
2	CHGRSTF	0	1: Charger restart detected	
1	DONE	0	1: Top-off charge timer expired	
0	TOPOFF	0	1: Top-off threshold is detected	

#### Notes

19. These interrupts are to be set to 1 when “ENCOMPARTOR” bit 7 in the 07h register set to “1” AND no valid VBUS supply is at preset. If “ENCOMPARTOR” bit 7 is reset to “0” in no valid VBUS supply, these interrupt events are in no response.
20. These interrupts are to be forcibly overridden to alert the interrupt events in a valid VBUS attached.

### 5.5.5.3 INT3: interrupt register 3

Address (hex)	Mode		Reset condition: $V_{SYS} \leq V_{SYS\_UVLO}$	Reset: 0x00
02	R/C			
Bit	Name	Reset	Description	
7:4	Reserved	0000	Write “0000”	
3	VSYSOK <sup>(21), (22)</sup>	0	1: VSYS rising 3.6 V detected in a valid VBUS attached	
2	VSYSNG <sup>(21), (22)</sup>	0	1: VSYS falling 3.4 V detected in a valid VBUS attached	
1	VSYSOLP	0	1: VSYS overload condition debounced is detected ( $V_{SYS} \leq 3.4$ V) in a valid VBUS attached	
0	DISLIMIT <sup>(21)</sup>	0	1: Current limit threshold detected in discharge mode	

#### Notes

21. These interrupts are to be set to 1 when “ENCOMPARTOR” bit 7 in the 07h register set to “1” AND no valid VBUS supply is at preset. If “ENCOMPARTOR” bit 7 is reset to “0” in no valid VBUS supply, these interrupt events are in no response.
22. These interrupts are to be forcibly overridden to alert the interrupt events in a valid VBUS attached.

### 5.5.5.4 INTMSK1: interrupt mask register 1

Address (hex)	MODE		Reset condition: $V_{SYS} \leq V_{SYS\_UVLO}$	Reset: 0x03
03	R/W			
Bit	Name	Reset	Description	
7	VBUSOVPM	0	<b>0: Interrupt is enabled</b> 1: VBUS OVP interrupt masked	
6	VBUSUVLOM	0	<b>0: Interrupt is enabled</b> 1: VBUS falling UVLO interrupt masked	
5	VBUSINOKM	0	<b>0: Interrupt is enabled</b> 1: Valid VBUS interrupt masked	
4	AICLM	0	<b>0: Interrupt is enabled</b> 1: AICL interrupt masked	
3	VBUSINLIMITM	0	<b>0: Interrupt is enabled</b> 1: VBUS Input Current Limit interrupt masked	
2	BATOVPM	0	<b>0: Interrupt is enabled</b> 1: BAT OVP interrupt masked	
1	THEMSHDNM	1	0: Interrupt is enabled <b>1: Thermal shutdown interrupt masked</b>	
0	THEMREGM	1	0: Interrupt is enabled <b>1: Thermal regulation interrupt masked</b>	

### 5.5.5.5 INTMSK2: interrupt mask register 2

Address (hex)	Mode		Reset condition: $V_{SYS} \leq V_{SYS\_UVLO}$	Reset: 0xB8
04	R/W			
Bit	Name	Reset	Description	
7	FASTTMROFFM	1	0: Interrupt is enabled <b>1: Fast charger timer expired interrupt masked</b>	
6	NOBATM	0	<b>0: Interrupt is enabled</b> 1: No Battery interrupt masked	
5	WEAKBATM	1	0: Interrupt is enabled <b>1: Weak battery interrupt masked</b>	
4	OTGFAILM	1	0: Interrupt is enabled <b>1: Boost failed interrupt masked</b>	
3	PRETMROFFM	1	0: Interrupt is enabled <b>1: Pre-charge timer expired interrupt masked</b>	
2	CHGRSTFM	0	<b>0: Interrupt is enabled</b> 1: Charger restart interrupt masked	
1	DONEM	0	<b>0: Interrupt is enabled</b> 1: Done interrupt masked	
0	TOPOFFM	0	<b>0: Interrupt is enabled</b> 1: Top-Off threshold interrupt masked	

### 5.5.5.6 INTMSK3: interrupt mask register 3

Address (hex)	Mode		Reset condition: $V_{SYS} \leq V_{SYS\_UVLO}$	Reset: 0xFF
05	R/W			
Bit	Name	Reset	Description	
7:4	Reserved	1111	Write "1111"	
3	VSYSOKM	1	0: Interrupt is enabled 1: VSYS rising 3.6 V detection masked	
2	VSYSNGM	1	0: Interrupt is enabled 1: VSYS falling 3.4 V detection masked	
1	VSYSOLPM	1	0: Interrupt is enabled 1: VSYS overload condition detection masked	
0	DISLIMITM	1	0: Interrupt is enabled 1: Current limit threshold detection masked	

### 5.5.5.7 STATUS – status register

Address (hex)	Mode		Reset condition: $V_{SYS} \leq V_{SYS\_UVLO}$	Reset: N/A
06	R			
Bit	Name	Reset	Description	
7:5	Reserved		Reserved for future use	
4	VSYSOLP		0: VSYS output is healthy ( $3.6\text{ V} \leq V_{SYS} \leq V_{BAT\_REG}$ ) 1: VSYS overloaded with a valid VBUS ( $V_{SYS} \leq 3.4\text{ V}$ )	
3	DISLIMIT		0: Current limit threshold not detected in discharge mode 1: Current limit threshold detected in discharge mode	
2	THEMSHDN		0: The die temperature is less than 130 °C. 1: The die temperature is between 150 °C and 130 °C	
1	BATDET		0: Battery detached (No Battery) 1: Battery attached (Battery at present)	
0	SUSPEND		0: Suspend mode is disabled 1: Suspend mode is enabled	

### 5.5.5.8 CTRL: on/off control register

Address (hex)	Mode		Reset condition: $V_{SYS} \leq V_{SYS\_UVLO}$	reset: 0x42
07	R/W			
Bit	Name	Reset	Description	
7	Reserved	0	Write "0"	
6	ENCOMPARATOR	1	Enable/Disable the comparators to detect "BATOVP", WEAKBAT", "VSYSON", "VSYSONG" and "DISLIMIT" interrupt events in the registers from 00h to 02h. 0: Turn Off the comparators <b>1: Turn On the comparators</b>	
5	Reserved	0	Do Not write "1"	
4	Reserved	0	Do Not write "1"	
3	RESET	0	Software Reset <b>0: No Reset</b> 1: Reset all charge parameters on all registers (except interrupt, interrupt mask registers and status register) (return to 0 after writing 1)	
2	SUSPEN	0	Enable/Disable Suspend mode (Turn off the FET between VBUS and PMID) <b>0: Disable Suspend mode (Q1 FET ON)</b> 1: Enable Suspend mode (Q1 FET in Hi-Z Mode)	
1	CHGEN	1	Enable/Disable Battery Charger 0: Disabled <b>1: Enabled</b>	
0	ENBOOST	0	Enable/Disable OTG mode in Boost <b>0: Disable OTG mode</b> 1: Enable OTG mode	

### 5.5.5.9 VBUSCTRL: VBUS input current limit

Address (hex)	Mode		Reset condition: $V_{SYS} \leq V_{SYS\_UVLO}$	Reset: 0x08
08	R/W			
Bit	Name	Reset	Description	
7:6	Reserved	00	Write "00"	
5:0	VBUSLIMIT	00 1000	Program the Input Current Limit, $I_{IN\_LIM}$ , on VBUS in mA Max current is limited to 2050 mA (All above 10 0111 set to 2.05 A) <b>500 mA Default</b> $I_{IN\_LIM} = [100 \text{ mA} + \text{Dec. (bit 5:0)} * 50 \text{ mA}] \text{ (mA)}$ i.g: 500 mA = 100 mA + Dec. 8 (Bin 00 1000) * 50 mA	



### 5.5.5.10 CHGCTRL1: charger control register 1

Address (hex)	Mode		Reset condition: $V_{SYS} \leq V_{SYS\_UVLO}$	Reset: 0x2F
09	R/W			
Bit	Name	Reset	Description	
7	Reserved	0	Write "0"	
6:4	AICLTH	010	Program the AICL Threshold on VBUS 0x0: 4.3 V 0x1: 4.4 V <b>0x2: 4.5 V</b> 0x3: 4.6 V 0x4: 4.7 V 0x5: 4.8 V 0x6: 4.9 V 0x7: 4.9 V	
3	AUTOSTOP	1	Charger AUTOSTOP Control 0: Charger is on continuously and stays in CV mode after top-off timer is expired. <b>1: Automatic stop is enabled. After top-off timer is expired, the charger turns off and goes into DONE state.</b>	
2	AICLEN	1	Enable/Disable the function of Adaptive-Input Current Limit on VBUS 0: Disable <b>1: Enable</b>	
1:0	PRECHG	11	Program the Pre-charge current in Pre-charge mode 00: 150 mA 01: 250 mA 10: 350 mA <b>11: 450 mA</b>	

### 5.5.5.11 CHGCTRL2: charger control register 2

Address (hex)	mOde		Reset Condition: $V_{SYS} \leq V_{SYS\_UVLO}$	Reset: 0x08
0A	R/W			
Bit	Name	Reset	Description	
7:6	Reserved	00	Write "00"	
5:0	FASTCHG	00 1000	Program the fast-charge current $I_{FAST\_CHG}$ , in mA Max current is limited to 2.0 A (all bits above 10 0110 set to 2.0 A) <b>500 mA Default</b> $I_{FAST\_CHG} = [100 \text{ mA} + \text{Dec. (bit 5:0)} * 50 \text{ mA}] \text{ (mA)}$ i.g: 500 mA = 100 mA + Dec. 8 (Bin 001000) * 50 mA	

### 5.5.5.12 CHGCTRL3: charger control register 3

Address (hex)	Mode		Reset condition: $V_{SYS} \leq V_{SYS\_UVLO}$	Reset: 0x4C
0B	R/W			
Bit	Name	Reset	Description	
7:4	BATREG	0100	Program the battery regulation voltage on BATREG in 25 mV steps 0x0: 4.100 V 0x1: 4.125 V 0x2: 4.150 V 0x3: 4.175 V <b>0x4: 4.200 V</b> 0x5: 4.225 V 0x6: 4.250 V 0x7: 4.275 V 0x8: 4.300 V 0x9: 4.325 V 0xA: 4.350 V 0xB: 4.375 V 0xC: 4.400 V 0xD: 4.425 V 0xE: 4.450 V 0xF: 4.475 V	
3:0	WEAKBAT	1100	Program the weak battery voltage threshold in 50 mV steps 0x0: 3.00 V 0x1: 3.05V 0x2: 3.10 V 0x3: 3.15 V 0x4: 3.20 V 0x5: 3.25 V 0x6: 3.30 V 0x7: 3.35 V 0x8: 3.40 V 0x9: 3.45 V 0xA: 3.50 V 0xB: 3.55 V <b>0xC: 3.60 V</b> 0xD: 3.65 V 0xE: 3.70 V 0xF: 3.75 V	

### 5.5.5.13 CHGCTRL4: charger control register 4

Address (hex)	Mode		Reset condition: $V_{SYS} \leq V_{SYS\_UVLO}$	Reset: 0x05
0C	R/W			
Bit	Name	Reset	Description	
7	Reserved	0		
6:3	TOPOFF	0000	Program the top-off charge current in 50 mA steps <b>0x0: 100 mA</b> 0x1: 150 mA 0x2: 200 mA 0x3: 250 mA 0x4: 300 mA 0x5: 350 mA 0x6: 400 mA 0x7: 450 mA 0x8: 500 mA 0x9: 550 mA 0xA: 600 mA 0xB: 650 mA 0xC: 650 mA 0xD: 650 mA 0xE: 650 mA 0xF: 650 mA	
2:0	DISLIMIT	101	Program the discharge current limit in discharge mode 0x0: disabled 0x1: 2.0 A 0x2: 2.5 A 0x3: 3.0 A 0x4: 3.5 A <b>0x5: 4.0 A</b> 0x6: 4.5 A 0x7: 5.0 A	

### 5.5.5.14 CHGCTRL5: charger control register 5

Address (hex)	Mode		Reset Condition: $V_{SYS} \leq V_{SYS\_UVLO}$	Reset: 0x0F
0D	R/W			
Bit	Name	Reset	Description	
7:6	Reserved	00	Write "00"	
5:4	VOTG	00	Program the OTG voltage in boost mode on PMID <b>00: 5.0 V</b> 01: 5.1 V 10: 5.2 V 11: 5.2 V	
3:2	FASTTIMER	11	Program the timer for Fast-charge current 00: 3.5 hours 01: 4.5 hours 10: 5.5 hours <b>11: Disabled</b>	
1: 0	TOPOFFTIMER	11	Program the timer for Top-Off in AUTOSTOP=1 00: 10 min 01: 20 min 10: 30 min <b>11: 45 min</b>	

# 6 Typical applications

## 6.1 Introduction

The BC3770 can be configured in several applications. [Figure 22](#) shows the BC3770 in a typical application.

### 6.1.1 Application diagram

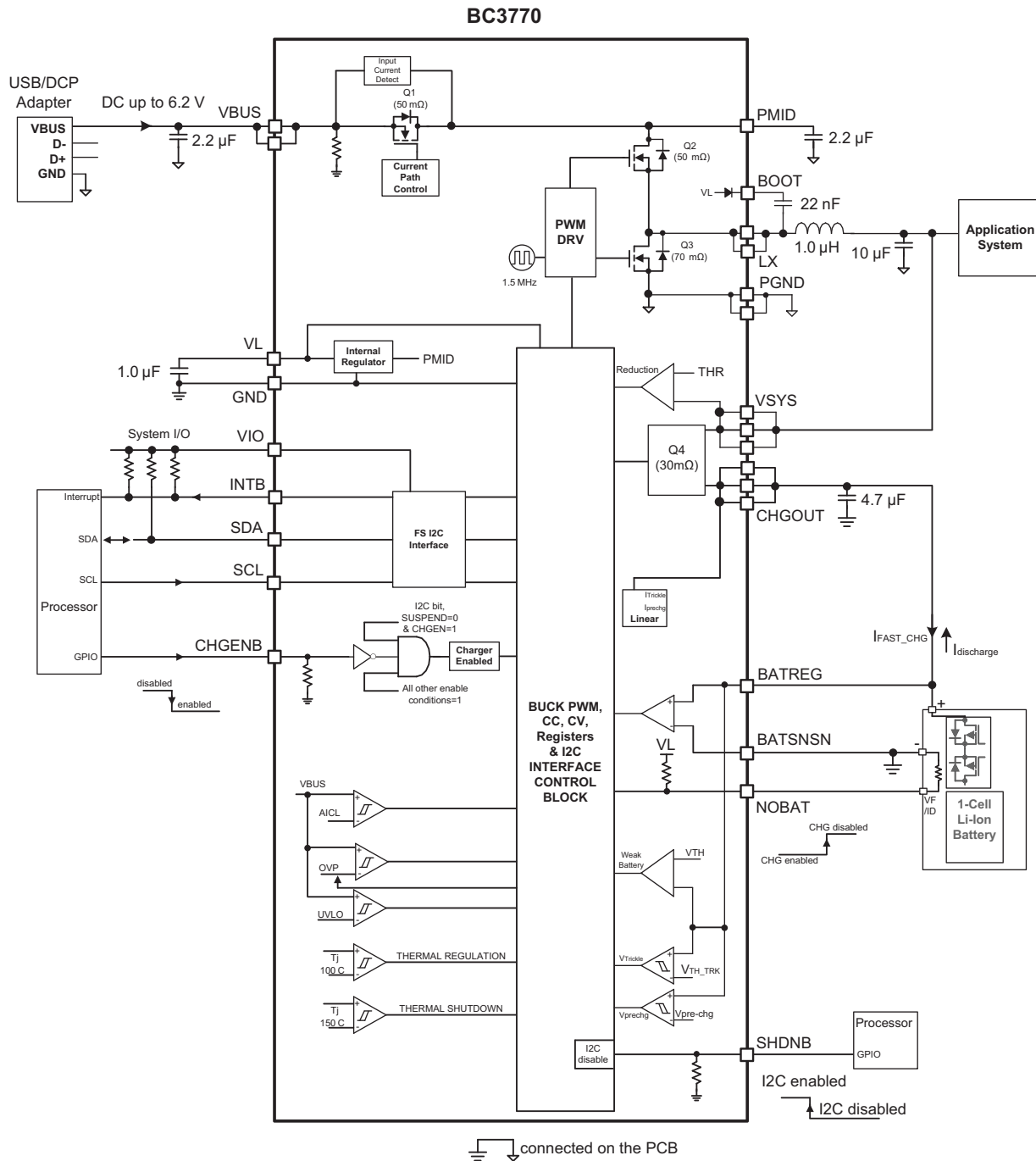


Figure 22. Typical applications

## 6.1.2 Application instructions

### 6.1.2.1 Determine the inductor, L

Selecting the proper inductor value is a critical design step for a DC-DC converter.

$$L = (V_{BUS\_MAX} - V_{SYS\_MIN}) \times \frac{V_{SYS\_MIN}}{V_{BUS\_MAX}} \times \frac{1}{f_{SW}} \times \frac{1}{LIR \times I_{OUTMAX}}$$

Where  $f_{SW}$  is the switching frequency and LIR is the inductor current ratio expressed as a percentage of  $I_{OUT}$  (e.g., for a 300 mA ripple current with a 1.0 A output current,  $LIR = 0.3 \text{ A}/1.0 \text{ A} = 0.3$ ).

Depending on the desired load transient performance, LIR can be set between 0.2 and 0.5. An LIR value of 0.3 is a good trade-off between efficiency and load transient response. Increasing the LIR value results in more inductor ripple current, and speeds up the transient load response. Decreasing the LIR value results in lower inductor ripple current and slows down the transient load response. The peak current through the inductor should be considered when selecting the inductor. In particular, choose an inductor saturation current rating large enough to handle the expected current. Allowing the inductor core to saturate reduces the overall converter efficiency, and raises the temperature of both the inductor and the switching MOSFETs.

The inductor's peak operating current is calculated as follows:

$$I_{PEAK} = I_{OUTMAX} + \frac{(\Delta I)_{inductor}}{2}, \text{ where}$$

$$(\Delta I)_{inductor} = LIR \times I_{OUTMAX}$$

For instance,  $V_{BUS} = 5.0 \text{ V}$ ,  $V_{SYS} = 4.0 \text{ V}$ ,  $I_{OUT} = 2.0 \text{ A}$ ,  $f_{SW} = 1.5 \text{ MHz}$

$L = (5.0 \text{ V} - 3.6 \text{ V}) \times (3.6 \text{ V}/5.0 \text{ V}) \times (1/1.5 \text{ MHz}) \times (1/(0.3 \times 2 \text{ A})) = 1.12 \text{ } \mu\text{H}$ .

Select the inductor to a standard 1.0  $\mu\text{H}$ .

Then calculate the total ripple current with a 1.0  $\mu\text{H}$  inductor:

$$(\Delta I)_{inductor} = LIR \times I_{OUTMAX} = 0.3 \times 2.0 \text{ A} = 0.6 \text{ A}$$

The peak current on the inductor is 2.3 A.

Therefore, select an inductor that has a higher rated current than the peak current and 1.0  $\mu\text{H}$ .

Another consideration is the inductor DC resistance, since it directly affects the efficiency of the converter. Ideally, the inductor with the lower DC resistance should be considered to achieve higher efficiency.

**Table 5. Recommended inductors**

Part Number	Inductance ( $\mu\text{H}$ )	Size	DCR ( $\text{m}\Omega$ )	Rated Current (mA) $\Delta T = 40 \text{ }^\circ\text{C}$	Application	Vendor
CIGT2016201610GM1R0MNE	1.0	2.05 x 1.65 x 0.9 mm	67	2300	2A charge	SEMCO
CIG22E1R0MNE	1.0	2.5 x 2.0 x 1.0 mm	48	2300	2A charge	SEMCO
LQH32PN1R0-NN0	1.0	3.2 x 2.5 x 1.55 mm	54	2300	2A charge	Murata
1269AS-H-1R0M=P2	1.0	2.5 x 2 x 1.0 mm	60	3000	2A charge	TOKO
IFSC1008ABER1R0M01	1.0	2.5 x 2.0 x 1.2 mm	43	2600	2A charge	Vishay
CIG2MW1R0MNE	1.0	2.0 x 1.6 mm	85	1400	1A Charge	SEMCO
1285AS-H-1R0N=P2	1.0	2 x 1.6 x 1.0 mm	80	2300	1A Charge	TOKO

### 6.1.2.2 Output capacitors characteristics

The ceramic capacitors with X5R or X7R rated, low ESR are recommended to absorb all reflected switching ripple current generated during charging or system powering. The output capacitors need to ensure stability of the buck converter. Special attention should be paid when selecting these components. As shown Figure 23 (Source: Murata web site), the DC bias of these capacitors can result in a capacitance value that falls below the minimum value given in the recommended capacitance.

The ceramic capacitor's capacitance can vary with temperature and thickness. The capacitor type X7R, that operates over a temperature range of -55 °C to +125 °C. The capacitor type X5R has a similar tolerance over a reduced temperature range of -55 °C to +85 °C. Tantalum capacitors are not recommended due to a higher ESR values.

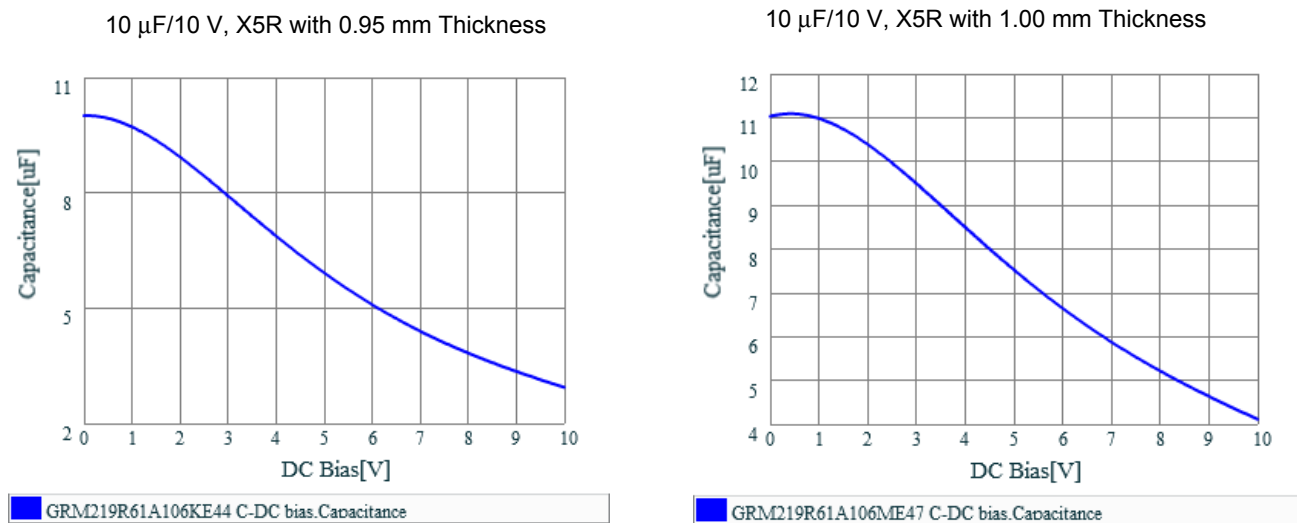


Figure 23. Capacitor DC bias

### 6.1.2.3 Output capacitor selection

The output capacitor of a switching converter absorbs the AC ripple current from the inductor and provides the initial response to a load transient. The ripple voltage at the output of the converter is the product of the ripple current flowing through the output capacitor and the impedance of the capacitor. The impedance of the capacitor can be dominated by capacitive, resistive, or inductive elements within the capacitor, depending on the frequency of the ripple current. Ceramic capacitors have a very low ESR and remain capacitive up to high frequencies. Their inductive component can usually be neglected at the frequency ranges where the switcher operates. For a desired voltage ripple at the output, the output capacitance should be decided by the following formula:

$$V_{OUT-ripple-p-p} = \frac{(\Delta I)_{ripple}}{8 \times f \times C_{OUT}}$$

$$\text{where } (\Delta I)_{ripple} = \frac{D \times (V_{IN} - V_{OUT})}{2 \times L \times f} \quad \text{and} \quad D = \text{Duty} = \frac{V_{OUT}}{V_{IN}}$$

### 6.1.2.4 Input and output capacitors

The input capacitors with a 2.2 µF, X5R or X7R rated, low ESR are recommended to absorb all reflected switching ripple current generated during charging or system powering. The output capacitors need to ensure stability of the charger and buck converter. A 10 µF on VSYS and a 4.7 µF on CHGOUT with X5R or X7R rated with an appropriate thickness, low ESR is able to make stable operations.

### 6.1.2.5 PMID output capacitor

The capacitor for PMID is used to accurately sense input current levels for VBUS input. It is recommended to use a 2.2 µF ceramic capacitor, X5R or X7R rated, low ESR. The voltage rating for a capacitor depends on the maximum input voltage protection rating.





## 6.1.2.7 Bill of materials

Figure 22 shows a typical connection diagram with an application processor on the mobile system. The following table lists the external components for this diagram.

**Table 6. Bill of materials (23)**

Item	Qty.	Schematic label	Value	Description (L x W in mm)	Part number	Assy. Opt.
1	1	VBUS	2.2 $\mu$ F	1.0 x 0.5 or 1.6 x 0.8, 10 V or higher, X5R, ceramic capacitor		
2	1	PMID	2.2 $\mu$ F	1.6 x 0.8 x 1.0, 10 V or higher, X5R, ceramic capacitor		
3	1	VL	1.0 $\mu$ F	1.0 x 0.5, 10 V or higher, X5R, ceramic capacitor		
4	1	CHGOUT	4.7 $\mu$ F	1.6 x 0.8, 10 V or higher, X5R, ceramic capacitor		
5	1	VSYS	10 $\mu$ F	1.6 x 0.8, 10 V or higher, X5R, ceramic capacitor		
6	1	LX	1.0 $\mu$ H	2.05 x 1.65, CIGT inductor in the recommended table recommended		
7	1	BOOT	22 nF	1.0 x 0.5, 10 V, X5R, ceramic capacitor		
8	1	NOBAT	100 k $\Omega$	0.6 x 0.3, a pull-down resistor to connect to 1.8 V VDD ADC Input		
9	1	INTB	200 k $\Omega$	0.6 x 0.3, a Pull-up resistor to system I/O voltage rail, VIO		
10	1	SDA	2.2 k $\Omega$ or 1.5 k $\Omega$	1.0 x 0.5, a Pull-Up resistor to system I/O voltage rail, VIO		
11	1	SCL	2.2 k $\Omega$ or 1.5 k $\Omega$	1.0 x 0.5, a Pull-Up resistor to system I/O voltage rail, VIO		

### Notes

23. NXP does not assume liability, endorse, or warrant components from external manufacturers are referenced in circuit drawings or tables. While NXP offers component recommendations in this configuration, it is the customer's responsibility to validate their application.
24. Do not populate
25. **Critical components.** For critical components, it is vital to use the manufacturer listed.

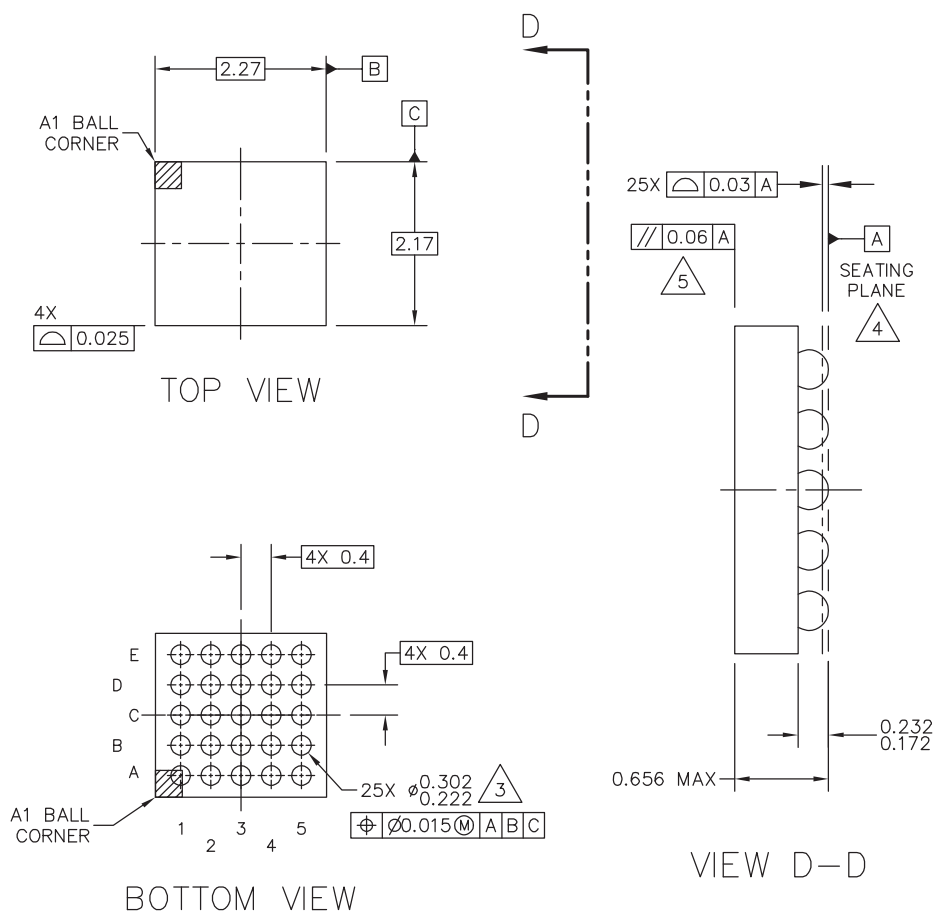
# 7 Packaging

## 7.1 Package mechanical dimensions

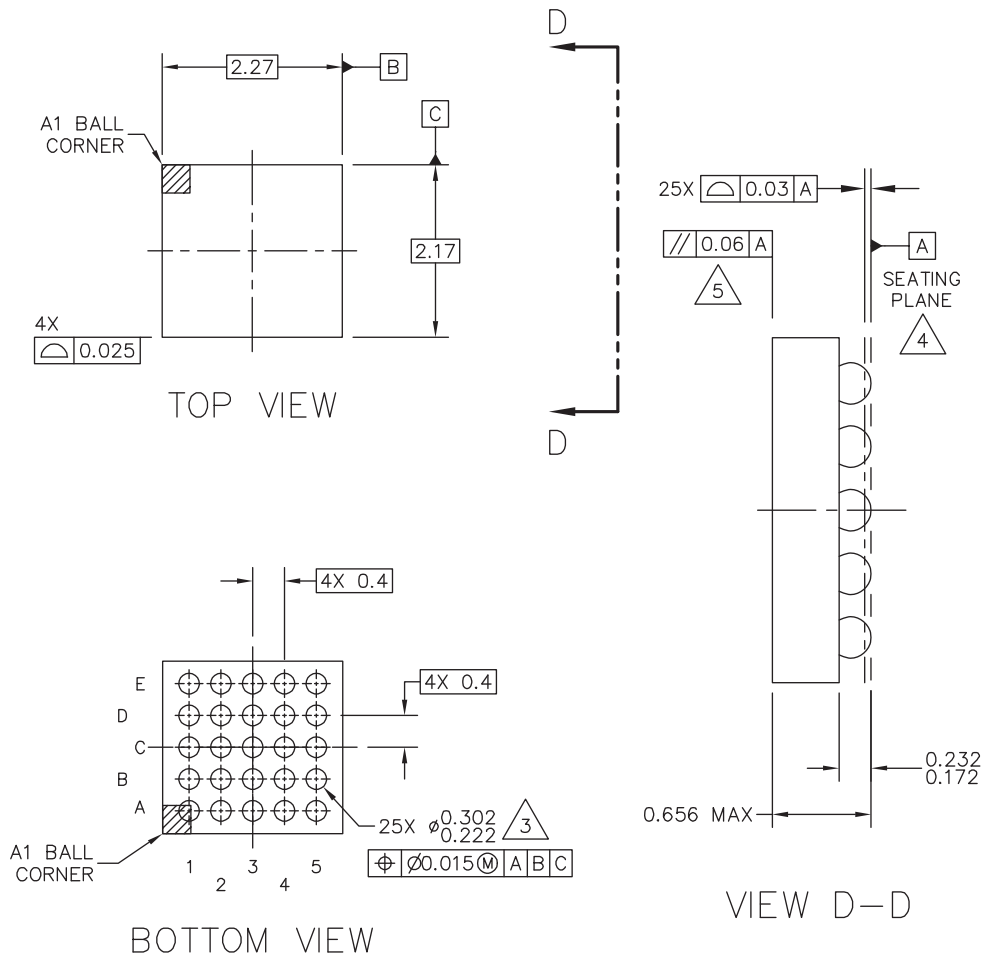
Package dimensions are provided in package drawings. To find the most current package outline drawing, go to [www.nxp.com](http://www.nxp.com) and perform a keyword search for the drawing's document number.

Table 7.

Package	Suffix	Package outline drawing number
25-Pin WLCSP	CS	98ASA00848D



© NXP SEMICONDUCTORS N.V. ALL RIGHTS RESERVED	MECHANICAL OUTLINE	PRINT VERSION NOT TO SCALE
TITLE: WLCSP, 2.27 X 2.17 X 0.622 PKG, 0.4 MM PITCH, 25 I/O	DOCUMENT NO: 98ASA00848D	REV: A
	STANDARD: NON-JEDEC	
	SOT1401-2	14 JAN 2016



© NXP SEMICONDUCTORS N.V. ALL RIGHTS RESERVED	MECHANICAL OUTLINE	PRINT VERSION NOT TO SCALE
TITLE: WLCSP, 2.27 X 2.17 X 0.622 PKG, 0.4 MM PITCH, 25 I/O	DOCUMENT NO: 98ASA00848D	REV: A
	STANDARD: NON-JEDEC	
	SOT1401-2	14 JAN 2016

## 8 Revision history

Revision	Date	Description of Changes
1.0	12/2014	<ul style="list-style-type: none"><li>Initial release</li></ul>
	2/2015	<ul style="list-style-type: none"><li>Corrected <a href="#">Figure 1</a></li><li>Updated Applications on page 1</li><li>Corrected typo in <a href="#">Table 2, BC3770 pin definitions</a></li></ul>
	10/2015	<ul style="list-style-type: none"><li>Corrected part number in <a href="#">Table 1, Orderable part variations</a></li></ul>
	7/2016	<ul style="list-style-type: none"><li>Updated to NXP document form and style</li></ul>