

# JTAG-Booster for Analog Devices ADSP-21xxx



P.O: Box 1103  
Kueferstrasse 8  
Tel. +49 (7667) 908-0  
sales@fsforth.de

- D-79200 Breisach, Germany
- D-79206 Breisach, Germany
- Fax +49 (7667) 908-200
- <http://www.fsforth.de>

Copyright © 1995..2002:

FS FORTH-SYSTEME GmbH  
Postfach 1103, D-79200 Breisach, Germany

Release of Document: April 19, 2002  
Author: Dieter Fögele  
Filename: JTAG\_ADSP-21xxxa.doc  
Program Version: 4.xx

All rights reserved. No part of this document may be copied or reproduced in any form or by any means without the prior written consent of FS FORTH-SYSTEME GmbH.

**Table of Contents**

1. General ..... 4

    1.1. Ordering Information ..... 5

    1.2. System Requirements ..... 5

    1.3. Contents of Distribution Disk ..... 6

    1.4. Connecting your PC to the target system ..... 7

    1.5. First Example with Analog Devices ADSP-21060/21061/21062..... 9

    1.6. First Example with Analog Devices ADSP-21065 ..... 11

    1.7. First Example with Analog Devices ADSP-21161 ..... 13

    1.8. Trouble Shooting ..... 15

    1.9. Error Messages ..... 16

    1.10. Initialization file JTAGxxx.INI ..... 21

    1.11. Supported flash devices ..... 37

2. JTAGxxx Parameter Description..... 38

    2.1. Program a Flash Device ..... 41

    2.2. Read a Flash Device to file ..... 45

    2.3. Verify a Flash Device with file ..... 47

    2.4. Dump target memory ..... 49

    2.5. Program an I<sup>2</sup>C-Device ..... 51

    2.6. Read an I<sup>2</sup>C-Device to file ..... 53

    2.7. Verify an I<sup>2</sup>C-Device with file ..... 55

    2.8. Dump an I<sup>2</sup>C-Device ..... 57

    2.9. Toggle CPU pins ..... 59

    2.10. Polling CPU pins ..... 60

    2.11. Polling CPU pins while the CPU is running ..... 61

    2.12. Show status of all CPU pins while the CPU is running ..... 62

3. Implementation Information ..... 64

4. Converter Program HEX2BIN.EXE ..... 66

5. Support for Windows NT and Windows 2000 ..... 68

    5.1. Installation on a clean system ..... 68

    5.2. Installation with already installed a previous version of Kithara ..... 68

    5.3. De-Installation version 5.xx: ..... 69

## **1. General**

The programs JTAG060.EXE, JTAG065.EXE and JTAG161.EXE use the JTAG port of the Analog Devices ADSP-21xxx DSP Microcomputer in conjunction with the small JTAG-Booster:

- to program data into flash memory
- to verify and read the contents of a flash memory
- to make a memory dump
- to access an I<sup>2</sup>C Device
- to test CPU signals

All functions are done without any piece of software running in the target. No firmware or BIOS must be written. Bootstrap software may be downloaded to initially unprogrammed memories.

The JTAG-BOOSTER' s software is highly optimized to the JTAG chain of a specific target CPU. To give support for all DSPs of the Analog Devices ADSP-21xxx family, there are three different programs on the distribution disk:

- JTAG060.EXE : Tool for Analog Devices ADSP-21060/21061/21062
- JTAG065.EXE : Tool for Analog Devices ADSP-21065
- JTAG161.EXE : Tool for Analog Devices ADSP-21161

Please contact us, if you need support for other members of the Analog Devices ADSP-21xxx family.

For latest documentation please refer to the file README.TXT on the distribution disk.

### **1.1. Ordering Information**

The following related products are available

- 940 JTAG-Booster Analog Devices ADSP-21xxx, 5V,  
DOS/Win9x/WinNT,  
delivered with adapter type 227
- 953 JTAG-Booster Analog Devices ADSP-21xxx, 3.3V,  
DOS/Win9x/WinNT,  
delivered with adapter type 285

### **1.2. System Requirements**

To successfully run this tool the following requirements must be met:

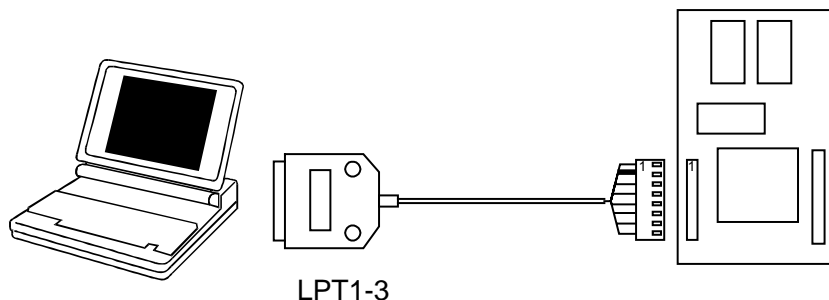
- MSDOS, WIN3.x, WIN9x, WinME, WinNT or Win2000  
(WinNT/Win2000 is supported with an additional tool, see chapter 5)
- Intel 80386 or higher
- 205 kByte of free DOS memory
- Parallel Port

### **1.3. Contents of Distribution Disk**

- JTAG060.EXE      Tool for Analog Devices ADSP-21060/21061/21062  
  JTAG060.OVL
- JTAG060.INI      Template configuration file for Analog Devices ADSP-  
  21060/21061/21062. See chapter 1.10 "Initialization file  
  JTAGxxx.INI"
- JTAG065.EXE      Tool for Analog Devices ADSP-21065  
  JTAG065.OVL
- JTAG065.INI      Template configuration file for Analog Devices ADSP-  
  21065. See chapter 1.10 "Initialization file  
  JTAGxxx.INI"
- JTAG161.EXE      Tool for Analog Devices ADSP-21060/21061/21062  
  JTAG161.OVL
- JTAG161.INI      Template configuration file for Analog Devices ADSP-  
  21161. See chapter 1.10 "Initialization file  
  JTAGxxx.INI"
- HEX2BIN.EXE      Converter program to convert Intel HEX and Motorola  
  S-Record files to binary. See chapter 4 "Converter  
  Program HEX2BIN.EXE"
- WinNT.zip        Support for Windows NT and Windows 2000. See  
  chapter 5 "Support for Windows NT and Windows  
  2000"
- JTAG\_V4xx\_FLAS   List of all supported Flash devices  
  HES.pdf
- README.txt       Release notes, new features, known problems

**1.4. Connecting your PC to the target system**

The JTAG-Booster can be plugged into standard parallel ports (LPT1-3) with a DB25-Connector.



The target end of the cable has the following reference:

1	2*	3	4	5	6	7	8
TCK	GND	TMS	TRST#	NC	TDI	TDO	+3.3V / +5V

\*PIN 2 can be detected by the white thick cable.

To connect your design to the JTAG-BOOSTER you need a single row berg connector with a spacing of 2.54mm on your PCB. The names refer to the target: Pin 7 is the target's TDO pin and is connected to the JTAG-Booster's TDI pin.

There are two versions of the JTAG-Booster available: A 5V version (FS part number 227) and a 3.3V version (FS part number 285). **Don't apply 5V to the 3.3V version of the JTAG-Booster!**

Your target must be able to power the JTAG-Booster, it draws about 100mA.

Before you start the program, the JTAG-BOOSTER must be plugged to a parallel interface of your PC and to the 8 pin JTAG connector on the target.

The utility is started with the general command line format:

JTAGxxx /function [filename] [/option\_1] ... [/option\_n].

Note that the function must be the first argument followed (if needed) by the filename.

If you want to cancel execution of JTAGxxx, press CTRL-Break-Key.

On any error the program aborts with an MSDOS error level of one.



### **1.5. First Example with Analog Devices ADSP-21060/21061/21062**

In the following simple example it is assumed that the JTAG-Booster is connected to LPT1 of your PC and target power is on.

Typing

```
JTAG060 /P MYAPP.BIN
```

at the DOS prompt results in the following output:

```
JTAG060 --- JTAG utility for Analog Devices ADSP-21060/21061/21062
Copyright © FS FORTH-SYSTEME GmbH, Breisach
Version 4.xx of mm/dd/yyyy

(1) Configuration loaded from file JTAGxxx.INI
(2) Target: Analog Devices SHARC EZ-KIT
(3) Using LPT at I/O-address 0378h
(4) JTAG Adapter detected

(5) 1 Device detected in JTAG chain
    Device 0: Part without an ICODE register (1st Bit is 0)
(6) Analog Devices ADSP-21060/21061/21062 is selected
(7) Sum of instruction register bits : 5
(8) CPU position                    : 0
(9) Instruction register offset     : 0
(10) Length of boundary scan reg   : 363

    Looking for a known flash device. Please wait..
(11) AMD 29F010 detected
(12) Bus size is 8 Bit
(13) Erasing Flash-EPROM Block #:0
    Programming File MYAPP.BIN
    65536 Bytes programmed
    Programming ok

Erase Time      :      1.3 sec
Programming Time :    201.6 sec
```

- (1) The initialization file JTAG060.INI was found in the current directory.
- (2) The target identification line of the initialization file is printed here.
- (3) The resulting I/O-address of the parallel port is printed here.
- (4) A JTAG-Booster is found on the parallel port
- (5) The JTAG chain is analyzed. There may be several parts in the JTAG chain. The chain is analyzed and all parts except the Analog Devices ADSP-21060/21061/21062 are switched to bypass mode.
- (6) The Analog Devices ADSP-21xxx does not have an ICODE register.
- (7) The length of all instruction registers in the JTAG chain are added.
- (8) The position of the Analog Devices ADSP-21xxx in the JTAG chain is assumed to be zero, if not specified in the command line (see option /CPUPOS=).
- (9) The position of the JTAG instruction register of the Analog Devices ADSP-21xxx is assumed to be zero, if not specified in the command line (see option /IROFFS=).
- (10) The real length of the boundary scan register is displayed here and compared with the boundary scan register length of a Analog Devices ADSP-21060/21061/21062. This is very important, because the Analog Devices ADSP-21060/21061/21062 does not have an IDCODE register.
- (11) One Flash-EEPROM AMD 29F010 selected with BMS# was found.
- (12) The resulting data bus size is printed here.
- (13) In this example one block must be erased.

## **1.6. First Example with Analog Devices ADSP-21065**

In the following simple example it is assumed that the JTAG-Booster is connected to LPT1 of your PC and target power is on.

Typing

```
JTAG065 /P MYAPP.BIN
```

at the DOS prompt results in the following output:

```
JTAG065 --- JTAG utility for Analog Devices ADSP-21065
Copyright © FS FORTH-SYSTEME GmbH, Breisach
Version 4.xx of mm/dd/yyyy

(1) Configuration loaded from file JTAG065.INI
(2) Target: Generic Target with ADSP-21065
(3) Using LPT at I/O-address 0378h
(4) JTAG Adapter detected

(5) 1 Device detected in JTAG chain
    Device 0: Part without an ICODE register (1st Bit is 0)
(6) Analog Devices ADSP-21065 is selected
(7) Sum of instruction register bits : 5
(8) CPU position                    : 0
(9) Instruction register offset     : 0
(10) Length of boundary scan reg    : 285

    Looking for a known flash device. Please wait..
(11) AMD 29LV160B, 3.3V, Boot Block Bottom, byte mode detected
(12) Bus size is 8 Bit
(13) Erasing Flash-EEPROM Block #:0 1 2 3
(14) Unlock Bypass used
    Programming File MYAPP.BIN
    65536 Bytes programmed
    Programming ok

Erase Time           :           0.9 sec
Programming Time    :           81.5 sec
```

- (1) The initialization file JTAG065.INI was found in the current directory.
- (2) The target identification line of the initialization file is printed here.
- (3) The resulting I/O-address of the parallel port is printed here.
- (4) A JTAG-Booster is found on the parallel port
- (5) The JTAG chain is analyzed. There may be several parts in the JTAG chain. The chain is analyzed and all parts except the Analog Devices ADSP-21065 are switched to bypass mode.
- (6) The Analog Devices ADSP-21xxx does not have an ICODE register.
- (7) The length of all instruction registers in the JTAG chain are added.
- (8) The position of the Analog Devices ADSP-21xxx in the JTAG chain is assumed to be zero, if not specified in the command line (see option /CPUPOS=).
- (9) The position of the JTAG instruction register of the Analog Devices ADSP-21xxx is assumed to be zero, if not specified in the command line (see option /IROFFS=).
- (10) The real length of the boundary scan register is displayed here and compared with the boundary scan register length of a Analog Devices ADSP-21060/21061/21062. This is very important, because the Analog Devices ADSP-21060/21061/21062 does not have an IDCODE register.
- (11) One Flash-EEPROM AMD 29LV160B selected with BMS# was found.
- (12) The resulting data bus size is printed here.
- (13) In this example four blocks must be erased.
- (14) If the used Flash-EEPROM supports the unlock bypass feature, it is used to speed up programming performance.

## **1.7. First Example with Analog Devices ADSP-21161**

In the following simple example it is assumed that the JTAG-Booster is connected to LPT1 of your PC and target power is on.

Typing

```
JTAG161 /P MYAPP.BIN
```

at the DOS prompt results in the following output:

```
JTAG161--- JTAG utility for Analog Devices ADSP-21161
Copyright © FS FORTH-SYSTEME GmbH, Breisach
Version 4.xx of mm/dd/yyyy

(1) Configuration loaded from file JTAG161.INI
(2) Target: Generic Target with Analog Devices ADSP-21161
(3) Using LPT at I/O-address 0378h
(4) JTAG Adapter detected

(5) 1 Device detected in JTAG chain
    Device 0: Part without an ICODE register (1st Bit is 0)
(6) Analog Devices ADSP-21161 is selected
(7) Sum of instruction register bits : 5
(8) CPU position                    : 0
(9) Instruction register offset      : 0
(10) Length of boundary scan reg    : 481

    Looking for a known flash device. Please wait..
(11) AMD 29LV160B, 3.3V, Boot Block Bottom, byte mode detected
(12) Bus size is 8 Bit
(13) Erasing Flash-EEPROM Block #:0 1 2 3
(14) Unlock Bypass used
    Programming File MYAPP.BIN
    65536 Bytes programmed
    Programming ok

Erase Time          :          0.9 sec
Programming Time    :          ???.0 sec
```

- (1) The initialization file JTAG161.INI was found in the current directory.
- (2) The target identification line of the initialization file is printed here.
- (3) The resulting I/O-address of the parallel port is printed here.
- (4) A JTAG-Booster is found on the parallel port
- (5) The JTAG chain is analyzed. There may be several parts in the JTAG chain. The chain is analyzed and all parts except the Analog Devices ADSP-21161 are switched to bypass mode.
- (6) The Analog Devices ADSP-21xxx does not have an ICODE register.
- (7) The length of all instruction registers in the JTAG chain are added.
- (8) The position of the Analog Devices ADSP-21xxx in the JTAG chain is assumed to be zero, if not specified in the command line (see option /CPUPOS=).
- (9) The position of the JTAG instruction register of the Analog Devices ADSP-21xxx is assumed to be zero, if not specified in the command line (see option /IROFFS=).
- (10) The real length of the boundary scan register is displayed here and compared with the boundary scan register length of a Analog Devices ADSP-21060/21061/21062. This is very important, because the Analog Devices ADSP-21060/21061/21062 does not have an IDCODE register.
- (11) One Flash-EEPROM AMD 29LV160B selected with BMS# was found.
- (12) The resulting data bus size is printed here.
- (13) In this example four blocks must be erased.
- (14) If the used Flash-EEPROM supports the unlock bypass feature, it is used to speed up programming performance.

## **1.8. Trouble Shooting**

Avoid long distances between your Host-PC and the target. If you are using standard parallel extension cable, the JTAG-BOOSTER may not work. Don't use Dongles between the parallel port and the JTAG-BOOSTER.

Switch off all special modes of your printer port (EPP, ECP, ...) in the BIOS setup. Only standard parallel port (SPP) mode is allowed.

On very fast PCs there could be verify errors. To avoid this, watch for the 'IO recovery time'-switch in the BIOS Setup which must be turned on. Otherwise try to slow down your PC by setting the turbo switch off.

If there are problems with autodetection of the flash devices use the `/DEVICE=` option. To speed up autodetection specify one of the options `/8BIT` `/16BIT` or `/32BIT`.

Don't use hardware protected flash memories.

The used chip selects must be defined as output and inactive in the initialization file (see chapter 1.10 "Initialization file JTAGxxx.INI"). Also the address bits must be defined as output.

Use the option `/NWRSETUP` to speed up flash programming.

## **1.9. Error Messages**

- **80386 or greater required**  
The JTAG-BOOSTER does not work on a 8088/8086 or a 80286 platform.
- **Adapter not connected or target power fail**  
The JTAG-Booster wasn't found. Please check connection to parallel port and connection to target. Check target power. Check your BIOS-Setup.
- **Can't open x:\yyy\zzz\JTAGxxx.OVL**  
The overlay file JTAGxxx.OVL must be in the same directory as JTAGxxx.EXE.
- **Configuration file XYZ not found.**  
The file specified with the option /INI= wasn't found.
- **Device offset out of range**  
The value specified with the option /OFFSET= is greater than the size of the detected flash device.
- **Disk full**  
Writing a output file was aborted as a result of missing disk space.
- **Do not specify option /NOCS with any other chip select**  
There is a conflict in the command line.
- **Do not specify option /BYTE-MODE. Flash device does not have a byte mode pin.**  
The flash device specified with the option /DEVICE= does not support switching between 16 (or 32) bit mode and 8 bit mode. In practice it does not have a pin with the name BYTE#
- **Error creating file:**  
The output file could not be opened. Please check free disk space or write protection.
- **Error: Pin-Name is an output only pin**  
The specified pin cannot be sampled. Check the command line. Check the initialization file.



- **Error: *Pin-Name* is an input only pin**  
The specified pin cannot be activated. Check the command line. Check the initialization file.
- **Error: *Pin-Name* may not be read back**  
The specified pin can be switched to tristate, but cannot be read back. Check the command line.
- **illegal function:**  
The first parameter of the command line must be a valid function. See chapter 2 “JTAGxxx Parameter Description” for a list of supported functions.
- **illegal number:**  
The specified number couldn't be interpret as a valid number. Check the relevant number base.
- **illegal option:**  
See chapter 2 “JTAGxxx Parameter Description” for a list of supported options.
- **illegal Pin Type:**  
The name specified with the option `/PIN=` must be one of the list of chapter 1.10 “Initialization file JTAGxxx.INI”
- **illegal Flash Type:**  
The name specified with the option `/DEVICE=` must be one of the list of chapter 1.11 “Supported flash devices”.
- **Input file not found:**  
The specified file cannot be found
- **Input file is empty:**  
Files with zero length are not accepted
- **" " is undefined**  
Please check the syntax in your configuration file. (See chapter 1.10 “Initialization file JTAGxxx.INI”).

- **LPTx not installed**  
The LPT port specified with /LPTx cannot be found. Please check the LPT port or specify a installed LPT port. Check your BIOS setup.
- **missing filename**  
Most functions need a filename as second parameter.
- **missing option /I2CCLK=**  
Some functions need the option /I2CCLK= to be defined.
- **missing option /I2CDAT=**  
Some functions need the option /I2CDAT= or the options /I2CDATO= and /I2CDATI= to be defined.
- **missing option /LENGTH=**  
Some functions need the option /LENGTH= to be defined.
- **missing option /PIN=**  
Some functions need the option /PIN= to be defined.
- **More than 9 devices in the JTAG chain or TDI pin stuck at low level**  
The JTAG chain is limited to 9 parts. Check target power. Check the target's TDO pin.
- **No devices found in JTAG chain or TDI pin stuck at high level**  
A stream of 32 high bits was detected on the pin TDI. TDI may stuck at high level. Check the connection to your target. Check the target power. Check the target's TDO pin.
- **Option /CPUPOS= out of range**  
The number specified with the option /CPUPOS= must be less or equal to the number of parts minus 1.
- **Option /IROFFS= out of range**  
Please specify a smaller value
- **Part at specified position is not a Analog Devices ADSP-21xxx**  
The option /CPUPOS= points to a part not a Analog Devices ADSP-21xxx

- **Pins specified with /I2CCLK= and /I2CDAT= must have different control cells**  
The pin specified with the option /I2CDAT= must be able to be switched to high impedance while the pin specified with option /I2CCLK= is an active output. See chapter 1.10 “Initialization file JTAGxxx.INI”.
- **Pins specified with /I2CCLK= and /I2CDATI= must have different control cells**  
The pin specified with the option /I2CDATI= must be able to be switched to high impedance while the pin specified with option /I2CCLK= is an active output. See chapter 1.10 “Initialization file JTAGxxx.INI”.
- **Pins specified with /I2CDATO= and /I2CDATI= must have different control cells**  
The pin specified with the option /I2CDATI= must be able to be switched to high impedance while the pin specified with option /I2CDATO= is an active output. See chapter 1.10 “Initialization file JTAGxxx.INI”.
- **Specify only one of that options:**  
Some options are exclusive (i.e. /8BIT and /16BIT). Don't mix them.
- **Sum of instruction register bits to low. Should be at least 5 bits for a Analog Devices ADSP-21xxx**  
The sum of all instruction register bits in the JTAG chain does not fit to the Analog Devices ADSP-21xxx. Check the target connection. Check the target CPU type. Check the settings for /IROFFS= and /CPUPOS= , if there are several parts in the JTAG chain.
- **Target no longer connected**  
There is a cyclic check of the JTAG chain. Check target power. Check target connection.
- **There are unknown parts in the JTAG chain. Please use the option /IROFFS= to specify the instr. reg. offset of the CPU.**  
If there are unknown parts in the JTAG chain, the program isn't able to determine the logical position of the CPU's instruction register.

- **There is no Analog Devices ADSP-21xxx in the JTAG chain**  
No Analog Devices ADSP-21xxx was found in the JTAG chain. Check the target power. Try with option /DRIVER=4 again.
- **Value of option /FILE-OFFSET out of range**  
The value of the option /FILE-OFFSET= points behind end of file.
- **wrong driver #**  
The value specified with the option /DRIVER= is out of range.
- **wrong Identifier (xxxx)**  
No valid identifier found. Check the specified chip select signal and the bus width. Try with the option /DEVICE= .
- **Wrong length of boundary scan register. Should be 363 for a Analog Devices ADSP-21060/21061/21062. (Should be 285 for a Analog Devices ADSP-21065/Should be 481 for a Analog Devices ADSP-21161.)**  
The length of the boundary scan register of the selected part (if there are more than one in the chain) does not fit to the Analog Devices ADSP-21xxx. Check the target connection. Check the target CPU type. Check the settings for /IROFFS= and /CPUPOS= , if there are several parts in the JTAG chain.

### **1.10. Initialization file JTAGxxx.INI**

This file is used to define the default direction and level of all CPU signals. This file **must be carefully adapted** to your design with the Analog Devices ADSP-21xxx. The Target-Entry is used to identify your design which is displayed with most commands.

When the program JTAGxxx.EXE is started it scans the current directory for an existing initialization file named JTAGxxx.INI. If no entry is found the default values are used. You may also specify the initialization file with the option /INI= . If the specified file isn't found, the program aborts with an error message.

The CPU pins can also be used with the functions /BLINK (chapter 2.9), /PIN? (chapter 2.10) and /SAMPLE (chapter 2.11) to test the signals on your design.

The sample file below represents the values which are used for default initialization when no initialization file could be found in the current directory and no initialization file is specified with the option /INI=.

Changes to the structure of the file could result in errors. Remarks can be added by using //.

**Sample File JTAG060.INI:**

```
// Description file for Analog Devices ADSP-21xxx
Target: Analog Devices SHARC EZ-KIT
// All chip select signals are set to output and inactive.
// All signals should be defined. Undefined signals are set to their defaults.
// Pin names are defined in upper case.
// Low active signals are signed with a trailing #.
```

```
// Group A: All pins in this group must be set to the same direction
//          This pins are bidirectional
L5CLK      Inp    // Link Port Clock
L5DAT0     Inp    // Link Port Data
L5DAT1     Inp    //
L5DAT2     Inp    //
L5DAT3     Inp    //
```

```
// Group B: All pins in this group must be set to the same direction
//          This pins are bidirectional
L4CLK      Inp    // Link Port Clock
L4DAT0     Inp    // Link Port Data
L4DAT1     Inp    //
L4DAT2     Inp    //
L4DAT3     Inp    //
```

```
// Group C: All pins in this group must be set to the same direction
//          This pins are bidirectional
L3CLK      Inp    // Link Port Clock
L3DAT0     Inp    // Link Port Data
L3DAT1     Inp    //
L3DAT2     Inp    //
L3DAT3     Inp    //
```

```
// Group D: All pins in this group must be set to the same direction
//          This pins are bidirectional
L2CLK      Inp    // Link Port Clock
L2DAT0     Inp    // Link Port Data
L2DAT1     Inp    //
L2DAT2     Inp    //
L2DAT3     Inp    //
```

```
// Group E: All pins in this group must be set to the same direction
//      This pins are bidirectional
L1CLK      Inp      // Link Port Clock
L1DAT0     Inp      // Link Port Data
L1DAT1     Inp      //
L1DAT2     Inp      //
L1DAT3     Inp      //

// Group F: All pins in this group must be set to the same direction
//      This pins are bidirectional
L0CLK      Inp      // Link Port Clock
L0DAT0     Inp      // Link Port Data
L0DAT1     Inp      //
L0DAT2     Inp      //
L0DAT3     Inp      //

// Group G: All pins in this group must be set to the same direction
//      This pins are bidirectional
//      This group is switched between output/active and
//      input/tristate during programming of Flash-EPROMs
DATA0      Inp      // External Bus Data
DATA1      Inp      //
DATA2      Inp      //
DATA3      Inp      //
DATA4      Inp      //
DATA5      Inp      //
DATA6      Inp      //
DATA7      Inp      //
DATA8      Inp      //
DATA9      Inp      //
DATA10     Inp      //
DATA11     Inp      //
DATA12     Inp      //
DATA13     Inp      //
DATA14     Inp      //
DATA15     Inp      //
DATA16     Inp      // = Boot-ROM D0
DATA17     Inp      // = Boot-ROM D1
DATA18     Inp      // = Boot-ROM D2
DATA19     Inp      // = Boot-ROM D3
DATA20     Inp      // = Boot-ROM D4
DATA21     Inp      // = Boot-ROM D5
DATA22     Inp      // = Boot-ROM D6
```

```

DATA23      Inp      // = Boot-ROM D7
DATA24      Inp      //
DATA25      Inp      //
DATA26      Inp      //
DATA27      Inp      //
DATA28      Inp      //
DATA29      Inp      //
DATA30      Inp      //
DATA31      Inp      //
DATA32      Inp      //
DATA33      Inp      //
DATA34      Inp      //
DATA35      Inp      //
DATA36      Inp      //
DATA37      Inp      //
DATA38      Inp      //
DATA39      Inp      //
DATA40      Inp      //
DATA41      Inp      //
DATA42      Inp      //
DATA43      Inp      //
DATA44      Inp      //
DATA45      Inp      //
DATA46      Inp      //
DATA47      Inp      //

```

```

// Group H: All pins in this group must be set to the same direction
//          DMAG1#, DMAG2# and ADRCLK are tristateable outputs but may
//          not be read back.
//          PAGE, RD# and WR# are bidirectional pins.
//          This group is switched to output/active during programming of
//          Flash-EPROMs.
PAGE       Out,Lo   // DRAM Page Boundary
DMAG1#     Out,Hi   // DMA Grant 1, DMA Channel 7
DMAG2#     Out,Hi   // DMA Grant 2, DMA Channel 8
WR#        Out,Hi   // Memory Write Strobe = WE# of Flash-EPROM
RD#        Out,Hi   // Memory Read Strobe = OE# of Flash-EPROM
ADRCLK     Out,Lo   // Clock Output Reference

```



```
// Group I: All pins in this group must be set to the same direction
//           This pins are bidirectional
//           For Flash programming this pins must be set to output.
SW#        Out,Hi // Synchronous Write Select
MS0#       Out,Hi // Memory Select Line
MS1#       Out,Hi // Memory Select Line
MS2#       Out,Hi // Memory Select Line
MS3#       Out,Hi // Memory Select Line
ADDR31     Out,Lo //
ADDR30     Out,Lo //
ADDR29     Out,Lo //
ADDR28     Out,Lo //
ADDR27     Out,Lo //
ADDR26     Out,Lo //
ADDR25     Out,Lo //
ADDR24     Out,Lo //
ADDR23     Out,Lo //
ADDR22     Out,Lo //
ADDR21     Out,Lo //
ADDR20     Out,Lo //
ADDR19     Out,Lo //
ADDR18     Out,Lo //
ADDR17     Out,Lo //
ADDR16     Out,Lo //
ADDR15     Out,Lo //
ADDR14     Out,Lo //
ADDR13     Out,Lo //
ADDR12     Out,Lo //
ADDR11     Out,Lo //
ADDR10     Out,Lo //
ADDR9      Out,Lo //
ADDR8      Out,Lo //
ADDR7      Out,Lo //
ADDR6      Out,Lo //
ADDR5      Out,Lo //
ADDR4      Out,Lo //
ADDR3      Out,Lo //
ADDR2      Out,Lo //
ADDR1      Out,Lo //
ADDR0      Out,Lo //
```

```

// The following pins are complete bidirectional pins.
// The direction of each pin can be set independent of the other pins.
// Each pin can be used as input.
L5ACK      Inp      // Link Port Acknowledge
L4ACK      Inp      // Link Port Acknowledge
L3ACK      Inp      // Link Port Acknowledge
L2ACK      Inp      // Link Port Acknowledge
L1ACK      Inp      // Link Port Acknowledge
L0ACK      Inp      // Link Port Acknowledge
BR1#       Inp      // Multiprocessing Bus Request
BR2#       Inp      // Multiprocessing Bus Request
BR3#       Inp      // Multiprocessing Bus Request
BR4#       Inp      // Multiprocessing Bus Request
BR5#       Inp      // Multiprocessing Bus Request
BR6#       Inp      // Multiprocessing Bus Request
ACK        Inp      // Memory Acknowledge
HBG#       Inp      // Host Bus Grant
RFS0       Inp      // Receive Frame Sync
RCLK0      Inp      // Receive Clock
TFS0       Inp      // Transmit Frame Sync
TCLK0      Inp      // Transmit Clock
RFS1       Inp      // Receive Frame Sync
RCLK1      Inp      // Receive Clock
TFS1       Inp      // Transmit Frame Sync
TCLK1      Inp      // Transmit Clock
BMS#       Out,Hi   // Boot Memory Select = CS# of Flash-EEPROM
FLAG0      Out,Lo   // Flag Pin = LEx
FLAG1      Out,Hi   // Flag Pin = LEx
FLAG2      Out,Lo   // Flag Pin = LEx
FLAG3      Out,Hi   // Flag Pin = LEx

// The direction of each following pin can be set independent of the others,
// but this pins can not be read back.
REDY       Inp      // Host Bus Acknowledge
DT0        Out,Lo   // Data Transmit
DT1        Out,Lo   // Data Transmit
EMU#       Inp      // Emulation Status

// The following pin has an open drain output with a weak pull up.
// The pin is bidirectional.
CPA#       Inp      // Core Priority Access

// The following pins are output only pins.

```

// Setting to input (tristate) one of these pins results in an error.

ICSA           Out,Lo // Reserved Output

TIMEXP        Out,Lo // Timer Expired

// The following pins are input only.

// Setting to output of one of these pins results in an error.

// Declaration of the direction of these pins is optional.

IRQ0#         Inp     // Interrupt Request

IRQ1#         Inp     // Interrupt Request

IRQ2#         Inp     // Interrupt Request

EBOOT         Inp     // EPROM Boot Select, EBOOT=1 -> Boot from EPROM

RESET#        Inp     // Processor Reset

RPBA          Inp     // Rotating Priority Bus Arbitration Select

LBOOT         Inp     // Link Boot, is Low for EPROM boot

ID0           Inp     // Multiprocessing ID

ID1           Inp     // Multiprocessing ID

ID2           Inp     // Multiprocessing ID

CLKIN         Inp     // Clock In

CS#           Inp     // Chip Select Input

DR0           Inp     // Data Receive

DR1           Inp     // Data Receive

HBR#          Inp     // Host Bus Request

DMAR1#        Inp     // DMA Request 1, DMA Channel 7

DMAR2#        Inp     // DMA Request 2, DMA Channel 8

SBTS#         Inp     // Suspend Bus Three-State

**Sample File JTAG065.INI:**

```
// Description file for Analog Devices ADSP-21065
Target: Generic Target with ADSP-21065
// All chip select signals are set to output and inactive.
// All signals should be defined. Undefined signals are set to their defaults.
// Pin names are defined in upper case.
// Low active signal are signed with a trailing #.

// Group A: All pins in this group must be set to the same direction
//          This pins are bidirectional
//          This group is switched between output/active and
//          input/tristate during programming of Flash-EPROMs
DATA0      Inp      // = Boot-ROM D0
DATA1      Inp      // = Boot-ROM D1
DATA2      Inp      // = Boot-ROM D2
DATA3      Inp      // = Boot-ROM D3
DATA4      Inp      // = Boot-ROM D4
DATA5      Inp      // = Boot-ROM D5
DATA6      Inp      // = Boot-ROM D6
DATA7      Inp      // = Boot-ROM D7
DATA8      Inp      //
DATA9      Inp      //
DATA10     Inp      //
DATA11     Inp      //
DATA12     Inp      //
DATA13     Inp      //
DATA14     Inp      //
DATA15     Inp      //
DATA16     Inp      //
DATA17     Inp      //
DATA18     Inp      //
DATA19     Inp      //
DATA20     Inp      //
DATA21     Inp      //
DATA22     Inp      //
DATA23     Inp      //
DATA24     Inp      //
DATA25     Inp      //
DATA26     Inp      //
DATA27     Inp      //
DATA28     Inp      //
DATA29     Inp      //
```

```
DATA30      Inp      //
DATA31      Inp      //

// Group B: All pins in this group must be set to the same direction
//           This pins are bidirectional
//           For Flash programming this pins must be set to output.
ADDR23      Out,Lo   //
ADDR22      Out,Lo   //
ADDR21      Out,Lo   //
ADDR20      Out,Lo   //
ADDR19      Out,Lo   //
ADDR18      Out,Lo   //
ADDR17      Out,Lo   //
ADDR16      Out,Lo   //
ADDR15      Out,Lo   //
ADDR14      Out,Lo   //
ADDR13      Out,Lo   //
ADDR12      Out,Lo   //
ADDR11      Out,Lo   //
ADDR10      Out,Lo   //
ADDR9       Out,Lo   //
ADDR8       Out,Lo   //
ADDR7       Out,Lo   //
ADDR6       Out,Lo   //
ADDR5       Out,Lo   //
ADDR4       Out,Lo   //
ADDR3       Out,Lo   //
ADDR2       Out,Lo   //
ADDR1       Out,Lo   //
ADDR0       Out,Lo   //

// Group C: All pins in this group must be set to the same direction
//           DMAG1# and DMAG2# are tristateable outputs but can't be
//           read back.
//           RD#, WR#, SW# and MSx# are bidirectional pins.
//           This group is switched to output/active during programming of
//           Flash-EPROMs.
DMAG1#      Out,Hi   // DMA Grant 1, DMA Channel 7
DMAG2#      Out,Hi   // DMA Grant 2, DMA Channel 8
WR#         Out,Hi   // Memory Write Strobe = WE# of Flash-EPROM
RD#         Out,Hi   // Memory Read Strobe = OE# of Flash-EPROM
MS0#        Out,Hi   // Memory Select Line
MS1#        Out,Hi   // Memory Select Line
```

MS2#           Out,Hi   // Memory Select Line  
 MS3#           Out,Hi   // Memory Select Line  
 SW#            Out,Hi   // Synchronous Write Select

// Group D: All pins in this group must be set to the same direction  
 //            DQM and SDA10 are tristateable outputs but can't be read back.  
 //            All others are bidirectional pins.  
 //            This group is switched to output/active during programming of  
 //            Flash-EPROMs.

SDCLK0        Out,Lo   // SDRAM clock output  
 RAS#          Out,Hi   // SDRAM row address strobe  
 CAS#          Out,Hi   // SDRAM column address strobe  
 SDWE#        Out,Hi   // SDRAM write enable  
 DQM          Out,Lo   // SDRAM data mask  
 SDCKE        Out,Hi   // SDRAM clock enable  
 SDA10        Out,Lo   // SDRAM A10 pin

// The following pins are complete bidirectional pins.  
 // The direction of each pin can be set independent of the other pins.  
 // Each pin can be used as input.

BR1#          Inp       // Multiprocessing Bus Request  
 BR2#          Inp       // Multiprocessing Bus Request  
 ACK          Inp       // Memory Acknowledge  
 HBG#          Inp       // Host Bus Grant  
 RFS0          Inp       // Receive Frame Sync  
 RCLK0        Inp       // Receive Clock  
 TFS0          Inp       // Transmit Frame Sync  
 TCLK0        Inp       // Transmit Clock  
 RFS1          Inp       // Receive Frame Sync  
 RCLK1        Inp       // Receive Clock  
 TFS1          Inp       // Transmit Frame Sync  
 TCLK1        Inp       // Transmit Clock  
 BMS#          Out,Hi   // Boot Memory Select = CS# of Flash-EPROM  
 FLAG0        Inp       // Flag Pin  
 FLAG1        Inp       // Flag Pin  
 FLAG2        Inp       // Flag Pin  
 FLAG3        Inp       // Flag Pin  
 FLAG4        Inp       // Flag Pin  
 FLAG5        Inp       // Flag Pin  
 FLAG6        Inp       // Flag Pin  
 FLAG7        Inp       // Flag Pin  
 FLAG8        Inp       // Flag Pin  
 FLAG9        Inp       // Flag Pin

```

FLAG10      Inp      // Flag Pin
FLAG11      Inp      // Flag Pin
PWM_EVENT1  Inp      // PWM output/event capture
PWM_EVENT0  Inp      // PWM output/event capture
SDCLK1      Out,Lo   // SDRAM clock output

// The direction of each following pin can be set independent of the others,
// but this pins can not be read back.
REDY        Inp      // Host Bus Acknowledge
DT0_A       Out,Lo   // Data Transmit
DT0_B       Out,Lo   // Data Transmit
DT1_A       Out,Lo   // Data Transmit
DT1_B       Out,Lo   // Data Transmit
EMU#        Inp      // Emulation Status

// The following pin has an open drain output with a weak pull up.
// The pin is bidirectional.
CPA#        Inp      // Core Priority Access

// The following pins are output only pins.
// Setting to input (tristate) one of these pins results in an error.
BMSTR       Out,Hi   // Bus Master Output

// The following pins are input only.
// Setting to output of one of these pins results in an error.
// Declaration of the direction of these pins is optional.
IRQ0#       Inp      // Interrupt Request
IRQ1#       Inp      // Interrupt Request
IRQ2#       Inp      // Interrupt Request
BSEL        Inp      // EPROM Boot Select, BSEL=1 -> Boot from EPROM
RESET#      Inp      // Processor Reset
ID0         Inp      // Multiprocessing ID
ID1         Inp      // Multiprocessing ID
CLKIN       Inp      // Clock In
CS#         Inp      // Chip Select Input
DR0_A       Inp      // Data Receive
DR0_B       Inp      // Data Receive
DR1_A       Inp      // Data Receive
DR1_B       Inp      // Data Receive
HBR#        Inp      // Host Bus Request
DMAR1#      Inp      // DMA Request 1, DMA Channel 7
DMAR2#      Inp      // DMA Request 2, DMA Channel 8
SBTS#       Inp      // Suspend Bus Three-State

```

**Sample File JTAG161.INI:**

```
// Description file for Analog Devices ADSP-21161
Target: Generic Target with ADSP-21161
// All chip select signals are set to output and inactive.
// All signals should be defined. Undefined signals are set to their defaults
// Pin Names are defined in upper case
// Low Active Signal are signed with a trailing #

// The following pins are complete bidirectional pins
// The direction of each pin can be set independent of the other pins
// Each pin can be used as an input
EBOOT      Inp      // EPROM Boot Select, EBOOT=1 -> Boot from EPROM
LBOOT      Inp      // Link Boot, should be low for EBOOT=1
WR#        Out,Hi   // Memory Write Strobe = WE# of Flash-EPROM
RD#        Out,Hi   // Memory Read Strobe = OE# of Flash-EPROM
BMS#       Out,Hi   // Boot Memory Select = CS# of Flash-EPROM
MS0#       Out,Hi   // Memory Select Lines
MS1#       Out,Hi   //
MS2#       Out,Hi   //
MS3#       Out,Hi   //
BMSTR      Out,Hi   // Bus Master Output
EMU#       Inp      // Emulation Status Output
RESET#     Inp      // Processor Reset Input

FLAG11     Inp      // Flag Pins
FLAG10     Inp      //
FLAG9      Inp      //
FLAG8      Inp      //
FLAG7      Inp      //
FLAG6      Inp      //
FLAG5      Inp      //
FLAG4      Inp      //
FLAG3      Inp      //
FLAG2      Inp      //
FLAG1      Inp      //
FLAG0      Inp      //

IRQ0#      Inp      // Interrupt Request Lines
IRQ1#      Inp      //
IRQ2#      Inp      //
ID0        Inp      // Multiprocessing ID
ID1        Inp      //
```



ID2	Inp	//
TIMEXP	Inp	// Timer Expired
SBTS#	Inp	// Suspend Bus & Three-State
PA#	Inp	// Priority Access
BR6#	Inp	// Multiprocessing Bus Request
BR5#	Inp	//
BR4#	Inp	//
BR3#	Inp	//
BR2#	Inp	//
BR1#	Inp	//
BRST	Inp	// Sequential Burst Access
SDCLK0	Out,Lo	// SDRAM Clock Output 0
SDCLK1	Out,Lo	// SDRAM Clock Output 1
SDA10	Out,Lo	// SDRAM A10 Pin
SDCKE	Out,Lo	// SDRAM Clock Enable
CLKOUT	Out,Lo	// Local Clock Out
CAS#	Out,Hi	// SDRAM Column Access Strobe
RAS#	Out,Hi	// SDRAM Row Access Strobe
HBR#	Inp	// Host Bus Request
HBG#	Inp	// Host Bus Grant
REDY	Inp	// Host Bus Acknowledge
ACK	Inp	// Memory Acknowledge
CS#	Inp	// Chip Select ADSP-21161
CLKDBL	Inp	// Crystal Double Mode Enable
DQM	Out,Hi	// SDRAM Data Mask
SDWE#	Out,Hi	// SDRAM Write Enable
CLK_CFG1	Inp	// Core/CLKIN Ratio Control
CLK_CFG0	Inp	//
DMAR2#	Inp	// DMA Request 2
DMAG2#	Out,Hi	// DMA Grant 2
DMAR1#	Inp	// DMA Request 1
DMAG1#	Out,Hi	// DMA Grant 1
NC1	Inp	//
L0DAT0	Inp	// Link Port 0 Data
L0DAT1	Inp	//
L0DAT2	Inp	//
L0DAT3	Inp	//
L0DAT4	Inp	//
L0DAT5	Inp	//
L0DAT6	Inp	//
L0DAT7	Inp	//
L0ACK	Inp	// Link Port 0 Acknowledge

L0CLK	Inp	// Link Port 0 Clock
L1DAT0	Inp	// Link Port 1 Data
L1DAT1	Inp	//
L1DAT2	Inp	//
L1DAT3	Inp	//
L1DAT4	Inp	//
L1DAT5	Inp	//
L1DAT6	Inp	//
L1DAT7	Inp	//
L1CLK	Inp	// Link Port 1 Acknowledge
L1ACK	Inp	// Link Port 1 Clock
FS0	Inp	// Transmit/Receive Frame Sync
SCLK0	Inp	// Transmit/Receive Serial Clock
D0A	Inp	// Data Transmit/Receive Channel A
D0B	Inp	// Data Transmit/Receive Channel B
FS1	Inp	//
SCLK1	Inp	//
D1A	Inp	//
D1B	Inp	//
SFS2	Inp	//
SCLK2	Inp	//
D2A	Inp	//
D2B	Inp	//
SFS3	Inp	//
SCLK3	Inp	//
D3A	Inp	//
D3B	Inp	//
SPIDS#	Inp	// Serial Peripheral Interface Slave Device Select
SPICLK	Inp	// Serial Peripheral Interface Clock Signal
MOSI	Inp	// SPI Master Out Slave
MISO	Inp	// SPI Master In Slave Out
RPBA#	Inp	// Rotating Priority Bus Arbitration Select

```
// The following pins are complete bidirectional pins
// The direction of each pin can be set independent of the other pins
// For Flash Programming these pins must be set to output
ADDR0      Out,Lo // External Bus Address
ADDR1      Out,Lo //
ADDR2      Out,Lo //
ADDR3      Out,Lo //
ADDR4      Out,Lo //
ADDR5      Out,Lo //
ADDR6      Out,Lo //
ADDR7      Out,Lo //
ADDR8      Out,Lo //
ADDR9      Out,Lo //
ADDR10     Out,Lo //
ADDR11     Out,Lo //
ADDR12     Out,Lo //
ADDR13     Out,Lo //
ADDR14     Out,Lo //
ADDR15     Out,Lo //
ADDR16     Out,Lo //
ADDR17     Out,Lo //
ADDR18     Out,Lo //
ADDR19     Out,Lo //
ADDR20     Out,Lo //
ADDR21     Out,Lo //
ADDR22     Out,Lo //
ADDR23     Out,Lo //

// The following pins are complete bidirectional pins
// These pins are switched between output/active and input/tristate during
// programming of Flash-EPROMs
DATA16     Inp    // = Boot-ROM D0
DATA17     Inp    // = Boot-ROM D1
DATA18     Inp    // = Boot-ROM D2
DATA19     Inp    // = Boot-ROM D3
DATA20     Inp    // = Boot-ROM D4
DATA21     Inp    // = Boot-ROM D5
DATA22     Inp    // = Boot-ROM D6
DATA23     Inp    // = Boot-ROM D7
DATA24     Inp    //
DATA25     Inp    //
DATA26     Inp    //
DATA27     Inp    //
```

DATA28	Inp	//
DATA29	Inp	//
DATA30	Inp	//
DATA31	Inp	//
DATA32	Inp	//
DATA33	Inp	//
DATA34	Inp	//
DATA35	Inp	//
DATA36	Inp	//
DATA37	Inp	//
DATA38	Inp	//
DATA39	Inp	//
DATA40	Inp	//
DATA41	Inp	//
DATA42	Inp	//
DATA43	Inp	//
DATA44	Inp	//
DATA45	Inp	//
DATA46	Inp	//
DATA47	Inp	//

### **1.11. Supported flash devices**

Type JTAGxxx /LIST [optionlist]

to get a online list of all flash types which could be used with the /DEVICE= option.

See separate file JTAG\_V4xx\_FLASHES.pdf to get a complete list of supported flash types.

## **2. JTAGxxx Parameter Description**

When you start JTAGxxx.EXE without any parameters the following help screen with all possible functions and options is displayed:

```
JTAGxxx --- JTAG utility for Analog Devices ADSP-21xxx  
Copyright © FS FORTH-SYSTEME GmbH, Breisach  
Version 4.xx of mm/dd/yyyy
```

Programming of Flash-EPROMs and hardware tests on targets with the Analog Devices ADSP-21xxx.

The JTAG-Booster is needed to connect the parallel port of the PC to the JTAG port of the Analog Devices ADSP-21xxx.

Usage: JTAGxxx /function [filename] [/option\_1] ... [/option\_n]

Supported functions:

```
/P          : Program a Flash Device  
/R          : Read a Flash Device to file  
/V          : Verify a Flash Device with file  
/DUMP       : Make a target dump  
/PI2C       : Program an I2C Device with file  
/RI2C       : Read an I2C Device to file  
/VI2C       : Verify an I2C Device with file  
/DUMPI2C    : Make a dump of an I2C Device  
/BLINK      : Toggle a CPU pin  
/PIN?       : Test a CPU pin  
/SAMPLE     : Test a CPU pin while the CPU is running  
/SNAP       : Test all CPU pins while CPU is running  
/LIST       : Print a list of supported Flash devices
```

Supported Options:

/BMS	/MS0	/MS1	/MS2	/MS3
/NOCS	/NOWRSETUP	/TOP	/BYTE-MODE	/BM
/PAUSE	/P	/NODUMP	/NOERASE	/LATTICE
/ERASEALL	/LPT1	/LPT2	/LPT3	/LPT-BASE=
/32BIT	/16BIT	/8BIT	/NOMAN	/LENGTH=
L=	/FILE-OFFSET=	/FO=	/OFFSET=	/O=
/DELAY=	/DEVICE-BASE=	/DB=	/DRIVER=	/DATA-MASK=
/DM=	/IROFFS=	/CPUPOS=	/DEVICE=	/PIN=
/I2CCLK=	/I2CDAT=	/I2CDATI=	/I2CDATO=	I2CBIG
/WATCH=	/OUT=	/INI=	/REP	

The following options are valid for most functions:

`/DRIVER=x` with  $x = 1,2,3,4$

A driver for the interface to the JTAG-BOOSTER on the parallel port may be specified. `/DRIVER=1` selects the fastest available driver, `/DRIVER=4` selects the slowest one. Use a slower driver if there are problems with JTAG-BOOSTER.

Default: `/DRIVER=3`

`/INI=file`

An initialization file may be specified. By default the current directory is searched for the file `JTAGxxx.INI`. If this file is not found and no initialization file is specified in the command line, default initialization values are used (see also chapter 1.10 "Initialization file `JTAGxxx.INI`").

Default: `/INI=JTAGxxx.INI`

`/LATTICE`

For demonstration purposes this software works with the Lattice ispLSI-Adapter, too. With the option `/LATTICE` you can simulate the speed achievable with the simple ispLSI-Adapter.

`/LPT1 /LPT2 /LPT3`

A printer port may be specified where the JTAG-Booster resides.

Default: `/LPT1`

**/LPT-BASE**

The physical I/O-Address of printer port may be specified instead of the logical printer name. Useful option, if you work with WinNT or Win2000, because the standard printer port is mapped as LPT2 here. Use the option `/LPT-BASE=378` to get a command line which works independent of the operation system.

**/OUT=file\_or\_device**

All screen outputs are redirected to the specified file or device. Note that you can't redirect to the same parallel port where the JTAG-Booster resides.

Default: `/OUT=CON`

**/PAUSE**

With the option `/PAUSE` you can force the program to stop after each screen. Please do not use this option if you redirect the output to a file.

Abbreviation: `/P`

**/WATCH=**

With the option `/WATCH=` a pin can be specified, which is toggled twice per second, while the program is active. This pin may be the trigger of a watchdog. This pin must be specified as output in the initialization file.

**/IROFFS=**

Specifies the position of the Analog Devices ADSP-21xxx instruction register within the JTAG chain. In most cases this option is not needed.

Default: `/IROFFS=0`

**/CPUPOS=**

Specifies the position of the Analog Devices ADSP-21xxx within the JTAG chain.

Default: `/CPUPOS=0`



## **2.1. Program a Flash Device**

**Usage:** JTAGxxx /P filename [optionlist]

The specified file is programmed into the flash memory. The flash status is polled after programming of each cell (cell=8, 16 or 32 bit, depending on current data bus width). In case of a programming error, the contents of the flash memory is written to a file with the extension DMP.

If you want a complete verify after programming, please use an additional command line with the verify function. See chapter 2.3 “Verify a Flash Device with file”. In most cases this additional verify step is not needed.

The type of the flash device is normally detected by the software. When autodetection fails you should use the /DEVICE= option together with /8BIT or /16BIT or /32BIT to set the right flash device and configuration. The known flash devices are shown in chapter 1.11 “Supported flash devices”.

### **Options:**

**/DEVICE=devicename**

The flash device is detected automatically by switching to autoselect mode. In case of trouble you should select the flash device by using this parameter to avoid autodetection. Combine this option with one of the following options which specify the data bus width and the option /BYTE-MODE if applicable.

**/8BIT /16BIT /32BIT**

Specifies the data bus width to the target flash device. You can speed up autodetection, if you specify the correct data bus size. You need this option together with the option /DEVICE= to explicit specify a specific flash configuration.

**/BYTE-MODE**

If there is a flash device connected to the CPU which does have a byte mode pin (8 bit and 16/32 bit bus mode), you can force it to be used as 8 bit mode with the option /BYTE-MODE. In most cases this option will not be needed.

**/NOMAN**

If you use a flash device which is identical to one of the supported parts, but is from a different manufacturer, with this option you can suppress the comparison of the manufacturer identification code. We recommend to use this option together with the `/DEVICE=` option to avoid failures in autodetection.

**/DEVICE-BASE=hhhhh<sup>1</sup>**

Here you can specify a flash device starting address. In most cases, where the flash device is selected with one of the CPUs chip select pins, this parameter is not needed. But if there is any decoding logic in your hardware, this option will be needed. Especially, if there are several flash banks connected to one chip select and a sub decoding logic generates chip selects for these flash banks, this option can be used to select a specific flash bank.

Default: `/DEVICE-BASE=0`

Abbreviation: `/DB=`

**/OFFSET=hhhhh**

The programming starts at an offset of hhhhh relative to the start address of the flash device. If the offset is negative, the offset specifies an address relative to the end of the flash device. See also option `/TOP`

Default: `/OFFSET=0`

Abbreviation: `/O=`

**/TOP**

If the option `/TOP` is used the option `/OFFSET=` specifies the address where the programming ends (plus one) instead of the starting address. This option is very important for Intel CPU architectures, because target execution always starts at the top of the address space.

**/FILE-OFFSET=hhhhh**

If `FILE-OFFSET` is specified, the first hhhhh bytes of the file are skipped and not programmed to target.

Default: `/FILE-OFFSET=0`

Abbreviation: `/FO=`

<sup>1</sup>hhhhh=number base is hex

**/LENGTH=hhhhh**

The number of programmed bytes may be limited to LENGTH. If no LENGTH is specified the whole file is programmed.

Default: /LENGTH=4000000 (64 MByte)

Abbreviation: /L=

**/NODUMP**

In case of a verify error the contents of the flash memory is written to a file with the extension .DMP. With /NODUMP you can suppress this feature.

**/ERASEALL**

Erase the whole flash device. If this option isn't set, only those blocks are erased where new data should be written to.

**/NOERASE**

This option prevents the flash device from being erased.

**/BMS /MS0 /MS1 /MS2 /MS3**

This options may be used to specify one or more chip select signals to the flash memory. The used chip selects must be defined as output and inactive in the initialization file. (See chapter 1.10 "Initialization file JTAGxxx.INI".)

Default: /BMS

**/NOCS**

Use this option to switch off all chip select signals. This may be necessary if the device's chip select is generated via a normal decoder instead of using the Analog Devices ADSP-21xxx chip select unit.

**/NOWRSETUP**

By default write cycles to the Flash EPROM are realized with three steps: 1. set address/data 2. write strobe active 3. write strobe inactive. **In most cases** it is possible to set the write strobe coincident with setting of address and data by specifying the option /NOWRSETUP. **This increases the programming speed by 50%.**

**Examples:**

JTAGxxx /P ROMDOS.ROM /L=20000 /TOP

This example programs up to 128 Kbytes of the file ROMDOS.ROM (with i.e. 512 Kbytes) to the top of the boot flash memory.

JTAGxxx /P CE.ROM /32BIT /MS0

This example programs the file CE.ROM to the 32 Bit Flash-EEPROM connected to MS0#.

## **2.2. Read a Flash Device to file**

**Usage:** JTAGxxx /R filename [optionlist]

The contents of a flash device is read and written to a file.

The type of the flash device is normally detected by the software. When autodetection fails you should use the /DEVICE= option together with /8BIT or /16BIT or /32BIT to set the right flash device and configuration. The known devices are shown in chapter 1.11 "Supported flash devices".

### **Options:**

/DEVICE=devicename

See function /P (Chapter 2.1)

/8BIT /16BIT /32BIT

See function /P (Chapter 2.1)

/BYTE-MODE

See function /P (Chapter 2.1)

/NOMAN

See function /P (Chapter 2.1)

/DEVICE-BASE=hhhhh<sup>2</sup>

See function /P (Chapter 2.1)

/OFFSET=hhhhh

Reading of the flash memory starts at an offset of hhhhh relative to the start address of the flash device. If the offset is negative, the offset specifies a address relative to the end of the flash device.

See also option /TOP.

Default: /OFFSET=0

Abbreviation: /O=

<sup>2</sup>hhhhh=number base is hex

**/TOP**

If the option `/TOP` is used the option `/OFFSET=` specifies the address where reading ends (plus one) instead of the starting address.

**/LENGTH=hhhhh**

The number of read bytes may be limited to `LENGTH`. If no `LENGTH` is specified the whole flash device is read (if no offset is specified).

**/BMS /MS0 /MS1 /MS2 /MS3 /NOCS**

See function `/P` (Chapter 2.1)

**/NOWRSETUP**

See function `/P` (Chapter 2.1)

Please note: In the function `/R` write cycles are needed to detect the type of the flash memory.

**Example:**

JTAGxxx /R BIOS.ABS /L=10000 /TOP

This example may be used to read the upper most 64 Kbyte of the flash memory to the file BIOS.ABS.

### **2.3. Verify a Flash Device with file**

**Usage:** JTAGxxx /V filename [optionlist]

The contents of a flash device is compared with the specified file. If there are differences the memory is dumped to a file with the extension DMP.

The type of flash device is normally detected by the software. When autodetect fails you should use the /DEVICE= option together with /8BIT or /16BIT or /32BIT to set the right flash device and configuration. The known devices are shown in chapter 1.11 "Supported flash devices".

#### **Options:**

/DEVICE=devicename

See function /P (Chapter 2.1)

/8BIT /16BIT /32BIT

See function /P (Chapter 2.1)

/BYTE-MODE

See function /P (Chapter 2.1)

/NOMAN

See function /P (Chapter 2.1)

/DEVICE-BASE=hhhhh

See function /P (Chapter 2.1)

/OFFSET=hhhhh

See function /P (Chapter 2.1)

/TOP

See function /P (Chapter 2.1)

/FILE-OFFSET=hhhhh

See function /P (Chapter 2.1)

/LENGTH=hhhhh

See function /P (Chapter 2.1)

/NODUMP

See function /P (Chapter 2.1)

/BMS /MS0 /MS1 /MS2 /MS3 /NOCS

See function /P (Chapter 2.1)

/NOWRSETUP

See function /P (Chapter 2.1)

Please note: In the function /V write cycles are needed to detect the type of the flash memory.

**Example:**

JTAGxxx /V ROMDOS.ROM /L=20000 /TOP

This example may be used to verify the upper most 128 Kbytes of the flash memory with the file ROMDOS.ROM (with i.e. 512 Kbytes).



**2.4. Dump target memory**

**Usage:** JTAGxxx /DUMP [optionlist]

A Hex-Dump of the target memory is printed on the screen, if not redirected to file or device.

**Options:**

/8BIT /16BIT /32BIT  
Default: /8BIT

/OFFSET=hhhhh

The memory dump starts at an offset of hhhhh plus the device start address (see option /DEVICE-BASE=).

Default: /OFFSET=0  
Abbreviation: /O=

/DEVICE-BASE=hhhhh<sup>3</sup>

The device start address is used as an additional offset. This gives the function /DUMP the same behavior as function /P /V and /R.

Default: /DEVICE-BASE=0  
Abbreviation: /DB=

/TOP

If the option /TOP is used the option /OFFSET= specifies the address where the dump ends (plus one) instead of the starting address

/LENGTH=hhhhh

Default: /LENGTH=100  
Abbreviation: /L=

/BMS /MS0 /MS1 /MS2 /MS3 /NOCS

See function /P (Chapter 2.1)

Default: /BMS

<sup>3</sup>hhhhh=number base is hex

**Example:**

JTAGxxx /DUMP /BMS

This example makes a memory dump of the first 256 bytes of the Boot-EPROM.

## **2.5. Program an I<sup>2</sup>C-Device**

**Usage:** JTAGxxx /PI2C filename [/I2CBIG] [optionlist]

The specified file is programmed to an I<sup>2</sup>C-Device (i.e. a serial EEPROM) connected to pins of the CPU. Finally a complete verify is done. If the verify fails, the contents of the I<sup>2</sup>C-Device is written to a file with the extension DMP.

Two methods to connect the I<sup>2</sup>C-Device to the CPU are supported. The first method is to use two CPU pins, one pin for clock output (I2CCLK) and one pin for serial data input and output (I2CDAT). The second method is to use one pin for clock output (I2CCLK), one for serial data input (I2CDATI) and one for serial data output (I2CDATO).

### **Options:**

#### **/I2CBIG**

Specify this option if there is a device which needs a three byte address instead of a two byte address.

**This option must be the first option after the filename.**

#### **/DEVICE-BASE=hhhhhh**

This option specifies an I<sup>2</sup>C device starting address. The default values are chosen to access an serial EEPROM.

Default: /DEVICE-BASE=5000 (if option /I2CBIG omitted)

Default: /DEVICE-BASE=500000 (if option /I2CBIG specified)

#### **/OFFSET=hhhhhh**

The programming starts at an offset of hhhhhh relative to the start address of the I<sup>2</sup>C-Device.

Default: /OFFSET=0

Abbreviation: /O=

#### **/FILE-OFFSET=hhhhhh**

If FILE-OFFSET is specified, the first hhhhhh bytes of the file are skipped and not programmed to target.

Default: /FILE-OFFSET=0

Abbreviation: /FO=

`/LENGTH=hhhhh`

The number of programmed bytes may be limited to LENGTH. If no LENGTH is specified the whole file is programmed.

Abbreviation: `/L=`

`/NODUMP`

In case of a verify error the contents of the I<sup>2</sup>C-Device is written to a file with the extension .DMP. With option `/NODUMP` you can suppress this feature.

`/I2CCLK=pin_name`

Specifies the CPU pin used for serial clock output.

`/I2CDAT=pin_name`

Specifies the CPU pin used for serial data input and output. Pin\_name must specify a bidirectional pin otherwise an error message occurs. Instead of one bidirectional pin one pin for serial data input and one for serial data output may be used. See option `/I2CDATO=` and `/I2CDATI=` .

`/I2CDATO=pin_name`

Specifies the CPU pin used for serial data output. Pin\_name must specify a output pin otherwise an error message occurs.

`/I2CDATI=pin_name`

Specifies the CPU pin used for serial data input. Pin\_name must specify a input pin otherwise an error message occurs.

**Example:**

`JTAGxxx /I2C EEPROM.CFG /I2CCLK=FLAG0 /I2CDAT=FLAG1`

This example loads the file EEPROM.CFG to a serial EEPROM connected to the pins FLAG0 and FLAG1 of the Analog Devices ADSP-21xxx

## **2.6. Read an I<sup>2</sup>C-Device to file**

**Usage:** JTAGxxx /RI2C filename [/I2CBIG] /L=hhhhhh [optionlist]

The contents of an I<sup>2</sup>C-Device (i.e. a serial EEPROM) is read and written to a file. The option /LENGTH= must be specified.

### **Options:**

/I2CBIG

**This option must be the first option after the filename.**

See function /PI2C (Chapter 2.5)

/DEVICE-BASE=hhhhhh

See function /PI2C (Chapter 2.5)

/OFFSET=hhhhhh

Reading of the I<sup>2</sup>C-Device starts at an offset of hhhhhh relative to the start address of the I<sup>2</sup>C-Device.

Default: /OFFSET=0

Abbreviation: /O=

/LENGTH=hhhhhh

The number of read bytes must be specified otherwise an error message occurs.

Abbreviation: /L=

/I2CCLK=pin\_name

See function /PI2C (Chapter 2.5)

/I2CDAT=pin\_name

See function /PI2C (Chapter 2.5)

/I2CDATO=pin\_name

See function /PI2C (Chapter 2.5)

/I2CDATI=pin\_name

See function /PI2C (Chapter 2.5)

**Example:**

JTAGxxx /I2C EEPROM.CFG /I2CCLK=GP26 /I2CDAT=GP27 /L=100  
This example reads 256 bytes from a serial EEPROM to the file EEPROM.CFG.  
The serial EEPROM is connected to the pins CP26 and GP27 of the Analog  
Devices ADSP-21xxx.

## **2.7. Verify an I<sup>2</sup>C-Device with file**

**Usage:** JTAGxxx /I2C filename [/I2CBIG] [optionlist]

The contents of an I<sup>2</sup>C-Device (i.e. a serial EEPROM) is compared with the specified file. If there are differences the contents of the I<sup>2</sup>C -Device is written to a file with the extension DMP.

### **Options:**

/I2CBIG

**This option must be the first option after the filename.**

See function /PI2C (Chapter 2.5)

/DEVICE-BASE=hhhhhh

See function /PI2C (Chapter 2.5)

/OFFSET=hhhhhh

See function /PI2C (Chapter 2.5)

/FILE-OFFSET=hhhhhh

See function /PI2C (Chapter 2.5)

/LENGTH=hhhhhh

See function /PI2C (Chapter 2.5)

/NODUMP

See function /PI2C (Chapter 2.5)

/I2CCLK=pin\_name

See function /PI2C (Chapter 2.5)

/I2CDAT=pin\_name

See function /PI2C (Chapter 2.5)

/I2CDATO=pin\_name

See function /PI2C (Chapter 2.5)

/I2CDAT=pin\_name

See function /PI2C (Chapter 2.5)

**Example:**

JTAGxxx /I2C EEPROM.CFG /I2CCLK=GP26 /I2CDAT=GP27

This example verifies 256 bytes from a serial EEPROM with the file EEPROM.CFG. The serial EEPROM is connected to the pins CP26 and GP27 of the Analog Devices ADSP-21xxx.



## **2.8. Dump an I<sup>2</sup>C-Device**

**Usage:** JTAGxxx /DUMPI2C [/I2CBIG] [optionlist]

A Hex-Dump of an I<sup>2</sup>C-Device is printed on the screen, if not redirected to file or device.

### **Options:**

/I2CBIG

**This option must be the first option.**

See function /PI2C (Chapter 2.5)

/DEVICE-BASE=hhhhhh

See function /PI2C (Chapter 2.5)

/OFFSET=hhhhh<sup>4</sup>

The memory dump starts at an offset of hhhhhh.

Default: /OFFSET=0

Abbreviation: /O=

/LENGTH=hhhhh

Default: /LENGTH=100

Abbreviation: /L=

/I2CCLK=pin\_name

Specifies the CPU pin used for serial clock output.

/I2CDAT=pin\_name

Specifies the CPU pin used for serial data input and output. Pin\_name must specify a bidirectional pin otherwise an error message occurs. Instead of one bidirectional pin one pin for serial data input and one for serial data output may be used. See option /I2CDATO= and /I2CDATI= .

/I2CDATO=pin\_name

Specifies the CPU pin used for serial data output. Pin\_name must specify a output pin otherwise an error message occurs.

<sup>4</sup>hhhhh=number base is hex

`/I2CDATI=pin_name`

Specifies the CPU pin used for serial data input. Pin\_name must specify a input pin otherwise an error message occurs.

**Example:**

`JTAGxxx /DUMPI2C /I2CCLK=FLAG0 /I2CDAT=FLAG1`

This example makes a memory dump of the first 100h bytes of a serial EEPROM connected to the CPU.

## **2.9. Toggle CPU pins**

**Usage:** JTAGxxx /BLINK /PIN=pinname [optionlist]

This command allows to test the hardware by blinking with LEDs or toggling CPU signals. Faster signals can be generated by setting the delay option to zero. This can be a very helpful feature to watch signals on an oscilloscope.

The signal on the defined pin has an duty cycle of 1/2: The level is 67% high and 33% low.

Please Note: Not every pin of the Analog Devices ADSP-21xxx may be specified as an output pin.

### **Options:**

/PIN=pin\_name

CPU pin to toggle. If the option /PIN= is not specified an error message occurs. Most pins of the list in chapter 1.10 "Initialization file JTAGxxx.INI" can be used. If you type /PIN= without any pin declaration a list of the CPU pins is displayed.

/DELAY=dddddd<sup>5</sup>

Time to wait to next change of signal. This option can be adjusted to get optimum signals for measures with the oscilloscope.

Default: /DELAY=10000

### **Example:**

JTAGxxx /BLINK /PIN=FLAG3 /DELAY=0

This example toggles the FLAG3 pin very fast which can be followed by the use of an oscilloscope.

<sup>5</sup>dddddd=number base is decimal

## **2.10. Polling CPU pins**

**Usage:** JTAGxxx /PIN? /PIN=pinname [optionlist]

This command allows to test the hardware by polling CPU signals.

Please Note: Not every pin of the Analog Devices ADSP-21xxx may be specified as an input pin.

### **Options:**

/PIN=pin\_name

CPU pin to poll. If the option /PIN= is not specified an error message occurs. Most pins of the list in chapter 1.10 "Initialization file JTAGxxx.INI" can be used. If you type /PIN= without any pin declaration a list of the CPU pins is displayed.

### **Example:**

JTAGxxx /PIN? /PIN=RESET#

This example samples the reset pin of the Analog Devices ADSP-21xxx.

**2.11. Polling CPU pins while the CPU is running**

**Usage:** JTAGxxx /SAMPLE /PIN=pinname [optionlist]

This command is similar to the function /PIN?. But with this function any pin can be observed, independent of the pin direction. Furthermore the CPU remains in normal operation.

**Options:**

/PIN=pin\_name

CPU pin to poll. If the option /PIN= is not specified an error message occurs. All pins of the list in chapter 1.10 "Initialization file JTAGxxx.INI" can be used. If you type /PIN= without any pin declaration a list of the CPU pins is displayed.

**Example:**

JTAGxxx /SAMPLE /PIN=FLAG3

This example samples the state of the port pin FLAG3 while the Analog Devices ADSP-21xxx is running.

## **2.12. Show status of all CPU pins while the CPU is running**

**Usage:** JTAGxxx /SNAP [optionlist]

This function is similar to the function /SAMPLE, but displays the status of all CPU pins on the screen. The CPU remains in normal operation.

The behavior of the function /SNAP depends on the option /REP: With this option specified, the JTAG-Booster samples and displays the state of the CPU pins repetitive. Without this option the status of the pins is displayed only once.

### **Options:**

**/PAUSE**

Use this option to stop the output after each displayed screen. Don't use this option together with the option /REP or if the output is redirected to a file.

Abbreviation /P

**/REP**

If this option is specified the status of the pins is sampled and displayed repetitive. In case of many signals the display is separated into several screens. Therefor we recommend to use a video mode with 43 or 50 lines. Use the '+' and the '-' key to switch between different screens. Any other key terminates the program.

Sample output:

This is a sample output for a Analog Devices ADSP-21065

1 BSEL	1 BMS#	1 RESET#	1 ADDR23
1 ADDR22	1 ADDR21	1 ADDR20	1 ADDR19
1 ADDR18	1 ADDR17	1 ADDR16	1 ADDR15
1 ADDR14	1 ADDR13	1 ADDR12	1 ADDR11
1 ADDR10	0 ADDR9	1 ADDR8	1 ADDR7
0 ADDR6	1 ADDR5	0 ADDR4	1 ADDR3
1 ADDR2	1 ADDR1	1 ADDR0	0 FLAG0
1 FLAG1	0 FLAG2	0 FLAG3	1 IRQ0#
1 IRQ1#	1 IRQ2#	1 RFS0	1 RCLK0
1 DR0_A	1 DR0_B	1 TFS0	1 TCLK0
0 DT0_A	0 DT0_B	0 RFS1	1 RCLK1
1 DR1_A	1 DR1_B	0 TFS1	1 TCLK1
0 DT1_A	0 DT1_B	0 PWM_EVENT1	0 PWM_EVENT0
1 BR1#	1 BR2#	0 CLKIN	0 SDCLK1
0 SDCLK0	1 DMAR1#	1 DMAR2#	1 HBR#
1 RAS#	1 CAS#	1 SDWE#	1 DQM
1 SDCKE	1 SDA10	1 DMAG1#	1 DMAG2#
1 HBG#	1 BMSTR	1 CS#	1 SBTS#
0 CLKSEL	1 WR#	1 RD#	0 REDY
1 SW#	1 CPA#	1 ACK	1 MS0#
1 MS1#	1 MS2#	1 MS3#	0 FLAG11
1 FLAG10	1 FLAG9	1 FLAG8	0 DATA0
0 DATA1	0 DATA2	0 DATA3	0 DATA4
1 DATA5	0 DATA6	0 DATA7	1 DATA8
1 DATA9	0 DATA10	0 DATA11	0 DATA12
0 DATA13	0 DATA14	0 DATA15	0 DATA16
0 DATA17	0 DATA18	0 DATA19	0 DATA20
0 DATA21	1 DATA22	0 DATA23	0 DATA24
0 DATA25	0 DATA26	0 DATA27	0 DATA28
0 DATA29	0 DATA30	0 DATA31	1 FLAG7
1 FLAG6	1 FLAG5	1 FLAG4	0 ID1
0 ID0	0 EMU#	0 SPARE1	0 SPARE2
0 SPARE3	0 SPARE4	0 SPARE5	0 SPARE6

### **3. Implementation Information**

This chapter summarizes some information about the implementation of the JTAG-Booster and describes some restrictions.

- The JTAG-Booster currently uses the EXTEST function of the JTAG-Interface to perform Flash programming.
- The JTAG interface of the Analog Devices ADSP-21xxx does not support an ICODE register. Therefore the analysis of the JTAG chain is not really possible. But we try to avoid unpredictable results by comparing the length of the boundary scan chain with the estimated length.
- Refer to the following table for connecting Flash-EPROMs to the Analog Devices ADSP-21xxx:

<b>ADSP-21060 signal</b>	<b>8 Bit Flash</b>	<b>16 Bit Flash</b>	<b>32 Bit Flash</b>
BMS# 1)	CS#	-	-
MS0# or MS1# or MS2# or MS3#	CS#	CS#	CS#
RD#	OE#	OE#	OE#
WR#	WE#	WE#	WE#
DATA16..23	D0..7	-	-
DATA16..31	-	D0..15	-
DATA16..47	-	-	D0..31

<b>ADSP-21065 signal</b>	<b>8 Bit Flash</b>	<b>16 Bit Flash</b>	<b>32 Bit Flash</b>
BMS# 1)	CS#	-	-
MS0# or MS1# or MS2# or MS3#	CS#	CS#	CS#
RD#	OE#	OE#	OE#
WR#	WE#	WE#	WE#
DATA0..7	D0..7	-	-
DATA0..15	-	D0..15	-
DATA0..31	-	-	D0..31



ADSP-21161 signal	8 Bit Flash	16 Bit Flash	32 Bit Flash
BMS# 1)	CS#	-	-
MS0# or MS1# or MS2# or MS3#	CS#	CS#	CS#
RD#	OE#	OE#	OE#
WR#	WE#	WE#	WE#
DATA16..23	D0..7	-	-
DATA16..31	-	D0..15	-
DATA16..47	-	-	D0..31

- 1) Only a 8 bit Boot-Flash is supported by the Analog Devices ADSP-21xxx

#### **4. Converter Program HEX2BIN.EXE**

Since the JTAG-Booster software is not able to handle Intel-HEX or Motorola S-Record files, an separate converter tool is delivered with this product package.

Five types of HEX formats can be converted to BIN file:

- I : INTEL HEX format (BYTE oriented)
- D : Digital Research
- M : MOTOROLA S HEX format (BYTE oriented)
- T : TEKTRONICS HEX format (BYTE oriented)
- H : Intel HEX-32

Maximum conversion size is 256 kBytes. A 4<sup>th</sup> parameter for starting address can be specified to skip out the leading garbage and you will maintain a small size of output binary file.

If you start the HEX2BIN without any additional parameter all necessary parameters will be asked for in a prompt mode:

```

HEX2BIN
Input HEX file name: MYAPP.H86
Output BIN file name[MYAPP.BIN]:
HEX file format
<I>ntel /<M>otorola /<D>igital Research /<T>ektronics /[H] Intel HEX-32[I] : H
Input CODE segment start address[0000000]: 10000
Input CODE segment end address[FFFFFFFF]:
Unused bytes will be <1>00 <2>FF [1] : 2
    
```

Instead of using the prompt mode, you can directly specify all necessary parameters in the command line. This is essential for making batch files:

```
HEX2BIN MYAPP.H86 MYAPP.BIN H 0010000 FFFFFFFF 2
```

It is very important to fill unused bytes with 0xFF, because this are simply skipped by the JTAG-Boosters software and so it speeds up the programming performance.

Please Note: "**CODE segment start address**" is interpreted as a Intel x86 architecture segment address: You have to specify a start address of 10000 to start the conversion at 1 MByte.

This converter is a relatively old DOS tool and therefor it has problems with non DOS compliant file and directory names. Avoid names with spaces, limit names to eight characters. Otherwise the converter does not convert the input file, without any error message!!

## **5. Support for Windows NT and Windows 2000**

A configured run time version of the "Kithara DOS Enabler, Version 5.1" is used to give support for some of our DOS based tools (like the JTAG-Booster) for Windows NT and Windows 2000. After installation of the "DOS Enabler" the accesses to the LPT or COM ports are allowed for the all programs listed in file Readme\_WinNT.txt

Note: Accesses to the ports are only allowed for the programs listed in file Readme\_WinNT.txt. If you rename one of our tools, the DOS Enabler does not work.

### **5.1. Installation on a clean system**

If you have a clean system without having installed a previous version of the "Kithara Tool Center", this tool is really simple to install. Extract the ZIP file to a new folder and start KSETUP.EXE. Everything is done within a few seconds. No additional input is needed. Now reboot your PC.

### **5.2. Installation with already installed a previous version of Kithara**

Important!! If you have already installed an older WinNT support, you have to deinstall it completely!!!

- Start kcenter
- Select Register "Einstellungen" (=Settings) and deactivate "VDD benutzen" and "speziellen seriellen Treiber benutzen".
- Stop Kernel
- exit the kcenter program
- Now you can deinstall the Kithara Package with:  
Settings - Control Panel.  
All unused parts must be removed.
- Reboot your PC
- Now you can install the Kithara 5.xx as described above.