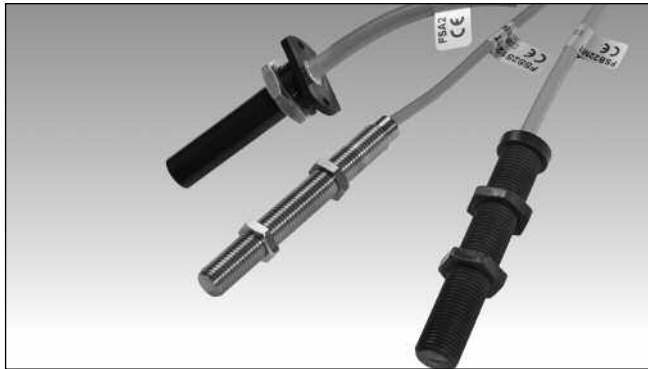


Proximity Magnetic Sensors Cylindrical Housing FS Series

CARLO GAVAZZI



- Cylindrical, plastic or brass housing
- M10, M12, M16 or Ø 13.5 diameter
- NO, NC, CO or bistable output functions
- Front side switching

Product Description

The sensors of the FS series have different dimensions and output contacts with output connection in PVC cable. They are available in several versions with plastic or brass housing.

The models can be mounted directly on ferromagnetic supports as well; in this situation a reduction in the operating distance may occur due to a loss of magnetic field.

Ordering Key

FS A 2 S3 2MT

Type _____
 Output function _____
 Reed contact type _____
 Special version _____
 Cable length _____

Type Selection

Housing diameter	Connection	Output function	Reference
Ø 13.5	PVC cable L= 0.5m	NO	FS A 2
Ø 13.5	PVC cable L= 0.5m	NO	FS A 8
Ø 13.5	PVC cable L= 0.5m	NC	FS C 2
Ø 13.5	PVC cable L= 0.5m	NC	FS C 8
Ø 13.5	PVC cable L= 0.5m	CO	FS S 2
M10	PVC cable L= 2 m	NO	FS A 2 S3 2MT
M10	PVC cable L= 2 m	CO	FS S 2 S1 2MT
M12	PVC cable L= 2 m	NO	FS A 2 S4 2MT
M12	PVC cable L= 2 m	CO	FS S 2 S4 2MT
M16	PVC cable L= 2 m	Bistable	FS B 2 2MT

Diameters are specified in millimeters (mm)

Output Specifications

Output	Connection	Contact ratings (cont.)	Reference
FSA2, FSA8, FSA2S32MT, FSA2S42MT FSC2, FSC8 FSS2, FSS2S12MT, FSS2S42MT FSB22MT	NO NC Change-over Bistable	Max Switching Power FSA2, FSC2, FSB22MT, FSA2S32MT, FSA2S42MT FSA8, FSC8 FSS2, FSS2S42MT, FSS2S12MT	100 VA 120 VA 60 VA
Contact ratings Max Switching Voltage FSA2, FSC2, FSB22MT, FSA2S32MT, FSA2S42MT FSA8, FSC8 FSS2, FSS2S42MT, FSS2S12MT Max Switching Current FSA2, FSC2, FSB22MT, FSA2S32MT, FSA2S42MT FSA8, FSC8 FSS2, FSS2S42MT, FSS2S12MT	250 VAC 1500 VAC 230 VAC 3 A 3 A 1 A		



General Specifications

Operating distance	See Operating Distance table	Housing Diameter FSA2, FSA8, FSC2, FSC8, FSS2 FSA2S32MT, FSS2S12MT FSA2S42MT, FSS2S42MT FSB22MT Material FSA2, FSA8, FSC2, FSC8, FSS2, FSB22MT FSA2S32MT, FSS2S12MT, FSA2S42MT, FSS2S42MT	Ø 13.5 mm M10 x 1.25 mm M12 x 1 mm M16 x 1.5 mm
Suitable magnetic unit	See Operating Distance table		
Operating temperature	-25 to +75 °C		
Degree of protection	IP 67		
		CE-marking	Yes

Operating Distance

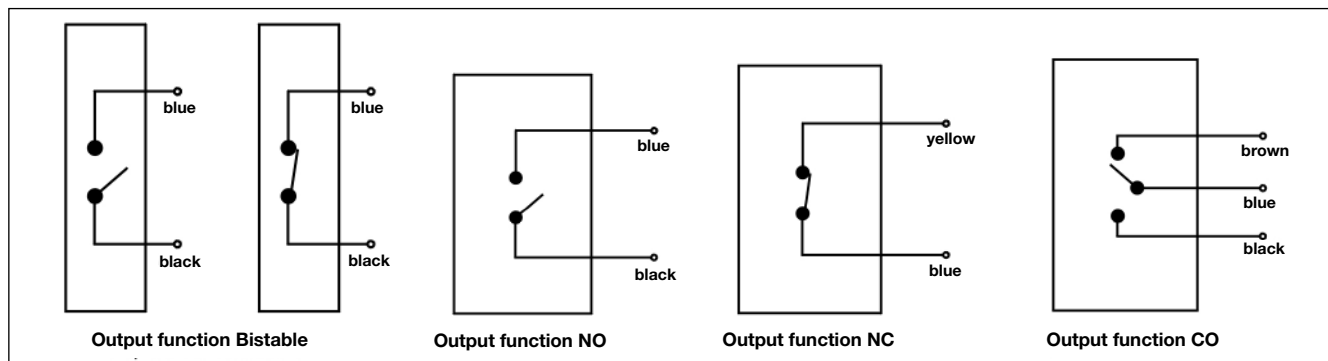
Magnetic units	CL10	CL11	CL18	CL20S1	CL20S3	CL23	CL31
FSA2, FSA8, FSS2 FSC2, FSC8	-	9	-	8	7	7	12
FSA2S32MT, FSS2S12MT, FSA2S42MT, FSS2S42MT	-	12/0.5*	-	7	6	3	12/0.5*
FSB22MT	11	9	-	8	7	7	12
		30	11	29	27	20	32

Distances are specified in millimeters (mm)

xx/xx: operating distance (for all Output functions); xx/xx*: reswitching contact distance.

Outside the above mentioned range, the sensor maintains the initial state

Wiring Diagrams



Dimensions

