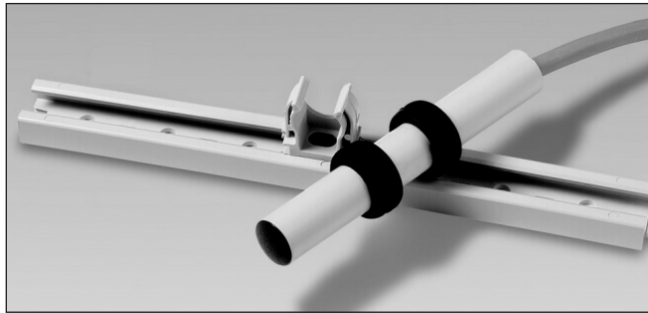


# Proximity Magnetic Sensors Cylindrical Body, FSLP Series



- Cylindrical case
- Plastic body
- Ø16 diameter
- NO output function
- Mounting kit provided
- Front and side switching

## Product Description

The FSLP. magnetic sensors are characterized by high sensibility switching contact, that allows good front and side switching distances. Every single sensor is provided with a mounting kit consisting

of a guide, a mobile support (that can move on the guide) and two grommets to fix the sensor to the mobile support. Plastic body and NO or Bistable output function complete their basic features.

## Ordering Key

**FSLP.A.7**

Type \_\_\_\_\_  
 Output Function \_\_\_\_\_  
 Reed Contct Type \_\_\_\_\_

## Type Selection

Operating poles	Output function	Reference
N and S Contact closed by N Contact opened by S	NO	FSLP.A.7
	Bistable	FSLP.B.2

## General specification

Case	Plastic
Protection degree	IP67
Operating temperature	-30 ÷ +80 °C
Output connection	PVC Cable
Modular guide external dimensions	20 x 200 x 10 mm

## Electrical specifications

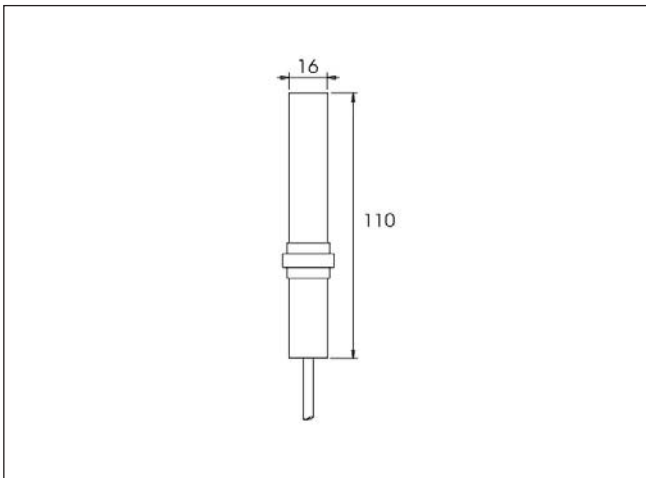
Contacts	7	S.2
Dielectric strength	200 Vdc	800 Vdc
Max switching voltage	100 Vac	250 Vac
Max switching current	0,4 A	3 A
Max switching power	10 VA	120 VA
Insulation resistance between contacts	>10 <sup>9</sup> Ohm	

## Operating distance

Switching type	Front	Side
FSLP.A.7	25	>15
FSLP.B.2	18	>10
Magnetic Unit CL.20/S3		



## Dimensions



## Wiring Diagrams

