

# Proximity Magnetic Sensors Cylindrical Housing FSM Series



- Cylindrical, brass or nickel plated brass housing
- M12 or M16 diameter
- NO or CO output functions
- Front side switching

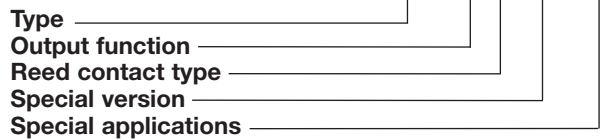
## Product Description

The cylindrical proximity magnetic sensors of the FSM series are available in different versions with brass or nickel-plated brass housing, different dimensions and output contacts. They can be mounted directly on ferromagnetic supports as

well; in this situation a reduction in the operating distance may occur due to a loss of magnetic field. FSMA7 model is provided with output function status LED, while FSMS2S2AT can resist to temperature up to 180 °C.

## Ordering Key

**FSM S 2 S2 AT**



## Type Selection

Housing diameter	Connection	Output function	Reference
M12	PVC cable	NO	FSM A 2
M12	Silicone cable	NO	FSM A 7
M12	PVC cable	CO	FSM S 2
M16	PVC cable	CO	FSM S 2 S2
M16	Silicone cable	CO	FSM S 2 S2 AT

Diameters are specified in millimeters (mm)

## Output Specifications

<b>Output</b> FSMA2, FSMA7 FSMS2, FSMS2S2, FSMS2S2AT	NO Change-over
<b>Contact ratings</b> Max Switching Voltage FSMA2 FSMA7 FSMS2, FSMS2S2, FSMS2S2AT	250 VAC 24 VDC 220 VAC
Max Switching Current FSMA2 FSMA7 FSMS2, FSMS2S2, FSMS2S2AT	3 A 50 mA 1 A
Max Switching Power FSMA2 FSMA7 FSMS2, FSMS2S2, FSMS2S2AT	100 VA negligible 60 VA

## General Specifications

<b>Operating distance</b> FSM Series	See Operating Distance table
<b>Suitable magnetic unit</b> FSM Series	See Operating Distance table
<b>Ambient temperature</b> Operating FSMA2, FSMA7, FSMS2, FSMS2S2 FSMS2S2AT	-25 to +75 °C -25 to +180°C
<b>Environment</b> Degree of protection	IP 67
<b>Housing</b> Diameter FSMA2, FSMA7, FSMS2 FSMS2S2, FSMS2S2AT Material FSMA2, FSMA7, FSMS2 FSMS2S2, FSMS2S2AT	M12 x 1 M16 x 1 Nickel-plated brass Brass
<b>CE-marking</b>	Yes

## Operating Distance

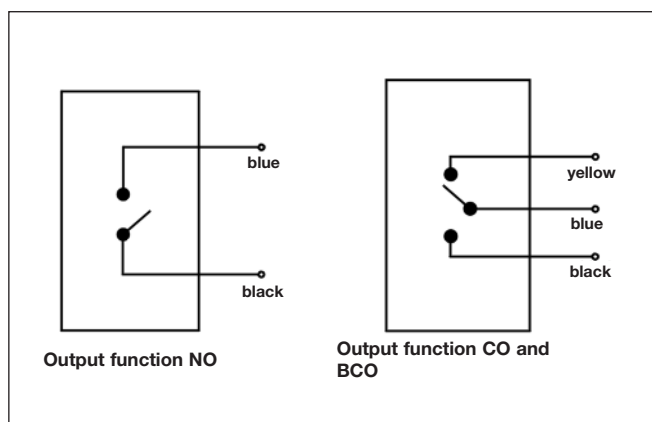
Magnetic units	CL10	CL11	CL18	CL20S1	CL20S3	CL23	CL31	CL50
FSMA2	-	16	2	14	13	11	19	-
FSMS2	-	9	-	-	-	-	-	19
FSMA7*	-	-	-	-	-	-	-	-
FSMS2S2AT	-	-	-	-	8	-	-	-

Distances are specified in millimeters(mm)

xx: operating distance (for all Output functions).

\* ≥7 mm with Neodimium REN 35, 5x5x1.5 magnetic unit mounted on iron

## Wiring Diagrams



## Dimensions

