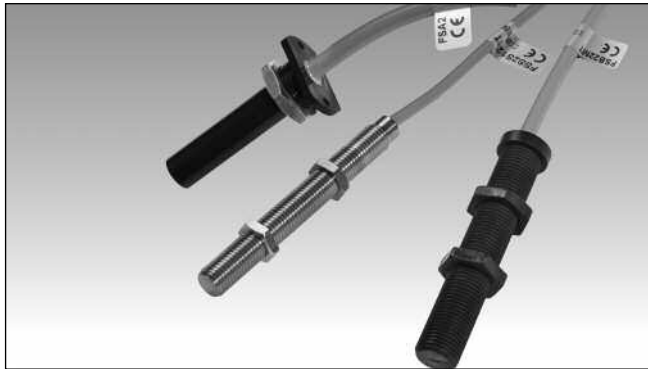


# Proximity Magnetic Sensors Cylindrical Housing FS Series

CARLO GAVAZZI



- Cylindrical, plastic or brass housing
- M10, M12, M16 or Ø 13.5 diameter
- NO, NC, CO or bistable output functions
- Front side switching

## Product Description

The sensors of the FS series have different dimensions and output contacts with output connection in PVC cable. They are available in several versions with plastic or brass housing.

The models can be mounted directly on ferromagnetic supports as well; in this situation a reduction in the operating distance may occur due to a loss of magnetic field.

## Ordering Key

**FS A 2 S3 2MT**

Type \_\_\_\_\_  
 Output function \_\_\_\_\_  
 Reed contact type \_\_\_\_\_  
 Special version \_\_\_\_\_  
 Cable length \_\_\_\_\_

## Type Selection

Housing diameter	Connection	Output function	Reference
Ø 13.5	PVC cable L= 0.5m	NO	<b>FS A 2</b>
Ø 13.5	PVC cable L= 0.5m	NO	<b>FS A 8</b>
Ø 13.5	PVC cable L= 0.5m	NC	<b>FS C 2</b>
Ø 13.5	PVC cable L= 0.5m	NC	<b>FS C 8</b>
Ø 13.5	PVC cable L= 0.5m	CO	<b>FS S 2</b>
M10	PVC cable L= 2 m	NO	<b>FS A 2 S3 2MT</b>
M10	PVC cable L= 2 m	CO	<b>FS S 2 S1 2MT</b>
M12	PVC cable L= 2 m	NO	<b>FS A 2 S4 2MT</b>
M12	PVC cable L= 2 m	CO	<b>FS S 2 S4 2MT</b>
M16	PVC cable L= 2 m	Bistable	<b>FS B 2 2MT</b>

Diameters are specified in millimeters (mm)

## Output Specifications

Output	Connection	Contact ratings (cont.)	Reference
FSA2, FSA8, FSA2S32MT, FSA2S42MT FSC2, FSC8 FSS2, FSS2S12MT, FSS2S42MT FSB22MT	NO NC  Change-over Bistable	Max Switching Power FSA2, FSC2, FSB22MT, FSA2S32MT, FSA2S42MT FSA8, FSC8 FSS2, FSS2S42MT, FSS2S12MT	100 VA 120 VA  60 VA
<b>Contact ratings</b> Max Switching Voltage FSA2, FSC2, FSB22MT, FSA2S32MT, FSA2S42MT FSA8, FSC8 FSS2, FSS2S42MT, FSS2S12MT Max Switching Current FSA2, FSC2, FSB22MT, FSA2S32MT, FSA2S42MT FSA8, FSC8 FSS2, FSS2S42MT, FSS2S12MT	250 VAC 1500 VAC  230 VAC  3 A 3 A 1 A		



## General Specifications

<b>Operating distance</b>	See Operating Distance table	<b>Housing</b> Diameter FSA2, FSA8, FSC2, FSC8, FSS2 FSA2S32MT, FSS2S12MT FSA2S42MT, FSS2S42MT FSB22MT Material FSA2, FSA8, FSC2, FSC8, FSS2, FSB22MT FSA2S32MT, FSS2S12MT, FSA2S42MT, FSS2S42MT	Ø 13.5 mm M10 x 1.25 mm M12 x 1 mm M16 x 1.5 mm
<b>Suitable magnetic unit</b>	See Operating Distance table		
<b>Operating temperature</b>	-25 to +75 °C		
<b>Degree of protection</b>	IP 67		
		<b>CE-marking</b>	Yes

## Operating Distance

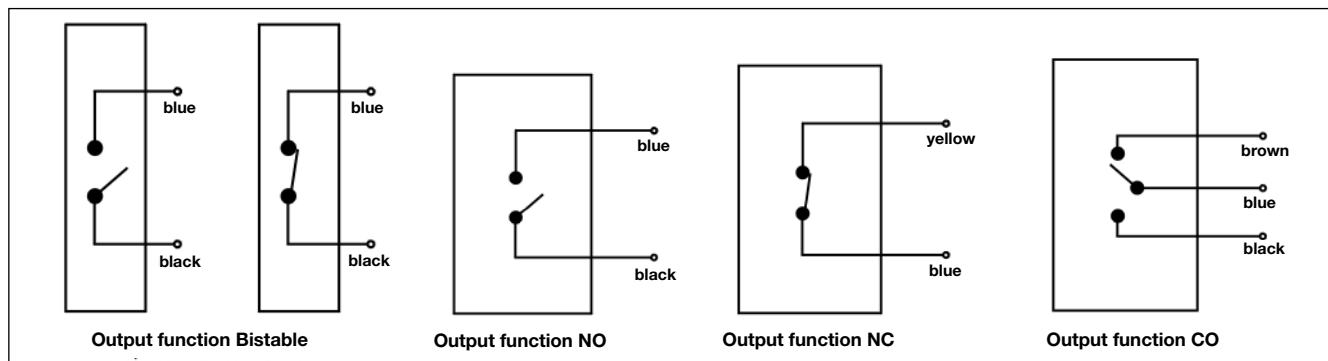
Magnetic units	CL10	CL11	CL18	CL20S1	CL20S3	CL23	CL31
FSA2, FSA8, FSS2 FSC2, FSC8	-	9	-	8	7	7	12
FSA2S32MT, FSS2S12MT, FSA2S42MT, FSS2S42MT	-	12/0.5*	-	7	6	3	12/0.5*
FSB22MT	11	9	-	8	7	7	12
		30	11	29	27	20	32

Distances are specified in millimeters (mm)

xx/xx: operating distance (for all Output functions); xx/xx\*: reswitching contact distance.

Outside the above mentioned range, the sensor maintains the initial state

## Wiring Diagrams



## Dimensions

