

High Power Resistive Products

Flange Mount Terminations

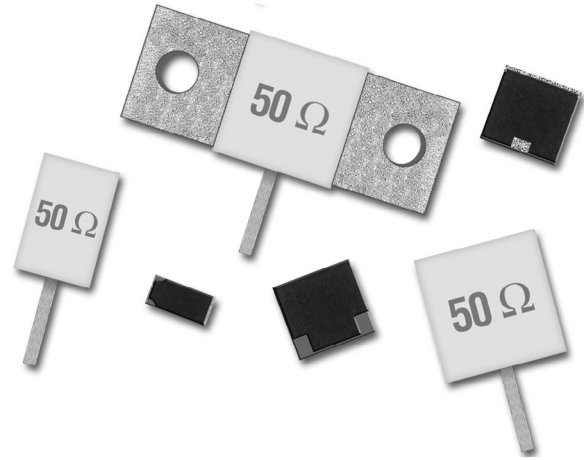
KYOCERA AVX introduces its complete line of High Power Termination Products. All Products are designed and manufactured at our ISO 9001 Facilities.

ELECTRICAL SPECIFICATIONS

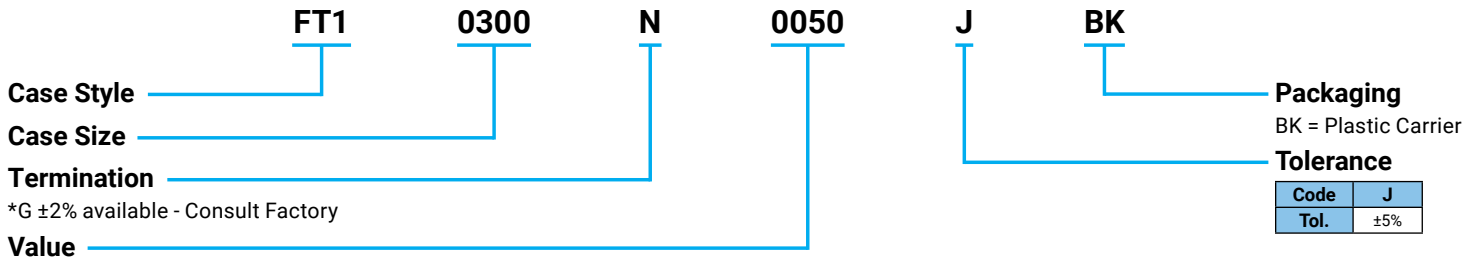
- **Resistance:** 50 Ω standard (10 Ω - 200 Ω available)
- **Resistance Tolerance:** $\pm 5\%$ standard ($\pm 2\%$ available)
- **Power:** 10 Watts through 250 Watts
- **Operating Temperature Range:** -55°C to $+150^{\circ}\text{C}$
- **Temperature Coefficient:** < 150 ppm/ $^{\circ}\text{C}$
- **Low VSWR**

MECHANICAL SPECIFICATIONS

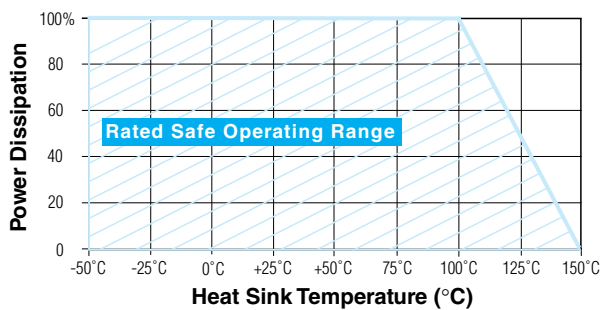
- **Package:** Surface Mount Chips, Chips, Leaded Chips, Flange Mount
- **Substrate Material:** Aluminum Nitride
- **Process:** Thin Film
- **Resistive Material:** Tantalum
- **Terminals:** Silver
- **Cover:** Alumina
- **Mounting Flange:** 100% Cu, Ni or Ag Plated
- **Mechanical Tolerance:** ± 0.13 (0.005)
- **Lead-Free, RoHS Compliant**
- **SMT and Chip products, supplied on Tape and Reel**



HOW TO ORDER



POWER DERATING



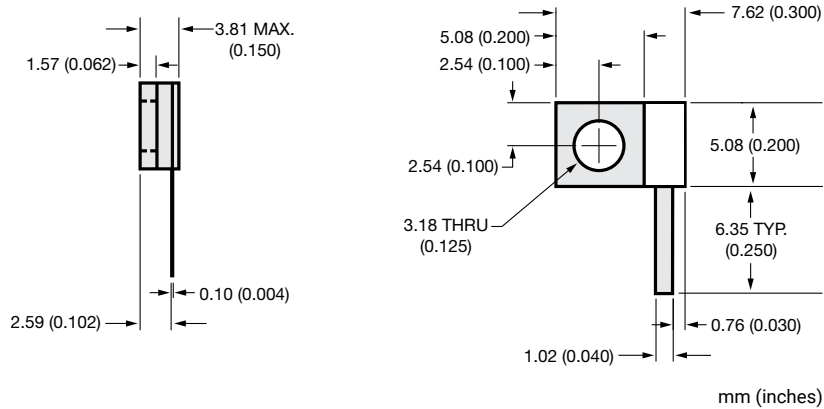
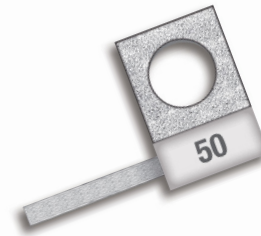
High Power Resistive Products

Flange Mount Terminations

P/N: FT10300N0050J

ELECTRICAL SPECIFICATIONS

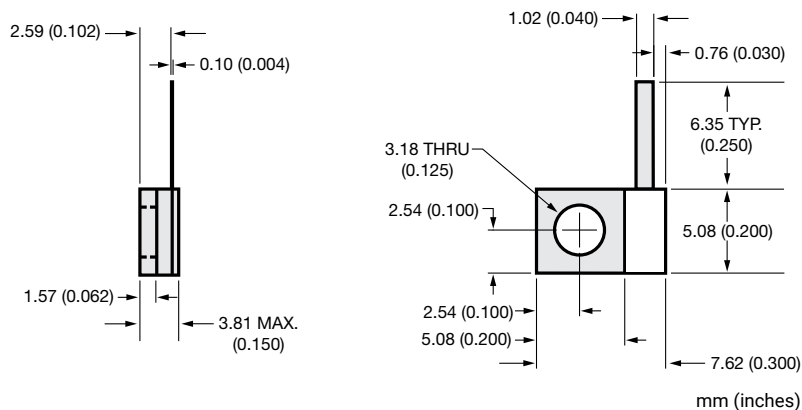
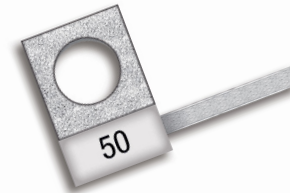
- **Nominal Impedance:** 50 Ω ±5% standard (other Ω values available)
- **Power:** 20 Watts
- **Frequency:** DC to 6 GHz
- **VSWR:** 1.15:1 @ 4 GHz, 1.25:1 @ 6 GHz,
- **Operating Temperature Range:** -55°C to +150°C
- **Temperature Coefficient:** <150 ppm/°C
- **Tabs:** Silver
- **Lead-Free, RoHS Compliant**



P/N: FT10301N0050J

ELECTRICAL SPECIFICATIONS

- **Nominal Impedance:** 50 Ω ±5% standard (other Ω values available)
- **Power:** 20 Watts
- **Frequency:** DC to 6 GHz
- **VSWR:** 1.15:1 @ 4 GHz, 1.25:1 @ 6 GHz,
- **Operating Temperature Range:** -55°C to +150°C
- **Temperature Coefficient:** <150 ppm/°C
- **Tabs:** Silver
- **Lead-Free, RoHS Compliant**



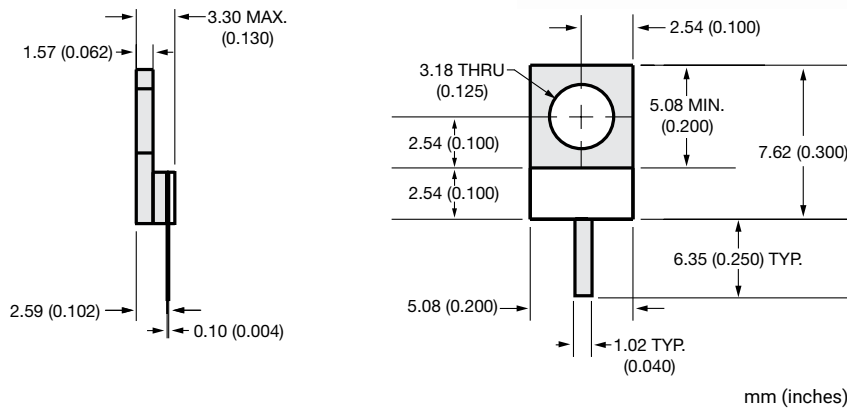
High Power Resistive Products

Flange Mount Terminations

P/N: FT10302N0050J

ELECTRICAL SPECIFICATIONS

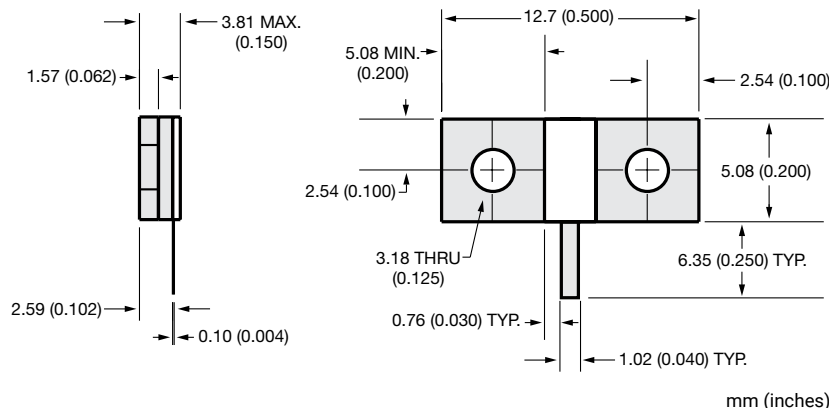
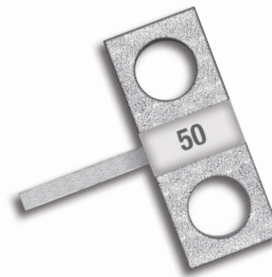
- **Nominal Impedance:** 50 Ω \pm 5% standard (other Ω values available)
- **Power:** 20 Watts
- **Frequency:** DC to 18 GHz
- **VSWR:** 1.15:1 @ 15 GHz, 1.25:1 @ 18 GHz
- **Operating Temperature Range:** -55°C to +150°C
- **Temperature Coefficient:** <150 ppm/°C
- **Tabs:** Silver
- **Lead-Free, RoHS Compliant**



P/N: FT10500N0050J

ELECTRICAL SPECIFICATIONS

- **Nominal Impedance:** 50 Ω \pm 5% standard (other Ω values available)
- **Power:** 25 Watts
- **Frequency:** DC to 6.0 GHz
- **VSWR:** 1.15:1 @ 4 GHz, 1.25:1 @ 6 GHz
- **Operating Temperature Range:** -55°C to +150°C
- **Temperature Coefficient:** <150 ppm/°C
- **Tabs:** Silver
- **Lead-Free, RoHS Compliant**



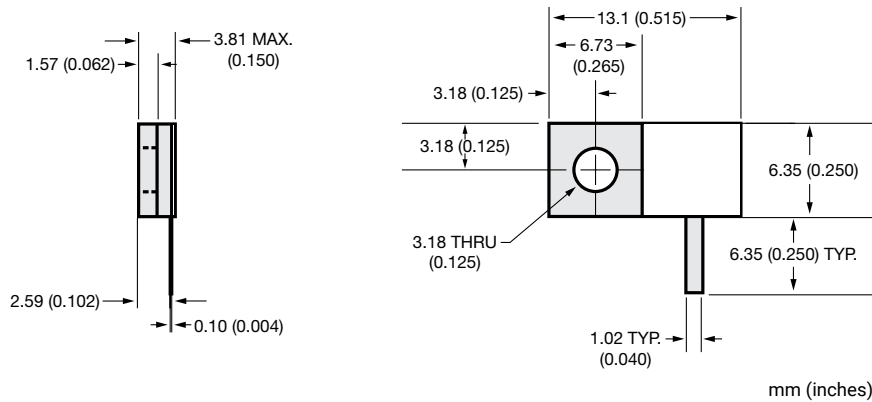
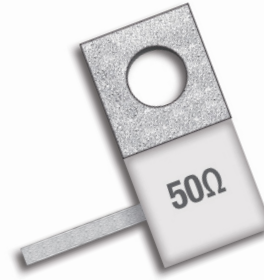
High Power Resistive Products

Flange Mount Terminations

P/N: FT10515N0050J

ELECTRICAL SPECIFICATIONS

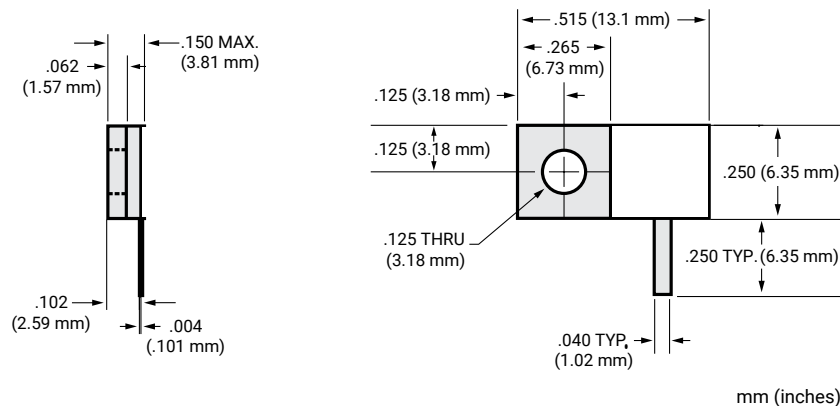
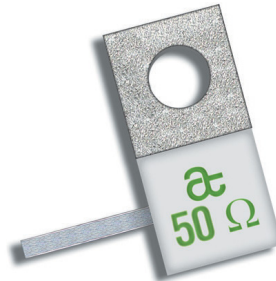
- **Nominal Impedance:** 50 Ω ±5% standard (other Ω values available)
- **Power:** 60 Watts
- **Frequency:** DC to 6.0 GHz
- **VSWR:** 1.20:1 @ 4 GHz, 1.30:1 @ 6 GHz
- **Operating Temperature Range:** -55°C to +150°C
- **Temperature Coefficient:** <150 ppm/°C
- **Tabs:** Silver
- **Lead-Free, RoHS Compliant**



P/N: FT10515N0050J01

ELECTRICAL SPECIFICATIONS

- **Nominal Impedance:** 50 Ω ±5% standard (other Ω values available)
- **Power:** 100 Watts
- **Frequency:** DC to 2.5 GHz
- **VSWR:** 1.15:1
- **Operating Temperature Range:** -55°C to +150°C
- **Temperature Coefficient:** <150 ppm/°C
- **Tabs:** Silver
- **Lead-Free, RoHS Compliant**



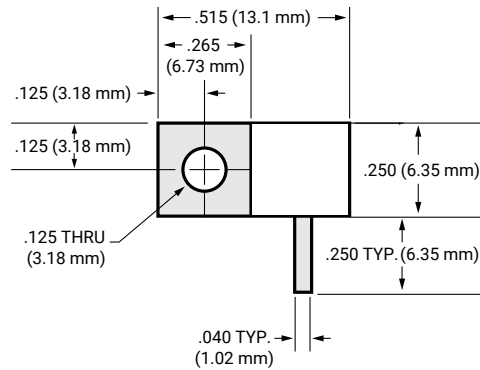
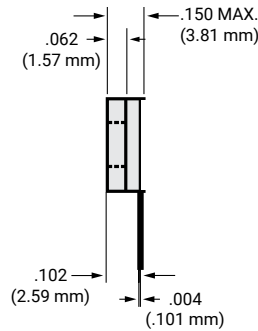
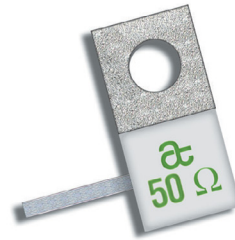
High Power Resistive Products

Flange Mount Terminations

P/N: FT10515N0050J02

ELECTRICAL SPECIFICATIONS

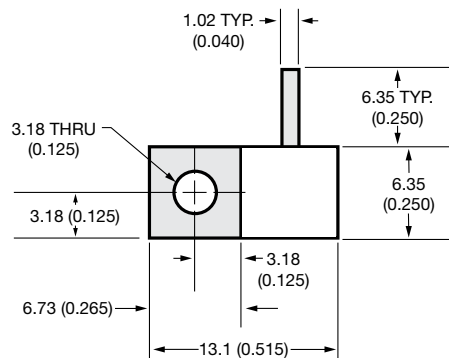
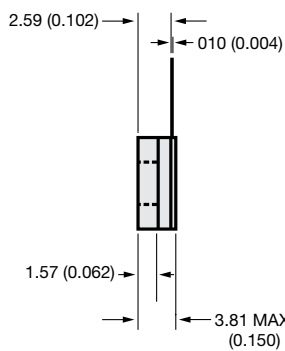
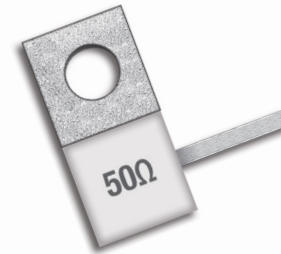
- **Nominal Impedance:** 50 Ω ±5% standard (other Ω values available)
- **Power:** 100 Watts
- **Frequency:** DC to 4 GHz
- **VSWR:** 1.20:1
- **Operating Temperature Range:** -55°C to +150°C
- **Temperature Coefficient:** <150 ppm/°C
- **Tabs:** Silver
- **Lead-Free, RoHS Compliant**



P/N: FT10516N0050J

ELECTRICAL SPECIFICATIONS

- **Nominal Impedance:** 50 Ω ±5% standard (other Ω values available)
- **Power:** 60 Watts
- **Frequency:** DC to 6 GHz
- **VSWR:** 1.20:1 @ 4 GHz, 1.30:1 @ 6 GHz
- **Operating Temperature Range:** -55°C to +150°C
- **Temperature Coefficient:** <150 ppm/°C
- **Tabs:** Silver
- **Lead-Free, RoHS Compliant**



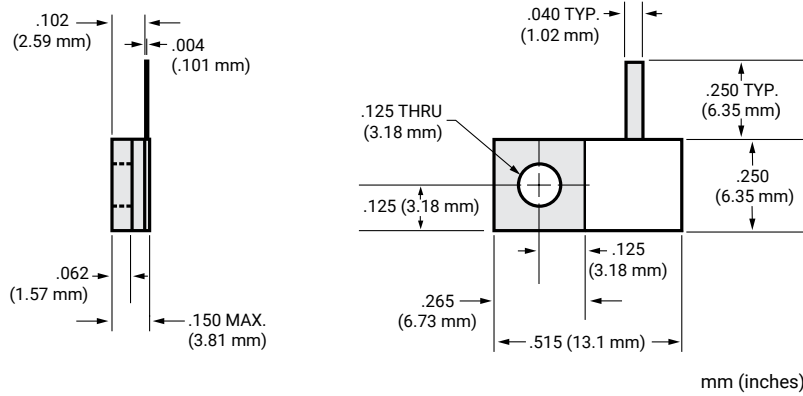
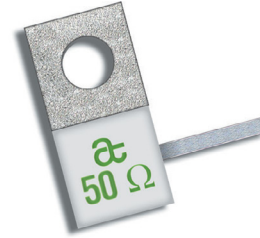
High Power Resistive Products

Flange Mount Terminations

P/N: FT10516N0050J01

ELECTRICAL SPECIFICATIONS

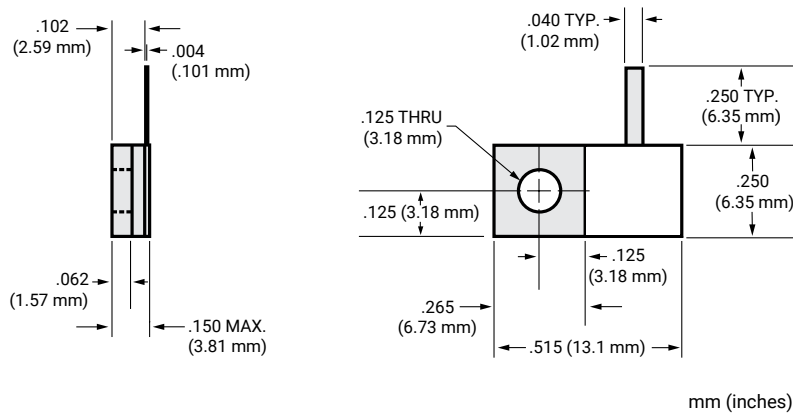
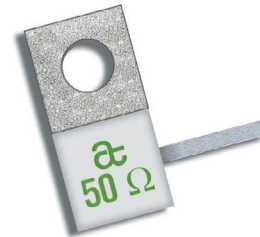
- **Nominal Impedance:** 50 Ω \pm 5% standard (other Ω values available)
- **Power:** 100 Watts
- **Frequency:** DC to 2.5 GHz
- **VSWR:** 1.15:1
- **Operating Temperature Range:** -55°C to +150°C
- **Temperature Coefficient:** <150 ppm/°C
- **Tabs:** Silver
- **Lead-Free, RoHS Compliant**



P/N: FT10516N0050J02

ELECTRICAL SPECIFICATIONS

- **Nominal Impedance:** 50 Ω \pm 5% standard (other Ω values available)
- **Power:** 100 Watts
- **Frequency:** DC to 4 GHz
- **VSWR:** 1.20:1
- **Operating Temperature Range:** -55°C to +150°C
- **Temperature Coefficient:** <150 ppm/°C
- **Tabs:** Silver
- **Lead-Free, RoHS Compliant**



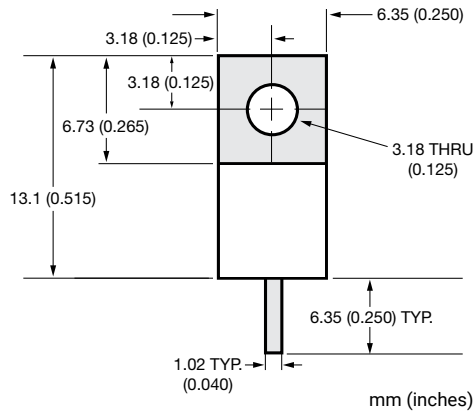
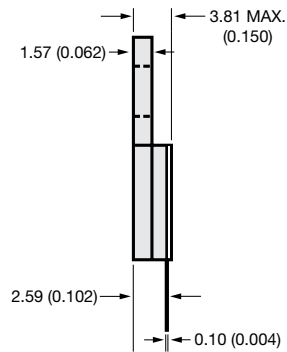
High Power Resistive Products

Flange Mount Terminations

P/N: FT10517N0050J

ELECTRICAL SPECIFICATIONS

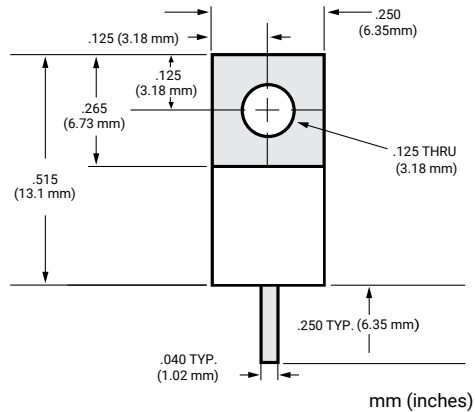
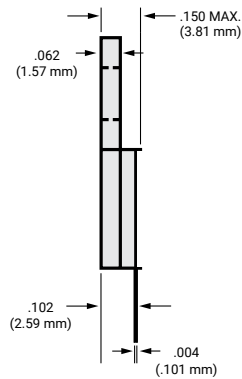
- **Nominal Impedance:** 50 Ω ±5% standard (other Ω values available)
- **Power:** 60 Watts
- **Frequency:** DC to 4 GHz
- **VSWR:** 1.20:1 @ 4 GHz, 1.30:1 @ 6 GHz
- **Operating Temperature Range:** -55°C to +150°C
- **Temperature Coefficient:** <150 ppm/°C
- **Tabs:** Silver
- **Lead-Free, RoHS Compliant**



P/N: FT10517N0050J01

ELECTRICAL SPECIFICATIONS

- **Nominal Impedance:** 50 Ω ±5% standard (other Ω values available)
- **Power:** 100 Watts
- **Frequency:** DC to 2.5 GHz
- **VSWR:** 1.15:1
- **Operating Temperature Range:** -55°C to +150°C
- **Temperature Coefficient:** <150 ppm/°C
- **Tabs:** Silver
- **Lead-Free, RoHS Compliant**



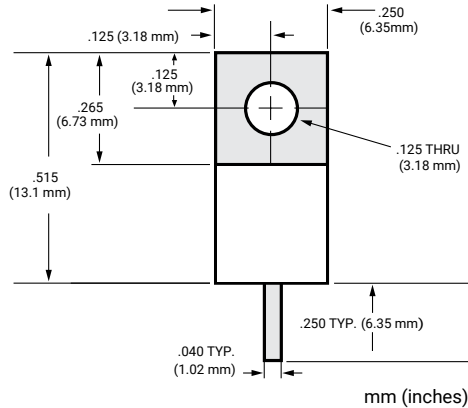
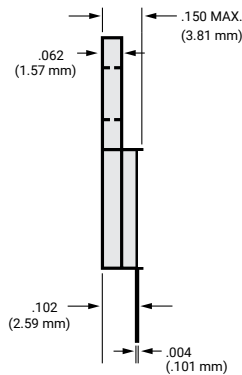
High Power Resistive Products

Flange Mount Terminations

P/N: FT10517N0050J02

ELECTRICAL SPECIFICATIONS

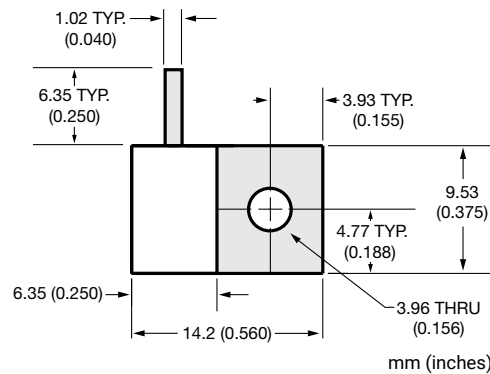
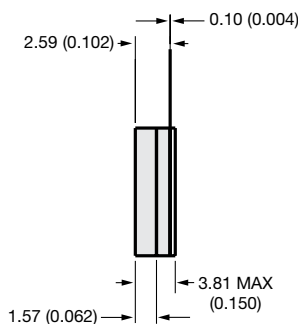
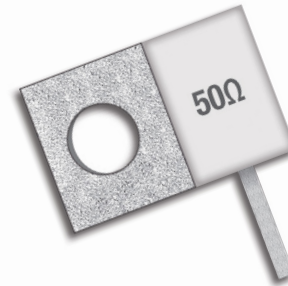
- **Nominal Impedance:** 50 Ω ±5% standard (other Ω values available)
- **Power:** 100 Watts
- **Frequency:** DC to 4 GHz
- **VSWR:** 1.20:1
- **Operating Temperature Range:** -55°C to +150°C
- **Temperature Coefficient:** <150 ppm/°C
- **Tabs:** Silver
- **Lead-Free, RoHS Compliant**



P/N: FT10560N0050J

ELECTRICAL SPECIFICATIONS

- **Nominal Impedance:** 50 Ω ±5% standard (other Ω values available)
- **Power:** 75 Watts
- **Frequency:** DC to 4 GHz
- **VSWR:** 1.25:1
- **Operating Temperature Range:** -55°C to +150°C
- **Temperature Coefficient:** <150 ppm/°C
- **Tabs:** Silver
- **Lead-Free, RoHS Compliant**



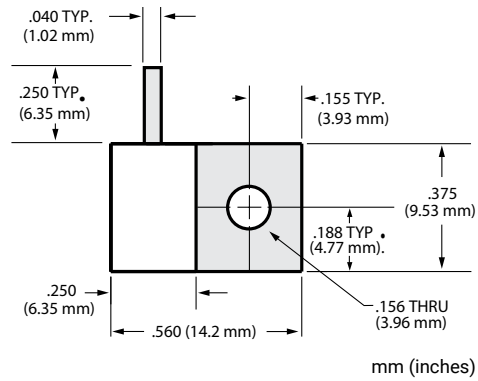
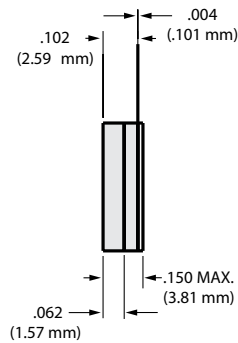
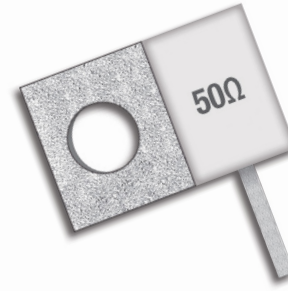
High Power Resistive Products

Flange Mount Terminations

P/N: FT10560N0050J01

ELECTRICAL SPECIFICATIONS

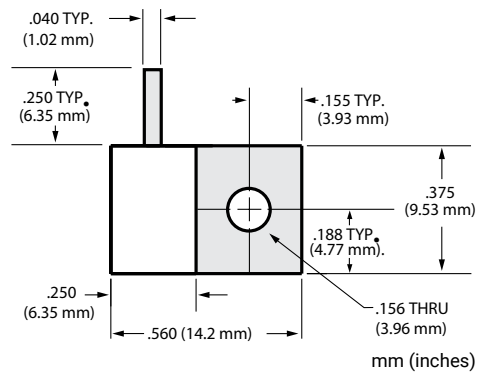
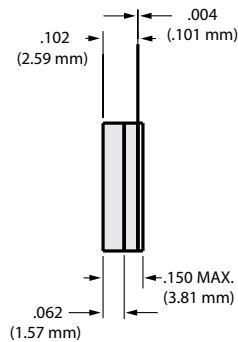
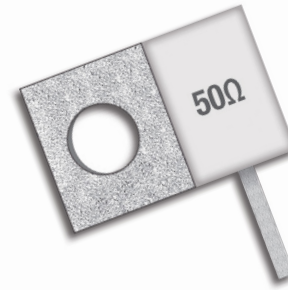
- **Nominal Impedance:** 50 Ω \pm 5% standard (other Ω values available)
- **Power:** 100 Watts
- **Frequency:** DC to 1.1 GHz
- **VSWR:** 1.15:1
- **Operating Temperature Range:** -55°C to +150°C
- **Temperature Coefficient:** <150 ppm/°C
- **Tabs:** Silver
- **Lead-Free, RoHS Compliant**



P/N: FT10560N0050J02

ELECTRICAL SPECIFICATIONS

- **Nominal Impedance:** 50 Ω \pm 5% standard (other Ω values available)
- **Power:** 100 Watts
- **Frequency:** DC to 2 GHz
- **VSWR:** 1.20:1
- **Operating Temperature Range:** -55°C to +150°C
- **Temperature Coefficient:** <150 ppm/°C
- **Tabs:** Silver
- **Lead-Free, RoHS Compliant**



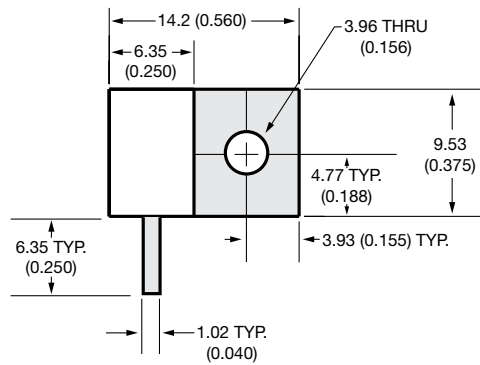
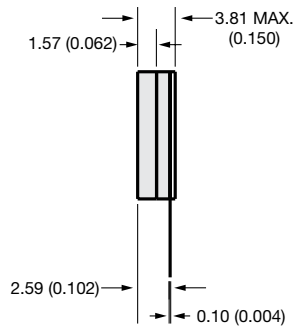
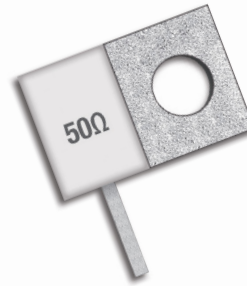
High Power Resistive Products

Flange Mount Terminations

P/N: FT10561N0050J

ELECTRICAL SPECIFICATIONS

- **Nominal Impedance:** 50 Ω ±5% standard (other Ω values available)
- **Power:** 75 Watts
- **Frequency:** DC to 4.0 GHz
- **VSWR:** 1.25:1
- **Operating Temperature Range:** -55°C to +150°C
- **Temperature Coefficient:** <150 ppm/°C
- **Tabs:** Silver
- **Lead-Free, RoHS Compliant**

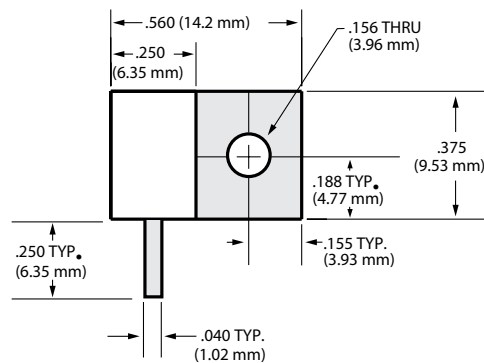
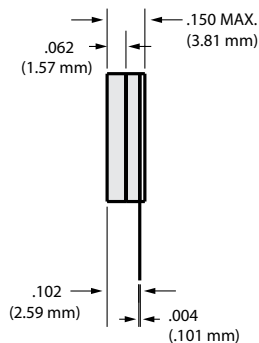
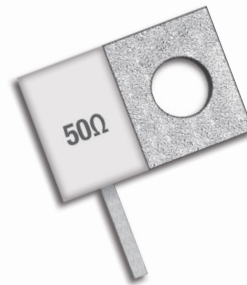


mm (inches)

P/N: FT10561N0050J01

ELECTRICAL SPECIFICATIONS

- **Nominal Impedance:** 50 Ω ±5% standard (other Ω values available)
- **Power:** 100 Watts
- **Frequency:** DC to 1.1 GHz
- **VSWR:** 1.15:1
- **Operating Temperature Range:** -55°C to +150°C
- **Temperature Coefficient:** <150 ppm/°C
- **Tabs:** Silver
- **Lead-Free, RoHS Compliant**



mm (inches)

For Part Number Code, see page 14.

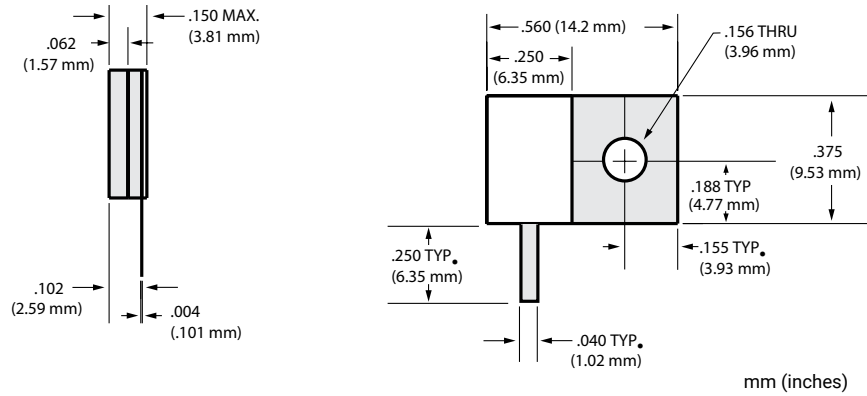
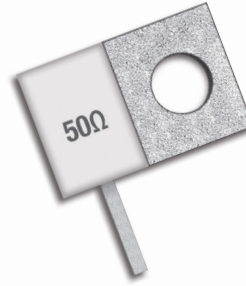
High Power Resistive Products

Flange Mount Terminations

P/N: FT10561N0050J02

ELECTRICAL SPECIFICATIONS

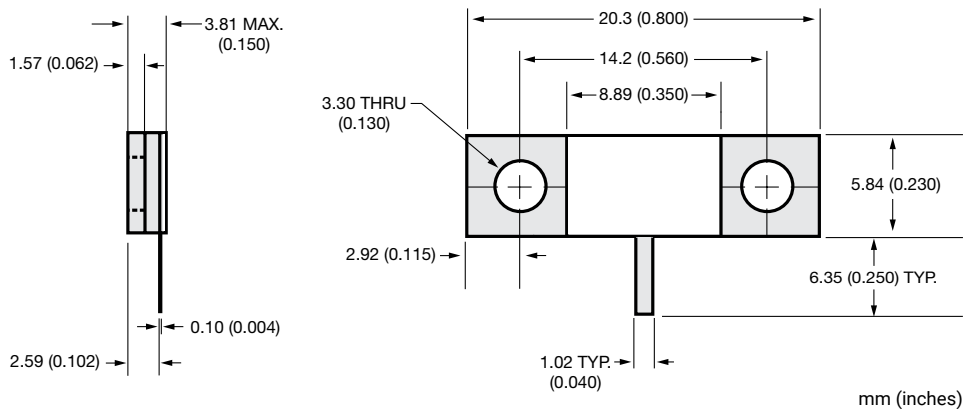
- **Nominal Impedance:** 50 Ω \pm 5% standard (other Ω values available)
- **Power:** 100 Watts
- **Frequency:** DC to 2 GHz
- **VSWR:** 1.20:1
- **Operating Temperature Range:** -55°C to +150°C
- **Temperature Coefficient:** <150 ppm/°C
- **Tabs:** Silver
- **Lead-Free, RoHS Compliant**



P/N: FT10800N0050J

ELECTRICAL SPECIFICATIONS

- **Nominal Impedance:** 50 Ω \pm 5% standard (other Ω values available)
- **Power:** 50 Watts
- **Frequency:** DC to 6 GHz
- **VSWR:** 1.10:1 @ 4.5 GHz, 1.18:1 @ 6.0GHz
- **Operating Temperature Range:** -55°C to +150°C
- **Tabs:** Silver
- **Lead-Free, RoHS Compliant**



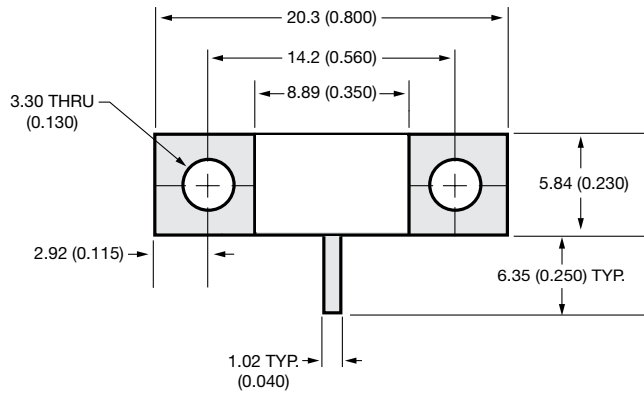
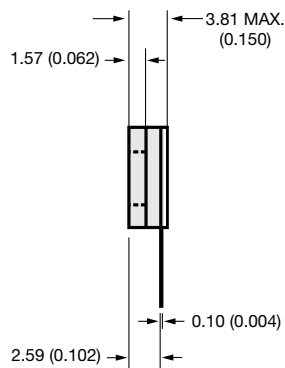
High Power Resistive Products

Flange Mount Terminations

P/N: FT10800N0050J02

ELECTRICAL SPECIFICATIONS

- **Nominal Impedance:** 50 Ω \pm 5% standard (other Ω values available)
- **Power:** 100 Watts
- **Frequency:** DC to 6 GHz
- **VSWR:** 1.10:1 @ 4.5 GHz, 1.20:1 @ 6.0GHz
- **Operating Temperature Range:** -55°C to +150°C
- **Temperature Coefficient:** <150 ppm/°C
- **Tabs:** Silver
- **Lead-Free, RoHS Compliant**

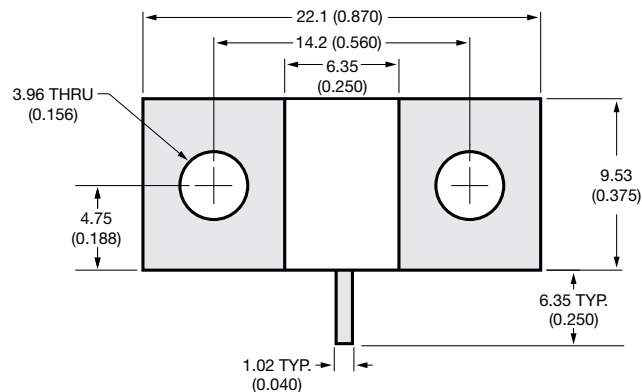
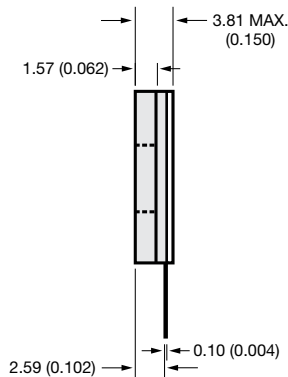
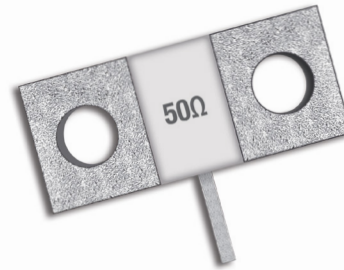


mm (inches)

P/N: FT10870N0050J

ELECTRICAL SPECIFICATIONS

- **Nominal Impedance:** 50 Ω \pm 5% standard (other Ω values available)
- **Power:** 100 Watts
- **Frequency:** DC to 4.0 GHz
- **VSWR:** 1.20:1
- **Operating Temperature Range:** -55°C to +150°C
- **Temperature Coefficient:** <150 ppm/°C
- **Tabs:** Silver
- **Lead-Free, RoHS Compliant**



mm (inches)

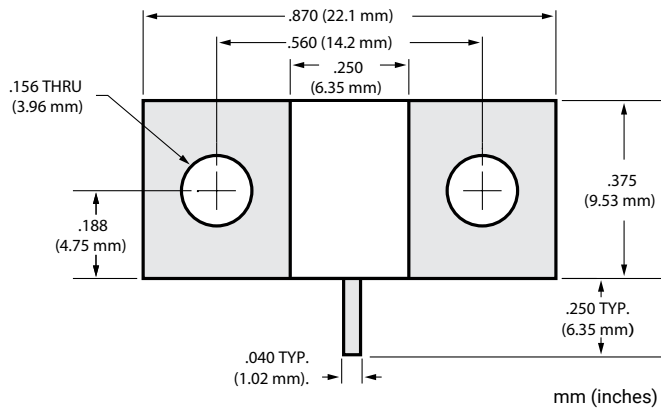
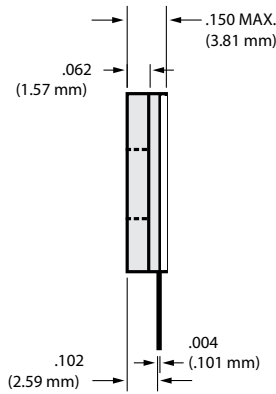
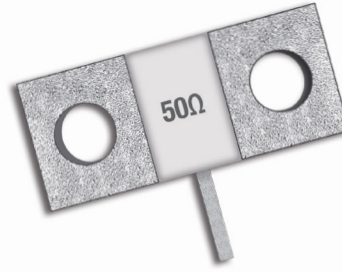
High Power Resistive Products

Flange Mount Terminations

P/N: FT10870N0050J01

ELECTRICAL SPECIFICATIONS

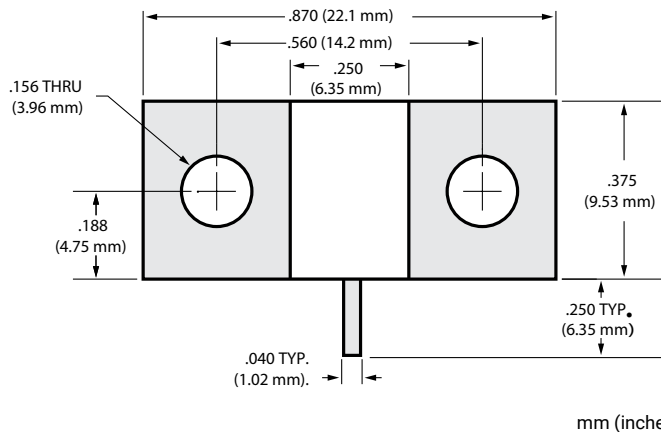
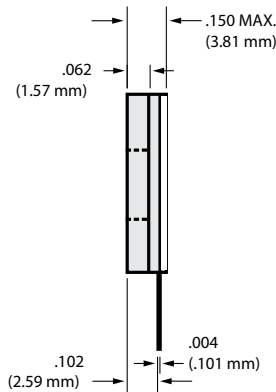
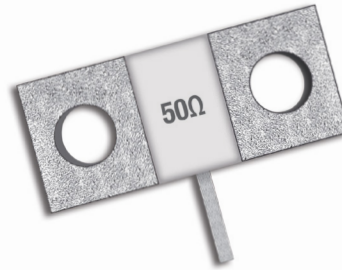
- **Nominal Impedance:** 50 Ω \pm 5% standard (other Ω values available)
- **Power:** 150 Watts
- **Frequency:** DC to 1.1 GHz
- **VSWR:** 1.15:1
- **Operating Temperature Range:** -55°C to +150°C
- **Temperature Coefficient:** <150 ppm/°C
- **Tabs:** Silver
- **Lead-Free, RoHS Compliant**



P/N: FT10870N0050J02

ELECTRICAL SPECIFICATIONS

- **Nominal Impedance:** 50 Ω \pm 5% standard (other Ω values available)
- **Power:** 150 Watts
- **Frequency:** DC to 4 GHz
- **VSWR:** 1.20:1
- **Operating Temperature Range:** -55°C to +150°C
- **Temperature Coefficient:** <150 ppm/°C
- **Tabs:** Silver
- **Lead-Free, RoHS Compliant**



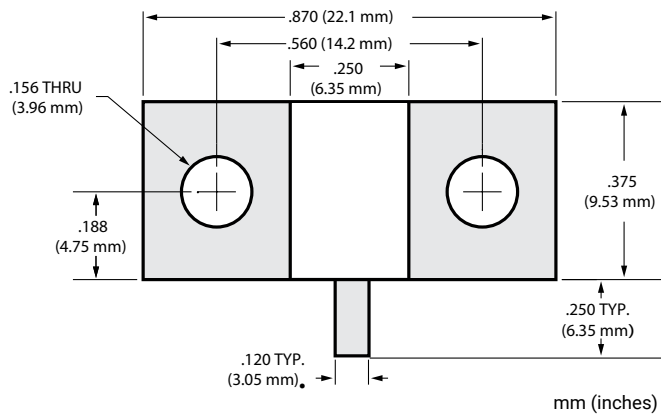
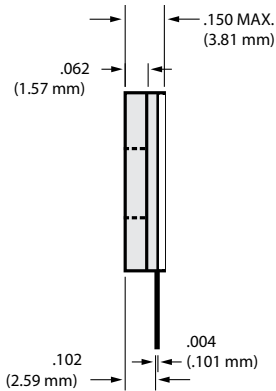
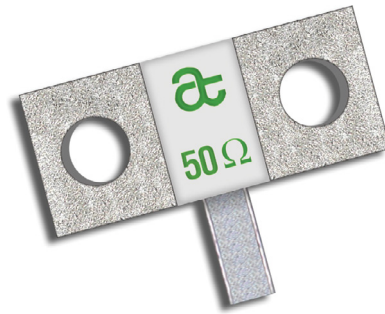
High Power Resistive Products

Flange Mount Terminations

P/N: FT10870N0050J03

ELECTRICAL SPECIFICATIONS

- **Nominal Impedance:** 50 Ω ±5% standard (other Ω values available)
- **Power:** 150 Watts
- **Frequency:** DC to 4 GHz
- **VSWR:** 1.25:1
- **Operating Temperature Range:** -55°C to +150°C
- **Temperature Coefficient:** <150 ppm/°C
- **Tabs:** Silver
- **Lead-Free, RoHS Compliant**



P/N: FT10975N0050JBK

ELECTRICAL SPECIFICATIONS

- **Nominal Impedance:** 50 Ω ±5% standard (other Ω values available)
- **Power:** 200 Watts
- **Frequency:** DC to 2.2 GHz
- **VSWR:** 1.20:1 @ 2 GHz, 1.30:1 @ 2.2 GHz
- **Operating Temperature Range:** -55°C to +150°C
- **Temperature Coefficient:** <150 ppm/°C
- **Tabs:** Silver
- **Lead-Free, RoHS Compliant**

