

SUMMARY

Wires

Triax 1



Image is for illustrative purpose only

Series 4A
Termination type Male solder
IP rating 61
AWG wire size 0.00 - 0.00
Cable Ø 0.00 - 0.00 mm
Status active

Download

[Request a quote](#)

[Catalog](#)

TECHNICAL DETAILS

Mechanics

Shell Style/Model FXF*: Fixed plug with round flange and tag, nut fixing, with earthing sleeve
Keying Circular, male
Housing Material Brass (chrome plated [SAE AMS 2460]) shell and collet nut, nickel plated [SAE AMS QQ N 290] brass latch sleeve and mid pieces
Weight 160.19 g

Performance

Configuration 4A.675 : 1 Triax (75 Ohm)
Insulator T: PTFE
Rated Current 6 Amps

Specifications

Contact Type: Triaxial 75 Ohm (Solder)
Vtest: 1200 V (AC), 1690 V (DC)
Impedance: 75 Ohm

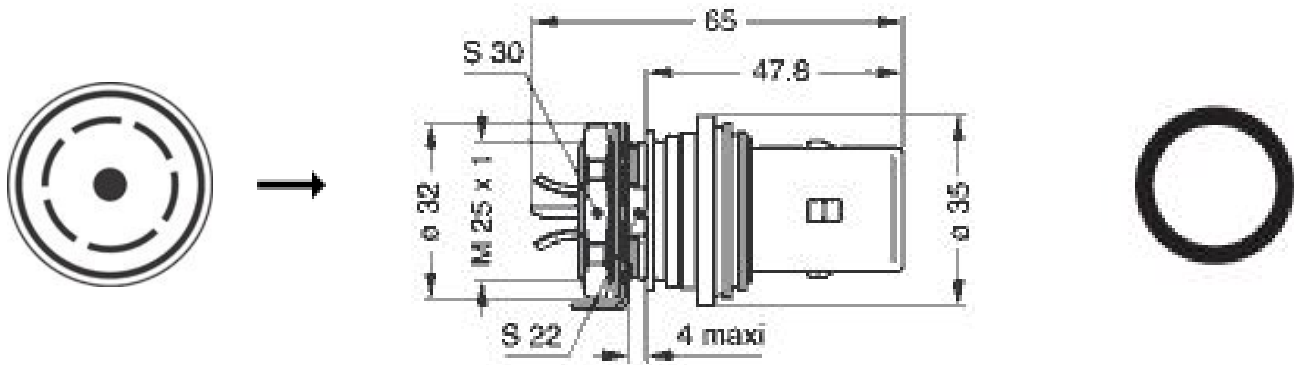
Others

Endurance (Shell): 5000 mating cycles
Humidity (max): <=95% [at 60 deg C /140 F]

LEMO products and services are provided "as is". LEMO makes no warranties or representations with regard to LEMO product & services or use of them, express, implied or statutory, including for accuracy, completeness, or security. The user is fully responsible for his products and applications using LEMO components.

Climatical Category: 55/175/21
Salt Spray Corrosion: >1000 hr

DRAWINGS



Dimensions

	A	L	M	e
mm.	35	65	47.8	M25x1.0
in.	1,38	2,56	1,88	

RECOMMENDED BY LEMO

Tools

LEMO products and services are provided "as is". LEMO makes no warranties or representations with regard to LEMO product & services or use of them, express, implied or statutory, including for accuracy, completeness, or security. The user is fully responsible for his products and applications using LEMO components.