

# FXLS9xxx

## Dual channel inertial sensor

Rev. 6 — 8 February 2021

Product data sheet

## 1 General description

---

The FXLS9xxx is a dual channel DSI3, PSI5, SPI, and I<sup>2</sup>C compatible lateral (X-axis or Y-axis) or vertical (Z-axis) inertial sensor.

## 2 Features

---

- Independent X-axis, Y-axis, or Z-axis ranges for each channel
  - Medium g ranges from  $\pm 15.5$  g to  $\pm 150$  g nominal full-scale range
  - High g ranges from  $\pm 50$  g to  $\pm 500$  g nominal full-scale range
- $-40$  °C to  $125$  °C operating temperature range
- DSI3 compatible
  - Discovery mode for physical location identification
  - High side bus switch output driver
  - Command and response mode support for device configuration
  - Periodic data collection mode support for sensor data transfers.
  - Background diagnostic mode support during periodic data collection mode
- PSI5 Version 2.1 compatible
  - Compatible modes:
    - P10P-500/3L
    - P10P-500/4H
    - A10P-228/1L
    - P10CRC-xxx/xx
    - P16CRC-xxx/xx
    - and many others
  - Programmable time slots with  $1$   $\mu$ s resolution
  - Selectable baud rate:  $125$  kBd or  $189$  kBd
  - 10- and 16-bit data options
  - Selectable error detection: even parity, or 3-bit CRC
  - Optional daisy chain with external low side switch
  - Two-wire programming mode
- 32-bit SPI compatible serial interface
  - 3.3 V or 5 V single supply operation
  - Register read and write commands
  - Sensor data transmission commands
    - 12-bit data, left justified in a 16-bit data field
    - Command echo with 3-bit source identification
    - 2-bit basic status and 2-bit detailed status fields
    - 8-bit CRC



- I<sup>2</sup>C compatible serial interface (UM10204<sup>[1]</sup>)
  - Slave mode operation
  - Standard mode, fast mode, and fast mode plus support
- Independent programmable arming functions for each channel
- DSP
  - Dual, independent signal chains from ADC to Communications Interface
  - Up to a fourth order low-pass filter with rolloff frequency options from 12.5 Hz to 1500 Hz
  - Optional single pole high pass filter with fast startup and output rate
- Limiting
  - Optional moving average
  - Optional 16 to 1 output interpolation
- Pb-free 16-Pin QFN 4 mm x 4 mm x 1.45 mm package

### 3 Applications

#### 3.1 Automotive

- Airbag, Collision/Crash detection
- Active suspension vibration monitoring

#### 3.2 Industrial

- Machine condition monitoring

### 4 Ordering information

Table 1. Ordering information

Type number	Package		
	Name	Description	Version
FXLS9xxxxAESR2	HLQFN16	Plastic, thermal enhanced low profile quad flat non-leaded package; 16 terminals; 0.8 mm pitch; 4 mm x 4 mm x 1.45 mm body	<a href="#">SOT1688-1(SC)</a>
FXLS9xxxxAEBR2		Plastic, thermal enhanced low profile quad flat non-leaded package, dimple wettable flank; 16 terminals; 0.8 mm pitch; 4 mm x 4 mm x 1.45 mm body	<a href="#">SOT1688-1(DD)</a>

#### 4.1 Ordering options

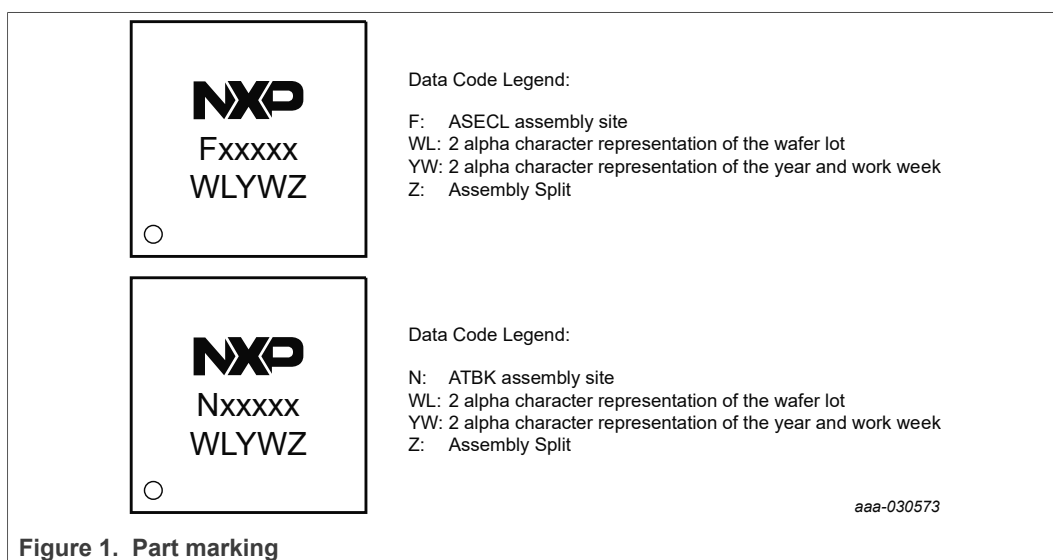
Table 2. Ordering options

Device	Channel 0		Channel 1		Protocol
	Axis	Range	Axis	Range	
FXLS90322	X	M	Y	M	SPI/DSI3
FXLS90422	X	M	Z	M	SPI/DSI3
FXLS90722	Y	M	Z	M	SPI/DSI3
FXLS90333	X	H	Y	H	SPI/DSI3
FXLS90433	X	H	Z	H	SPI/DSI3

**Table 2. Ordering options...continued**

Device	Channel 0		Channel 1		Protocol
	Axis	Range	Axis	Range	
FXLS90733	Y	H	Z	H	SPI/DSI3
FXLS93322	X	M	Y	M	PSI5
FXLS93422	X	M	Z	M	PSI5
FXLS93722	Y	M	Z	M	PSI5
FXLS93421	X	M	Z	L	PSI5
FXLS93333	X	H	Y	H	PSI5
FXLS93433	X	H	Z	H	PSI5
FXLS93733	Y	H	Z	H	PSI5

## 5 Marking



**Figure 1. Part marking**

## 6 Application diagrams

### 6.1 DSI3 application diagrams

#### 6.1.1 DSI3 discovery mode application diagram

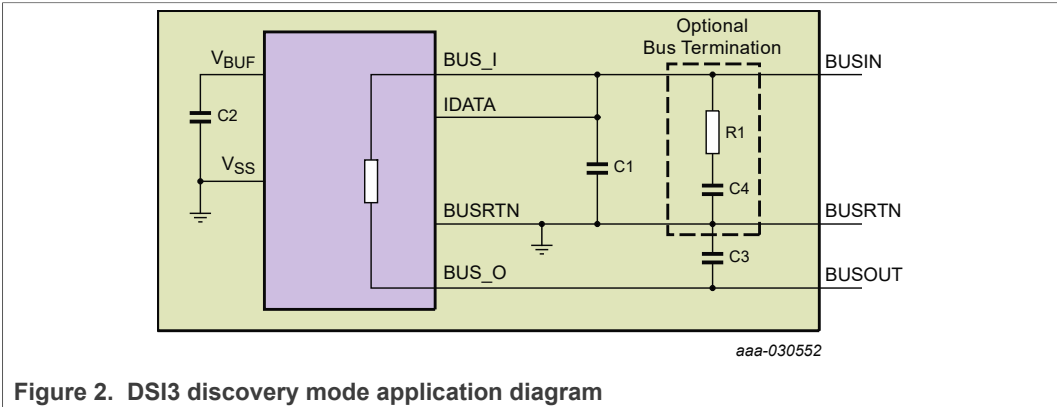


Figure 2. DSI3 discovery mode application diagram

Table 3. DSI3 discovery mode external component recommendations

Ref Des	Type	Typical value description	Component value selection and range	Comment
R1	General purpose	330 Ω, 5 %, 200 PPM	The system level communication, EMC, and ESD testing determine the optimal value of this component.	Optional bus termination for high inductance bus wire connections. For optimal EMC performance, this component along with C4 are to be placed as close to the BUS_I and BUSRTN connector pins as possible.
C1	Ceramic	220 pF, 10 %, 50 V minimum, X7R	The optimal value of this component should be determined by the system level communication, EMC, and ESD testing.	For optimal EMC performance, this component along with R1 are to be placed as close to the BUS_I and BUSRTN connector pins as possible.
C2	Ceramic	0.47 μF, 10 %, 10 V minimum, X7R	The optimal value of this component should be determined based on the system level micro-cut immunity requirement. To achieve the specified power supply rejection, the minimum value including all tolerances is 0.22 μF. The maximum specified value including all tolerances is 2 μF.	For optimal EMC performance, this component is to be placed as close to the VBUF and BUSRTN pins as possible.
C3	Ceramic	100 pF, 10 %, 50 V minimum, X7R	The optimal value of this component should be determined by the system level communication, EMC, and ESD testing.	For optimal EMC performance, this component is to be placed as close to the BUS_O and BUSRTN connector pins as possible.
C4	Ceramic	2.2 nF, 10 %, 50 V minimum, X7R	The optimal value of this component should be determined by the system level communication, EMC, and ESD testing.	Optional bus termination for high inductance bus wire connections. For optimal EMC performance, this component along with R1 are to be placed as close to the BUS_I and BUSRTN connector pins as possible.
<b>Note:</b>	The total bus capacitance must not exceed the values specified in the DSI3 <sup>[2]</sup> standard. The external components are dependent on the bus master and bus impedance and may vary from application to application.			

6.2 PSI5 application diagrams

6.2.1 PSI5 parallel or universal mode application diagram

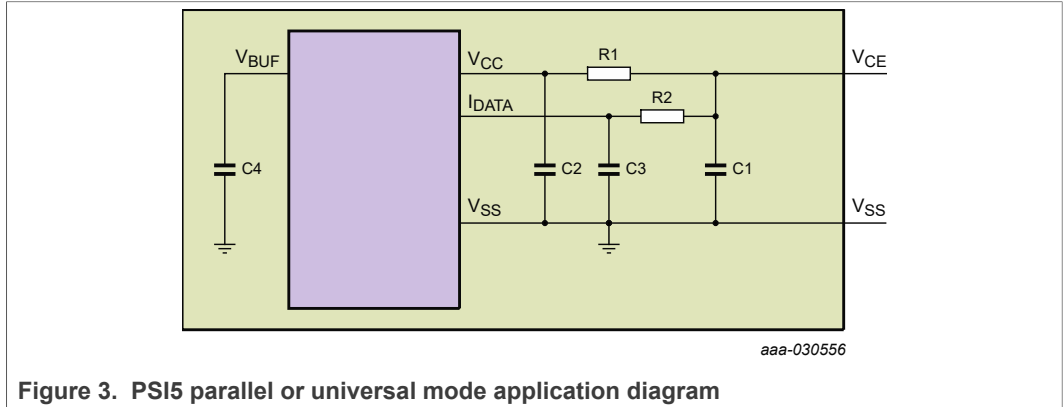


Figure 3. PSI5 parallel or universal mode application diagram

Table 4. PSI5 parallel or universal mode external component recommendations

Ref Des	Type	Description	Component value selection and range	Purpose
R1	General purpose	82 Ω, 5 %, 200 PPM	The optimal value of this component should be determined by the system level communication, EMC, and ESD testing. For proper device function, the minimum value can be 0 Ω. The maximum value is determined by the minimum bus voltage provided at the module pin and the minimum operating voltage of the device. To meet the minimum PSI5 operating voltage at the module pin, the maximum resistance including all tolerances is 89.0 Ω. <sup>[1]</sup>	V <sub>CC</sub> filtering and signal damping
R2	General purpose	27 Ω, 5 %, 200 PPM	The optimal value of this component should be determined by the system level communication, EMC, and ESD testing. For proper device function, the minimum value can be 0 Ω. The maximum value is determined by the minimum bus voltage provided at the module pin. To meet the minimum PSI5 operating voltage at the module pin, the maximum resistance including all tolerances is 66.6 Ω. If the low response current is used, the maximum resistance including all tolerances is 133 Ω.	I <sub>DATA</sub> filtering and signal damping
C1	Ceramic	2.2 nF, 10 %, 50 V minimum, X7R	The optimal value of this component should be determined by the system level communication, EMC, and ESD testing	V <sub>CC</sub> power supply decoupling and signal damping. For optimal EMC performance, this component is to be placed as close to the BUS_I and BUSRTN connector pins as possible.
C2	Ceramic	15 nF, 10 %, 50 V minimum, X7R	The optimal value of this component should be determined by the system level communication, EMC, and ESD testing <sup>[2]</sup>	V <sub>CC</sub> power supply decoupling. For optimal EMC performance, this component is to be placed as close to the BUS_I and BUSRTN pins as possible.
C3	Ceramic	470 pF, 10 %, 50 V minimum, X7R	The optimal value of this component should be determined by the system level communication, EMC, and ESD testing	I <sub>DATA</sub> Filtering and Signal Damping

Table 4. PSi5 parallel or universal mode external component recommendations...continued

Ref Des	Type	Description	Component value selection and range	Purpose
C4	Ceramic	0.47 $\mu$ F, 10 %, 10 V minimum, X7R	The optimal value of this component should be determined based on the system level micro-cut immunity requirement. To achieve the specified power supply rejection, the minimum value including all tolerances is 0.22 $\mu$ F. The maximum specified value including all tolerances is 2 $\mu$ F.	For optimal EMC performance, this component is to be placed as close to the VBUF and BUSRTN pins as possible.
<b>Note:</b>	The total bus capacitance must not exceed the values specified in the PSi5 standard.			

- [1] R1 must be sized to handle both the programming current at the maximum rated temperature for programming and the operating current at the maximum rated temperature for operation.
- [2] If the high baud rate is used, NXP recommends reducing the value of C2. The actual value depends on the bus configuration and number of slaves.

### 6.2.2 PSi5 daisy chain mode application diagram

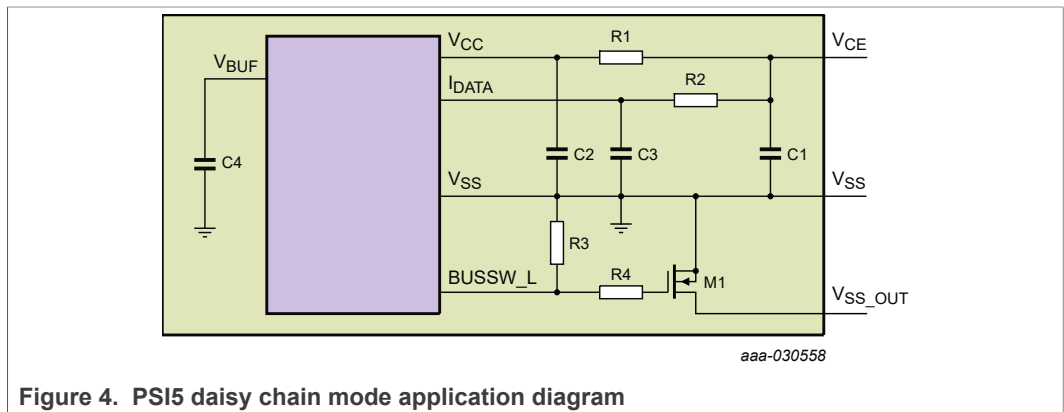


Figure 4. PSi5 daisy chain mode application diagram

Table 5. PSi5 daisy chain mode external component recommendations

Ref Des	Type	Description	Component value selection and range	Purpose
R1	General purpose	82 $\Omega$ , 5 %, 200 PPM	The optimal value of this component should be determined by the system level communication, EMC, and ESD testing. For proper device function, the minimum value can be 0 Ohms. The maximum value is determined by the minimum bus voltage provided at the module pin and the minimum operating voltage of the device. To meet the minimum PSi5 operating voltage at the module pin, the maximum resistance including all tolerances is 89.0 Ohms.	V <sub>CC</sub> filtering and signal damping
R2	General purpose	27 $\Omega$ , 5 %, 200 PPM	The optimal value of this component should be determined by the system level communication, EMC, and ESD testing. For proper device function, the minimum value can be 0 Ohms. The maximum value is determined by the minimum bus voltage provided at the module pin. To meet the minimum PSi5 operating voltage at the module pin, the maximum resistance including all tolerances is 66.6 Ohms. If the low response current is used, the maximum resistance including all tolerances is 133 Ohms.	I <sub>DATA</sub> filtering and signal damping

Table 5. PSi5 daisy chain mode external component recommendations...continued

Ref Des	Type	Description	Component value selection and range	Purpose
R3	General purpose	20 kΩ, 5 %, 200 PPM	The optimal value of this component should be determined by the system level communication, EMC, and ESD testing.	Gate resistor for external low side daisy chain FET
C1	Ceramic	2.2 nF, 10 %, 50 V minimum, X7R	The optimal value of this component should be determined by the system level communication, EMC, and ESD testing.	V <sub>CC</sub> power supply decoupling and signal damping. For optimal EMC performance, this component is to be placed as close to the BUS_I and BUSRTN connector pins as possible.
C2	Ceramic	15 nF, 10 %, 50 V minimum, X7R	The optimal value of this component should be determined by the system level communication, EMC, and ESD testing.	V <sub>CC</sub> power supply decoupling. For optimal EMC performance, this component is to be placed as close to the BUS_I and BUSRTN pins as possible.
C3	Ceramic	470 pF, 10 %, 50 V minimum, X7R	The optimal value of this component should be determined by the system level communication, EMC, and ESD testing.	I <sub>DATA</sub> Filtering and Signal Damping
C4	Ceramic	0.47 μF, 10 %, 10 V minimum, X7R	The optimal value of this component should be determined based on the system level micro-cut immunity requirement. To achieve the specified power supply rejection, the minimum value including all tolerances is 0.22 μF. The maximum specified value including all tolerances is 2 μF.	For optimal EMC performance, this component is to be placed as close to the VBUF and BUSRTN pins as possible.
R4	General purpose	100 kΩ, 5 %, 200 PPM	The optimal value of this component should be determined by the system level communication, EMC, and ESD testing.	Gate pulldown resistor for external low side daisy chain FET
M1	N-Channel MOSFET	NTR4501NT1G or similar	The optimal value of this component should be determined by the system level communication, EMC, and ESD testing.	Low side daisy chain transistor
<b>Note:</b>	<p>The total bus capacitance must not exceed the values specified in the PSi5 standard.</p> <p>R1 must be sized to handle both the programming current at the maximum rated temperature for programming and the operating current at the maximum rated temperature for operation.</p> <p>If the high baud rate is used, NXP recommends reducing the value of C2. The actual value depends on the bus configuration and number of slaves.</p>			

6.3 SPI application diagram

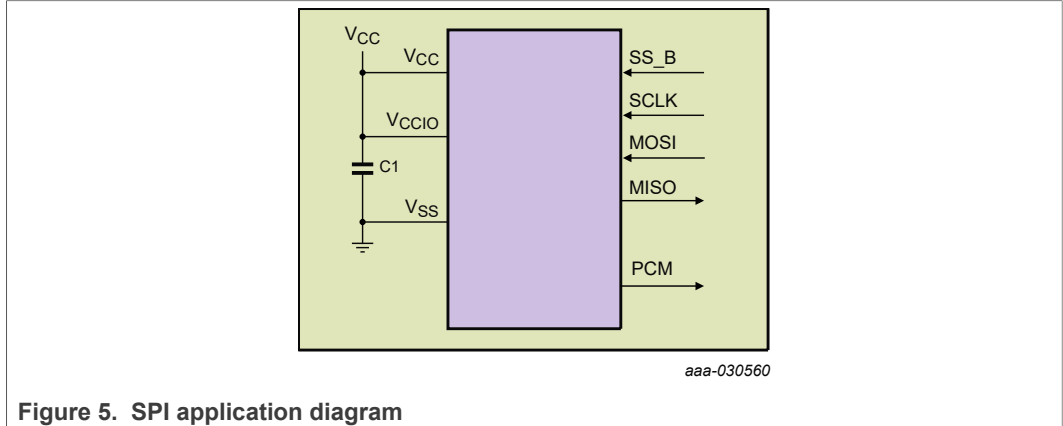


Figure 5. SPI application diagram

Table 6. SPI external component recommendations

Ref Des	Type	Typical value description	Comment
C1	Ceramic	0.1 $\mu$ F, 10 %, 10 V Minimum, X7R	V <sub>CC</sub> power supply decoupling. For optimal EMC performance, this component is to be placed as close to the V <sub>CC</sub> and V <sub>SS</sub> pins as possible.

6.4 I<sup>2</sup>C application diagram

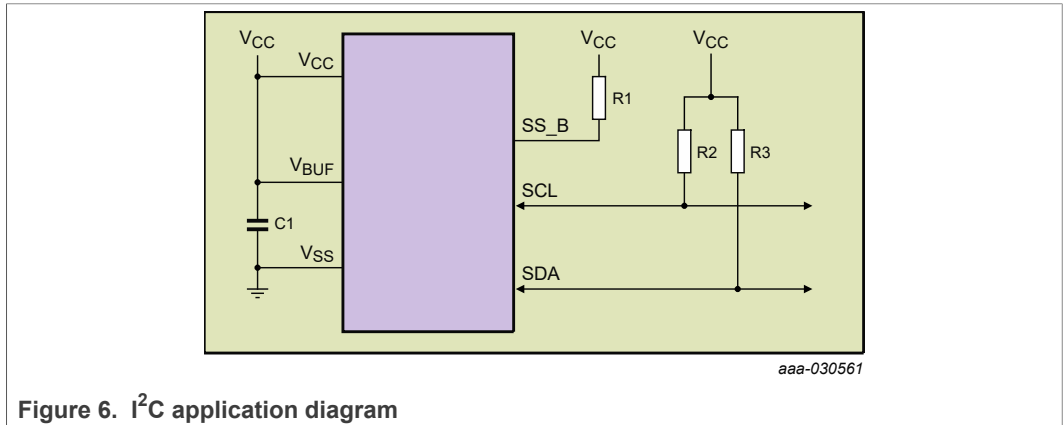


Figure 6. I<sup>2</sup>C application diagram

Table 7. I<sup>2</sup>C external component recommendations

Ref Des	Type	Description	Purpose
R1	General purpose	1000 $\Omega$ , 5 %, 200 PPM	I <sup>2</sup> C selection pin pull-up resistor
R2	General purpose	1000 $\Omega$ , 5 %, 200 PPM	Serial clock pull-up resistor
R3	General purpose	1000 $\Omega$ , 5 %, 200 PPM	Serial data pull-up resistor
C1	Ceramic	0.1 $\mu$ F, 10 %, 10 V Minimum, X7R	V <sub>CC</sub> power supply decoupling



7 Block diagram

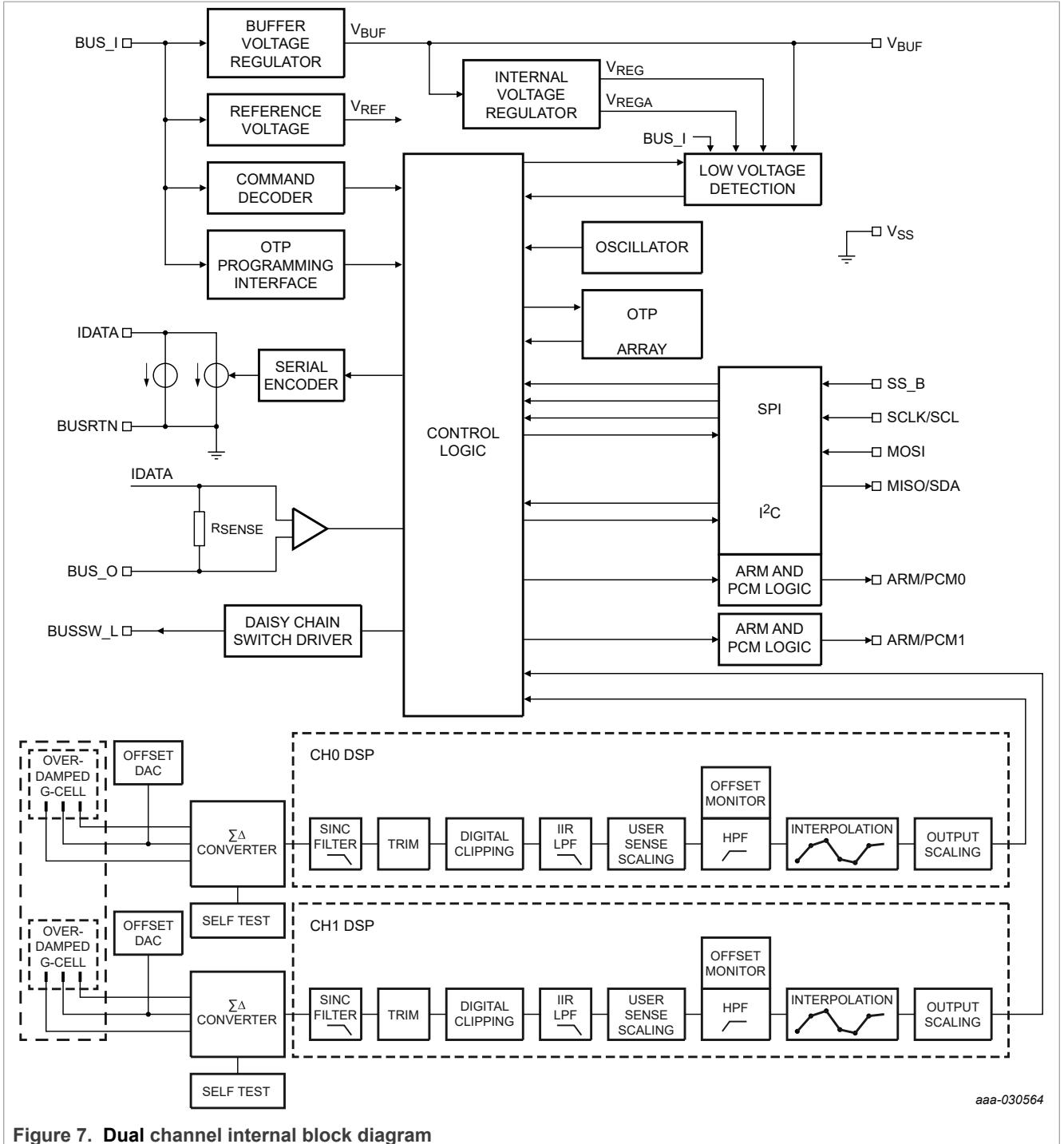


Figure 7. Dual channel internal block diagram

## 8 Device orientation diagrams

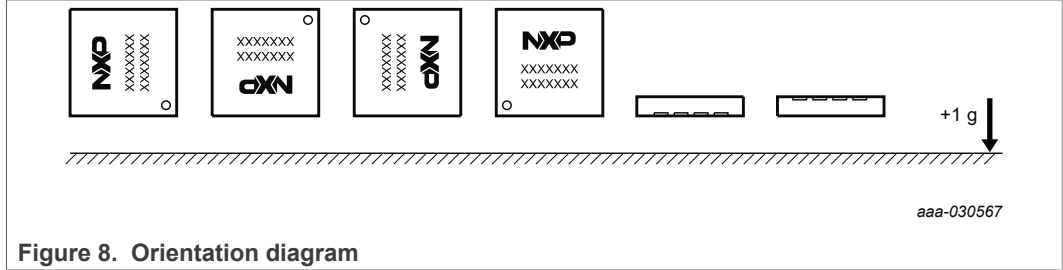


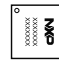





Figure 8. Orientation diagram

Table 8. Dual axis device orientation

						
XY	Ch0: 0 g	Ch0: +1 g	Ch0: 0 g	Ch0: -1 g	Ch0: 0 g	Ch0: 0 g
	Ch1: -1 g	Ch1: 0 g	Ch1: +1 g	Ch1: 0 g	Ch1: 0 g	Ch1: 0 g
XZ	Ch0: 0 g	Ch0: +1 g	Ch0: 0 g	Ch0: -1 g	Ch0: 0 g	Ch0: 0 g
	Ch1: 0 g	Ch1: 0 g	Ch1: 0 g	Ch1: 0 g	Ch1: +1 g	Ch1: -1 g
YZ	Ch0: -1 g	Ch0: 0 g	Ch0: +1 g	Ch0: 0 g	Ch0: 0 g	Ch0: 0 g
	Ch1: 0 g	Ch1: 0 g	Ch1: 0 g	Ch1: 0 g	Ch1: +1 g	Ch1: -1 g

## 9 Pinning information

### 9.1 Pinning: SPI or I<sup>2</sup>C mode

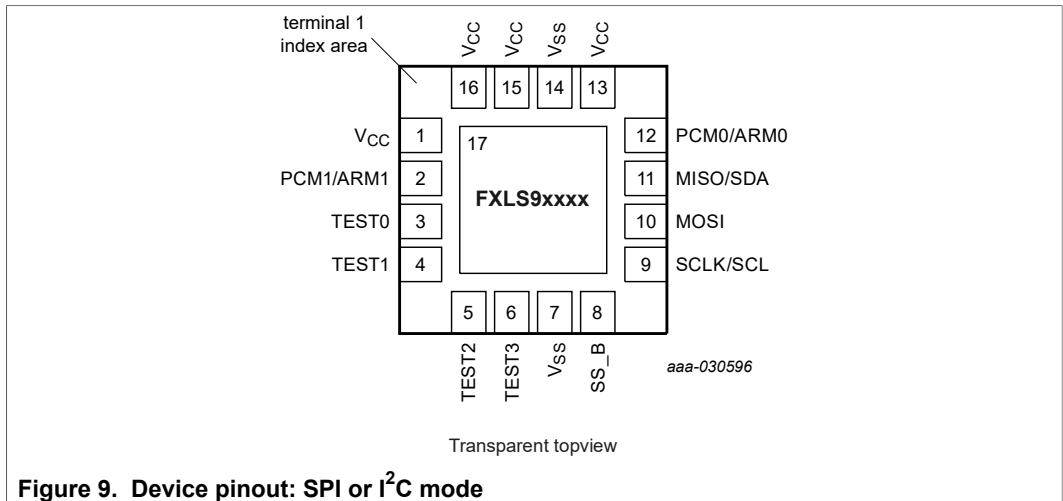


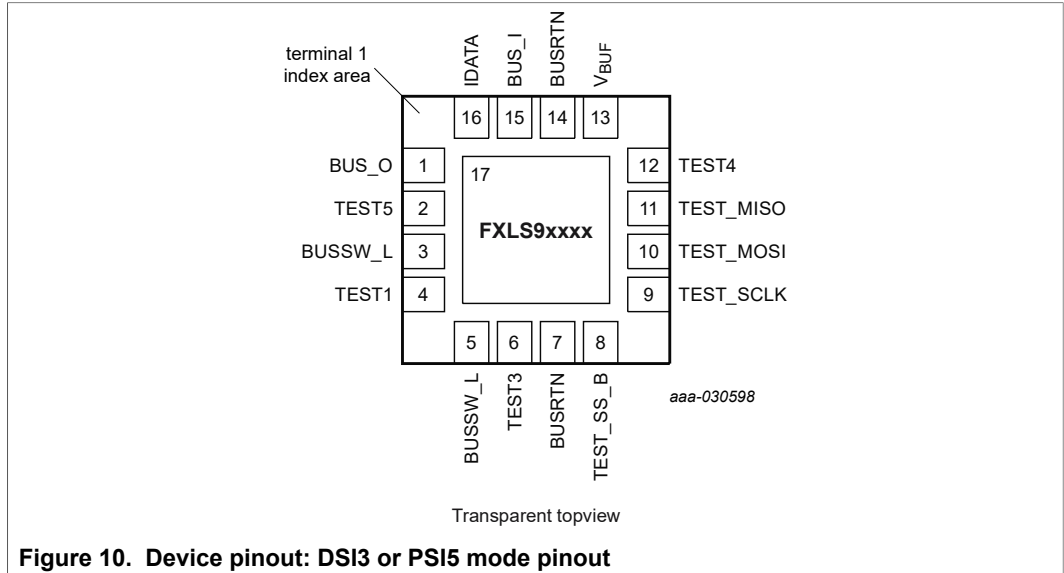
Figure 9. Device pinout: SPI or I<sup>2</sup>C mode

## 9.2 Pin description: SPI or I<sup>2</sup>C mode

Table 9. Device pinout: SPI or I<sup>2</sup>C mode

Pin	Pin Name	Definition	Description
1	V <sub>CC</sub>	Supply	NXP recommends that this pin be connected to V <sub>CC</sub> . Optionally, this pin can be unterminated.
2	PCM1 / ARM1	Channel 1 PCM Channel 1 Arm	This pin has multiplexed functions: <ul style="list-style-type: none"> <li>When the channel 1 arming output is selected, the pin can be configured as an open-drain, active low output with a pull-up current; or an open-drain, active high output with a pull-down current.</li> <li>When PCM mode is selected, this pin can be configured as a digital output with PCM signal proportional to the channel 1 sensor data.</li> </ul> If unused, or in I <sup>2</sup> C mode, NXP recommends that this pin be unterminated.
3, 4, 5, 6	TEST	Test Pin	NXP recommends that these pins be unterminated. Optionally, this pin can be tied to V <sub>SS</sub> .
7, 14	V <sub>SS</sub>	Supply Return	This pin is the supply return node.
8	SS_B	Slave select	In SPI mode, this input pin provides the slave select for the SPI port. An internal pull-up device is connected to this pin. In I <sup>2</sup> C mode, this pin must be connected to V <sub>BUF</sub> with an external pull-up resistor as shown in <a href="#">Figure 6</a> .
9	SCLK/SCL	SPI Clock	In SPI mode, this input pin provides the serial clock. An internal pull-down device is connected to this pin. In I <sup>2</sup> C mode, this input pin provides the serial clock. This pin must be connected to V <sub>BUF</sub> with an external pull-up resistor as shown in <a href="#">Figure 6</a> .
10	MOSI	SPI Data In	In SPI mode, this pin functions as the serial data input to the SPI port. An internal pull-down device is connected to this pin. In I <sup>2</sup> C mode, NXP recommends that this pin be unterminated. Optionally, this pin can be connected to V <sub>SS</sub> .
11	MISO/SDA	SPI Data Out	In SPI mode, this pin functions as the serial data output. In I <sup>2</sup> C mode, this pin functions as the serial data input/output. This pin must be connected to V <sub>BUF</sub> with an external pull-up resistor as shown in <a href="#">Figure 6</a> .
12	PCM0 / ARM0	Channel 0 PCM Channel 0 Arm	This pin has multiplexed functions: <ul style="list-style-type: none"> <li>When the channel 0 arming output is selected, the pin can be configured as an open-drain, active low output with a pull-up current; or an open-drain, active high output with a pull-down current.</li> <li>When PCM mode is selected, this pin can be configured as a digital output with PCM signal proportional to the channel 0 sensor data.</li> </ul> If unused, or in I <sup>2</sup> C mode, NXP recommends that this pin be unterminated.
13, 15, 16	V <sub>CC</sub>	Supply	This pin is connected to the supply for the device. An external capacitor must be connected between this pin and V <sub>SS</sub> as shown in <a href="#">Figure 5</a> and <a href="#">Figure 6</a> .
17	PAD	Die Attach Pad	This pin is the die attach flag, and must be connected to V <sub>SS</sub> . See <a href="#">Section 16</a> for die attach pad connection details.

**9.3 Pinning: DSI3 or PSI5 mode**



**Figure 10. Device pinout: DSI3 or PSI5 mode pinout**

**9.4 Pin description: DSI3 or PSI5 mode**

**Table 10. Device pinout: DSI3 or PSI5 mode pinout**

Pin	Pin Name	Definition	Description
1	BUS_O	Supply Out	This pin is connected to the IDATA pin through an internal sense resistor and provides the supply connection to the next slave in a daisy chain configuration. In DSI3 mode, an external capacitor must be connected between this pin and V <sub>SS</sub> as shown in <a href="#">Figure 2</a> . In PSI5 mode, NXP recommends that this pin be unterminated. Optionally, this pin can be connected to IDATA.
2, 4, 6, 12	TEST	Test Pin	NXP recommends that these pins be unterminated. Optionally, this pin can be tied to V <sub>SS</sub> .
3, 5	BUSSW_L	Low Side Bus Switch Driver	In PSI5 daisy chain mode, these pins are connected to the gate of an N-channel FET which connects BUSRTN to the next slave in the daisy chain. An external pulldown resistor is required on the gate of the N-channel FET as shown in <a href="#">Figure 4</a> . Note: both pins provide the identical function. It is necessary to connect only one pin is to the bus switch gate. If unused, or in DSI3 mode, NXP recommends that this pin be unterminated. Optionally, this pin can be tied to V <sub>SS</sub> .
7, 14	BUSRTN/V <sub>SS</sub>	Supply Return	This pin is the supply return node.
8	TEST_SS_B	Slave select	NXP recommends that this pin be unterminated. Optionally, this pin can be connected to V <sub>BUF</sub> .
9	TEST_SCLK	SPI Clock	NXP recommends that this pin be unterminated. Optionally, this pin can be connected to V <sub>SS</sub> .
10	TEST_MOSI	SPI Data In	NXP recommends that this pin be unterminated. Optionally, this pin can be connected to V <sub>SS</sub> .
11	TEST_MISO	SPI Data Out	This pin must be left unconnected.

**Table 10. Device pinout: DSI3 or PSI5 mode pinout...continued**

Pin	Pin Name	Definition	Description
13	V <sub>BUF</sub>	Power Supply	This pin is connected to a buffer regulator for the internal circuitry. The buffer regulator supplies the internal regulators to provide immunity from EMC and supply dropouts. An external capacitor must be connected between this pin and V <sub>SS</sub> as shown in <a href="#">Figure 2</a> , <a href="#">Figure 3</a> , and <a href="#">Figure 4</a> .
15	BUS_I	Supply and Communication Receiver	This pin is connected to the supply line and supplies power to the device. An external filter must be connected between this pin and BUSRTN as shown in <a href="#">Figure 2</a> , <a href="#">Figure 3</a> , and <a href="#">Figure 4</a> .
16	IDATA	Communication Transmitter	This pin modulates the response current for DSI3 and PSI5 communication. An external filter must be connected between this pin and BUSRTN as shown in <a href="#">Figure 2</a> , <a href="#">Figure 3</a> , and <a href="#">Figure 4</a> .
17	PAD	Die Attach Pad	This pin is the die attach flag, and must be connected to V <sub>SS</sub> . See <a href="#">Section 16</a> for die attach pad connection details.

## 10 Electrical characteristics

[Section 10.1](#) through [Section 10.20](#) contain tables with "Test notes". The note identifiers cross reference to the identifiers and descriptions found in [Table 11](#).

**Table 11. Test notes legend**

Identifier	Description
*	Indicates critical characteristic.
1	Parameter tested 100 % at final test. Temperature = -40 °C, 25 °C, and 105 °C, V <sub>BUS_I</sub> = 7 V, Unless otherwise stated
2	Parameter tested 100 % at final test during safe launch
3	Parameter verified by pass/fail testing at final test
4	Parameter verified by pass/fail testing at final test during safe launch
5	Parameter verified by qualification testing
6	Parameter verified by characterization
7	Functionality verified by modeling, simulation and/or design verification.
8	Circuit integrity assured through IDDQ and scan testing. Timing is determined by internal system clock frequency.
9	Parameter verified by functional evaluation
10	Thermal resistance provided with device mounted to a 2 layer, 1.6 mm FR4 PCB as documented in AN1902 with 1 signal layer and 1 ground layer.
11	Digital low-pass filter characteristics are specified independently and do not include g-cell characteristics. Higher frequency filters will have lower system cut-off frequencies due to the g-cell damping.

### 10.1 Maximum ratings

Maximum ratings are the extreme limits to which the device can be exposed without permanently damaging it.

**Table 12. Maximum ratings**

#	Rating	Symbol	Value	Unit	Test notes
<b>Supply Voltage (BUS_I/V<sub>CC</sub>, IDATA, BUS_O)</b>					
3381	Reverse Current externally limited to ≤ 160 mA, t ≤ 100 ms	BUS_I <sub>REV</sub>	-0.7	V	6
3383	Continuous	BUS_I <sub>MAX</sub>	+20.0	V	6
3384	V <sub>BUF</sub>	V <sub>BUF</sub> MAX	-0.3 to +7.0	V	6
3385	SCLK, SS_B, MOSI, MISO (High Z), PCM0/ARM0, PCM1/ARM1	VIOMAX	-0.3 to V <sub>BUF</sub> +0.3	V	6
3386	BUS_I/V <sub>CC</sub> , IDATA, and BUS_O Continuous Current	I <sub>SUP</sub> MAX	200	mA	6
3387	Powered Shock (six sides, 0.5 ms duration)	g <sub>pms</sub>	±2000	g	5
3390	Unpowered Shock (six sides, 0.5 ms duration)	g <sub>shock</sub>	±2000	g	5
3389	Powered Shock (six sides, 0.5 ms duration)	g <sub>pms</sub>	±4000	g	9
3388	Unpowered Shock (six sides, 0.5 ms duration)	g <sub>shock</sub>	±4000	g	9
3391	Drop Shock (to concrete, tile or steel surface, 10 drops, any orientation)	h <sub>DROP</sub>	1.5	m	5
<b>Electrostatic Discharge (per AEC-Q100<sup>[4]</sup>), External Pins</b>					
3392	BUS_I/V <sub>CC</sub> , IDATA, BUS_O, BUSRTN, HBM (100 pF, 1.5 kΩ)	V <sub>ESD</sub>	±4000	V	5
<b>Electrostatic Discharge (per AEC-Q100<sup>[4]</sup>)</b>					
3393	HBM (100 pF, 1.5 kΩ)	V <sub>ESD</sub>	±2000	V	5
3395	CDM (R = 0 Ω)	V <sub>ESD</sub>	±750	V	5
<b>Temperature Range</b>					
3396	Storage	T <sub>stg</sub>	-55 to +150	°C	5
3397	Junction	T <sub>J</sub>	-55 to +150	°C	7
3400	Thermal Resistance	θ <sub>JA</sub>	47	°C/W	7, 10

### 10.2 Operating range - DSI / PSI5

**Table 13. Operating range - DSI / PSI5**

#	Characteristic	Symbol	Min	Typ	Max	Units	Test notes
3398	DSI3 Supply Voltage (V <sub>HIGH</sub> ), Measured at BUS_I	V <sub>HIGH</sub>	—	—	20.0	V	5, 6, 7
10468	DSI3 Supply Voltage (V <sub>LOW</sub> ) Measured at BUS_I	V <sub>LOW</sub>	4.0	—	—	V	1
10467	PSI5 Supply Voltage (Excluding Sync Pulse)	V <sub>PSI5</sub>	4.0	—	16.5	V	1
10466	Supply Voltage (Undervoltage)	V <sub>BUS_I_UV</sub>	V <sub>BUS_I_UV_F</sub>	—	V <sub>LOW_min</sub>	V	3, 6
<b>Programming Voltage (I<sub>PP</sub> ≤ 5 mA, 10 °C ≤ T<sub>A</sub> ≤ 40 °C)</b>							
10469	Applied to BUS_I	V <sub>PP</sub>	9.0	10.0	11.0	V	3, 6
<b>ESD Operating Voltage (No Device Reset, C<sub>BUS_IN</sub> = 220 pF)</b>							
10470	Maximum ±15 kV Air Discharge, 330 pF, 2.0 kΩ	V <sub>BUS_I_ESD</sub>	V	—	10.0	V	7, 9
			BUS_I_LOW_min				

**Table 13. Operating range - DSI / PSI5...continued**

#	Characteristic	Symbol	Min	Typ	Max	Units	Test notes
<b>Operating Temperature Range</b>			$T_L$		$T_H$		
10471	Production Tested Operating Temperature Range	$T_A$	-40	—	+105	°C	1
10490	Guaranteed Operating Temperature Range	$T_A$	-40	—	+125	°C	5.6.7
10472	Supply Power On Ramp Rate	$V_{CC\_RAMP\_SAT}$	0.00001	—	10	V / $\mu$ s	6

### 10.3 Operating range - SPI / I<sup>2</sup>C

**Table 14. Operating range - SPI / I<sup>2</sup>C**

#	Characteristic	Symbol	Min	Typ	Max	Units	Test notes
10501	Supply Voltage ( $V_{CC} = V_{BUF}$ ) Measured at $V_{BUF}$	$V_{CC\_BUF}$	—	—	5.25	V	5.6.7
10502	Supply Voltage ( $V_{CC} = V_{BUF}$ ) Measured at $V_{BUF}$	$V_{CC\_BUF}$	3.135	—	—	V	1
10504	Supply Voltage (Undervoltage)	$V_{BUF\_UV\_OP}$	$V_{BUF\_UV\_F}$	—	$V_{CC\_BUF\_min}$	V	3.6
<b>Operating Temperature Range</b>			$T_L$		$T_H$		
10507	Production Tested Operating Temperature Range	$T_A$	-40	—	+105	°C	1
10508	Guaranteed Operating Temperature Range	$T_A$	-40	—	+125	°C	5.6.7
10509	Supply Power On Ramp Rate	$V_{CC\_RAMP\_SPI}$	0.00001	—	10	V/ $\mu$ s	6

### 10.4 Electrical characteristics - supply and I/O

**Table 15. Electrical characteristics - supply and I/O**

$V_{BUS\_I\_L\_min} \leq (V_{BUS\_I} - V_{SS}) \leq V_{BUS\_I\_H\_max}$ ,  $T_L \leq T_A \leq T_H$ ,  $\Delta T \leq 25$  °C/min, unless otherwise specified

#	Characteristic	Symbol	Min	Typ	Max	Units	Test notes
<b>Quiescent Supply Current</b>							
39203	$V_{BUS\_I} = 4$ V, DSI, PSI5	$I_{q\_4\_2}$	4.0	9.2	10.0	mA	1
39204	$V_{BUS\_I} = 20$ V, DSI / PSI5	$I_{q\_20\_2}$	4.0	9.2	10.0	mA	1
39205	$V_{BUS\_I} = 3.135$ V, SPI, I <sup>2</sup> C	$I_{q\_31\_2}$	—	—	10.0	mA	3.6
<b>Response Current</b>							
10515	DSI Low	$I_{R\_DSI\_1}$	$I_q + 10.5$	$I_q + 12.0$	$I_q + 13.5$	mA	1
10519	DSI High	$I_{R\_DSI\_2}$	$I_{R\_DSI\_1} + 10.5$	$I_{R\_DSI\_1} + 12.0$	$I_{R\_DSI\_1} + 13.5$	mA	1
10518	PSI5 Normal	$I_{R\_PSI5}$	$I_q + 22.0$	$I_q + 26.0$	$I_q + 30.0$	mA	1
10517	PSI5 Low	$I_{R\_PSI5\_Low}$	$I_q + 11.0$	$I_q + 13.0$	$I_q + 15.0$	mA	6
	In-Rush Current (No external Components)	$t_{INRUSH}$	—	—	40	mA	6
10522	Internally Regulated Voltage ( $V_{BUF}$ , $V_{BUS\_I} = 4$ V, $V_{BUS\_I} = 20$ V)	$V_{BUF}$	2.85	3.00	3.15	V	1
<b>Low Voltage Detection Threshold</b>							
10523	BUS_I Falling, COMMTYPE = 2, 3, 4, 5, 6, 7	$V_{BUS\_I\_UV\_F}$	3.85	3.95	4.00	V	3.6
	BUS_I Falling, COMMTYPE = 0, 1	$V_{BUS\_I\_UV\_01}$	3.31	3.50	3.67	V	6
10542	$V_{BUF}$ Falling	$V_{BUF\_UV\_F}$	2.64	2.74	2.84	V	3.6

**Table 15. Electrical characteristics - supply and I/O...continued**

$V_{BUS\_I\_L\_min} \leq (V_{BUS\_I} - V_{SS}) \leq V_{BUS\_I\_H\_max}$ ,  $T_L \leq T_A \leq T_H$ ,  $\Delta T \leq 25$  °C/min, unless otherwise specified

#	Characteristic	Symbol	Min	Typ	Max	Units	Test notes
<b>V<sub>BUF</sub> External Capacitor</b>							
10525	Capacitance	CVBUF	100	1000	2000	nF	7.9
10543	ESR (including interconnect resistance)	ESR	0	—	200	mΩ	7.9
<b>DSI3 V<sub>LOW</sub> Detection Threshold (Section 12.1.1)</b>							
$V_{LOW\_min} \leq (V_{BUS\_I} - V_{SS}) \leq V_{HIGH\_max}$							
10526	V <sub>LOW</sub> Detection Threshold	V <sub>DELTA_THRESH</sub>	V <sub>HIGH</sub> - 1.25	V <sub>HIGH</sub> - 1.0	V <sub>HIGH</sub> - 0.75	V	3.6
<b>DSI3 Discovery Mode Current Sense (Section 12.2.3)</b>							
10527	Sense Resistor	R <sub>SENSE</sub>	1.0	1.3	3.0	Ω	6
10545	I <sub>RESP</sub> Detection Threshold (I <sub>BUS_O_q</sub> ≤ 24 mA)	I <sub>RESP_Offset</sub>	6	12	18	mA	3.6
<b>PSI5 Synchronization Pulse</b>							
$V_{PSI5\_min} \leq (V_{BUS\_I} - V_{SS}) \leq BUS\_IMAX$							
10528	DC Sync Pulse Detection Threshold	ΔV <sub>SYNC</sub>	V <sub>PSI5+1.0</sub>	V <sub>PSI5+1.5</sub>	V <sub>PSI5+2.0</sub>	V	3.6
10529	PSI5 Sync Pulse Pulldown Current	I <sub>SYNC_PD</sub>	—	I <sub>R_PSI5</sub>	—	mA	7
10530	Bus Switch Output High Voltage (BUSSW_L, I <sub>Load</sub> = -100 μA)	V <sub>BUSSW_L_OH</sub>	V <sub>BUF</sub> - 0.35	—	V <sub>BUF</sub>	V	3.6
10546	Bus Switch Output Low Voltage (BUSSW_L, I <sub>Load</sub> = 100 μA)	V <sub>BUSSW_L_OL</sub>	—	—	0.1	V	3.6
10549	Open-Drain Output Pulldown Current (ARM0, ARM1, V <sub>ARM</sub> = 1.5 V)	I <sub>ODPD</sub>	10	20	100	μA	3.6
10536	Open-Drain Output Pullup Current (ARM0, ARM1, V <sub>ARM</sub> = 1.5 V)	I <sub>ODPU</sub>	-100	-20	-10	μA	3.6
<b>Output High Voltage (MISO/SDA, PCM0/ARM0, PCM1/ARM1)</b>							
21205	V <sub>BUF</sub> = V <sub>CC</sub> , I <sub>Load</sub> = -1 mA	V <sub>OH</sub>	V <sub>BUF</sub> - 0.2	—	V <sub>BUF</sub>	V	3.6
10547	V <sub>BUF</sub> internally regulated, I <sub>Load</sub> = -1 mA	V <sub>OH_SAT</sub>	V <sub>BUF</sub> - 0.2	—	V <sub>BUF</sub>	V	3.6
<b>Output Low Voltage (MISO/SDA, PCM0/ARM0, PCM1/ARM1)</b>							
10547	I <sub>Load</sub> = 2 mA	V <sub>OL</sub>	—	—	0.4	V	3.6
10537	Input High Voltage SS_B, SCLK/SCL, MOSI	V <sub>IH</sub>	2.0	—	—	V	3.7
10560	Input Low Voltage SS_B, SCLK/SCL, MOSI	V <sub>IL</sub>	—	—	1.0	V	3.7
10561	Input Voltage Hysteresis SS_B, SCLK, MOSI	V <sub>I_HYST</sub>	—	0.250	—	V	7
10562	Input Current High (at V <sub>IH</sub> ) (SCLK/SCL, MOSI)	I <sub>IH</sub>	10	20	70	μA	6
10565	Input Current Low (at V <sub>IL</sub> ) (SS_B)	I <sub>IL</sub>	-70	-20	-10	μA	6
10563	MISO Output Leakage	I <sub>MISO_Lkg</sub>	-10	—	10	μA	6

## 10.5 Electrical characteristics - temperature sensor signal chain

**Table 16. Electrical characteristics - temperature sensor signal chain**

$V_{BUS\_I\_L\_min} \leq (V_{BUS\_I} - V_{SS}) \leq V_{BUS\_I\_H\_max}$ ,  $T_L \leq T_A \leq T_H$ ,  $\Delta T \leq 25$  °C/min, unless otherwise specified

#	Characteristic	Symbol	Min	Typ	Max	Units	Test notes
10520	Temperature Measurement Range	T <sub>RANGE</sub>	-50	—	+160	°C	7.9
10559	Temperature Output at 25 °C	T <sub>25</sub>	83	93	103	LSB	6.7



**Table 16. Electrical characteristics - temperature sensor signal chain...continued**

$V_{BUS\_I\_L\_min} \leq (V_{BUS\_I} - V_{SS}) \leq V_{BUS\_I\_H\_max}$ ,  $T_L \leq T_A \leq T_H$ ,  $\Delta T \leq 25 \text{ }^\circ\text{C/min}$ , unless otherwise specified

#	Characteristic	Symbol	Min	Typ	Max	Units	Test notes
<b>Range of Output (8 bit)</b>							
10558	Unsigned Temperature	T <sub>RANGE</sub>	0	—	255	LSB	7.8.9
10557	Temperature Output Sensitivity (8 bit)	T <sub>SENSE</sub>		1.10		LSB/°C	8.7
10556	Temperature Output Accuracy (8 bit)	T <sub>ACC</sub>	-20		+20	°C	8.7
<b>Temperature Output Noise RMS (8 bit)</b>							
10555	Standard Deviation of 50 readings, f <sub>sample</sub> = 8 kHz	T <sub>RMS</sub>	—	—	+2	LSB	8.7

**10.6 Electrical characteristics - inertial sensor signal chain: High g**

**Table 17. Electrical characteristics - inertial sensor signal chain: High g**

$V_{BUS\_I\_L\_min} \leq (V_{BUS\_I} - V_{SS}) \leq V_{BUS\_I\_H\_max}$ ,  $T_L \leq T_A \leq T_H$ ,  $\Delta T \leq 25 \text{ }^\circ\text{C/min}$ , unless otherwise specified

#	Characteristic	Symbol	Min	Typ	Max	Units	Test notes
<b>Sensitivity</b>							
<b>Total Sensitivity Error Including Linearity (From Trim Target, Output @ 0 Hz)</b>							
10584	High g, lateral, or Z-Axis, verified with a 50 g Range	SENS <sub>ERRH</sub>	-5	—	+5	%	1
<b>High g Standard Trim Range 12-bit Sensitivity Target, lateral, or Z-Axis</b>							
10612	± 50 g Range (± 2047 LSB, U_SNS_SHIFT = 0x3, U_SNS_MULT = 0xDF)	SENS <sub>50H</sub>	38.9157	40.9639	43.0121	LSB/g	1
<b>Offset</b>							
<b>Digital Offset Before Offset Cancellation 12 bit, lateral, or Z-Axis</b>							
10626	High g (100 g Range, scales with user sensitivity scaling)	OFF <sub>High_1</sub>	-100	—	+100	LSB	1
10583	Digital Offset After Offset Cancellation, lateral, or Z-Axis, All Ranges, 12 bit	OFFCANC <sub>12Bit</sub>	-1	0	+1	LSB	6.8.9
	Digital Offset After Offset Cancellation with rate limiter, lateral, or Z-Axis, All Ranges, 12 bit	OFFCANCRL <sub>12Bit</sub>	-2	0	+2	LSB	7.8.9
<b>Continuous Offset Monitor Limit (U_SNS_SHIFT = 0x2, U_SNS_MULT = 0x00)</b>							
10619	12 bit: Scales with user gain, High g = ~15 g	OFF <sub>MON</sub>	-164	—	+164	LSB	7.8.9
<b>Sensor</b>							
<b>Range of Output (SPI, DSI3, lateral, or Z-Axis, All Ranges)</b>							
10635	Signed Sensor Data, 10 bit	RANGE <sub>Signed_10</sub>	-511	—	+511	LSB	7.8.9
10628	Signed Sensor Data, 12 bit	RANGE <sub>Signed_12</sub>	-2047	—	+2047	LSB	7.8.9
10636	Signed Error Code, 10 bit	ERR <sub>Signed_10</sub>	—	-512	—	LSB	7.8.9
10637	Signed Error Code, 12 bit	ERR <sub>Signed_12</sub>	—	-2048	—	LSB	7.8.9
<b>Range of Output (SPI, DSI3, lateral, or Z-Axis, All Ranges)</b>							
10638	Unsigned Sensor Data, 10 bit	RANGE <sub>Unsigned_10</sub>	1	—	1023	LSB	7.8.9
10639	Unsigned Sensor Data, 12 bit	RANGE <sub>Unsigned_12</sub>	1	—	4095	LSB	7.8.9
10640	Unsigned Error Code, 10 bit, 12 bit	ERR <sub>Unsigned</sub>	—	0	—	LSB	7.8.9
<b>Range of Output (PSI5, lateral, or Z-Axis, All Ranges)</b>							
10634	Signed Sensor Data, 10 bit	RANGE <sub>Signed_10</sub>	-480	—	+480	LSB	7.8.9
<b>Cross-Axis Sensitivity, lateral, or Z-Axis, All Ranges</b>							
10645	Z-axis to X-Axis, Y-axis to X-Axis, Z-axis to Y-Axis, X-axis to Y-Axis	V <sub>ZX</sub> , V <sub>YX</sub>	-5	—	+5	%	6
10647	X-axis to Z-Axis, Y-axis to Z-Axis	V <sub>XZ</sub> , V <sub>YZ</sub>	-5	—	+5	%	6

**Table 17. Electrical characteristics - inertial sensor signal chain: High g...continued**

$V_{BUS\_I\_L\_min} \leq (V_{BUS\_I} - V_{SS}) \leq V_{BUS\_I\_H\_max}$ ,  $T_L \leq T_A \leq T_H$ ,  $\Delta T \leq 25$  °C/min, unless otherwise specified

#	Characteristic	Symbol	Min	Typ	Max	Units	Test notes
<b>Non-Linearity (12 bit, lateral, or Z-Axis, All Ranges)</b>							
10669	Differential Non-Linearity (No Missing Codes)	DNL	—	—	+1.0	LSB	7
10670	End Point Non-Linearity (Least Squares BFSL)	INL	—	—	+20.0	LSB	6
<b>Supply Coupling (C<sub>BUF</sub> = 1 µf, 12 bit, DSI3, PSI5, lateral, or Z-Axis, All Ranges)</b>							
10663	1 kHz ≤ f <sub>n</sub> ≤ 10 kHz, BUS_I = 8.0 V ± 2.0 V (Represents PSI5 Sync Pulse)	PSC <sub>PSI5</sub>	—	—	1	LSB	6
10682	10 kHz ≤ f <sub>n</sub> ≤ 100 kHz, BUS_I = 6.0 V ± 1.0 V (Represents DSI3 BRC)	PSC <sub>DSI3C</sub>	—	—	1	LSB	6
10681	100 kHz ≤ f <sub>n</sub> ≤ 1 MHz, BUS_I = 6.0 V ± 0.5 V (Represents DSI3/PSI5 Response)	PSC <sub>DSI3R</sub>	—	—	1	LSB	6
10680	1 MHz ≤ f <sub>n</sub> ≤ 20 MHz, BUS_I = 6.0 V ± 0.1 V (Represents Response Harmonics)	PSC <sub>SATH</sub>	—	—	1	LSB	6
<b>Supply Coupling (C<sub>BUF</sub> = 0.1 µf, 12 bit, SPI, lateral, or Z-Axis, All Ranges)</b>							
10675	1 kHz ≤ f <sub>n</sub> ≤ 20 MHz, V <sub>BUF</sub> = 5.0 V ± 0.1 V	PSC <sub>SPI5</sub>	—	—	2	LSB	6
10683	1 kHz ≤ f <sub>n</sub> ≤ 20 MHz, V <sub>BUF</sub> = 3.3 V ± 0.1 V	PSC <sub>SPI3</sub>	—	—	2	LSB	6
<b>Noise: Lateral Sensor</b>							
<b>System Output Noise Peak (12 bit), High g Range = 125 g, Lateral</b>							
10653	Max. Deviation from Mean, Min. 2000 values, Min. f <sub>Samp</sub> = 2 kHz, LPF = 400 Hz, 4-Pole	η <sub>PeakX_400C</sub>	-4	—	+4	LSB	6
10655	Max. Deviation from Mean, Min. 50 values, Min. f <sub>Samp</sub> = 2 kHz, LPF = 400 Hz, 4-Pole	η <sub>PeakX_400T</sub>	-4	—	+4	LSB	1
<b>System Output Noise Average (12 bit), High g Range = 125 g, Lateral</b>							
10654	Standard Deviation, Min. 2000 values, Min. f <sub>Samp</sub> = 2 kHz, LPF = 400 Hz, 4-Pole	η <sub>RMSX_400C</sub>	—	—	+1.0	LSB	6
10656	Standard Deviation, Min. 50 values, Min. f <sub>Samp</sub> = 2 kHz, LPF = 400 Hz, 4-Pole	η <sub>RMSX_400T</sub>	—	—	+1.0	LSB	1
<b>Noise: Z-Axis Sensor</b>							
<b>System Output Noise Peak (12 bit), High g Range = 125 g, Z-Axis</b>							
10659	Max. Deviation from Mean, Min. 2000 values, Min. f <sub>Samp</sub> = 2 kHz, LPF = 400 Hz, 4-Pole	η <sub>PeakZ_400C</sub>	-8	—	+8	LSB	6
10661	Max. Deviation from Mean, Min. 50 values, Min. f <sub>Samp</sub> = 2 kHz, LPF = 400 Hz, 4-Pole	η <sub>PeakZ_400T</sub>	-8	—	+8	LSB	1
<b>System Output Noise Average (12 bit), High g Range = 125 g, Z-Axis</b>							
10660	Standard Deviation, Min. 2000 values, Min. f <sub>Samp</sub> = 2 kHz, LPF = 400 Hz, 4-Pole	η <sub>RMSZ_400C</sub>	—	—	+2.0	LSB	6
10662	Standard Deviation, Min. 50 values, Min. f <sub>Samp</sub> = 2 kHz, LPF = 400 Hz, 4-Pole	η <sub>RMSZ_400T</sub>	—	—	+2.0	LSB	1

The offset before offset cancellation scales with the user gain. The higher the gain (lower range), the higher the offset. [Table 18](#) lists the adjusted offset specification limits for some SPI and DSI3 12-bit user gain settings.

**Table 18. High g adjusted offset specification limits**

User range (g)	Offset (LSB, 12 bit)
50	± 200
60	± 167
62	± 162
62.5	± 160

**Table 18. High g adjusted offset specification limits...continued**

User range (g)	Offset (LSB, 12 bit)
100	± 100
105	± 96
112.5	± 89
125	± 80
128	± 79
150	± 67
187	± 54
250	± 40
312.5	± 32
375	± 27
500	± 20

[Table 19](#) lists the offset before offset cancellation limits for some PSI5 10-bit user gain settings.

**Table 19. PSI5, High g offset cancellation limits**

User range (g)	Offset (LSB, 10 bit)
60	± 40
120	± 20
240	± 10
480	± 5

The signal noise scales with the user gain and with signal bandwidth. The higher the gain (lower range), the higher the noise, the wider the bandwidth, the higher the noise. [Table 20](#) and [Table 21](#) lists the adjusted specification limits for some user gain settings and low-pass filter selections on the lateral, and Z-axis.

**Note:** Peak values indicate the maximum deviation from the mean.

**Table 20. Lateral, High g, SPI/DSI3 12-bit noise specification**

User range (g)	LPF 400 Hz, 4p		LPF 400 Hz, 3p		LPF 180 Hz, 2p		LPF 325 Hz, 3p		LPF 1500 Hz, 4p		LPF 800 Hz, 4p	
	Peak LSB 12 bit	RMS LSB 12 bit	Peak LSB 12 bit	RMS LSB 12 bit	Peak LSB 12 bit	RMS LSB 12 bit	Peak LSB 12 bit	RMS LSB 12 bit	Peak LSB 12 bit	RMS LSB 12 bit	Peak LSB 12 bit	RMS LSB 12 bit
50	11	3	11	3	8	2	10	3	21	5	15	4
62.5	9	3	9	3	6	2	8	2	17	4	12	3
100	5	2	6	2	4	1	5	2	11	3	8	2
125	4	1	4	1	3	1	4	1	8	2	6	2
187	3	1	3	1	2	1	3	1	6	2	4	1
250	3	1	3	1	2	1	2	1	4	1	3	1
312.5	2	1	2	1	2	1	2	1	4	1	3	1

**Table 20. Lateral, High g, SPI/DSI3 12-bit noise specification...continued**

User range (g)	LPF 400 Hz, 4p		LPF 400 Hz, 3p		LPF 180 Hz, 2p		LPF 325 Hz, 3p		LPF 1500 Hz, 4p		LPF 800 Hz, 4p	
	Peak LSB 12 bit	RMS LSB 12 bit	Peak LSB 12 bit	RMS LSB 12 bit	Peak LSB 12 bit	RMS LSB 12 bit	Peak LSB 12 bit	RMS LSB 12 bit	Peak LSB 12 bit	RMS LSB 12 bit	Peak LSB 12 bit	RMS LSB 12 bit
375	2	1	2	1	1	1	2	1	3	1	2	1
500	2	1	2	1	1	1	1	1	2	1	2	1

**Table 21. Z-Axis, High g, SPI/DSI3 12-bit noise specification**

User range (g)	LPF 400 Hz, 4p		LPF 400 Hz, 3p		LPF 180 Hz, 2p		LPF 325 Hz, 3p		LPF 1500 Hz, 4p		LPF 800 Hz, 4p	
	Peak LSB 12 bit	RMS LSB 12 bit	Peak LSB 12 bit	RMS LSB 12 bit	Peak LSB 12 bit	RMS LSB 12 bit	Peak LSB 12 bit	RMS LSB 12 bit	Peak LSB 12 bit	RMS LSB 12 bit	Peak LSB 12 bit	RMS LSB 12 bit
50	21	6	22	6	15	4	20	5	41	11	30	8
62.5	17	5	18	5	12	3	16	4	33	9	24	6
100	11	3	11	3	8	2	10	3	21	6	15	4
125	8	2	9	2	6	2	8	2	16	4	12	3
187	6	2	6	2	4	1	6	2	11	3	8	2
250	5	2	5	2	3	1	4	1	9	2	6	2
312.5	4	1	3	1	3	1	3	1	7	2	5	2
375	3	1	3	1	2	1	2	1	6	2	4	1
500	3	1	3	1	2	1	2	1	5	1	3	1

[Table 22](#) and [Table 23](#) list the adjusted specification limits for some PSI5 10-bit user gain settings and low-pass filter selections on the lateral, and Z-axis.

**Table 22. Lateral, High g, PSI5 10-bit noise specification**

User range (g)	LPF 400 Hz, 4p		LPF 400 Hz, 3p		LPF 800 Hz, 4p	
	Peak LSB 10 bit	RMS LSB 10 bit	Peak LSB 10 bit	RMS LSB 10 bit	Peak LSB 10 bit	RMS LSB 10 bit
60, PSI5	3	0.6	3	0.7	4	0.9
120, PSI5	2	0.5	2	0.6	2	0.8
240 PSI5	1	0.5	2	0.6	2	0.8
480 PSI5	1	0.5	2	0.6	2	0.8

**Table 23. Z-Axis, High g, PSI5 10-bit noise specification**

User range (g)	LPF 400 Hz, 4p		LPF 400 Hz, 3p		LPF 800 Hz, 4p	
	Peak LSB 10 bit	RMS LSB 10 bit	Peak LSB 10 bit	RMS LSB 10 bit	Peak LSB 10 bit	RMS LSB 10 bit
60, PSI5	5	1.1	5	1.2	6	1.6
120, PSI5	3	0.6	3	0.7	4	0.9

**Table 23. Z-Axis, High g, PSI5 10-bit noise specification...continued**

User range (g)	LPF 400 Hz, 4p		LPF 400 Hz, 3p		LPF 800 Hz, 4p	
	Peak LSB 10 bit	RMS LSB 10 bit	Peak LSB 10 bit	RMS LSB 10 bit	Peak LSB 10 bit	RMS LSB 10 bit
240 PSI5	2	0.5	2	0.6	2	0.8
480 PSI5	1	0.5	2	0.6	2	0.8

### 10.7 Electrical characteristics - inertial sensor signal chain: Medium g

**Table 24. Electrical characteristics - inertial sensor signal chain: Medium g**

$V_{BUS\_I\_L\_min} \leq (V_{BUS\_I} - V_{SS}) \leq V_{BUS\_I\_H\_max}$ ,  $T_L \leq T_A \leq T_H$ ,  $\Delta T \leq 25$  °C/min, unless otherwise specified

#	Characteristic	Symbol	Min	Typ	Max	Units	Test notes
<b>Sensitivity</b>							
<b>Total Sensitivity Error Including Linearity (From Trim Target, Output @ 0 Hz)</b>							
10585	Medium g, lateral, or Z-Axis, Verified with a 15 g Range	SENS <sub>ERRM</sub>	-5	—	+5	%	1
<b>Medium g Standard Trim Range 12-bit Sensitivity Target, lateral, or Z-Axis</b>							
10602	± 16 g Range (±2047 LSB, U_SNS_SHIFT = 0x3, U_SNS_MULT = 0xF0)	SENS <sub>016M</sub>	121.5406	127.9375	134.3344	LSB/g	1
<b>Offset</b>							
<b>Digital Offset Before Offset Cancellation 12 bit, lateral, or Z-Axis</b>							
10627	Medium g (25 g Range, scales with user sensitivity scaling)	OFF <sub>Med_1</sub>	-100	—	+100	LSB	1
10583	Digital Offset After Offset Cancellation, lateral, or Z-Axis, All Ranges, 12 bit	OFFCANC <sub>12Bit</sub>	-1	0	+1	LSB	7.8.9
	Digital Offset After Offset Cancellation with rate limiter, lateral, or Z-Axis, All Ranges, 12 bit	OFFCANCRL <sub>12Bit</sub>	-2	0	+2	LSB	7.8.9
<b>Continuous Offset Monitor Limit (U_SNS_SHIFT = 0x2, U_SNS_MULT = 0x00)</b>							
10619	12 bit: Scales with user gain, Medium g = ~5 g	OFF <sub>MON</sub>	-164	—	+164	LSB	7.8.9
<b>Sensor</b>							
<b>Range of Output (SPI, DS13, lateral, or Z-Axis, All Ranges)</b>							
10635	Signed Sensor Data, 10 bit	RANGE <sub>Signed_10</sub>	-511	—	+511	LSB	7.8.9
10628	Signed Sensor Data, 12 bit	RANGE <sub>Signed_12</sub>	-2047	—	+2047	LSB	7.8.9
10636	Signed Error Code, 10 bit	ERR <sub>Signed_10</sub>	—	-512	—	LSB	7.8.9
10637	Signed Error Code, 12 bit	ERR <sub>Signed_12</sub>	—	-2048	—	LSB	7.8.9
<b>Range of Output (SPI, DS13, lateral, or Z-Axis, All Ranges)</b>							
10638	Unsigned Sensor Data, 10 bit	RANGE <sub>Unsigned_10</sub>	1	—	1023	LSB	7.8.9
10639	Unsigned Sensor Data, 12 bit	RANGE <sub>Unsigned_12</sub>	1	—	4095	LSB	7.8.9
10640	Unsigned Error Code, 10 bit, 12 bit	ERR <sub>Unsigned</sub>	—	0	—	LSB	7.8.9
<b>Range of Output (PSI5, lateral, or Z-Axis, All Ranges)</b>							
10634	Signed Sensor Data, 10 bit	RANGE <sub>Signed_10</sub>	-480	—	+480	LSB	7.8.9
<b>Cross-Axis Sensitivity, lateral, or Z-Axis, All Ranges</b>							
10645	Z-axis to X-Axis, Y-axis to X-Axis, Z-axis to Y-Axis, X-axis to Y-Axis	V <sub>ZX</sub> , V <sub>YX</sub>	-5	—	+5	%	6
10647	X-axis to Z-Axis, Y-axis to Z-Axis	V <sub>XZ</sub> , V <sub>YZ</sub>	-5	—	+5	%	6
<b>Non-Linearity (12 bit, lateral, or Z-Axis, All Ranges)</b>							
10669	Differential Non-Linearity (No Missing Codes)	DNL	—	—	+1.0	LSB	7
10670	End Point Non-Linearity (Least Squares BFSL)	INL	—	—	+20.0	LSB	6

**Table 24. Electrical characteristics - inertial sensor signal chain: Medium g...continued**

$V_{BUS\_I\_L\_min} \leq (V_{BUS\_I} - V_{SS}) \leq V_{BUS\_I\_H\_max}$ ,  $T_L \leq T_A \leq T_H$ ,  $\Delta T \leq 25$  °C/min, unless otherwise specified

#	Characteristic	Symbol	Min	Typ	Max	Units	Test notes
<b>Supply Coupling (C<sub>BUF</sub> = 1 µf, 12 bit, DSI3, PSI5, lateral, or Z-Axis, All Ranges)</b>							
10663	1 kHz ≤ f <sub>n</sub> ≤ 10 kHz, BUS_I = 8.0 V ± 2.0 V (Represents PSI5 Sync Pulse)	PSC <sub>PSI5</sub>	—	—	1	LSB	6
10682	10 kHz ≤ f <sub>n</sub> ≤ 100 kHz, BUS_I = 6.0 V ± 1.0 V (Represents DSI3 BRC)	PSC <sub>DSI3C</sub>	—	—	1	LSB	6
10681	100 kHz ≤ f <sub>n</sub> ≤ 1 MHz, BUS_I = 6.0 V ± 0.5 V (Represents DSI3/PSI5 Response)	PSC <sub>DSI3R</sub>	—	—	1	LSB	6
10680	1 MHz ≤ f <sub>n</sub> ≤ 20 MHz, BUS_I = 6.0 V ± 0.1 V (Represents Response Harmonics)	PSC <sub>SATH</sub>	—	—	1	LSB	6
<b>Supply Coupling (C<sub>BUF</sub> = 0.1 µf, 12 bit, SPI, lateral, or Z-Axis, All Ranges)</b>							
10675	1 kHz ≤ f <sub>n</sub> ≤ 20 MHz, V <sub>BUF</sub> = 5.0 V ± 0.1 V	PSC <sub>SPI5</sub>	—	—	2	LSB	6
10683	1 kHz ≤ f <sub>n</sub> ≤ 20 MHz, V <sub>BUF</sub> = 3.3 V ± 0.1 V	PSC <sub>SPI3</sub>	—	—	2	LSB	6
<b>Noise: Lateral Sensor</b>							
<b>System Output Noise Peak (12 bit), Medium g Range = 50 g, Lateral</b>							
10653	Max. Deviation from Mean, Min. 2000 values, Min. f <sub>Samp</sub> = 2 kHz, LPF = 400 Hz, 4-Pole	η <sub>PeakX_400C</sub>	-4	—	+4	LSB	6
10655	Max. Deviation from Mean, Min. 50 values, Min. f <sub>Samp</sub> = 2 kHz, LPF = 400 Hz, 4-Pole	η <sub>PeakX_400T</sub>	-4	—	+4	LSB	1
<b>System Output Noise Average (12 bit), Medium g Range = 50 g, Lateral</b>							
10654	Standard Deviation, Min. 2000 values, Min. f <sub>Samp</sub> = 2 kHz, LPF = 400 Hz, 4-Pole	η <sub>RMSX_400C</sub>	—	—	+1.0	LSB	6
10656	Standard Deviation, Min. 50 values, Min. f <sub>Samp</sub> = 2 kHz, LPF = 400 Hz, 4-Pole	η <sub>RMSX_400T</sub>	—	—	+1.0	LSB	1
<b>Noise: Z-Axis Sensor</b>							
<b>System Output Noise Peak (12 bit), Medium g Range = 50 g, Z-Axis</b>							
10659	Max. Deviation from Mean, Min. 2000 values, Min. f <sub>Samp</sub> = 2 kHz, LPF = 400 Hz, 4-Pole	η <sub>PeakZ_400C</sub>	-8	—	+8	LSB	6
10661	Max. Deviation from Mean, Min. 50 values, Min. f <sub>Samp</sub> = 2 kHz, LPF = 400 Hz, 4-Pole	η <sub>PeakZ_400T</sub>	-8	—	+8	LSB	1
<b>System Output Noise Average (12 bit), Medium g Range = 50 g, Z-Axis</b>							
10660	Standard Deviation, Min. 2000 values, Min. f <sub>Samp</sub> = 2 kHz, LPF = 400 Hz, 4-Pole	η <sub>RMSZ_400C</sub>	—	—	+2.0	LSB	6
10662	Standard Deviation, Min. 50 values, Min. f <sub>Samp</sub> = 2 kHz, LPF = 400 Hz, 4-Pole	η <sub>RMSZ_400T</sub>	—	—	+2.0	LSB	1

The offset before offset cancellation scales with the user gain. The higher the gain (lower range), the higher the offset. [Table 25](#) lists the adjusted offset specification limits for some SPI and DSI3 12-bit user gain settings.

**Table 25. Medium g, SPI/DSI3 12-bit offset specification**

User range (g)	Offset (LSB, 12 bit)
15.5	± 162
16	± 157
20	± 126
25	± 100
35	± 72
50	± 50
60	± 42

**Table 25. Medium g, SPI/DSI3 12-bit offset specification...continued**

User range (g)	Offset (LSB, 12 bit)
62	± 41
62.5	± 41
75	± 34
85.3	± 30
100	± 25
105	± 24
112.5	± 23
125	± 21
128	± 20
150	± 17

[Table 26](#) lists the offset before offset cancellation limits for some PSI5 10-bit user gain settings.

**Table 26. Medium g, PSI5 10-bit offset specification**

User range (g)	Offset (LSB, 10 bit)
15	± 40
20	± 30
30	± 20
60	± 10
120	± 5

The signal noise scales with the user gain and with signal bandwidth. The higher the gain (lower range), the higher the noise, the wider the bandwidth, the higher the noise. [Table 27](#) lists the adjusted specification limits for some user gain settings and low-pass filter selections.

**Note:** Peak values indicate the maximum deviation from the mean.

**Table 27. Lateral, Medium g, SPI/DSI3 12-bit noise specification**

User range (g)	LPF 400 Hz, 4p		LPF 400 Hz, 3p		LPF 180 Hz, 2p		LPF 325 Hz, 3p		LPF 1500 Hz, 4p		LPF 800 Hz, 4p	
	Peak LSB 12 bit	RMS LSB 12 bit	Peak LSB 12 bit	RMS LSB 12 bit	Peak LSB 12 bit	RMS LSB 12 bit	Peak LSB 12 bit	RMS LSB 12 bit	Peak LSB 12 bit	RMS LSB 12 bit	Peak LSB 12 bit	RMS LSB 12 bit
15.5	14	4	14	4	10	3	13	4	26	7	20	5
25	9	3	9	3	6	2	8	2	17	4	12	3
50	4	1	5	1	3	1	4	1	8	2	6	2
62.5	4	1	4	1	3	1	4	1	7	2	5	2
100	3	1	3	1	2	1	2	1	4	1	3	1
125	2	1	2	1	2	1	2	1	4	1	3	1
150	2	1	2	1	1	1	2	1	3	1	2	1

**Table 28. Z-axis, Medium g, SPI/DSI3 12-bit noise specification**

User range (g)	LPF 400 Hz, 4p		LPF 400 Hz, 3p		LPF 180 Hz, 2p		LPF 325 Hz, 3p		LPF 1500 Hz, 4p		LPF 800 Hz, 4p	
	Peak LSB 12 bit	RMS LSB 12 bit	Peak LSB 12 bit	RMS LSB 12 bit	Peak LSB 12 bit	RMS LSB 12 bit	Peak LSB 12 bit	RMS LSB 12 bit	Peak LSB 12 bit	RMS LSB 12 bit	Peak LSB 12 bit	RMS LSB 12 bit
15.5	27	7	28	7	20	5	25	7	53	14	39	10
25	17	5	18	5	12	3	16	4	33	9	24	6
50	8	2	9	2	6	2	8	2	16	4	12	3
62.5	7	2	7	2	5	2	7	2	13	4	10	3
100	5	1	5	2	3	1	4	1	9	2	6	2
125	4	1	4	1	3	1	4	1	7	2	5	2
150	3	1	3	1	2	1	3	1	6	2	4	1

Table 29 and Table 30 list the adjusted specification limits for some PSI5 10-bit user gain settings and low-pass filter selections.

**Table 29. Lateral, Medium g, PSI5 10-bit noise specifications**

User range (g)	LPF 400 Hz, 4p		LPF 400 Hz, 3p		LPF 800 Hz, 4p	
	Peak LSB 10 bit	RMS LSB 10 bit	Peak LSB 10 bit	RMS LSB 10 bit	Peak LSB 10 bit	RMS LSB 10 bit
30, PSI5	2	0.5	3	0.6	3	0.8
60, PSI5	1	0.5	2	0.6	2	0.8
120, PSI5	1	0.5	2	0.6	2	0.8

**Table 30. Z-axis, Medium g, PSI5 10-bit noise specification**

User range (g)	LPF 400 Hz, 4p		LPF 400 Hz, 3p		LPF 800 Hz, 4p	
	Peak LSB 10 bit	RMS LSB 10 bit	Peak LSB 10 bit	RMS LSB 10 bit	Peak LSB 10 bit	RMS LSB 10 bit
30, PSI5	4	0.8	4	0.9	5	1.2
60, PSI5	2	0.5	3	0.6	3	0.8
120, PSI5	1	0.5	2	0.6	2	0.8

## 10.8 Electrical characteristics - inertial sensor self-test

**Table 31. Electrical characteristics - inertial sensor self-test**

$V_{BUS\_I\_L\_min} \leq (V_{BUS\_I} - V_{SS}) \leq V_{BUS\_I\_H\_max}$ ,  $T_L \leq T_A \leq T_H$ ,  $\Delta T \leq 25 \text{ }^\circ\text{C/min}$ , unless otherwise specified

#	Characteristic	Symbol	Min	Typ	Max	Units	Test notes
<b>Med g Lateral Self-test, 62 g, U_SNS_SHIFT = 0x2, U_SNS_MULT = 0x00</b>			$\Delta ST_{MIN}$	$\Delta ST_{NOM}$	$\Delta ST_{MAX}$		
	Low self-test, 14.80 g, 10-bit Signed Delta from Offset	ST <sub>ML_62X_10</sub>	54	121	188	LSB	Z
	High self-test, 44.50 g, 10-bit Signed Delta from Offset	ST <sub>MH_62X_10</sub>	220	367	511	LSB	Z
	Low self-test, 14.80 g, 12-bit Signed Delta from Offset	ST <sub>ML_62X_12</sub>	218	485	752	LSB	Z
	High self-test, 44.50 g, 12-bit Signed Delta from Offset	ST <sub>MH_62X_12</sub>	881	1470	2047	LSB	Z
	Low self-test, 14.80 g, 16-bit SPI/PSI5 Extended Signed Delta from Offset	ST <sub>ML_62X_16</sub>	3456	7744	12032	LSB	Z
	High self-test, 44.50 g, 16-bit SPI/PSI5 Extended Signed Delta from Offset	ST <sub>MH_62X_16</sub>	14080	23488	32767	LSB	Z
10687	Low self-test, 14.80 g, 16-bit Signed SNSDATAx Register Delta from Offset	ST <sub>ML_62X_13</sub>	436	970	1504	LSB	1
10688	High self-test, 44.50 g, 16-bit Signed SNSDATAx Register Delta from Offset	ST <sub>MH_62X_13</sub>	1763	2939	4115	LSB	1



**Table 31. Electrical characteristics - inertial sensor self-test...continued**

$V_{BUS\_L\_min} \leq (V_{BUS\_I} - V_{SS}) \leq V_{BUS\_L\_H\_max}$ ,  $T_L \leq T_A \leq T_H$ ,  $\Delta T \leq 25 \text{ }^\circ\text{C/min}$ , unless otherwise specified

#	Characteristic	Symbol	Min	Typ	Max	Units	Test notes
<b>Med g Z-Axis Self-test, 62 g, U_SNS_SHIFT = 0x2, U_SNS_MULT = 0x00</b>			$\Delta ST_{MIN}$	$\Delta ST_{NOM}$	$\Delta ST_{MAX}$		
	Low self-test, 8.66 g, 10-bit Signed Delta from Offset	ST <sub>ML_62Z_10</sub>	34	78	121	LSB	Z
	High self-test, 21.65 g, 10-bit Signed Delta from Offset	ST <sub>MH_62Z_10</sub>	107	178	251	LSB	Z
	Low self-test, 8.66 g, 12-bit Signed Delta from Offset	ST <sub>ML_62Z_12</sub>	139	310	481	LSB	Z
	High self-test, 21.65 g, 12-bit Signed Delta from Offset	ST <sub>MH_62Z_12</sub>	428	715	1001	LSB	Z
	Low self-test, 8.66 g, 16-bit SPI/PSI5 Extended Signed Delta from Offset	ST <sub>ML_62Z_16</sub>	2176	4928	7744	LSB	Z
	High self-test, 21.65 g, 16-bit SPI/PSI5 Extended Signed Delta from Offset	ST <sub>MH_62Z_16</sub>	6848	11392	16064	LSB	Z
30134	Low self-test, 8.66 g, 16-bit Signed SNSDATAx Register Delta from Offset	ST <sub>ML_62Z_13</sub>	278	620	962	LSB	1
30135	High self-test, 21.65 g, 16-bit Signed SNSDATAx Register Delta from Offset	ST <sub>MH_62Z_13</sub>	857	1430	2002	LSB	1
<b>High g Lateral Self-test, 187 g, U_SNS_SHIFT = 0x2, U_SNS_MULT = 0x00</b>			$\Delta ST_{MIN}$	$\Delta ST_{NOM}$	$\Delta ST_{MAX}$		
	Low self-test, 18.33 g, 10-bit Signed Delta from Offset	ST <sub>HL_187X_10</sub>	24	55	86	LSB	Z
	High self-test, 55.00 g, 10-bit Signed Delta from Offset	ST <sub>HH_187X_10</sub>	90	150	212	LSB	Z
	Low self-test, 18.33 g, 12-bit Signed Delta from Offset	ST <sub>HL_187X_12</sub>	99	220	341	LSB	Z
	High self-test, 55.00 g, 12-bit Signed Delta from Offset	ST <sub>HH_187X_12</sub>	361	603	845	LSB	Z
	Low self-test, 18.33 g, 16-bit SPI/PSI5 Extended Signed Delta from Offset	ST <sub>HL_187X_16</sub>	1536	3520	5504	LSB	Z
	High self-test, 55.00 g, 16-bit SPI/PSI5 Extended Signed Delta from Offset	ST <sub>HH_187X_16</sub>	5760	9600	13568	LSB	Z
10685	Low self-test, 18.33 g, 16-bit Signed SNSDATAx Register Delta from Offset	ST <sub>HL_187X_13</sub>	198	1206	682	LSB	1
10686	High self-test, 55.00 g, 16-bit Signed SNSDATAx Register Delta from Offset	ST <sub>HH_187X_13</sub>	723	440	1689	LSB	1
<b>High g Z-Axis Self-test, 187 g, U_SNS_SHIFT = 0x2, U_SNS_MULT = 0x00</b>			$\Delta ST_{MIN}$	$\Delta ST_{NOM}$	$\Delta ST_{MAX}$		
	Low self-test, 25.40 g, 10-bit Signed Delta from Offset	ST <sub>HL_187Z_10</sub>	31	70	109	LSB	Z
	High self-test, 63.50 g, 10-bit Signed Delta from Offset	ST <sub>HH_187Z_10</sub>	104	173	244	LSB	Z
	Low self-test, 25.40 g, 12-bit Signed Delta from Offset	ST <sub>HL_187Z_12</sub>	125	279	433	LSB	Z
	High self-test, 63.50 g, 12-bit Signed Delta from Offset	ST <sub>HH_187Z_12</sub>	417	695	974	LSB	Z
	Low self-test, 25.40 g, 16-bit SPI/PSI5 Extended Signed Delta from Offset	ST <sub>HL_187Z_16</sub>	1984	4416	6976	LSB	Z
	High self-test, 63.50 g, 16-bit SPI/PSI5 Extended Signed Delta from Offset	ST <sub>HH_187Z_16</sub>	6656	11072	15616	LSB	Z
30136	Low self-test, 25.40 g, 16-bit Signed SNSDATAx Register Delta from Offset	ST <sub>HL_187Z_13</sub>	250	558	866	LSB	1
30137	High self-test, 63.50 g, 16-bit Signed SNSDATAx Register Delta from Offset	ST <sub>HH_187Z_13</sub>	834	1390	1947	LSB	1
<b>High self-test Accuracy: <math>\Delta</math> from Stored Value, including Sensitivity Error</b>							
<b>(12 bit, Lateral, or Z-Axis, All Ranges)</b>							
10678	25 °C, Post Pre-conditioning	$\Delta STHACC_{25P}$	-2	—	+2	%	6
10690	-40 °C $\leq T_A \leq$ 125 °C	$\Delta STHACC_T$	-10	—	+10	%	1

**Table 31. Electrical characteristics - inertial sensor self-test...continued**

$V_{BUS\_I\_L\_min} \leq (V_{BUS\_I} - V_{SS}) \leq V_{BUS\_I\_H\_max}$ ,  $T_L \leq T_A \leq T_H$ ,  $\Delta T \leq 25$  °C/min, unless otherwise specified

#	Characteristic	Symbol	Min	Typ	Max	Units	Test notes
<b>Self-test Delta Offset: <math>\Delta</math> Offset from Pre-Self-test to Post Self-test</b>							
<b>(12 bit, Lateral, or Z-Axis, All Ranges)</b>							
10692	25 °C	$\Delta$ STOFF_25	-2	—	+2	LSB	1
10692	-40 °C $\leq T_A \leq$ 125 °C	$\Delta$ STOFF_T	-4	—	+4	LSB	1
<b>Digital Self-test</b>							
44629	Digital Self-test 0xC, 16-bit Signed SNSDATAx Register Value	DST <sub>C0</sub>	E77F	E780	E781	HEX	1
44630	Digital Self-test 0xD, 16-bit Signed SNSDATAx Register Value	DST <sub>D0</sub>	0FA3	0FA4	0FA5	HEX	1
44631	Digital Self-test 0xE, 16-bit Signed SNSDATAx Register Value	DST <sub>E0</sub>	EFA2	EFA3	EFA4	HEX	1
44632	Digital Self-test 0xF, 16-bit Signed SNSDATAx Register Value	DST <sub>F0</sub>	07B7	07B8	07B9	HEX	1

### 10.9 Electrical characteristics - lateral inertial sensor overload

**Table 32. Electrical characteristics - lateral inertial sensor overload**

$V_{BUS\_I\_L\_min} \leq (V_{BUS\_I} - V_{SS}) \leq V_{BUS\_I\_H\_max}$ ,  $T_L \leq T_A \leq T_H$ ,  $\Delta T \leq 25$  °C/min, unless otherwise specified

#	Characteristic	Symbol	Min	Typ	Max	Units	Test notes
<b>Acceleration Range, Lateral Transducer</b>							
10694	Medium g	$g_{g-cell\_ClipMedX}$	$\pm 500$	—	—	g	1
10693	High g	$g_{g-cell\_ClipHiX}$	$\pm 2000$	—	—	g	1
21074	Digital Clipping Limit (Medium g Lateral, must clip before transducer and ADC)	$g_{Dig\_ClipMedXHi}$	$\pm 400$	—	—	g	1
21082	Digital Clipping Limit (High g Lateral, must clip before transducer and ADC)	$g_{Dig\_ClipHiXHi}$	$\pm 1500$	—	—	g	1

### 10.10 Electrical characteristics - Z-axis inertial sensor overload

**Table 33. Electrical characteristics - Z-axis inertial sensor overload**

$V_{BUS\_I\_L\_min} \leq (V_{BUS\_I} - V_{SS}) \leq V_{BUS\_I\_H\_max}$ ,  $T_L \leq T_A \leq T_H$ ,  $\Delta T \leq 25$  °C/min, unless otherwise specified

#	Characteristic	Symbol	Min	Typ	Max	Units	Test notes
<b>Acceleration Range, Z-Axis Transducer</b>							
10698	Medium g	$g_{g-cell\_ClipMedZ}$	$\pm 500$	—	—	g	1
10699	High g	$g_{g-cell\_ClipHiZ}$	$\pm 2000$	—	—	g	1
21105	Digital Clipping Limit (Medium g Z-Axis, must clip before transducer and ADC)	$g_{Dig\_ClipMedZHi}$	$\pm 400$	—	—	g	1
21113	Digital Clipping Limit (High g Z-Axis, must clip before transducer and ADC)	$g_{Dig\_ClipHiZHi}$	$\pm 1500$	—	—	g	1

## 10.11 Dynamic electrical characteristics - DSI3

Table 34. Dynamic electrical characteristics - DSI3

 $V_{BUS\_L\_min} \leq (V_{BUS\_I} - V_{SS}) \leq V_{BUS\_L\_H\_max}$ ,  $T_L \leq T_A \leq T_H$ ,  $\Delta T \leq 25$  °C/min, unless otherwise specified

#	Characteristic	Symbol	Min	Typ	Max	Units	Test notes
<b>Command Reception (General)</b>							
10709	V <sub>HIGH</sub> low-pass filter time constant (Section 12.1.1)	t <sub>VHIGH_RC</sub>	60	120	180	µs	7.9
10722	V <sub>HIGH</sub> Detection Analog Delay (Section 12.1.1)	t <sub>VHIGH_Delay</sub>	—	—	600	ns	7.9
10721	Command Valid time (Section 12.1.1)	t <sub>Cmd_Valid</sub>	—	2	—	µs	7.9
<b>Response Transmission (General, Slew Control Enabled, Section 12.3.3)</b>							
10710	Response Slew Time: 2.0 mA to 10.0 mA, 10.0 mA to 2.0 mA	t <sub>SLEW1_RESP</sub>	350	400	500	ns	1.7.9
10726	Response Slew Time: 4.0 mA to 20.0 mA, 20.0 mA to 4.0 mA	t <sub>SLEW2_RESP</sub>	350	400	500	ns	1.7.9
10725	t <sub>SLEW1_RESP</sub> - t <sub>SLEW2_RESP</sub>	Δt <sub>SLEW</sub>	-100	—	100	ns	7.9
10724	t <sub>SLEW1_RESP_Rise</sub> - t <sub>SLEW2_RESP_Fall</sub>	Δt <sub>SLEW_rf</sub>	-250	—	250	ns	7.9
10723	Response Current Activation Time: Current Activated to 50 %	t <sub>ACT_RESP</sub>	200	—	400	ns	3.7.9
<b>Response Transmission (General, Slew Control Disabled, Section 12.3.3)</b>							
10727	Response Slew Time: 2.0 mA to 10.0 mA, 10.0 mA to 2.0 mA	t <sub>nSLEW1_RESP</sub>	—	—	300	ns	7.9
10728	Response Slew Time: 4.0 mA to 20.0 mA, 20.0 mA to 4.0 mA	t <sub>nSLEW2_RESP</sub>	—	—	300	ns	7.9
10729	t <sub>SLEW1_RESP</sub> - t <sub>SLEW2_RESP</sub>	Δt <sub>nSLEW</sub>	-300	—	300	ns	7.9
10730	t <sub>SLEW1_RESP_Rise</sub> - t <sub>SLEW2_RESP_Fall</sub>	Δt <sub>nSLEW_rf</sub>	-300	—	300	ns	7.9
10731	Response Current Activation Time: Current Activated to 50 %	t <sub>nACT_RESP</sub>	—	—	300	ns	7.9
<b>Command Reception (Discovery Mode)</b>							
10719	Command Start Time (Section 12.2)	t <sub>START_DISC</sub>	t <sub>POR_DSI</sub>	—	13.5	ms	7.8.9
10734	Command Bit Time (Section 12.2)	t <sub>DISC_BitTime</sub>	14	16	18	µs	7.8.9
10733	Command Transmission Period (Section 12.2)	t <sub>PER_DISC</sub>	125	—	—	µs	7.8.9
10732	Command Blocking Time, Discovery Mode (Section 12.1.1)	t <sub>CmdBlock_DISC</sub>	—	80	—	µs	7.8.9
<b>Response Transmission (Discovery Mode)</b>							
30078	Idle Current Sample Delay (Section 12.2)	t <sub>DISC_DLY</sub>	—	48	—	µs	7.8.9
30079	Idle Current Sample Time (Section 12.2)	t <sub>DISC_ICCQ_SAMP</sub>	—	15	—	µs	7.8.9
10718	Response Start Delay (Section 12.2)	t <sub>START_DISC_RSP</sub>	—	64	—	µs	7.8.9
10738	Response Ramp Time (Section 12.2)	t <sub>DISC_Ramp_RSP</sub>	—	16	—	µs	7.8.9
10737	Response Ramp Rate (Section 12.2)	I <sub>DISC_Ramp</sub>	—	1.5	—	mA/µs	7.8.9
10736	Response Idle Time (Section 12.2)	t <sub>DISC_Idle_RSP</sub>	—	16	—	µs	7.8.9
10735	Response Peak Current (Section 12.2)	I <sub>DISC_Peak</sub>	—	2*I <sub>RESP</sub>	—	mA	7.8.9
30081	Response Current Sample Delay (Section 12.2)	t <sub>DISC_Samp_Dly</sub>	—	65	—	µs	7.8.9
30080	Response Current Sample Time (Section 12.2)	t <sub>DISC_Samp</sub>	—	31	—	µs	7.8.9
<b>Command Reception (Command and Response Mode)</b>							
10717	Command Bit Time (Section 12.3)	t <sub>Cmd_BitTime</sub>	—	8	—	µs	7.8.9
10741	Command Transmission Period (Section 12.3)	t <sub>PER_CRM</sub>	475	—	—	µs	7.8.9
10740	Command Blocking Time, CRM (Section 12.1.1)	t <sub>CmdBlock_CRM</sub>	—	455	—	µs	7.8.9
10739	Command Blocking Start Time, CRM (Section 12.1.1)	t <sub>CmdBlock_ST_CRM</sub>	—	290	—	µs	7.8.9

**Table 34. Dynamic electrical characteristics - DSI3...continued**

$V_{BUS\_I\_L\_min} \leq (V_{BUS\_I} - V_{SS}) \leq V_{BUS\_I\_H\_max}$ ,  $T_L \leq T_A \leq T_H$ ,  $\Delta T \leq 25$  °C/min, unless otherwise specified

#	Characteristic	Symbol	Min	Typ	Max	Units	Test notes
<b>Response Transmission (Command and Response Mode)</b>							
10716	Response Chip Time	$t_{CHIP\_CRM}$	—	5	—	µs	7.8.9
10742	Response Start Time (Section 12.3)	$t_{START\_CRM}$	—	295	—	µs	7.8.9
<b>Command Reception (Periodic Data Collection Mode)</b>							
10715	Command Bit Time (Section 12.4)	$t_{Cmd\_BitTime}$	—	8	—	µs	7.8.9
10743	Command Transmission Period (Section 12.4)	$t_{PER\_PDCM}$	50	—	—	µs	7.8.9
<b>Response Transmission (Periodic Data Collection Mode)</b>							
10714	Response Chip Time Typical (Section 11.2.15.4)	$t_{CHIP\_PDCM}$	1.0	—	5.0	µs	7.8.9
10746	Min Programmed Start Time: PDCM_RSPSTx < 0x0015	$t_{START\_PDCM\_Min}$	—	20	—	µs	7.8.9
10745	Min Programmed Start Time: BDM Enabled	$t_{START\_PDCMBDMMin}$	—	51	—	µs	7.8.9
10744	Max Programmed Start Time: PDCM_RSPSTx = 0x1FFF	$t_{START\_PDCM\_Max}$	—	8191	—	µs	7.8.9
<b>Response Transmission (Background Diagnostic Mode)</b>							
49314	Response Chip Time	$t_{CHIP\_BDM}$	—	$t_{CHIP\_PDCM}$	—	µs	7.8.9
10747	Response Start Time (Section 12.4)	$t_{START\_BDM}$	—	20	—	µs	7.8.9
10712	DSI Data Latency	$t_{LAT\_DSI}$	0	—	2.00	µs	7.8
<b>OTP Program Timing</b>							
10711	Time to program an OTP User Region	$t_{OTP\_WRITE\_MAX}$	—	—	10	ms	7.8.9

## 10.12 Dynamic electrical characteristics - PSI5

**Table 35. Dynamic electrical characteristics - PSI5**

$V_{BUS\_I\_L\_min} \leq (V_{BUS\_I} - V_{SS}) \leq V_{BUS\_I\_H\_max}$ ,  $T_L \leq T_A \leq T_H$ ,  $\Delta T \leq 25$  °C/min, unless otherwise specified

#	Characteristic	Symbol	Min	Typ	Max	Units	Test notes
<b>Initialization Timing</b>							
10748	Phase 1	$t_{PSI5\_INIT1}$	—	133	—	ms	7.8.9
10758	Phase 2 (Synchronous Mode, k = 4, $t_{S-S} = 500$ µs)	$t_{PSI5\_INIT2\_10s}$	—	$256 * t_{S-S}$	—	s	7.8.9
10757	Phase 2 (Asynchronous Mode, k = 8)	$t_{PSI5\_INIT2\_10a}$	—	$512 * t_{ASYNC}$	—	s	7.8.9
10756	Phase 3 (Synchronous Mode, $t_{S-S} = 500$ µs)	$t_{PSI5\_INIT3\_10s}$	—	$2 * t_{S-S}$	—	s	7.8.9
10755	Phase 3 (Asynchronous Mode)	$t_{PSI5\_INIT3\_10a}$	—	$2 * t_{ASYNC}$	—	s	7.8.9
10754	PSI5 Self-test Start Time	$t_{PSI5ST\_START}$	—	30	—	ms	7.8
10753	PSI5 Self-test Time, including Post OC Startup Offset	$t_{ST}$	—	223	—	ms	7.8
41756	Programming Mode Entry Window	$t_{PME}$	—	127	—	ms	7.8.9
<b>Synchronization Pulse</b>							
10759	Reset to first sync pulse (Program Mode Entry)	$t_{RS\_PM}$	6	—	—	ms	7.8.9
10779	Reset to first sync pulse (Normal Mode)	$t_{RS}$	$t_{PSI5\_INIT1}$	—	—	s	7.8.9
10778	Sync Pulse Period	$t_{S-S}$	175	—	—	µs	7.8.9
10777	Sync Pulse Width	$t_{SYNC}$	9	—	—	µs	7.8.9
10776	Sync Pulse Reference LPF time constant	$t_{SYNC\_LPF}$	120	280	—	µs	7.9

**Table 35. Dynamic electrical characteristics - PSi5...continued**

$V_{BUS\_I\_L\_min} \leq (V_{BUS\_I} - V_{SS}) \leq V_{BUS\_I\_H\_max}$ ,  $T_L \leq T_A \leq T_H$ ,  $\Delta T \leq 25$  °C/min, unless otherwise specified

#	Characteristic	Symbol	Min	Typ	Max	Units	Test notes
10775	Sync Pulse Reference Discharge Start Time	$t_{SYNC\_LPF\_RST\_ST}$	—	9.0	—	µs	7.9
10774	Sync Pulse Reference Discharge Activation Time	$t_{SYNC\_LPF\_RST}$	—	154	—	µs	7.9
10773	Sync Pulse Detection Disable Time (PDCM_CMD_B = 0)	$t_{SYNC\_OFF\_500}$	—	450	—	µs	7.8.9
10772	Analog Delay of Sync Pulse Detection	$t_{A\_SYNC\_DLY}$	50	—	600	ns	7.9
10771	Sync Pulse Pulldown Function Delay Time	$t_{PD\_DLY}$	—	9.0	—	µs	7.9
10770	Sync Pulse Pulldown Function Activate Time	$t_{PD\_ON}$	—	16	—	µs	7.8
10769	Sync Pulse Detection Jitter	$t_{SYNC\_JIT}$	0	—	0.5	µs	7.8
10768	Data Transmission Single Bit Time (PSi5 Standard Bit Rate)	$t_{BIT\_Standard}$	—	8.00	—	µs	7.8.9
10767	Data Transmission Single Bit Time (PSi5 High Bit Rate)	$t_{BIT\_HI}$	—	5.30	—	µs	7.8.9
<b>Response Current Transmission (No external Components)</b>							
10766	Response Slew Time: 20 % to 80 % of $I_{R\_PSi5}$	$t_{SLEW1\_RESP}$	350	400	500	ns	1.7.9
10765	Position of bit transition (All except 5.3 µs)	$t_{Bittrans\_LowBaud}$	49	50	51	%	8.9
10780	Position of bit transition (5.3 us)	$t_{Bittrans\_HighBaud}$	49	—	51	%	8.9
10764	Asynchronous Response Time	$t_{ASync}$	—	228	—	µs	7.8.9
<b>Time Slots</b>							
10763	Min Programmed Time Slot: PDCM_RSPSTx < 0x0014	$t_{TIMESLOTx\_MIN}$	—	20	—	µs	7.8.9
10790	Max Programmed Time Slot: PDCM_RSPSTx = 0x1FFF	$t_{TIMESLOTx\_MAX}$	—	8191	—	µs	7.8.9
10789	Default Time Slot (PDCM_RSPSTx = 0x0000)	$t_{TIMESLOT\_DFLT}$	—	20	—	µs	7.8.9
10788	Time Slot Resolution	$t_{TIMESLOTx\_RES}$	—	1.0	—	µs/LSB	7.8.9
10787	Sync pulse to Daisy Chain Default Time Slot 0	$t_{TIMESLOT\_DC0}$	—	46.5	—	µs	7.8.9
10786	Sync pulse to Daisy Chain Default Time Slot 1 (Low)	$t_{TIMESLOT\_DC1\_L}$	—	192	—	µs	7.8.9
10785	Sync pulse to Daisy Chain Default Time Slot 2 (Low)	$t_{TIMESLOT\_DC2\_L}$	—	350	—	µs	7.8.9
10784	Sync pulse to Daisy Chain Default Time Slot 1 (High)	$t_{TIMESLOT\_DC1\_H}$	—	150	—	µs	7.8.9
10783	Sync pulse to Daisy Chain Default Time Slot 2 (High)	$t_{TIMESLOT\_DC2\_H}$	—	260	—	µs	7.8.9
10782	Sync pulse to Daisy Chain Default Time Slot 3 (High)	$t_{TIMESLOT\_DC3\_H}$	—	380	—	µs	7.8.9
10781	Sync pulse to Daisy Chain Programming Time Slot	$t_{TIMESLOT\_DCP}$	—	46.5	—	µs	7.8.9
10762	PSi5 Data Latency	$t_{LAT\_PSi5}$	0	—	1.00	µs	7.8
<b>Bus Switch Output Activation Time (C = 50 pF)</b>							
10761	From last bit of "SetAdr" Response to 80 % of $V_{BUS\_SW\_OH}$	$t_{BUS\_SW}$	—	—	300	µs	7
<b>PSi5 Programming Mode Sync Pulse Period</b>							
10760	The user must provide a sync pulse period within this range to guarantee Programming Mode communications	$t_{S\_S\_PM}$	245	250	255	µs	7.8.9
	PSi5 Programming Mode Command Blanking Time	$t_{SYNC\_OFF\_250}$	—	200	—	µs	7.8.9
<b>Daisy Chain Mode Sync Pulse Period</b>							
39810	The user must provide a sync pulse period within this range to guarantee communications	$t_{S\_S\_DC}$	490	500	510	µs	7.8.9
<b>OTP Program Timing</b>							
10793	Time to program one OTP User Region	$t_{OTP\_WRITE\_MAX}$	—	—	10	ms	7.8.9

10.13 Dynamic electrical characteristics - SPI

Table 36. Dynamic electrical characteristics - SPI

$V_{CC\_BUF\_min} \leq (V_{BUS\_I} - V_{SS}) \leq V_{CC\_BUF\_max}$ ,  $T_L \leq T_A \leq T_H$ ,  $\Delta T \leq 25 \text{ }^\circ\text{C/min}$ , unless otherwise specified

#	Characteristic	Symbol	Min	Typ	Max	Units	Test notes
<b>Serial Interface Timing (See Figure 97, C<sub>MISO</sub> ≤ 80 pF, R<sub>MISO</sub> ≥ 10 kΩ)</b>							
10794	Clock (SCLK) period (10 % of V <sub>CC</sub> to 10 % of V <sub>CC</sub> )	t <sub>SCLK</sub>	88	—	—	ns	6
<b>Serial Interface Timing (See Figure 97, C<sub>MISO</sub> ≤ 80 pF, R<sub>MISO</sub> ≥ 10 kΩ)</b>							
10801	Clock (SCLK) high time (90 % of V <sub>CC</sub> to 90 % of V <sub>CC</sub> )	t <sub>SCLKH</sub>	30	—	—	ns	6
10802	Clock (SCLK) low time (10 % of V <sub>CC</sub> to 10 % of V <sub>CC</sub> )	t <sub>SCLKL</sub>	30	—	—	ns	6
<b>Serial Interface Timing (See Figure 97, C<sub>MISO</sub> ≤ 80 pF, R<sub>MISO</sub> ≥ 10 kΩ)</b>							
10800	Clock (SCLK) rise time (10 % of V <sub>CC</sub> to 90 % of V <sub>CC</sub> )	t <sub>SCLKR</sub>	—	10	25	ns	7
10803	Clock (SCLK) fall time (90 % of V <sub>CC</sub> to 10 % of V <sub>CC</sub> )	t <sub>SCLKF</sub>	—	10	25	ns	7
<b>Serial Interface Timing (See Figure 97, C<sub>MISO</sub> ≤ 80 pF, R<sub>MISO</sub> ≥ 10 kΩ)</b>							
10799	SS_B asserted to SCLK high (SS_B = 10 % of V <sub>CC</sub> to SCLK = 10 % of V <sub>CC</sub> )	t <sub>LEAD</sub>	50	—	—	ns	6
<b>Serial Interface Timing (See Figure 97, C<sub>MISO</sub> ≤ 80 pF, R<sub>MISO</sub> ≥ 10 kΩ)</b>							
10798	SS_B asserted to MISO valid (SS_B = 10 % of V <sub>CC</sub> to MISO = 10/90 % of V <sub>CC</sub> )	t <sub>ACCESS</sub>	—	—	50	ns	6
<b>Serial Interface Timing (See Figure 97, C<sub>MISO</sub> ≤ 80 pF, R<sub>MISO</sub> ≥ 10 kΩ)</b>							
10797	Data setup time (MOSI = 10/90 % of V <sub>CC</sub> to SCLK = 10 % of V <sub>CC</sub> )	t <sub>SETUP</sub>	20	—	—	ns	6
<b>Serial Interface Timing (See Figure 97, C<sub>MISO</sub> ≤ 80 pF, R<sub>MISO</sub> ≥ 10 kΩ)</b>							
10796	MOSI Data hold time (SCLK = 90 % of V <sub>CC</sub> to MOSI = 10/90 % of V <sub>CC</sub> )	t <sub>HOLD_IN</sub>	10	—	—	ns	6
10804	MISO Data hold time (SCLK = 90 % of V <sub>CC</sub> to MISO = 10/90 % of V <sub>CC</sub> )	t <sub>HOLD_OUT</sub>	0	—	—	ns	6
<b>Serial Interface Timing (See Figure 97, C<sub>MISO</sub> ≤ 80 pF, R<sub>MISO</sub> ≥ 10 kΩ)</b>							
10795	SCLK low to data valid (SCLK = 10 % of V <sub>CC</sub> to MISO = 10/90 % of V <sub>CC</sub> )	t <sub>VALID</sub>	—	—	30	ns	6
<b>Serial Interface Timing (See Figure 97, C<sub>MISO</sub> ≤ 80 pF, R<sub>MISO</sub> ≥ 10 kΩ)</b>							
10807	SCLK low to SS_B high (SCLK = 10 % of V <sub>CC</sub> to SS_B = 90 % of V <sub>CC</sub> )	t <sub>LAG</sub>	60	—	—	ns	6
<b>Serial Interface Timing (See Figure 97, C<sub>MISO</sub> ≤ 80 pF, R<sub>MISO</sub> ≥ 10 kΩ)</b>							
10806	SS_B high to MISO disable (SS_B = 90 % of V <sub>CC</sub> to MISO = High Z)	t <sub>DISABLE</sub>	—	—	60	ns	6
<b>Serial Interface Timing (See Figure 97, C<sub>MISO</sub> ≤ 80 pF, R<sub>MISO</sub> ≥ 10 kΩ)</b>							
<b>SS_B high to SS_B low (SS_B = 90 % of V<sub>CC</sub> to SS_B = 90 % of V<sub>CC</sub>)</b>							
10805	Following Sensor Data Request Commands	t <sub>SSN_SENSE</sub>	500	—	—	ns	6
10813	Following Register Reads/Writes Registers	t <sub>SSN_R</sub>	500	—	—	ns	6
10812	Following Register Write to the UF_REGION_W Register	t <sub>SSN_UF01</sub>	50	—	—	μs	6
10810	Time Between Sensor Data Requests (Same Channel, SPI Only, Arm Enabled)	t <sub>ACC_REQ_x</sub>	15	—	—	μs	6
<b>Arming Output Activation Time (ARM0, ARM1, I<sub>ARM</sub> = 200 μA)</b>							
10809	Moving Average and Count Arming Modes	t <sub>ARM</sub>	0	—	1.50	μs	6
10817	Unfiltered Mode Activation Delay	t <sub>ARM_UF_DLY</sub>	0	—	1.50	μs	6
10816	Unfiltered Mode Arm Assertion Time	t <sub>ARM_UF_ASSERT</sub>	5.00	—	6.00	μs	6
<b>Serial Interface Timing (See Figure 97, C<sub>MISO</sub> ≤ 80 pF, R<sub>MISO</sub> ≥ 10 kΩ)</b>							
10808	SCLK low to SS_B low (SCLK = 10 % of V <sub>CC</sub> to SS_B = 90 % of V <sub>CC</sub> )	t <sub>CLKSS</sub>	50	—	—	ns	6

**Table 36. Dynamic electrical characteristics - SPI...continued**

$V_{CC\_BUF\_min} \leq (V_{BUS\_I} - V_{SS}) \leq V_{CC\_BUF\_max}$ ,  $T_L \leq T_A \leq T_H$ ,  $\Delta T \leq 25 \text{ }^\circ\text{C/min}$ , unless otherwise specified

#	Characteristic	Symbol	Min	Typ	Max	Units	Test notes
<b>Serial Interface Timing (See Figure 97, <math>C_{MISO} \leq 80 \text{ pF}</math>, <math>R_{MISO} \geq 10 \text{ k}\Omega</math>)</b>							
10815	SS_B high to SCLK high (SS_B = 90 % of $V_{CC}$ to SCLK = 90 % of $V_{CC}$ )	$t_{SSCLK}$	50	—	—	ns	Z
10818	SPI Data Latency	$t_{LAT\_SPI}$	—	—	1	$\mu\text{s}$	Z.8
	Pin Capacitance (MISO, MOSI, SCLK, SS_B to VSS)	$C_{SPI\_PIN}$	—	—	10	pF	Z

## 10.14 Dynamic electrical characteristics - I<sup>2</sup>C

**Table 37. Dynamic electrical characteristics - I<sup>2</sup>C**

$V_{CC\_BUF\_min} \leq (V_{BUS\_I} - V_{SS}) \leq V_{CC\_BUF\_max}$ ,  $T_L \leq T_A \leq T_H$ ,  $\Delta T \leq 25 \text{ }^\circ\text{C/min}$ , unless otherwise specified

#	Characteristic	Symbol	Min	Typ	Max	Units	Test notes
<b>Clock (SCL) Period (30 % of <math>V_{CC}</math> to 30 % of <math>V_{CC}</math>)</b>							
10819	100 kHz Mode	$t_{SCLK\_100}$	9.50	—	—	$\mu\text{s}$	6
10820	400 kHz Mode	$t_{SCLK\_400}$	2.37	—	—	$\mu\text{s}$	6
10821	1000 kHz Mode	$t_{SCLK\_1000}$	1.00	—	—	$\mu\text{s}$	6
<b>Clock (SCL) High Time (70 % of <math>V_{CC}</math> to 70 % of <math>V_{CC}</math>)</b>							
10823	100 kHz Mode	$t_{SCLH\_100}$	4.00	—	—	$\mu\text{s}$	6
10837	400 kHz Mode	$t_{SCLH\_400}$	0.60	—	—	$\mu\text{s}$	6
10836	1000 kHz Mode (note: not compliant with UM10204 <sup>[1]</sup> )	$t_{SCLH\_1000}$	0.50	—	—	$\mu\text{s}$	6
<b>Clock (SCL) Low Time (30 % of <math>V_{CC}</math> to 30 % of <math>V_{CC}</math>)</b>							
10835	100 kHz Mode	$t_{SCLL\_100}$	4.70	—	—	$\mu\text{s}$	6
10839	400 kHz Mode	$t_{SCLL\_400}$	1.30	—	—	$\mu\text{s}$	6
10838	1000 kHz Mode	$t_{SCLL\_1000}$	0.50	—	—	$\mu\text{s}$	6
<b>Clock (SCL) and Data (SDA) Rise Time (30 % of <math>V_{CC}</math> to 70 % of <math>V_{CC}</math>)</b>							
10834	100 kHz Mode	$t_{SRISE\_100}$	—	—	1000	ns	6
10841	400 kHz Mode	$t_{SRISE\_400}$	—	—	300	ns	6
10840	1000 kHz Mode	$t_{SRISE\_1000}$	—	—	120	ns	6
<b>Clock (SCL) and Data (SDA) Fall Time (70 % of <math>V_{CC}</math> to 30 % of <math>V_{CC}</math>)</b>							
10833	100 kHz Mode	$t_{SFALL\_100}$	—	—	300	ns	6
10844	400 kHz Mode	$t_{SFALL\_400}$	—	—	300	ns	6
10843	1000 kHz Mode	$t_{SFALL\_1000}$	—	—	120	ns	6
<b>Data Input Setup Time (SDA = 30/70 % of <math>V_{CC}</math> to SCL = 30 % of <math>V_{CC}</math>)</b>							
10832	100 kHz Mode	$t_{SETUP\_100}$	250	—	—	ns	6
10846	400 kHz Mode	$t_{SETUP\_400}$	100	—	—	ns	6
10845	1000 kHz Mode	$t_{SETUP\_1000}$	50	—	—	ns	6
<b>Data Input Hold Time (SCL = 70 % of <math>V_{CC}</math> to SDA = 30/70 % of <math>V_{CC}</math>)</b>							
10831	100 kHz Mode	$t_{HOLD\_100}$	0	—	900	ns	6
10848	400 kHz Mode	$t_{HOLD\_400}$	0	—	900	ns	6
10847	1000 kHz Mode	$t_{HOLD\_1000}$	0	—	300	ns	6

**Table 37. Dynamic electrical characteristics - I<sup>2</sup>C...continued**

$V_{CC\_BUF\_min} \leq (V_{BUS\_I} - V_{SS}) \leq V_{CC\_BUF\_max}$ ,  $T_L \leq T_A \leq T_H$ ,  $\Delta T \leq 25$  °C/min, unless otherwise specified

#	Characteristic	Symbol	Min	Typ	Max	Units	Test notes
<b>Start Condition Setup Time (SDA = 30/70 % of V<sub>CC</sub> to SCL = 30 % of V<sub>CC</sub>)</b>							
10830	100 kHz Mode	t <sub>STARTSETUP_100</sub>	4.70	—	—	µs	6
10851	400 kHz Mode	t <sub>STARTSETUP_400</sub>	0.60	—	—	µs	6
10850	1000 kHz Mode	t <sub>STARTSETUP_1000</sub>	0.26	—	—	µs	6
<b>Start Condition Hold Time (SCL = 70 % of V<sub>CC</sub> to SDA = 30/70 % of V<sub>CC</sub>)</b>							
10829	100 kHz Mode	t <sub>STARThOLD_100</sub>	4.00	—	—	µs	6
10853	400 kHz Mode	t <sub>STARThOLD_400</sub>	0.60	—	—	µs	6
10852	1000 kHz Mode	t <sub>STARThOLD_1000</sub>	0.26	—	—	µs	6
<b>Stop Condition Setup Time (SDA = 30/70 % of V<sub>CC</sub> to SCL = 30 % of V<sub>CC</sub>)</b>							
10828	100 kHz Mode	t <sub>STOPSETUP_100</sub>	4.00	—	—	µs	6
10855	400 kHz Mode	t <sub>STOPSETUP_400</sub>	0.60	—	—	µs	6
10854	1000 kHz Mode	t <sub>STOPSETUP_1000</sub>	0.26	—	—	µs	6
<b>SCLK low to data valid (SCL = 30 % of V<sub>CC</sub> to SDA = 30/70 % of V<sub>CC</sub>)</b>							
10827	100 kHz Mode	t <sub>VALID_100</sub>	—	—	3.45	µs	6
10857	400 kHz Mode	t <sub>VALID_400</sub>	—	—	0.90	µs	6
10856	1000 kHz Mode	t <sub>VALID_1000</sub>	—	—	0.45	µs	6
<b>Bus Free Time (SDA = 70 % of V<sub>CC</sub> to SDA = 70 % of V<sub>CC</sub>)</b>							
10826	100 kHz Mode	t <sub>FREE_100</sub>	4.00	—	—	µs	6
10859	400 kHz Mode	t <sub>FREE_400</sub>	1.30	—	—	µs	6
10859	1000 kHz Mode	t <sub>FREE_1000</sub>	0.50	—	—	µs	6
10825	Bus Capacitive Load	C <sub>BUS</sub>	—	—	400	pF	7.9

**10.15 Dynamic electrical characteristics - signal chain, low-pass filter**

**Table 38. Dynamic electrical characteristics - signal chain, low-pass filter**

$V_{BUS\_L\_min} \leq (V_{BUS\_I} - V_{SS}) \leq V_{BUS\_L\_H\_min}$ ,  $T_L \leq T_A \leq T_H$ ,  $\Delta T \leq 25$  °C/min, unless otherwise specified

#	Characteristic	Symbol	Min	Typ	Max	Units	Test notes
<b>DSP Low-Pass Filters Sample Times</b>							
10872	SAMPLERATE = 00, 01	t <sub>SigChain00</sub> , t <sub>SigChain01</sub>	—	16	—	µs	7.8.9
10872	SAMPLERATE = 10	t <sub>SigChain10</sub>	—	32	—	µs	7.8.9
10871	SAMPLERATE = 11	t <sub>SigChain11</sub>	—	64	—	µs	7.8.9
<b>DSP Low-Pass Filters (Signal Chain Sample Time = 16 µs)</b>							
21379	Cutoff Frequency, Filter Option #0, and #2, 4-Pole	f <sub>c0_16</sub> , f <sub>c2_16</sub>	—	400	—	Hz	7.8.9.11
21380	Cutoff Frequency, Filter Option #1, and #3, 3-Pole	f <sub>c1_16</sub> , f <sub>c3_16</sub>	—	400	—	Hz	7.8.9.11
21381	Cutoff Frequency, Filter Option #4, 3-Pole	f <sub>c4_16</sub>	—	325	—	Hz	7.8.9.11
21382	Cutoff Frequency, Filter Option #5, 2-Pole	f <sub>c5_16</sub>	—	370	—	Hz	7.8.9.11
21383	Cutoff Frequency, Filter Option #6, 2-Pole	f <sub>c6_16</sub>	—	180	—	Hz	7.8.9.11
21384	Cutoff Frequency, Filter Option #7, 2-Pole	f <sub>c7_16</sub>	—	100	—	Hz	7.8.9.11
21385	Cutoff Frequency, Filter Option #8, 4-Pole	f <sub>c8_16</sub>	—	1500	—	Hz	7.8.9.11



**Table 38. Dynamic electrical characteristics - signal chain, low-pass filter...continued**

$V_{BUS\_I\_L\_min} \leq (V_{BUS\_I} - V_{SS}) \leq V_{BUS\_I\_H\_min}$ ,  $T_L \leq T_A \leq T_H$ ,  $\Delta T \leq 25$  °C/min, unless otherwise specified

#	Characteristic	Symbol	Min	Typ	Max	Units	Test notes
26413	Cutoff Frequency, Filter Option #9, 4-Pole	$f_{c9\_16}$	—	500	—	Hz	<a href="#">7.8.9.11</a>
10860	Cutoff Frequency, Filter Option #10, 4-Pole	$f_{c10\_16}$	—	800	—	Hz	<a href="#">7.8.9.11</a>
10870	Cutoff Frequency, Filter Option #11, 3-Pole	$f_{c11\_16}$	—	1200	—	Hz	<a href="#">7.8.9.11</a>
10869	Cutoff Frequency, Filter Option #12, 3-Pole	$f_{c12\_16}$	—	120	—	Hz	<a href="#">7.8.9.11</a>
	Cutoff Frequency, Filter Option #13, 3-Pole	$f_{c13\_16}$	—	20,000	—	Hz	<a href="#">7.8.9.11</a>
10868	Cutoff Frequency, Filter Option #14, 2-Pole	$f_{c14\_16}$	—	120	—	Hz	<a href="#">7.8.9.11</a>
38364	Cutoff Frequency, Filter Option #15, 2-Pole	$f_{c15\_16}$	—	50	—	Hz	<a href="#">7.8.9.11</a>
<b>DSP Low-Pass Filters (Signal Chain Sample Time = 32 <math>\mu</math>s)</b>							
38378	Cutoff Frequency, Filter Option #0, and #2, 4-Pole	$f_{c0\_32}, f_{c2\_32}$	—	200	—	Hz	<a href="#">7.8.9.11</a>
38379	Cutoff Frequency, Filter Option #1, and #3, 3-Pole	$f_{c1\_32}, f_{c3\_32}$	—	200	—	Hz	<a href="#">7.8.9.11</a>
38380	Cutoff Frequency, Filter Option #4, 3-Pole	$f_{c4\_32}$	—	162.5	—	Hz	<a href="#">7.8.9.11</a>
38381	Cutoff Frequency, Filter Option #5, 2-Pole	$f_{c5\_32}$	—	185	—	Hz	<a href="#">7.8.9.11</a>
38382	Cutoff Frequency, Filter Option #6, 2-Pole	$f_{c6\_32}$	—	90	—	Hz	<a href="#">7.8.9.11</a>
38383	Cutoff Frequency, Filter Option #7, 2-Pole	$f_{c7\_32}$	—	50	—	Hz	<a href="#">7.8.9.11</a>
38384	Cutoff Frequency, Filter Option #8, 4-Pole	$f_{c8\_32}$	—	750	—	Hz	<a href="#">7.8.9.11</a>
38385	Cutoff Frequency, Filter Option #9, 3-Pole	$f_{c9\_32}$	—	250	—	Hz	<a href="#">7.8.9.11</a>
38386	Cutoff Frequency, Filter Option #10, 4-Pole	$f_{c10\_32}$	—	400	—	Hz	<a href="#">7.8.9.11</a>
38387	Cutoff Frequency, Filter Option #11, 4-Pole	$f_{c11\_32}$	—	600	—	Hz	<a href="#">7.8.9.11</a>
38388	Cutoff Frequency, Filter Option #12, 3-Pole	$f_{c12\_32}$	—	60	—	Hz	<a href="#">7.8.9.11</a>
	Cutoff Frequency, Filter Option #13, 2-Pole	$f_{c13\_32}$	—	10,000	—	Hz	<a href="#">7.8.9.11</a>
38389	Cutoff Frequency, Filter Option #14, 2-Pole	$f_{c14\_32}$	—	60	—	Hz	<a href="#">7.8.9.11</a>
38390	Cutoff Frequency, Filter Option #15, 4-Pole	$f_{c15\_32}$	—	25	—	Hz	<a href="#">7.8.9.11</a>
<b>DSP Low-Pass Filters (Signal Chain Sample Time = 64 <math>\mu</math>s)</b>							
38365	Cutoff Frequency, Filter Option #0, and #2, 4-Pole	$f_{c0\_64}, f_{c2\_64}$	—	100	—	Hz	<a href="#">7.8.9.11</a>
38366	Cutoff Frequency, Filter Option #1, and #3, 3-Pole	$f_{c1\_64}, f_{c3\_64}$	—	100	—	Hz	<a href="#">7.8.9.11</a>
38367	Cutoff Frequency, Filter Option #4, 3-Pole	$f_{c4\_64}$	—	81.25	—	Hz	<a href="#">7.8.9.11</a>
38368	Cutoff Frequency, Filter Option #5, 2-Pole	$f_{c5\_64}$	—	92.75	—	Hz	<a href="#">7.8.9.11</a>
38369	Cutoff Frequency, Filter Option #6, 2-Pole	$f_{c6\_64}$	—	45	—	Hz	<a href="#">7.8.9.11</a>
38370	Cutoff Frequency, Filter Option #7, 2-Pole	$f_{c7\_64}$	—	25	—	Hz	<a href="#">7.8.9.11</a>
38371	Cutoff Frequency, Filter Option #8, 4-Pole	$f_{c8\_64}$	—	375	—	Hz	<a href="#">7.8.9.11</a>
38372	Cutoff Frequency, Filter Option #9, 3-Pole	$f_{c9\_64}$	—	125	—	Hz	<a href="#">7.8.9.11</a>
38373	Cutoff Frequency, Filter Option #10, 4-Pole	$f_{c10\_64}$	—	200	—	Hz	<a href="#">7.8.9.11</a>
38374	Cutoff Frequency, Filter Option #11, 4-Pole	$f_{c11\_64}$	—	300	—	Hz	<a href="#">7.8.9.11</a>
38375	Cutoff Frequency, Filter Option #12, 3-Pole	$f_{c12\_64}$	—	30	—	Hz	<a href="#">7.8.9.11</a>
	Cutoff Frequency, Filter Option #13, 2-Pole	$f_{c13\_64}$	—	5,000	—	Hz	<a href="#">7.8.9.11</a>
38376	Cutoff Frequency, Filter Option #14, 2-Pole	$f_{c14\_64}$	—	30	—	Hz	<a href="#">7.8.9.11</a>
38377	Cutoff Frequency, Filter Option #15, 4-Pole	$f_{c15\_64}$	—	12.5	—	Hz	<a href="#">7.8.9.11</a>

10.16 Dynamic electrical characteristics - signal chain

Table 39. Dynamic electrical characteristics - signal chain

$V_{BUS\_I\_L\_min} \leq (V_{BUS\_I} - V_{SS}) \leq V_{BUS\_I\_H\_min}$ ,  $T_L \leq T_A \leq T_H$ ,  $\Delta T \leq 25$  °C/min, unless otherwise specified

#	Characteristic	Symbol	Min	Typ	Max	Units	Test notes
<b>Offset Cancellation Low-Pass Filter</b>							
10863	Sample Time, Phase 0	$t_{0CSAMP0}$	—	256	—	µs	Z.8
10874	Cutoff Frequency, Phase 0, 1-Pole	$f_{OC0}$	—	163.8	—	Hz	Z.8
10875	Time in Phase 0	$t_{OC0}$	—	4.096	—	ms	Z.8
<b>Offset Cancellation Low-Pass Filter</b>							
10888	Sample Time, Phase 1	$t_{0CSAMP1}$	—	256	—	µs	Z.8
10889	Cutoff Frequency, Phase 1, 1-Pole	$f_{OC1}$	—	40.96	—	Hz	Z.8
10890	Time in Phase 1	$t_{OC1}$	—	4.096	—	ms	Z.8
<b>Offset Cancellation Low-Pass Filter</b>							
10885	Sample Time, Phase 2	$t_{0CSAMP2}$	—	256	—	µs	Z.8
10886	Cutoff Frequency, Phase 2, 1-Pole	$f_{OC2}$	—	10.24	—	Hz	Z.8
10887	Time in Phase 2	$t_{OC2}$	—	16.388	—	ms	Z.8
<b>Offset Cancellation Low-Pass Filter</b>							
10900	Sample Time, Phase 3	$t_{0CSAMP3}$	—	256	—	µs	Z.8
10901	Cutoff Frequency, Phase 3, 1-Pole	$f_{OC3}$	—	2.560	—	Hz	Z.8
10902	Time in Phase 3	$t_{OC3}$	—	65.53	—	ms	Z.8
<b>Offset Cancellation Low-Pass Filter</b>							
10897	Sample Time, Phase 4	$t_{0CSAMP4}$	—	256	—	µs	Z.8
10898	Cutoff Frequency, Phase 4, 1-Pole	$f_{OC4}$	—	0.6400	—	Hz	Z.8
10899	Time in Phase 4	$t_{OC4}$	—	262.19	—	ms	Z.8
<b>Offset Cancellation Low-Pass Filter</b>							
10894	Sample Time, Phase 5	$t_{0CSAMP5}$	—	256	—	µs	Z.8
10895	Cutoff Frequency, Phase 5, 1-Pole	$f_{OC5}$	—	0.1600	—	Hz	Z.8
10896	Time in Phase 5	$t_{OC5}$	—	1049	—	ms	Z.8
<b>Offset Cancellation Low-Pass Filter</b>							
39811	Sample Time, Phase 6a	$t_{0CSAMP6a}$	—	256	—	µs	Z.8
39812	Cutoff Frequency, Phase 6a, 1-Pole	$f_{OC6a}$	—	0.0400	—	Hz	Z.8
<b>Offset Cancellation Low-Pass Filter</b>							
39813	Sample Time, Phase 6b	$t_{0CSAMP6b}$	—	1024	—	µs	Z.8
39814	Cutoff Frequency, Phase 6b, 1-Pole	$f_{OC6b}$	—	0.005	—	Hz	Z.8
<b>Offset Cancellation Output Rate Limiting (0.04 Hz Offset LPF only)</b>							
10882	Rate Limiting Output Update Time	$t_{RL\_Rate}$	—	2	—	s	Z.8, 9
10903	Rate Limiting Output Step Size (10 bit)	OFF <sub>Step10</sub>	—	0.5	—	LSB	Z.8, 9
	Rate Limiting Output Step Size (16 bit, PSI5, SPI)	OFF <sub>Step16</sub>	—	32	—	LSB	Z.8

**Table 39. Dynamic electrical characteristics - signal chain...continued**

$V_{BUS\_I\_L\_min} \leq (V_{BUS\_I} - V_{SS}) \leq V_{BUS\_I\_H\_min}$ ,  $T_L \leq T_A \leq T_H$ ,  $\Delta T \leq 25$  °C/min, unless otherwise specified

#	Characteristic	Symbol	Min	Typ	Max	Units	Test notes
<b>Offset Monitor</b>							
10883	Update Rate	OFFMON <sub>OSC</sub>	—	0.5	—	ms	Z.8
10905	Count Limit	OFFMON <sub>CNTLIMIT</sub>	—	4096	—	1	Z.8
10904	Counter Size	OFFMON <sub>CNTSIZE</sub>	—	8192	—	1	Z.8
10881	Signal Delay (Sinc Filter to Output Delay, excluding LPF)	t <sub>SigDelay</sub>	—	—	128	µs	Z.8
<b>Interpolation</b>							
20923	t <sub>SigChain</sub> = t <sub>SigChain00</sub> , t <sub>SigChain01</sub>	t <sub>INTERP_00_01</sub>	—	1	—	µs	Z.8
20922	t <sub>SigChain</sub> = t <sub>SigChain02</sub>	t <sub>INTERP_02</sub>	—	2	—	µs	Z.8
20921	t <sub>SigChain</sub> = t <sub>SigChain03</sub>	t <sub>INTERP_03</sub>	—	4	—	µs	Z.8
10877	Interpolation Latency	t <sub>LAT_INTERP</sub>	—	t <sub>SigChainxx</sub>	—	s	Z.8

### 10.17 Dynamic electrical characteristics - analog self-test response time

**Table 40. Dynamic electrical characteristics - analog self-test response time**

$V_{BUS\_I\_L\_min} \leq (V_{BUS\_I} - V_{SS}) \leq V_{BUS\_I\_H\_min}$ ,  $T_L \leq T_A \leq T_H$ ,  $\Delta T \leq 25$  °C/min, unless otherwise specified

#	Characteristic	Symbol	Min	Typ	Max	Units	Test notes
<b>Medium g, Lateral</b>							
<b>Self-test Response Time: Self-test Activation/Deactivation to 99 %/1 % g<sub>ST</sub></b>							
10878	Medium g Lateral, LPF = 800 Hz, 4-Pole	t <sub>ST_Resp_MedX_800_4</sub>	750	795	1020	µs	Z.8
44634	Medium g Lateral, LPF = 1500 Hz, 4-Pole	t <sub>ST_Resp_MedX_1500_4</sub>	395	415	725	µs	Z.8
<b>Self-test Response Time: Self-test Activation/Deactivation to 99 % / 1 % g<sub>ST</sub></b>							
38147	Medium g Lateral, LPF = 400 Hz, 4-Pole	t <sub>ST_Resp_MedX_400_4</sub>	1510	1590	1810	µs	Z.8
38151	Medium g Lateral, LPF = 400 Hz, 3-Pole	t <sub>ST_Resp_MedX_400_3</sub>	1420	1490	1710	µs	Z.8
38150	Medium g Lateral, LPF = 180 Hz, 2-Pole	t <sub>ST_Resp_MedX_180_2</sub>	3030	3190	3470	µs	Z.8
<b>Self-test Response Time: Self-test Activation/Deactivation to 99 % / 1 % g<sub>ST</sub></b>							
38149	Medium g Lateral, LPF = 300 Hz, 4-Pole	t <sub>ST_Resp_MedX_300_4</sub>	2010	2120	2360	µs	Z.8
<b>Self-test Response Time: Self-test Activation/Deactivation to 99 % / 1 % g<sub>ST</sub></b>							
38148	Medium g Lateral, LPF = 188 Hz, 4-Pole	t <sub>ST_Resp_MedX_188_4</sub>	3210	3380	3680	µs	Z.8
<b>High g, Lateral</b>							
<b>Self-test Response Time: Self-test Activation/Deactivation to 99 % / 1 % g<sub>ST</sub></b>							
38152	High g Lateral, LPF = 800 Hz, 4-Pole	t <sub>ST_Resp_HiX_800_4</sub>	750	795	892	µs	Z.8
44636	High g Lateral, LPF = 1500 Hz, 4-Pole	t <sub>ST_Resp_HiX_1500_4</sub>	395	415	490	µs	Z.8
<b>Self-test Response Time: Self-test Activation/Deactivation to 99 % / 1 % g<sub>ST</sub></b>							
38153	High g Lateral, LPF = 400 Hz, 4-Pole	t <sub>ST_Resp_HiX_400_4</sub>	1510	1590	1720	µs	Z.8
38154	High g Lateral, LPF = 400 Hz, 3-Pole	t <sub>ST_Resp_HiX_400_3</sub>	1420	1490	1620	µs	Z.8
38155	High g Lateral, LPF = 180 Hz, 2-Pole	t <sub>ST_Resp_HiX_180_2</sub>	3030	3190	3400	µs	Z.8
<b>Self-test Response Time: Self-test Activation/Deactivation to 99 % / 1 % g<sub>ST</sub></b>							
38156	High g Lateral, LPF = 300 Hz, 4-Pole	t <sub>ST_Resp_HiX_300_4</sub>	2010	2120	2280	µs	Z.8

**Table 40. Dynamic electrical characteristics - analog self-test response time...continued**

$V_{BUS\_I\_L\_min} \leq (V_{BUS\_I} - V_{SS}) \leq V_{BUS\_I\_H\_min}$ ,  $T_L \leq T_A \leq T_H$ ,  $\Delta T \leq 25$  °C/min, unless otherwise specified

#	Characteristic	Symbol	Min	Typ	Max	Units	Test notes
<b>Self-test Response Time: Self-test Activation/Deactivation to 99 % / 1 % g<sub>ST</sub></b>							
38157	High g Lateral, LPF = 188 Hz, 4-Pole	t <sub>ST_Resp_HiX_188_4</sub>	3210	3380	3600	µs	Z.8
<b>Medium g, Z-Axis</b>							
<b>Self-test Response Time: Self-test Activation/Deactivation to 99 % / 1 % g<sub>ST</sub></b>							
38158	Medium g Z-Axis, LPF = 800 Hz, 4-Pole	t <sub>ST_Resp_MedZ_800_4</sub>	750	795	1010	µs	Z.8
44637	Medium g Z-Axis, LPF = 1500 Hz, 4-Pole	t <sub>ST_Resp_MedZ_1500_4</sub>	395	415	710	µs	Z.8
<b>Self-test Response Time: Self-test Activation/Deactivation to 99 % / 1 % g<sub>ST</sub></b>							
38159	Medium g Z-Axis, LPF = 400 Hz, 4-Pole	t <sub>ST_Resp_MedZ_400_4</sub>	1510	1590	1810	µs	Z.8
38160	Medium g Z-Axis, LPF = 400 Hz, 3-Pole	t <sub>ST_Resp_MedZ_400_3</sub>	1420	1490	1700	µs	Z.8
38161	Medium g Z-Axis, LPF = 180 Hz, 2-Pole	t <sub>ST_Resp_MedZ_180_2</sub>	3030	3190	3470	µs	Z.8
<b>Self-test Response Time: Self-test Activation/Deactivation to 99 % / 1 % g<sub>ST</sub></b>							
38162	Medium g Z-Axis, LPF = 300 Hz, 4-Pole	t <sub>ST_Resp_MedZ_300_4</sub>	2010	2120	2360	µs	Z.8
<b>Self-test Response Time: Self-test Activation/Deactivation to 99 % / 1 % g<sub>ST</sub></b>							
38163	Medium g Z-Axis, LPF = 188 Hz, 4-Pole	t <sub>ST_Resp_MedZ_188_4</sub>	3210	3380	3680	µs	Z.8
<b>High g, Z-Axis</b>							
<b>Self-test Response Time: Self-test Activation/Deactivation to 99 % / 1 % g<sub>ST</sub></b>							
38164	High g Z-Axis, LPF = 800 Hz, 4-Pole	t <sub>ST_Resp_HiZ_800_4</sub>	750	795	994	µs	Z.8
44638	High g Z-Axis, LPF = 1500 Hz, 4-Pole	t <sub>ST_Resp_HiZ_1500_4</sub>	395	415	675	µs	Z.8
<b>Self-test Response Time: Self-test Activation/Deactivation to 99 % / 1 % g<sub>ST</sub></b>							
38165	High g Z-Axis, LPF = 400 Hz, 4-Pole	t <sub>ST_Resp_HiZ_400_4</sub>	1510	1590	1800	µs	Z.8
38166	High g Z-Axis, LPF = 400 Hz, 3-Pole	t <sub>ST_Resp_HiZ_400_3</sub>	1420	1490	1690	µs	Z.8
38167	High g Z-Axis, LPF = 180 Hz, 2-Pole	t <sub>ST_Resp_HiZ_180_2</sub>	3030	3190	3470	µs	Z.8
<b>Self-test Response Time: Self-test Activation/Deactivation to 99 % / 1 % g<sub>ST</sub></b>							
38168	High g Z-Axis, LPF = 300 Hz, 4-Pole	t <sub>ST_Resp_HiZ_300_4</sub>	2010	2120	2360	µs	Z.8
<b>Self-test Response Time: Self-test Activation/Deactivation to 99 % / 1 % g<sub>ST</sub></b>							
38169	High g Z-Axis, LPF = 188 Hz, 4-Pole	t <sub>ST_Resp_HiZ_188_4</sub>	3210	3380	3680	µs	Z.8

## 10.18 Dynamic electrical characteristics - digital self-test response time

**Table 41. Dynamic electrical characteristics - digital self-test response time**

$V_{BUS\_I\_L\_min} \leq (V_{BUS\_I} - V_{SS}) \leq V_{BUS\_I\_H\_min}$ ,  $T_L \leq T_A \leq T_H$ ,  $\Delta T \leq 25$  °C/min, unless otherwise specified

#	Characteristic	Symbol	Min	Typ	Max	Units	Test notes
<b>Self-test Response Time: Self-test Activation/Deactivation to Final Value</b>							
44639	LPF ≤ 60 Hz	t <sub>DST_Resp_50</sub>	—	—	50	ms	Z.8
<b>Self-test Response Time: Self-test Activation/Deactivation to Final Value</b>							
44641	60 Hz ≤ LPF ≤ 200 Hz	t <sub>DST_Resp_100</sub>	—	—	25	ms	Z.8
<b>Self-test Response Time: Self-test Activation/Deactivation to Final Value</b>							
44640	300 Hz ≤ LPF ≤ 1500 Hz	t <sub>DST_Resp_400</sub>	—	—	12	ms	Z.8
38176	Fixed Pattern Response Time: Self-test Activation/Deactivation	t <sub>ST_FP_Resp</sub>	—	—	100	µs	Z.8

### 10.19 Dynamic electrical characteristics - transducer

**Table 42. Dynamic electrical characteristics - transducer**

$V_{BUS\_I\_L\_min} \leq (V_{BUS\_I} - V_{SS}) \leq V_{BUS\_I\_H\_min}$ ,  $T_L \leq T_A \leq T_H$ ,  $\Delta T \leq 25\text{ }^\circ\text{C/min}$ , unless otherwise specified

#	Characteristic	Symbol	Min	Typ	Max	Units	Test notes
<b>Lateral Transducer Rolloff Frequency (-3 db)</b>							
10917	Medium g	$f_{gcell\_3dB\_mid}$	1500	2500	4500	Hz	Z
10915	High g	$f_{gcell\_3dB\_hi}$	4000	7000	13000	Hz	Z
<b>Lateral Transducer Delay (@100 Hz)</b>							
10921	Medium g	$f_{gcell\_delay100\_mid}$	—	—	250	$\mu\text{s}$	Z
10919	High g	$f_{gcell\_delay100\_hi}$	—	—	250	$\mu\text{s}$	Z
<b>Z-Axis Transducer Rolloff Frequency (-3 db)</b>							
10923	Medium g	$f_{gcell\_3dB\_mid}$	1500	2500	4500	Hz	Z
10925	High g	$f_{gcell\_3dB\_hi}$	1500	2500	7500	Hz	Z
<b>Z-Axis Transducer Delay (@100 Hz)</b>							
10927	Medium g	$f_{gcell\_delay100\_mid}$	—	—	250	$\mu\text{s}$	Z
10929	High g	$f_{gcell\_delay100\_hi}$	—	—	250	$\mu\text{s}$	Z
10912	Package Resonance Frequency	$f_{Package}$	100	—	—	kHz	Z

### 10.20 Dynamic electrical characteristics - supply and support circuitry

**Table 43. Dynamic electrical characteristics - supply and support circuitry**

$V_{BUS\_I\_L\_min} \leq (V_{BUS\_I} - V_{SS}) \leq V_{BUS\_I\_H\_min}$ ,  $T_L \leq T_A \leq T_H$ ,  $\Delta T \leq 25\text{ }^\circ\text{C/min}$ , unless otherwise specified

#	Characteristic	Symbol	Min	Typ	Max	Units	Test notes
<b>Reset Recovery (All Modes, excluding <math>V_{BUS\_I}</math> voltage ramp time)</b>							
10930	VCC = VCCMIN to POR Release	$t_{VCC\_POR}$	—	—	1	ms	Z.8.9
10939	POR to first DSI Command (Section 12.1)	$t_{POR\_DSI}$	—	—	6	ms	Z.8.9
10938	POR to PSi5 Initialization Phase 1 Start (Section 13.4)	$t_{POR\_PSi5}$	—	—	6	ms	Z.8
10937	POR to first SPI Command	$t_{POR\_SPI}$	0.400	—	0.700	ms	Z.8.9
10936	POR to Sensor Data Valid	$t_{POR\_DataValid}$	—	—	30	ms	Z.8.9
10935	DSP Setting Change to Sensor Data Valid: DS3, SPI, I <sup>2</sup> C	$t_{RANGE\_DataValid}$	—	—	6	ms	Z.8.9
<b>Soft Reset Activation Time</b>							
10934	SPI: SS_B high to Reset	$t_{SOFT\_RESET\_SPI}$	—	—	700	ns	Z.8
30152	I <sup>2</sup> C: Command Complete to Reset (No ACK follows)	$t_{SOFT\_RESET\_I2C}$	—	—	700	ns	Z.8
30151	DSi3: Command/Response Complete to Reset	$t_{SOFT\_RESET\_DSI}$	—	—	11	$\mu\text{s}$	Z.8
41495	PSi5: Command/Response Complete to Reset	$t_{SOFT\_RESET\_PSI}$	—	—	120	$\mu\text{s}$	Z.8
<b>Internal Oscillator Period</b>							
10933	Untrained	$f_{OSC}$	9.560	10.000	10.440	MHz	1.Z.8.9
10940	With Oscillator Training	$f_{OSC\_TRAIN}$	9.900	10.000	10.100	MHz	Z.8.9

**Table 43. Dynamic electrical characteristics - supply and support circuitry...continued**

$V_{BUS\_I\_L\_min} \leq (V_{BUS\_I} - V_{SS}) \leq V_{BUS\_I\_H\_min}$ ,  $T_L \leq T_A \leq T_H$ ,  $\Delta T \leq 25 \text{ }^\circ\text{C/min}$ , unless otherwise specified

#	Characteristic	Symbol	Min	Typ	Max	Units	Test notes
<b>Oscillator Training (Section 11.5.1)</b>							
10932	Oscillator Training Time	$t_{OscTrain}$	—	4	—	ms	Z.8
10942	Oscillator Cycles in Training Time	$n_{OSC\_4ms\_TYP}$	—	40000	—	$1/f_{OSC}$	Z.8
10944	Oscillator Training Window	$OscTrain_{WIN}$	38000	—	42000	$1/f_{OSC}$	Z.8
10943	Oscillator Training Adjustment Threshold	$OscTrain_{ADJ}$	-400	—	400	$1/f_{OSC}$	Z.8
10941	Oscillator Training Step Size	$OscTrain_{RES}$	—	250	—	$1/f_{OSC}$	Z.8
10946	Quiescent Current Settling Time (Power Applied to $I_q = I_{IDLE} \pm 2 \text{ mA}$ )	$t_{SET}$	—	—	4	ms	Z.9
<b>BUS_I Micro-cut</b>							
10931	Survival Time (BUS_I disconnect without Reset, $C_{BUF}=1 \text{ }\mu\text{F}$ , Bus with 1 slave)	$t_{BUS\_I\_MICROCUT}$	30	—	—	$\mu\text{s}$	Z.9
10952	Reset Time (BUS_I disconnect time to Reset, $C_{BUF}=1 \text{ }\mu\text{F}$ , Bus with 1 slave)	$t_{BUS\_I\_RESET}$	—	—	1000	$\mu\text{s}$	Z.9
10953	Survival Time (BUS_I disconnect without Reset, $C_{BUF}=470 \text{ nF}$ , Bus with 1 slave)	$t_{BUS\_I\_MICROCUT}$	15	—	—	$\mu\text{s}$	Z.9
10954	Reset Time (BUS_I disconnect time to Reset, $C_{BUF}=470 \text{ nF}$ , Bus with 1 slave)	$t_{BUS\_I\_RESET}$	—	—	1000	$\mu\text{s}$	Z.9
<b>BUS_I Undervoltage Detection Delay</b>							
10947	$BUS\_I < V_{BUS\_I\_UV\_F}$ to $I_{RESP}$ Deactivation	$t_{BUS\_I\_POR}$	—	—	5	$\mu\text{s}$	Z
<b>V<sub>BUF</sub> Undervoltage Detection Delay</b>							
10958	$V_{BUF} < V_{BUF\_UV\_F}$ to $I_{RESP}$ Deactivation	$t_{VBUF\_POR}$	—	—	5	$\mu\text{s}$	Z
10957	Undervoltage/Overvoltage Recovery Delay	$t_{UVOV\_RCV}$	—	100	—	$\mu\text{s}$	Z
<b>V<sub>BUF</sub> Capacitor Monitor</b>							
36817	DSI Command Start to Capacitor Test	$t_{D\_CAPTEST}$	—	3.0	—	$\mu\text{s}$	Z
36821	PSI5 Synchronous Command Start to Capacitor Test	$t_{P\_CAPTEST}$	—	9.2	—	$\mu\text{s}$	Z
36823	PSI5 Asynchronous Response Start to Capacitor Test	$t_{A\_CAPTEST}$	—	179.2	—	$\mu\text{s}$	Z
36822	Capacitor Test Disconnect Time	$t_{CAPTST\_TIME}$	—	1	—	$\mu\text{s}$	Z

## 11 Functional description

### 11.1 User accessible data array

A user accessible data array allows for each device to be customized. The array consists of an OTP factory programmable block, an OTP user programmable block, and read-only registers for data and device status. The OTP blocks incorporate independent data verification.

#### 11.1.1 User accessible data - general device information

**Table 44. User accessible data - general device information**

Type	Address	Register	Bit							
			7	6	5	4	3	2	1	0
R	\$00	COUNT	COUNT[7:0]							
R	\$01	DEVSTAT	CH0_ERR	CH1_ERR	COMM_ERR	MEMTEMP_ERR	SUPPLY_ERR	TESTMODE	DEVRES	DEVINIT
R	\$02	DEVSTAT1	VBUFUV_ERR	BUSINUV_ERR	VBUFOV_ERR	RESERVED	INTREGA_ERR	INTREG_ERR	INTREGF_ERR	CONT_ERR
R	\$03	DEVSTAT2	F_OTP_ERR	U_OTP_ERR	U_RW_ERR	U_W_ACTIVE	TEMP1_ERR	TEMP0_ERR	RESERVED	RESERVED

Table 44. User accessible data - general device information...continued

			Bit							
Type	Address	Register	7	6	5	4	3	2	1	0
R	\$04	DEVSTAT3	MISO_ERR	OSCTRAIN_ERR	RESERVED	RESERVED	RESERVED	RESERVED	RESERVED	RESERVED
R	\$05	COMMREV	0	0	0	0	COMMREV[3:0]			
R	\$06	MREAD_STAT	RESERVED	RESERVED	RESERVED	RESERVED	RESERVED	RESERVED	MARGIN_RD_ACT	MARGIN_RD_ERR
R	\$07 - \$0D	RESERVED	RESERVED							
R	\$0E	TEMPERATURE	TEMP[7:0]							
R	\$0F	RESERVED	RESERVED							

### 11.1.2 User accessible data - communication information

Table 45. User accessible data - communication information

			Bit							
Type <sup>[1]</sup>	Address	Register	7	6	5	4	3	2	1	0
R/W	\$10	DEVLOCK_WR	ENDINIT	RESERVED	RESERVED	RESERVED	SUP_ERR_DIS	RESERVED	RESET[1:0]	
R/W	\$11	WRITE_OTP_EN	UOTP_WR_INIT	MARGIN_RD_EN	RESERVED	RESERVED	EX_COMMTYPE	EX_PADDR	UOTP_REGION[1:0]	
R/W	\$12	BUSSW_CTRL	RESERVED	RESERVED	RESERVED	RESERVED	RESERVED	RESERVED	BUSSW_CTRL[1:0]	
R/W	\$13	PSI5_TEST	RESERVED	RESERVED	RESERVED	RESERVED	RESERVED	RESERVED	RESERVED	PSI5_TEST
R/W	\$14	UF_REGION_W	REGION_LOAD[3:0]				0	0	0	0
R	\$15	UF_REGION_R	REGION_ACTIVE[3:0]				0	0	0	0
UF2	\$16	COMMTYPE	RESERVED	RESERVED	RESERVED	RESERVED	RESERVED	COMMTYPE[2:0]		
UF2	\$17	RESERVED	RESERVED							
UF2	\$18	PHYSADDR	0	0	0	0	PADDR[3:0]			
UF2	\$19	RESERVED	RESERVED							
UF2	\$1A	SOURCEID_0	SID0_EN	PDCMFORMAT[2:0]			SOURCEID_0[3:0]			
UF2	\$1B	SOURCEID_1	SID1_EN	RESERVED	RESERVED	RESERVED	SOURCEID_1[3:0]			
UF2	\$1C	SOURCEID_2	SID2_EN	RESERVED	RESERVED	RESERVED	SOURCEID_2[3:0]			
UF2	\$1D	SOURCEID_3	SID3_EN	RESERVED	RESERVED	RESERVED	SOURCEID_3[3:0]			
UF2	\$1E - \$21	RESERVED	RESERVED							
UF2	\$22	TIMING_CFG	PDCM_PER[2:0]			OSCTRAIN_SEL	CK_CAL_RST	CRM_PER[1:0]		CK_CAL_EN
UF2	\$23	CHIPTIME	ST_RPT[1:0]		PSI5_ERRLATCH	SS_EN	CHIPTIME[3:0]			
UF2	\$24	TIMING_CFG2	PSI5_INIT2_D19	OSCTRAIN_ERRCNT[2:0]			CAPTEST_OFF	RESERVED	BDM_FRAGSIZE	BDM_EN
UF2	\$25	PSI5_CFG	SYNC_PD	DAISY_CHAIN	PSI5_ILOW	DUALTRANS	EMSG_EXT	P_CRC	INIT2_EXT	ASYNC
UF2	\$26	PDCM_RSPST0_L	PDCM_RSPST0[7:0]							
UF2	\$27	PDCM_RSPST0_H	BRC_RSP0[1:0]		RESERVED	PDCM_RSPST0[12:8]				
UF2	\$28	PDCM_RSPST1_L	PDCM_RSPST1[7:0]							
UF2	\$29	PDCM_RSPST1_H	BRC_RSP1[1:0]		RESERVED	PDCM_RSPST1[12:8]				
UF2	\$2A	PDCM_RSPST2_L	PDCM_RSPST2[7:0]							
UF2	\$2B	PDCM_RSPST2_H	BRC_RSP2[1:0]		RESERVED	PDCM_RSPST2[12:8]				
UF2	\$2C	PDCM_RSPST3_L	PDCM_RSPST3[7:0]							
UF2	\$2D	PDCM_RSPST3_H	BRC_RSP3[1:0]		RESERVED	PDCM_RSPST3[12:8]				
UF2	\$2E - \$37	RESERVED	RESERVED							
UF2	\$38	PDCM_CMD_B_L	PDCM_CMD_B[7:0]							
UF2	\$39	PDCM_CMD_B_H	RESERVED	RESERVED	RESERVED	PDCM_CMD_B[12:8]				

Table 45. User accessible data - communication information...continued

		Bit									
Type <sup>[1]</sup>	Address	Register	7	6	5	4	3	2	1	0	
UF2	\$3A - \$3C	RESERVED	RESERVED								
UF2	\$3D	SPI_CFG	SPI_STATUS	DATASIZE	SPI_CRC_LEN[1:0]		SPICRCSEED[3:0]				
UF2	\$3E	WHO_AM_I	WHO_AM_I[7:0]								
UF2	\$3F	I2C_ADDRESS	I2C_ADDRESS[7:0]								

[1] Memory Type Codes

- R - Readable Register with No OTP
- F - User Readable Register with OTP
- UF0 - One Time User Programmable OTP Location Region 0
- UF1 - One Time User Programmable OTP Location Region 1
- UF2 - One Time User Programmable OTP Location Region 2
- R/W - User Writable Register

### 11.1.3 User accessible data - sensor specific information

Table 46. User accessible data - sensor specific information

		Bit									
Type <sup>[1]</sup>	Address	Register	7	6	5	4	3	2	1	0	
UF2	\$40	CH0_CFG_U1	LPF[3:0]			SAMPLERATE[1:0]		USER_SNS_SHIFT[1:0]			
UF2	\$41	CH0_CFG_U2	U_SNS_MULT[7:0]								
UF2	\$42	CH0_CFG_U3	UNSIGN EDDATA	DATATYPE0[1:0]		DATATYPE1[2:0]		MOVEAVG[1:0]			
UF2	\$43	CH0_CFG_U4	RESET_OC	INVERT	OC_FILTER[1:0]		PCM	ARM_CFG[2:0]			
UF2	\$44	CH0_CFG_U5	ST_CTRL[3:0]			OC_LIMIT[2:0]		DSP_DIS			
UF2	\$45	CH0_ARM_CFG	ARM_DS[1:0]		ARM_PS[1:0]		ARM_WS_N[1:0]		ARM_WS_P[1:0]		
UF2	\$46	CH0_ARM_T_P	ARM_T_P[7:0]								
UF2	\$47	CH0_ARM_T_N	ARM_T_N[7:0]								
UF2	\$48	CH1_CFG_U1	LPF[3:0]			SAMPLERATE[1:0]		USER_SNS_SHIFT[1:0]			
UF2	\$49	CH1_CFG_U2	U_SNS_MULT[7:0]								
UF2	\$4A	CH1_CFG_U3	UNSIGN EDDATA	DATATYPE0[1:0]		DATATYPE1[2:0]		MOVEAVG[1:0]			
UF2	\$4B	CH1_CFG_U4	RESET_OC	INVERT	OC_FILTER[1:0]		PCM	ARM_CFG[2:0]			
UF2	\$4C	CH1_CFG_U5	ST_CTRL[3:0]			OC_LIMIT[2:0]		DSP_DIS			
UF2	\$4D	CH1_ARM_CFG	ARM_DS[1:0]		ARM_PS[1:0]		ARM_WS_N[1:0]		ARM_WS_P[1:0]		
UF2	\$4E	CH1_ARM_T_P	ARM_T_P[7:0]								
UF2	\$4F	CH1_ARM_T_N	ARM_T_N[7:0]								
UF2	\$50	OC_PHASE_CFG	CH0_OCFINAL	CH1_OCFINAL	RESERVED	RESERVED	RESERVED	RESERVED	RESERVED	RESERVED	
UF2	\$51-\$54	RESERVED	RESERVED								
UF2	\$55	CH0_U_OFFSET_L	CH0_U_OFFSET[7:0]								
UF2	\$56	CH0_U_OFFSET_H	CH0_U_OFFSET[15:8]								
UF2	\$57-\$5C	RESERVED	RESERVED								
UF2	\$5D	CH1_U_OFFSET_L	CH1_U_OFFSET[7:0]								
UF2	\$5E	CH1_U_OFFSET_H	CH1_U_OFFSET[15:8]								
F	\$5F	CRC_UF2	LOCK_UF2	0	0	0	CRC_UF2[3:0]				
R	\$60	CH0_STAT	SIGNALCLIP	OCPHASE[2:0]			ST_INCMPLT	ST_ACTIVE	OFFSET_ERR	ST_ERROR	
R	\$61	DEVSTAT_COPY	CH0_ERR	CH1_ERR	COMM_ERR	MEMTEMP_ERR	SUPPLY_ERR	TESTMODE	DEVRES	DEVINIT	
R	\$62	CH0_SNCDATA0_L	CH0_SNCDATA0[7:0]								



**Table 46. User accessible data - sensor specific information...continued**

Type <sup>[1]</sup>	Address	Register	Bit							
			7	6	5	4	3	2	1	0
R	\$63	CH0_SNSDATA0_H	CH0_SNSDATA0[15:8]							
R	\$64	CH0_SNSDATA1_L	CH0_SNSDATA1[7:0]							
R	\$65	CH0_SNSDATA1_H	CH0_SNSDATA1[15:8]							
R	\$66-\$6F	RESERVED	RESERVED							
R	\$70	CH1_STAT	SIGNALCLIP	OCPHASE[2:0]			ST_INCMPLT	ST_ACTIVE	OFFSET_ERR	ST_ERROR
R	\$71	RESERVED	RESERVED							
R	\$72	CH1_SNSDATA0_L	CH1_SNSDATA0[7:0]							
R	\$73	CH1_SNSDATA0_H	CH1_SNSDATA0[15:8]							
R	\$74	CH1_SNSDATA1_L	CH1_SNSDATA1[7:0]							
R	\$75	CH1_SNSDATA1_H	CH1_SNSDATA1[15:8]							
R	\$76-\$9F	RESERVED	RESERVED							

[1] Memory Type Codes

- R - Readable Register with No OTP
- F - User Readable Register with OTP
- UF0 - One Time User Programmable OTP Location Region 0
- UF1 - One Time User Programmable OTP Location Region 1
- UF2 - One Time User Programmable OTP Location Region 2
- R/W - User Writable Register

**11.1.4 User accessible data - sensor specific information**

**Table 47. User accessible data - sensor specific information**

Type <sup>[1]</sup>	Address	Register	Bit							
			7	6	5	4	3	2	1	0
F	\$A0	CH0_CFG_F	DEV_RANGE[3:0]			RESERVED		RESERVED	AXIS[1:0]	
F	\$A1	RESERVED	RESERVED							
F	\$A2	CH0_STL_P_L	CH0_STL_P[7:0]							
F	\$A3	CH0_STL_P_H	CH0_STL_P[15:8]							
F	\$A4	CH0_STH_P_L	CH0_STH_P[7:0]							
F	\$A5	CH0_STH_P_H	CH0_STH_P[15:8]							
F	\$A6	CH0_STL_N_L	CH0_STL_N[7:0]							
F	\$A7	CH0_STL_N_H	CH0_STL_N[15:8]							
F	\$A8	CH0_STH_N_L	CH0_STH_N[7:0]							
F	\$A9	CH0_STH_N_H	CH0_STH_N[15:8]							
F	\$AA-\$AE	RESERVED	RESERVED							
F	\$AF	CRC_F_A	LOCK_F_A	REGA_BLOCKID[2:0]			CRC_F_A[3:0]			
F	\$B0	CH1_CFG_F	DEV_RANGE[3:0]			RESERVED		RESERVED	AXIS[1:0]	
F	\$B1	RESERVED	RESERVED							
F	\$B2	CH1_STL_P_L	CH1_STL_P[7:0]							
F	\$B3	CH1_STL_P_H	CH1_STL_P[15:8]							
F	\$B4	CH1_STH_P_L	CH1_STH_P[7:0]							
F	\$B5	CH1_STH_P_H	CH1_STH_P[15:8]							
F	\$B6	CH1_STL_N_L	CH1_STL_N[7:0]							
F	\$B7	CH1_STL_N_H	CH1_STL_N[15:8]							
F	\$B8	CH1_STH_N_L	CH1_STH_N[7:0]							
F	\$B9	CH1_STH_N_H	CH1_STH_N[15:8]							

**Table 47. User accessible data - sensor specific information...continued**

Type <sup>[1]</sup>	Address	Register	Bit							
			7	6	5	4	3	2	1	0
F	\$BA-\$BE	RESERVED	RESERVED							
F	\$BF	CRC_F_B	LOCK_F_B	REGB_BLOCKID[2:0]			CRC_F_B[3:0]			

[1] Memory Type Codes

- R - Readable Register with No OTP
- F – User Readable Register with OTP
- UF0 – One Time User Programmable OTP Location Region 0
- UF1 – One Time User Programmable OTP Location Region 1
- UF2 – One Time User Programmable OTP Location Region 2
- R/W – User Writable Register

### 11.1.5 User accessible data - traceability information

**Table 48. User accessible data - traceability information**

Type <sup>[1]</sup>	Address	Register	Bit							
			7	6	5	4	3	2	1	0
F	\$C0	ICTYPEID	ICTYPEID[7:0]							
F	\$C1	ICREVID	ICREVID[7:0]							
F	\$C2	ICMFGID	ICMFGID[7:0]							
F	\$C3	RESERVED	RESERVED							
F	\$C4	PN0	PN0[7:0]							
F	\$C5	PN1	PN1[7:0]							
F	\$C6	SN0	SN[7:0]							
F	\$C7	SN1	SN[15:8]							
F	\$C8	SN2	SN[23:16]							
F	\$C9	SN3	SN[31:24]							
F	\$CA	SN4	SN[39:36] = DEVICE_REV[3:0]				SN[35:32]			
F	\$CB	ASICWFR#	ASICWFR#[7:0]							
F	\$CC	ASICWFR_X	ASICWFR_X[7:0]							
F	\$CD	ASICWFR_Y	ASICWFR_Y[7:0]							
F	\$CE	RESERVED	RESERVED							
F	\$CF	CRC_F_C	LOCK_F_C	REGC_BLOCKID[2:0]			CRC_F_C[3:0]			
F	\$D0	ASICWLOT_L	ASICWLOT_L[7:0]							
F	\$D1	ASICWLOT_H	ASICWLOT_H[7:0]							
F	\$D2	TRNS1WFR_X	TRNS1WFR_X[7:0]							
F	\$D3	TRNS1WFR_Y	TRNS1WFR_Y[7:0]							
F	\$D4	TRNS1LOT_L	TRNS1LOT_L[7:0]							
F	\$D5	TRNS1LOT_H	TRNS1LOT_H[7:0]							
F	\$D6-\$D9	RESERVED	RESERVED							
F	\$DA	TRNS1WFR#	TRNS_ASSY_REV[2:0]				TRNS1WFR#[4:0]			
F	\$DB-\$DE	RESERVED	RESERVED							
F	\$DF	CRC_F_D	LOCK_F_D	REGD_BLOCKID[2:0]			CRC_F_D[3:0]			
UF0	\$E0	USERDATA_0	USERDATA_0[7:0]							
UF0	\$E1	USERDATA_1	USERDATA_1[7:0]							
UF0	\$E2	USERDATA_2	USERDATA_2[7:0]							
UF0	\$E3	USERDATA_3	USERDATA_3[7:0]							
UF0	\$E4	USERDATA_4	USERDATA_4[7:0]							
UF0	\$E5	USERDATA_5	USERDATA_5[7:0]							
UF0	\$E6	USERDATA_6	USERDATA_6[7:0]							
UF0	\$E7	USERDATA_7	USERDATA_7[7:0]							
UF0	\$E8	USERDATA_8	USERDATA_8[7:0]							

**Table 48. User accessible data - traceability information...continued**

Type <sup>[1]</sup>	Address	Register	Bit							
			7	6	5	4	3	2	1	0
UF0	\$E9	USERDATA_9	USERDATA_9[7:0]							
UF0	\$EA	USERDATA_A	USERDATA_A[7:0]							
UF0	\$EB	USERDATA_B	USERDATA_B[7:0]							
UF0	\$EC	USERDATA_C	USERDATA_C[7:0]							
UF0	\$ED	USERDATA_D	USERDATA_D[7:0]							
UF0	\$EE	USERDATA_E	USERDATA_E[7:0]							
F	\$EF	CRC_UF0	LOCK_UF0	REGE_BLOCKID[2:0]			CRC_UF0[3:0]			
UF1	\$F0	USERDATA_10	USERDATA_10[7:0]							
UF1	\$F1	USERDATA_11	USERDATA_11[7:0]							
UF1	\$F2	USERDATA_12	USERDATA_12[7:0]							
UF1	\$F3	USERDATA_13	USERDATA_13[7:0]							
UF1	\$F4	USERDATA_14	USERDATA_14[7:0]							
UF1	\$F5	USERDATA_15	USERDATA_15[7:0]							
UF1	\$F6	USERDATA_16	USERDATA_16[7:0]							
UF1	\$F7	USERDATA_17	USERDATA_17[7:0]							
UF1	\$F8	USERDATA_18	USERDATA_18[7:0]							
UF1	\$F9	USERDATA_19	USERDATA_19[7:0]							
UF1	\$FA	USERDATA_1A	USERDATA_1A[7:0]							
UF1	\$FB	USERDATA_1B	USERDATA_1B[7:0]							
UF1	\$FC	USERDATA_1C	USERDATA_1C[7:0]							
UF1	\$FD	USERDATA_1D	USERDATA_1D[7:0]							
UF1	\$FE	USERDATA_1E	USERDATA_1E[7:0]							
F	\$FF	CRC_UF1	LOCK_UF1	REGF_BLOCKID[2:0]			CRC_UF1[3:0]			

[1] Memory Type Codes

- R - Readable Register with No OTP
- F – User Readable Register with OTP
- UF0 – One Time User Programmable OTP Location Region 0
- UF1 – One Time User Programmable OTP Location Region 1
- UF2 – One Time User Programmable OTP Location Region 2
- R/W – User Writable Register

## 11.2 Register definitions

### 11.2.1 Rolling counter register (COUNT)

The count register is a read-only register which provides the current value of a free-running 8-bit counter derived from the primary oscillator. A 10-bit prescaler divides the primary oscillator frequency by 1000. Thus, the value in the register increases by one count every 100 μs and the counter rolls over every 25.6 ms.

This register is readable in DSI3 mode, SPI mode, I<sup>2</sup>C mode or PS15 Programming Mode.

**Table 49. Rolling counter register (COUNT)**

Location		Bit							
Address	Register	7	6	5	4	3	2	1	0
\$00	COUNT	COUNT[7:0]							
Reset Value		0	0	0	0	0	0	0	0

**11.2.2 Device status registers (DEVSTATx)**

The device status registers are read-only registers which contain device status information.

These registers are readable in DSI3 mode, SPI mode, I<sup>2</sup>C mode or PSI5 Programming Mode.

**Table 50. Device status registers (DEVSTATx)**

Location		Bit							
Address	Register	7	6	5	4	3	2	1	0
\$01	DEVSTAT	CH0_ERR	CH1_ERR	COMM_ERR	MEMTEMP_ERR	SUPPLY_ERR	TESTMODE	DEVRES	DEVINIT
Reset Value		1	1	0	0	x	0	1	1
\$02	DEVSTAT1	VBUFUV_ERR	BUSINUV_ERR	VBUFOV_ERR	RESERVED	INTREGA_ERR	INTREG_ERR	INTREGF_ERR	CONT_ERR
Reset Value		x	x	x	x	x	x	x	0
\$03	DEVSTAT2	F_OTP_ERR	U_OTP_ERR	U_RW_ERR	U_W_ACTIVE	TEMP1_ERR	TEMP0_ERR	RESERVED	RESERVED
Reset Value		0	0	0	0	0	0	x	x
\$04	DEVSTAT3	MISO_ERR	OSCTRAIN_ERR	RESERVED	RESERVED	RESERVED	RESERVED	RESERVED	RESERVED
Reset Value		0	0	x	x	x	x	x	x

**11.2.2.1 Channel 0 error flag (CH0\_ERR)**

The channel 0 error flag is set if a channel 0 specific error is present in the channel 0 DSP:

$$CH0\_ERR = CH0\_STAT[SIGNALCLIP] | CH0\_STAT[ST\_INCMPLT] | CH0\_STAT[OFFSET\_ERR] | CH0\_STAT[ST\_ERROR]$$

**11.2.2.2 Channel 1 error flag (CH1\_ERR)**

The channel 1 error flag is set if a channel 1 specific error is present in the channel 1 DSP:

$$CH1\_ERR = CH1\_STAT[SIGNALCLIP] | CH1\_STAT[ST\_INCMPLT] | CH1\_STAT[OFFSET\_ERR] | CH1\_STAT[ST\_ERROR]$$

**11.2.2.3 Communication error flag (COMM\_ERR)**

The communication error flag is set if any bit in DEVSTAT3 is set:

$$COMM\_ERR = MISO\_ERR | OSCTRAIN\_ERR$$

**11.2.2.4 Memory or temperature error flag (MEMTEMP\_ERR)**

The memory error flag is set if any bit in DEVSTAT2 is set:

$$MEMTEMP\_ERR = F\_OTP\_ERR | U\_OTP\_ERR | U\_RW\_ERR | U\_W\_ACTIVE | TEMP1\_ERR | TEMP0\_ERR$$

**11.2.2.5 Supply error flag (SUPPLY\_ERR)**

The supply error flag is set if any bit in DEVSTAT1 is set:

$$SUPPLY\_ERR = VBUFUV\_ERR | BUSINUV\_ERR | VBUFOV\_ERR | INTREG\_ERR | INTREGA\_ERR | INTREGF\_ERR | CONT\_ERR$$

A common timer is used for all error bits in the DEVSTAT1 register. If any bit in DEVSTAT1 is set, the timer is reset to t<sub>UVOV\_RCV</sub>. When no supply errors are present, the

timer is decremented until it reaches zero. This error is cleared based on the state of the SUP\_ERR\_DIS bit in the DEVLOCK\_WR register as shown in [Table 51](#).

Table 51. Supply error flag (SUPPLY\_ERR)

SUP_ERR_DIS	DSI3 and SPI operating modes (COMMTYPE =0, 2, 3 and 4)	PSI5 operating modes (COMMTYPE =1 and 5)	I <sup>2</sup> C operating modes (COMMTYPE =6, 7)
0	No Response until the supply monitor timer expires. The Sensor Data Field Error Code is transmitted for one response after the supply monitor timer expires. A read of the DEVSTAT1 register clears all supply errors, using any communication interface or on a data transmission that includes the error in the status field, if and only if the timer has reached zero.	No transmissions occur if the timer is non-zero. The error is cleared when the timer reaches zero and normal transmissions resume.	No response until the supply monitor timer expires. A read of the DEVSTAT1 register clears all supply errors.
1	No transmissions occur if the timer is non-zero. The error is cleared when the timer reaches zero and normal transmissions resume.		

#### 11.2.2.6 Test mode (TESTMODE)

The test mode bit is set if the device is in test mode. The TESTMODE bit can be cleared by a test mode operation or by a power cycle.

Table 52. Test mode (TESTMODE)

TESTMODE	Operating mode
0	Test mode is not active
1	Test mode is active

#### 11.2.2.7 Device reset (DEVRES)

The device reset bit is set following a device reset. This error is cleared by a read of the DEVSTAT register through any communication interface or on a data transmission that includes the error in the status field.

Table 53. Device reset (DEVRES)

DEVRES	Error condition
0	Normal operation
1	Device reset occurred

#### 11.2.2.8 Device initialization (DEVINIT)

The device initialization bit is set following either a device reset or a change to any of the following bits: CHx\_CFG\_U1[7:2] or CHx\_CFG\_U3[1:0]. The bit is cleared once sensor data is valid for read through one of the device communication inter-faces ( $t_{POR\_DataValid}$ ).

**Note:** Some LPF selections have a step response time longer than the  $t_{POR\_DataValid}$  delay. If any of these filters are used, the filter may not have achieved the final value once DEVINIT is cleared.

Table 54. Device initialization (DEVINIT)

DEVINIT	Condition
0	Normal operation
1	Device Initialization in Process

11.2.2.9 V<sub>BUF</sub> under-voltage error (VBUFUV\_ERR)

The V<sub>BUF</sub> under-voltage error bit is set if the VBUF voltage falls below the voltage specified in [Section 10.4](#). See [Section 11.4](#) for details on the V<sub>BUF</sub> under-voltage monitor. A common timer is used for all error bits in the DEVSTAT1 register. If any supply error is present, the timer is reset to t<sub>UVOV\_RCV</sub>. This bit is cleared based on the state of the SUP\_ERR\_DIS bit in the DEVLOCK\_WR register as shown in [Section 11.2.2.5](#).

Table 55. V<sub>BUF</sub> under-voltage error (VBUFUV\_ERR)

VBUFUV_ERR	Error condition
0	No error detected
1	VBUF Voltage Low

11.2.2.10 BUS IN under-voltage error (BUSINUV\_ERR)

The BUS IN under-voltage error bit is set if the BUS\_IN voltage falls below the voltage specified in [Section 10.4](#). See [Section 11.4](#) for details on the BUS IN under-voltage monitor. A common timer is used for all error bits in the DEVSTAT1 register. If any supply error is present, the timer is reset to t<sub>UVOV\_RCV</sub>. This bit is cleared based on the state of the SUP\_ERR\_DIS bit in the DEVLOCK\_WR register as shown in [Section 11.2.2.5](#).

Table 56. BUS IN under-voltage error (BUSINUV\_ERR)

BUSINUV_ERR	Error condition
0	No error detected
1	BUS_IN Voltage Low

11.2.2.11 V<sub>BUF</sub> over-voltage error (VBUFOV\_ERR)

The V<sub>BUF</sub> over-voltage error bit is set if the VBUF voltage rises above the voltage specified in [Section 10.4](#). See [Section 11.4](#) for details on the V<sub>BUF</sub> over-voltage monitor. A common timer is used for all error bits in the DEVSTAT1 register. If any supply error is present, the timer is reset to t<sub>UVOV\_RCV</sub>. This bit is cleared based on the state of the SUP\_ERR\_DIS bit in the DEVLOCK\_WR register as shown in [Section 11.2.2.5](#).

Table 57. V<sub>BUF</sub> over-voltage error (VBUFOV\_ERR)

VBUFOV_ERR	Error condition
0	No error detected
1	VBUF Voltage High

11.2.2.12 Internal analog regulator voltage out of range error (INTREGA\_ERR)

The internal analog regulator voltage out of range error bit is set if the internal analog regulator voltage falls outside expected limits. A common timer is used for all error bits in the DEVSTAT1 register. If any supply error is present, the timer is reset to t<sub>UVOV\_RCV</sub>. This bit is cleared based on the state of the SUP\_ERR\_DIS bit in the DEVLOCK\_WR register as shown in [Section 11.2.2.5](#).

**Table 58. Internal analog regulator voltage out of range error (INTREGA\_ERR)**

INTREGA_ERR	Error condition
0	No error detected
1	Internal Analog Regulator Voltage Out of Range

**11.2.2.13 Internal digital regulator voltage out of range error (INTREG\_ERR)**

The internal digital regulator voltage out of range error bit is set if the internal digital regulator voltage falls outside expected limits. A common timer is used for all error bits in the DEVSTAT1 register. If any supply error is present, the timer is reset to  $t_{UVOV\_RCV}$ . This bit is cleared based on the state of the SUP\_ERR\_DIS bit in the DEVLOCK\_WR register as shown in [Section 11.2.2.5](#).

**Table 59. Internal digital regulator voltage out of range error (INTREG\_ERR)**

INTREG_ERR	Error condition
0	No error detected
1	Internal Digital Regulator Voltage Out of Range

**11.2.2.14 Internal OTP regulator voltage out of range error (INTREGF\_ERR)**

The internal OTP regulator voltage out of range error bit is set if the internal OTP regulator voltage falls outside expected limits. A common timer is used for all error bits in the DEVSTAT1 register. If any supply error is present, the timer is reset to  $t_{UVOV\_RCV}$ . This bit is cleared based on the state of the SUP\_ERR\_DIS bit in the DEVLOCK\_WR register as shown in [Section 11.2.2.5](#).

**Table 60. Internal OTP regulator voltage out of range error (INTREGF\_ERR)**

INTREGF_ERR	Error condition
0	No error detected
1	Internal OTP Regulator Voltage Out of Range

**11.2.2.15 Continuity monitor error (CONT\_ERR)**

The continuity monitor passes a low current through a connection around the perimeter of the device and monitors the continuity of the connection. The error bit is set if a discontinuity is detected in the connection. A common timer is used for all error bits in the DEVSTAT1 register. If the CONT\_ERR bit is set, the timer is reset to  $t_{UVOV\_RCV}$ . This bit is cleared based on the state of the SUP\_ERR\_DIS bit in the DEVLOCK\_WR register as shown in [Section 11.2.2.5](#).

**Table 61. Continuity monitor error (CONT\_ERR)**

CONT_ERR	Error condition
0	No error detected
1	Error detected in the continuity of the monitor circuit

**11.2.2.16 NXP OTP array error (F\_OTP\_ERR)**

The factory OTP array error bit is set if a fault is detected in the factory OTP array. This error is cleared by a device reset. See [Section 11.2.15.2](#) for details on a method to disable the automatic clearing of this error in PSi5 mode.

**Table 62. NXP OTP array error (F\_OTP\_ERR)**

F_OTP_ERR	Error condition
0	No error detected
1	Error Detected in the Factory OTP Array

**11.2.2.17 User OTP array error (U\_OTP\_ERR)**

The user OTP array error bit is set if a fault is detected in the user OTP array. This error is cleared by a device reset. See [Section 11.2.15.2](#) for details on a method to disable the automatic clearing of this error in PSI5 mode.

**Table 63. User OTP array error (U\_OTP\_ERR)**

U_OTP_ERR	Error condition
0	No error detected
1	Error Detected in the User OTP Array

**11.2.2.18 User read/write array error (U\_RW\_ERR)**

When ENDINIT is set, an error detection is enabled for all user writable registers. The error detection code is continuously calculated on the user writable registers and verified against a previously calculated error detection code. If a mismatch is detected in the error detection, the U\_RW\_ERR bit is set. This error is cleared by a read of the DEVSTAT2 register through any communication interface or on a data transmission that includes the error in the status field. See [Section 11.2.15.2](#) for details on a method to disable the automatic clearing of this error in PSI5 mode.

**Table 64. User read/write array error (U\_RW\_ERR)**

U_RW_ERR	Error condition
0	No error detected
1	Error Detected in the User Read/Write Array

**11.2.2.19 User OTP write in process status bit (U\_W\_ACTIVE)**

The user OTP write in process status bit is set if a user initiated write to OTP is currently in process. The U\_W\_ACTIVE bit is automatically cleared once the write to OTP is complete.

**Table 65. User OTP write in process status bit (U\_W\_ACTIVE)**

U_W_ACTIVE	Status condition
0	No OTP Write in Process
1	OTP Write in Process

**11.2.2.20 Channel 1 temperature sensor error (TEMP1\_ERR)**

The channel 1 temperature error bit is set if an over or under temperature condition exists on channel 1. This error is cleared by a read of the DEVSTAT2 register through any communication interface or on a data transmission that includes the error in the status field. See [Section 11.2.15.2](#) for details on a method to disable the automatic clearing of this error in PSI5 mode.



**Table 66. Channel 1 temperature sensor error (TEMP1\_ERR)**

TEMP1_ERR	Error condition
0	No error detected
1	Over- or Under-Temperature error condition detected

**11.2.2.21 Channel 0 temperature sensor error (TEMP0\_ERR)**

The channel 0 temperature error bit is set if an over or under temperature condition exists on channel 0. This error is cleared by a read of the DEVSTAT2 register through any communication interface or on a data transmission that includes the error in the status field. See [Section 11.2.15.2](#) for details on a method to disable the automatic clearing of this error in PSI5 mode.

**Table 67. Channel 0 temperature sensor error (TEMP0\_ERR)**

TEMP0_ERR	Error condition
0	No error detected
1	Over- or Under-Temperature error condition detected

**11.2.2.22 SPI MISO data mismatch error flag (MISO\_ERROR)**

In SPI mode, the MISO data mismatch flag is set when a MISO Data mismatch fault occurs as specified in [Section 14.5.7](#). The MISO\_ERROR bit is cleared by a read of the DEVSTAT3 register through any communication interface, or by a status transmission including the error status through the SPI.

**Table 68. SPI MISO data mismatch error flag (MISO\_ERROR)**

MISO_ERROR	Error condition
0	Normal operation
1	MISO Data Mismatch

**11.2.2.23 Oscillator training error (OSCTRAIN\_ERR)**

The oscillator training error bit is set if an error detected in either the oscillator training settings, or the master communication timing. See [Section 11.5.2](#). Once the error condition is corrected, the OSCTRAIN\_ERR bit is cleared after a read of the OSCTRAIN\_ERR bit through any communication interface, or by a status transmission including the error status through any communication interface.

**Table 69. Oscillator training error (OSCTRAIN\_ERR)**

OSCTRAIN_ERR	Error condition
0	No error detected
1	Oscillator Training Error. See <a href="#">Section 11.5.2</a>

**11.2.3 Communication protocol revision register (COMMREV)**

The communication protocol revision register is a read-only register which contains the revision for the communication protocol used.

This register is readable in DS13 mode, SPI mode, I<sup>2</sup>C mode or PSI5 Programming Mode.

**Table 70. Communication protocol revision register (COMMREV)**

Location		Bit							
Address	Register	7	6	5	4	3	2	1	0
\$05	COMMREV	0	0	0	0	COMMREV[3:0]			
Reset Value for DSI3		0	0	0	0	0	0	0	1
Reset Value for PSI5		0	0	0	0	0	1	1	0
Reset Value for SPI		0	0	0	0	0	0	0	0
Reset Value for I <sup>2</sup> C		0	0	0	0	0	1	0	1

**Note:** The response to a register write of the COMMREV register is a valid response with the register contents equal to 0x00.

**11.2.4 Margin read status register (MREAD\_STAT)**

The Margin Read Status register is a read-only register which contains the status for the user enabled OTP margin read test.

This register is readable in DSI3 mode, SPI mode, I<sup>2</sup>C mode or PSI5 Programming Mode.

**Table 71. Margin read status register (MREAD\_STAT)**

Location		Bit							
Address	Register	7	6	5	4	3	2	1	0
\$06	MREAD_STAT	RESERVED	RESERVED	RESERVED	RESERVED	RESERVED	RESERVED	MARGIN_RD_ACT	MARGIN_RD_ERR
Reset Value		0	0	0	0	0	0	0	0

**Note:** The user enabled OTP margin read test is not intended for use in normal operation. It is intended for use only after user OTP programming during manufacturing.

**11.2.4.1 Margin read active status (MARGIN\_RD\_ACT)**

The margin read active status bit is set if a user enabled OTP margin read test is in process. The status bit is automatically cleared when the OTP margin read test is complete. See [Section 11.2.7.1](#) for details regarding the user enabled OTP margin read test.

**Table 72. Margin read active status (MARGIN\_RD\_ACT)**

MARGIN_RD_ACT	Condition
0	No Margin Read Test is in Process
1	Margin Read Test is in Process

**11.2.4.2 Margin read error status (MARGIN\_RD\_ERR)**

The margin read error status bit is set if a user enabled OTP margin read test has failed. The margin read error status bit is cleared on a read of the MREAD\_STAT register. The margin read error status bit has no impact on device operation or performance. See [Section 11.2.7.1](#) for details regarding the user enabled OTP margin read test.

**Table 73. Margin read error status (MARGIN\_RD\_ERR)**

MARGIN_RD_ERR	Condition
0	No Margin Read Test Failure
1	Margin Read Test Failure

**11.2.5 Temperature register (TEMPERATURE)**

The temperature register is a read-only register which provides a temperature value from the channel 0 temperature sensor. The temperature value is specified in [Section 10.5](#).

Note, the device is only guaranteed to operate within the temperature limits specified in [Section 10](#). This includes the performance of the temperature register values.

This register is readable in DSI3 mode, SPI mode, I<sup>2</sup>C mode or PSI5 Programming Mode.

**Table 74. Temperature register (TEMPERATURE)**

Location		Bit							
Address	Register	7	6	5	4	3	2	1	0
\$0E	TEMPERATURE	TEMP[7:0]							
Reset Value		0	0	0	0	0	0	0	0

**11.2.6 Device lock register (DEVLOCK\_WR)**

The device lock register is a user programmed read/write register which contains the ENDINIT bit and reset control bits.

This register is readable and writable in DSI3 mode, SPI mode, I<sup>2</sup>C mode or PSI5 Programming Mode.

**Table 75. Device lock register (DEVLOCK\_WR)**

Location		Bit							
Address	Register	7	6	5	4	3	2	1	0
\$10	DEVLOCK_WR	ENDINIT	RESERVED	RESERVED	RESERVED	SUP_ERR_DIS	RESERVED	RESET[1:0]	
Reset Value		0	0	0	0	0	0	0	0

**11.2.6.1 End initialization bit (ENDINIT)**

The ENDINIT bit is a control bit used to indicate that the user has completed all device and system level initialization tests. Once the ENDINIT bit is set, writes to all writable register bits are inhibited except for the DEVLOCK\_WR register. Once set, the ENDINIT bit can only be cleared by a device reset.

When ENDINIT is set, the following occurs:

- An error detection is enabled for all user writable registers. The error detection code is continuously calculated on the user writable registers and verified against a previously calculated error detection code.
- The offset cancellation filter is forced to its final stage.
- Self-test is disabled and inhibited.
- Register Writes are inhibited with the exception of the RESET[1:0] bits in the DEVLOCK\_WR register.

In DSI3 mode, when the ENDINIT bit is set, the device is forced to PDCM according to the device settings and no longer responds to CRM commands.

In PSI5 mode, the ENDINIT bit is automatically set when the device exits Initialization Phase 3.

**11.2.6.2 Supply error reporting disable bit (SUP\_ERR\_DIS)**

The supply error disable bit allows the user to disable reporting of the supply errors in the DSI3 PDCM and SPI status fields. See [Section 11.2.2.5](#).

**11.2.6.3 Reset control bits (RESET[1:0])**

In DSI3 mode, SPI mode, I<sup>2</sup>C mode or PSI5 mode, a series of three consecutive register write operations to the reset control bits results in a device reset. To reset the device, the following register write operations must be performed in consecutive commands and in the order shown in [Table 76](#) or the device will reset.

**Table 76. Reset control bits (RESET[1:0])**

Register write to DEVLOCK_WR	RES_1	RES_0	Effect
Register Write 1	0	0	No Effect
Register Write 2	1	1	No Effect
Register Write 3	0	1	Device RESET

The response to a register write returns the new register value, including the values written to the RESET[1:0] bits. After the third Register Write command, the device initiates a reset and therefore does not transmit a response to this command or an Acknowledge in I<sup>2</sup>C mode. The response to a register read returns '00' for RESET[1:0] and terminates the reset sequence. The reset control bits are not included in the read/write array error detection.

**11.2.7 Write OTP enable register**

The write OTP enable register is a user programmed read/write register that allows the user to write the contents of the user programmed OTP array mirror registers to the OTP registers. This register is included in the user read/write array error detection.

This register is readable and writable in DSI3 mode, SPI mode, I<sup>2</sup>C mode or PSI5 Programming Mode.

**Table 77. Write OTP enable register**

Location		Bit							
Address	Register	7	6	5	4	3	2	1	0
\$11	WRITE_OTP_EN	UOTP_WR_INIT	MARGIN_RD_EN	RESERVED	RESERVED	EX_COMMTYPE	EX_PADDR	UOTP_REGION[1:0]	
Reset Value		0	0	0	0	0	0	0	0

**11.2.7.1 Margin read enable bit (MARGIN\_RD\_EN)**

The margin read enable bit initiates an OTP margin read test for all user programmable OTP regions: UF2, UF0, and UF1. The user enabled OTP margin read test is not intended for use in normal operation. It is intended for use only after user OTP programming during manufacturing.

The procedure for completing an OTP margin read test is shown in step [1](#) through step [7](#):

1. Read the MREAD\_STAT register to confirm that the MARGIN\_RD\_ACT and MARGIN\_RD\_ERR bits are both cleared.

2. Write 0x40 to the WRITE\_OTP\_EN register to set the MARGIN\_RD\_EN bit. This initiates the OTP margin read test which completes the sequence listed in steps [a](#) through [i](#).
  - a. The UF2 block is read. The ECC is checked for double bit errors and the CRC is verified. If an ECC error or CRC error exists or if UF2 block is unlocked, the MARGIN\_RD\_ERR bit is set and the test is terminated.
  - b. A margin read low test is run with the read threshold reduced by 25 %. The data is checked against the expected values in the mirror registers. If a double bit ECC error or data comparison mismatch occurs, the MARGIN\_RD\_ERR bit is set and the test is terminated.
  - c. A margin read high test is run with the read threshold increased by 25 %. The data is checked against the expected values in the mirror registers. If a double bit error or data comparison mismatch occurs, the MARGIN\_RD\_ERR bit is set and the test is terminated.
  - d. The UF0 block is read. The ECC is checked for double bit errors and the CRC is verified. If an ECC error or CRC error exists or if UF0 block is unlocked, the MARGIN\_RD\_ERR bit is set and the test is terminated.
  - e. A margin read low test is run with the read threshold reduced by 25 %. The data is checked against the expected values in the mirror registers. If a double bit ECC error or data comparison mismatch occurs, the MARGIN\_RD\_ERR bit is set and the test is terminated.
  - f. A margin read high test is run with the read threshold increased by 25 %. The data is checked against the expected values in the mirror registers. If a double bit error or data comparison mismatch occurs, the MARGIN\_RD\_ERR bit is set and the test is terminated.
  - g. The UF1 block is read. The ECC is checked for double bit errors and the CRC is verified. If an ECC error or CRC error exists or if UF1 block is unlocked, the MARGIN\_RD\_ERR bit is set and the test is terminated.
  - h. A margin read low test is run with the read threshold reduced by 25 %. The data is checked against the expected values in the mirror registers. If a double bit ECC error or data comparison mismatch occurs, the MARGIN\_RD\_ERR bit is set and the test is terminated.
  - i. A margin read high test is run with the read threshold increased by 25 %. The data is checked against the expected values in the mirror registers. If a double bit error or data comparison mismatch occurs, the MARGIN\_RD\_ERR bit is set and the test is terminated.
3. Read the MREAD\_STAT register to confirm that the MARGIN\_RD\_ACT bit is set and the MARGIN\_RD\_ERR bit is cleared.
4. Delay 1.5 ms minimum.
5. Read the MREAD\_STAT register to confirm that the MARGIN\_RD\_ACT bit is cleared. Check the state of the MARGIN\_RD\_ERR bit.
  - If the MARGIN\_RD\_ERR bit is cleared, the margin read test passed.
  - If the MARGIN\_RD\_ERR bit is set, the margin read test failed.
6. When the test is complete, the MARGIN\_RD\_EN bit is cleared.
7. When the test is complete and the MREAD\_STAT register has been read, the MARGIN\_RD\_ACT and the MARGIN\_RD\_ERR bit are cleared.

The user enabled OTP margin read test can only be enabled when the ENDINIT bit is not set.

**11.2.7.2 Write OTP enable and programming bits**

Register writes executed by the user to the user programmed OTP array only update the mirror register contents for the OTP array, not the actual OTP registers. To copy the values to the actual OTP registers, a write must be executed to the WRITE\_OTP\_EN register with the UOTP\_WR\_INIT bit set. The state of the UOTP\_REGION[1:0], the EX\_COMMTYPE, and the EX\_PADDR bits in the command determine which region of OTP are written as shown in [Table 78](#).

**Table 78. Write OTP enable and programming bits**

EX_COMMTYPE	EX_PADDR	UOTP_REGION[1]	UOTP_REGION[0]	OTP write operation	Special conditions
x	x	0	0	Write the current contents of the UF0 registers to OTP	
x	x	0	1	Write the current contents of the UF1 registers to OTP	
0	0	1	0	Write the current contents of the UF2 registers to OTP, including the COMMTYPE register and the PHYSADDR register	
0	1	1	0	Write the current contents of the UF2 registers to OTP, including COMMTYPE and excluding PHYSADDR.	PHYSADDR = 0x00 after OTP Write
1	0	1	0	Write the current contents of the UF2 registers to OTP, excluding COMMTYPE and including PHYSADDR.	User must not overwrite COMMTYPE
1	1	1	0	Write the current contents of the UF2 registers to OTP, excluding COMMTYPE and excluding PHYSADDR.	User must not overwrite COMMTYPE PHYSADDR = 0x00 after OTP Write
x	x	1	1	Reserved for Future Use	

The UF0 and UF1 user OTP regions as well as the NXP programmed F OTP regions share common mirror registers. For this reason, writes to the OTP for each region must be completed independently according to the procedure below.

Depending upon the operating mode used, the user needs to write the UF2 values to OTP either with or without the PHYSADDR register and the COMMTYPE register being written. If Discovery Mode or switch connected daisy chain mode is used, the PHYSADDR register must remain un-programmed (0x0000). If a pre-programmed bus mode is used, the PHYSADDR register must be programmed to a non-zero value. To support these two user modes, the EX\_PADDR bit is used as described in [Table 78](#).

Once a region is written using the OTP Write sequence, the LOCK\_Uxx bit in the appropriate CRC\_xxx register is automatically set, locking the array from future writes. Once a region is locked, an error detection is activated to detect changes to the register values. Register values in the UF2 region can be over-written using register write commands, but no new values can be written to the OTP.

The procedure for writing to the user OTP array UF0 and UF1 regions is:

1. Read the appropriate CRC\_UFx register and confirm the LOCK\_Uxx bit is not set.

2. Write the desired values to the user array registers for only the region to be written using the procedures in [Section 11.2.10](#).
  - The user must take care to ensure that the proper data is written to each region. If a register write is executed to a new region, the base address changes to the new region. The previous data written to the register block remains in the shared registers and is written to OTP if the Write OTP sequence is completed.
3. Execute a write to the WRITE\_OTP\_EN register with the appropriate bits set for the desired region to program.
  - Once the WRITE\_OTP\_EN register write is completed, a CRC is calculated for the data to be written to the region, the register values are written to OTP and the region is locked from future writes. The UOTP\_WR\_INIT bit remains set.
4. Delay  $t_{OTP\_WRITE\_MAX}$  to allow the device to complete the writes to OTP.
5. Verify that the OTP write successfully completed by reading back all of the OTP registers using Register Read commands as defined in [Section 11.2.10](#).
6. Repeat steps 1 through 4 for all regions to be programmed.

The procedure for writing to the user OTP array UF2 region is:

1. Read the CRC\_UF2 register and confirm the LOCK\_UF2 bit is not set.
2. Write the desired values to the user array registers.
3. Execute a write to the WRITE\_OTP\_EN register with region 2 selected and the EX\_COMMTYPE and EX\_PADDR bit set as desired.
  - Once the WRITE\_OTP\_EN register write is completed, a CRC is calculated for the data to be written to the region, the register values are written to OTP and the region is locked from future writes. The UOTP\_WR\_INIT bit remains set.
4. Delay  $t_{OTP\_WRITE\_MAX}$  to allow the device to complete the writes to OTP and an automatic read of the UF2 registers from OTP.
5. Verify that the OTP write successfully completed by reading back all of the OTP registers using Register Read commands.

### 11.2.8 Bus switch control register (BUSSW\_CTRL)

The bus switch control register is a user programmed read/write register which controls the state of the bus switch output driver. This register is included in the user read/write array error detection.

This register is readable and writable in DSI3 mode, SPI mode, I<sup>2</sup>C mode or PSI5 Programming Mode.

**Table 79. Bus switch control register (BUSSW\_CTRL)**

Location		Bit							
Address	Register	7	6	5	4	3	2	1	0
\$12	BUSSW_CTRL	RESERVED	RESERVED	RESERVED	RESERVED	RESERVED	RESERVED	BUSSW_CTRL[1:0]	
Reset Value		0	0	0	0	0	0	0	0

The BUSSW\_CTRL bit controls the state of the BUSSW\_L pin.

**Table 80. BUSSW\_L pin state**

BUSSW_CTRL[1]	BUSSW_CTRL[0]	BUSSW_L Pin State
0	0	High Impedance. An external pullup or pulldown resistor is required if an external switch is connected
0	1	High Impedance. An external pullup or pulldown resistor is required if an external switch is connected

Table 80. BUSSW\_L pin state...continued

BUSSW_CTRL[1]	BUSSW_CTRL[0]	BUSSW_L Pin State
1	0	Active Low.
1	1	Active High.

Note: In DSI3 and PSI5 DPM modes, the bus switch is activated upon receipt of the register write command. The bus switch activation may impact the current on the bus and cause corruption of the register write response.

### 11.2.9 PSI5 test register (PSI5\_TEST)

The PSI5 test register is a user read/write register that contains the PSI5 test control. This register is included in the user read/write array error detection.

This register is readable and writable in DSI3 mode, SPI mode, I<sup>2</sup>C mode or PSI5 Programming Mode.

Table 81. PSI5 test register (PSI5\_TEST)

Location		Bit							
Address	Register	7	6	5	4	3	2	1	0
\$13	PSI5_TEST	RESERVED	RESERVED	RESERVED	RESERVED	RESERVED	RESERVED	RESERVED	PSI5_TEST
Reset Value		0	0	0	0	0	0	0	0

#### 11.2.9.1 PSI5 test bit (PSI5\_TEST)

If PSI5 mode is not enabled in the COMMTYPE, the PSI5 test bit enables a single PSI5 command receive and response transmission to allow for the PSI5 transceiver to be tested in other modes.

When the PSI5\_TEST bit is set, the device and system proceed through following process.

1. The device switches the BUS\_I transceiver to PSI5 mode.
2. The system holds the BUS\_I node constant for 2 ms minimum to allow the BUS\_I command receiver to capture the average voltage.
3. The system must transmit a sync pulse meeting the specifications in [Section 10](#).
4. The device transmits a response to the sync pulse with the following configuration:
  - a. The sync pulse is pulled down as configured by the SYNC\_PD bit in the PSI5\_CFG register.
  - b. The response starts in the time slot selected in the PDCM\_RSPST0 register.
  - c. The response bit time is configured in the CHIPTIME register.
  - d. The response current is configured by the PSI5\_ILOW bit in the PSI5\_CFG register.
  - e. Two start bits are transmitted as specified in [Section 13.3.2](#).
  - f. 10-bits of data equal to 0x2AA are transmitted.
  - g. Error checking bits are transmitted as configured by the P\_CRC bit in the PSI5\_CFG register.
5. Once the transmission is complete, the PSI5\_TEST bit is cleared and the device returns to the communication mode as defined in the COMMTYPE register.

If the bit is set from DSI3 mode, this process occurs once the device has replied to the write message, regardless of whether or not the reply attempted was successful.



If the bit is set from SPI mode, the process occurs once the PSI5\_TEST bit is set with no SPI reply necessary.

If the bit is set from I<sup>2</sup>C mode, the process occurs once the PSI5\_TEST bit is set with no I<sup>2</sup>C reply necessary.

If PSI5 mode is enabled in the COMMTYPE register, this bit has no impact on device operation or performance.

**11.2.10 UF region selection registers (UF\_REGION\_x)**

The UF region load register is a user read/write register that contains the control bits for the UF0 and UF1 regions to be accessed. This register is included in the user read/write array error detection. The UF region active register is a read-only register that contains the status bits for the UF0 and UF1 regions to be accessed.

The UF\_REGION\_W register is readable and writable in DSI3 mode, SPI mode, I<sup>2</sup>C mode or PSI5 Programming Mode. The UF\_REGION\_R register is readable in DSI3 mode, SPI mode, I<sup>2</sup>C mode or PSI5 Programming Mode.

**Table 82. UF region selection registers (UF\_REGION\_x)**

Location		Bit							
Address	Register	7	6	5	4	3	2	1	0
\$14	UF_REGION_W	REGION_LOAD[3:0]				0	0	0	0
\$15	UF_REGION_R	REGION_ACTIVE[3:0]				0	0	0	0
Reset Value		1	1	1	0	0	0	0	0

The user OTP regions UF0, UF1, and F share a block of 16 registers. Prior to reading the registers via any communication interface, the user must ensure that the desired OTP registers are loaded into the readable registers. To ensure proper reading of the UF0, UF1 and F registers, follow this procedure:

1. Write the desired address range to be read to the REGION\_LOAD[3:0] bits in the UF\_REGION\_W register using one of the communication interfaces available via the COMMTYPE register.

**Table 83. Region load bits**

REGION_LOAD[3:0]				OTP register addresses loaded into the readable registers
0	0	0	0	Not Applicable
0	0	0	1	Not Applicable
0010 through 1001				RESERVED
1	0	1	0	Address Range \$A0 through \$AF
1	0	1	1	Address Range \$B0 through \$BF
1	1	0	0	Address Range \$C0 through \$CF
1	1	0	1	Address Range \$D0 through \$DF
1	1	1	0	Address Range \$E0 through \$EF
1	1	1	1	Address Range \$F0 through \$FF

2. Delay a minimum of t<sub>SSN\_UF01</sub>.

- Optional: Execute a register read of the UF\_REGION\_R register and confirm the REGION\_ACTIVE[3:0] bits match the values written to the REGION\_LOAD[3:0] bits in the UF\_REGION\_W register.

**Table 84. Region active bits**

REGION_ACTIVE[3:0]				OTP register addresses loaded into the readable registers
0	0	0	0	Load of OTP registers is in process
0	0	0	1	The contents of the shared registers has been over-written by the user
0010 through 1001				Not Applicable
1	0	1	0	Address Range \$A0 through \$AF
1	0	1	1	Address Range \$B0 through \$BF
1	1	0	0	Address Range \$C0 through \$CF
1	1	0	1	Address Range \$D0 through \$DF
1	1	1	0	Address Range \$E0 through \$EF
1	1	1	1	Address Range \$F0 through \$FF

- Execute a Register Read of the desired registers from the UF0, UF1, or F register section. Complete all desired Register Reads of the selected UF Region.
- Repeat steps 1 through 4 for the next desired UF region to read.

**Notes:**

- The user must take care to ensure that the desired registers are addressed. For example, if the REGION\_LOAD bits are set to 0xA and the user executes a read of address \$C2, the contents of registers \$A2 are transmitted. No error detection is included other than a read of the REGION\_ACTIVE bits.
- For COMMTYPE options with multiple protocol options (COMMTYPE = '000' or '001'), no error detection is included other than a read of the REGION\_ACTIVE bits. The user must take care to ensure that the REGION\_LOAD, bits are not inadvertently changed by an alternative protocol while executing register reads.
- In DSI3, BDM, writes to registers are inhibited. For this reason, reads of the UF0, UF1, and F registers will only be possible for the region selected by the REGION\_ACTIVE bits at the time ENDINIT is set.
- In SPI and I<sup>2</sup>C mode, once the ENDINIT bit is set, writes to registers other than the RESET[1:0] bits are inhibited. For this reason, reads of the UF0, UF1, and F registers will only be possible for the region selected by the REGION\_ACTIVE bits at the time ENDINIT is set.

**11.2.11 Communication type register (COMMTYPE)**

The communication type register is a user programmed read/write register which contains user-specific configuration information for communication type. This register is included in the read/write array error detection.

This register is readable and writable in DSI3 mode, SPI mode, and I<sup>2</sup>C mode. In PSI5 Programming Mode, the value of this register must not be changed or a U\_OTP Memory occurs.

**Table 85. Communication type register (COMMTYPE)**

Location		Bit							
Address	Register	7	6	5	4	3	2	1	0
\$16	COMMTYPE	RESERVED	RESERVED	RESERVED	RESERVED	RESERVED	COMMTYPE[2:0]		
Unprogrammed OTP Value: FXLS90xxx		0	0	0	0	0	0	0	0
Programmed OTP Value: FXLS93xxx		0	0	0	0	0	0	0	1

**11.2.11.1 Communication type (COMMTYPE[2:0])**

The communication type bits select the available protocols for the device as shown in [Table 86](#).

**Table 86. Communication type (COMMTYPE[2:0])**

COMMTYPE [2:0]			Available communication protocols				Arming function availability	BUS_I undervoltage detection
			DSI3 <sup>[1]</sup>	PSI5 <sup>[2]</sup>	32-bit SPI <sup>[3]</sup>	I <sup>2</sup> C <sup>[4]</sup>		
0	0	0	X		X	Enabled based on ARM_CFG[2:0]	Disabled	
0	0	1		X	X	Enabled based on ARM_CFG[2:0]	Disabled	
0	1	0			X	Enabled based on ARM_CFG[2:0]	Disabled	
0	1	1	X			Disabled	Enabled	
1	0	0			X	Enabled based on ARM_CFG[2:0]	Disabled	
1	0	1		X		Disabled	Enabled	
1	1	0			X	Disabled	Disabled	
1	1	1			X	Disabled	Disabled	

- [1] See [Section 12 "DSI3 protocol"](#)
- [2] See [Section 13 "PSI5 protocol"](#)
- [3] See [Section 14 "Standard 32-bit SPI protocol"](#)
- [4] See [Section 15 "Inter-integrated circuit \(I2C\) interface"](#)

When writing to this register, care must be taken to prevent from inadvertently disabling the desired communication mode. Communication mode register value changes which disable a protocol, including writes to OTP, will not take effect until a device reset to prevent from disabling a necessary communication method. [Table 87](#) describes how communication mode register changes are handled.

**Table 87. COMMTYPEs and effect on device**

Original COMMTYPE	New COMMTYPE	Device effect
0 (DSI3 / SPI)	1 (PSI5 / SPI)	A protocol change does not occur until a device reset (assuming the OTP is programmed).
0 (DSI3 / SPI)	2, 3, 4, 5 (SPI, DSI3 or PSI5)	A protocol change does not occur until a device reset (assuming the OTP is programmed).
0 (DSI3 / SPI)	6, 7 (I <sup>2</sup> C)	A protocol change does not occur until a device reset (assuming the OTP is programmed).
1 (PSI5 / SPI)	5 (PSI5)	A protocol change does not occur until a device reset (assuming the OTP is programmed).
2, 3, 4, 5 (SPI)	Any	No protocol change occurs.
6, 7 (I <sup>2</sup> C)	Any	No protocol change occurs.

Notes:

- In PSI5 / SPI mode (COMMTYPE = 1), SPI transactions are ignored by the device until PSI5 initialization 3 is complete. SPI Test Mode Entry is not restricted.
- In PSI5 / SPI mode (COMMTYPE = 1), only SPI read register transactions are available.
- In DSI3 / SPI mode (COMMTYPE = 0) and PSI5 / SPI mode (COMMTYPE = 1), registers accesses by protocol are completed in the order received. Care must be taken to prevent from incorrect addressing of the F, UF0, and UF1 registers.
- In SPI only mode and in I<sup>2</sup>C only mode, the BUS\_I undervoltage detection is disabled to allow for 3.3 V system operation. the V<sub>BUF</sub> undervoltage detection replaces the BUS\_I undervoltage detection.
- If the COMMTYPE register is pre-programmed in OTP to a specific communication type, the user must prevent writes to this register when writing the UF2 register to OTP. If a pre-programmed COMMTYPE register is over-written and then written to OTP, the UF2 CRC verification will fail.

**11.2.12 Physical address register (PHYSADDR)**

The physical address register is a user programmed OTP register which contains the physical address of the slave for use in DSI3. This register is included in the read/write array error detection. If the physical address stored in the OTP array is zero, the address is assigned either during Discovery Mode or during Command and Response Mode.

If the physical address stored in the OTP array is non-zero, the device ignores Discovery Mode and uses the programmed physical address for Command and Response Mode. The physical address register value can be changed by a Command and Response Mode register write command. However, if the UF2 region is locked, the value will always be reset to the OTP array value after a reset.

In SPI mode, I<sup>2</sup>C mode and PSI5 mode, the PHYSADDR register is readable and writable, but has no impact on device operation or performance.

**Table 88. Physical address register (PHYSADDR)**

Location		Bit							
Address	Register	7	6	5	4	3	2	1	0
\$18	PHYS ADDR	0	0	0	0	PADDR[3:0]			
Unprogrammed OTP Value		0	0	0	0	0	0	0	0

**11.2.13 Source identification registers (SOURCEID\_x)**

The source identification registers are user programmed read/write registers which contain the source identification information used for DSI3 PDCM, PSI5 mode, and SPI Mode. These registers are included in the read/write array error detection.

These registers are readable and writable in DSI3 mode, SPI mode, I<sup>2</sup>C mode or PSI5 Programming Mode.

**Table 89. Source identification registers (SOURCEID\_x)**

Location		Bit							
Address	Register	7	6	5	4	3	2	1	0
\$1A	SOURCEID_0	SID0_EN	PDCMFORMAT[2:0]			SOURCEID_0[3:0]			

**Table 89. Source identification registers (SOURCEID\_x)...continued**

Location		Bit							
Address	Register	7	6	5	4	3	2	1	0
Unprogrammed OTP Value		0	0	0	0	0	0	0	0
FXLS93xxx Unprogrammed Default PSI5 Mode		1	1	0	0	0	0	0	0
\$1B	SOURCEID_1	SID1_EN	RESERVED	RESERVED	RESERVED	SOURCEID_1[3:0]			
Unprogrammed OTP Value		0	0	0	0	0	0	0	0
\$1C	SOURCEID_2	SID2_EN	RESERVED	RESERVED	RESERVED	SOURCEID_2[3:0]			
Unprogrammed OTP Value		0	0	0	0	0	0	0	0
FXLS93xxx Unprogrammed Default PSI5 Mode		1	0	0	0	0	0	0	0
\$1D	SOURCEID_3	SID3_EN	RESERVED	RESERVED	RESERVED	SOURCEID_3[3:0]			
Unprogrammed OTP Value		0	0	0	0	0	0	0	0

**11.2.13.1 Data source enable bits (SIDx\_EN)**

The SIDx\_EN bits enable the data source for the associated source identification as described in [Section 11.2.13.3](#).

**11.2.13.2 PDCM format control bits (PDCMFORMAT[2:0])**

In DSI3 mode, the PDCM format control bits set the PDCM field sizes as shown in [Table 90](#). See [Section 12.4.2](#) for PDCM response format details.

**Table 90. PDCM format control bits (PDCMFORMAT[2:0])**

PDCMFORMAT[2:0]			Source ID field size (Bits)	Keep alive counter field size (Bits)	Status field size (Bits)	Data field size (Bits)	Total including CRC (Bits)
0	0	0	0	2	4	10	24
0	0	1	4	2	4	10	28
0	1	0	0	0	4	12	24
0	1	1	4	0	4	12	28
1	0	0	0	2	0	10	20
1	0	1	0	0	0	16	24
1	1	0	0	0	4	16	28
1	1	1	4	0	4	16	32

In PSI5 mode, the PDCM format control bits set the PSI5 response format as shown in [Table 91](#). See [Section 13.3.2](#) for PSI5 response format details. Note: the data field size applies to all modes except Programming Mode which has a fixed size of 10 bits. The user must take care to prevent from combining incompatible data field sizes and transmission times.

**Table 91. PDCM format control bits**

PDCMFORMAT[2:0]			Data field size (Bits)
0	x	x	10
1	x	x	16

In SPI and I<sup>2</sup>C mode, the PDCMFORMAT bits are readable and writable, but have no impact on device operation or performance.

**11.2.13.3 Source identification (SOURCEID\_x)**

In SPI mode, the SOURCEID field in the SPI command is compared against the values in the SOURCEID\_x registers. If the SOURCEID field matches one of the values in the SOURCEID\_x registers and the SIDx\_EN bit is set for that register, the sensor data for that SOURCEID is transmitted as shown in [Table 92](#). If more than one enabled SOURCEID\_x register value matches the SOURCEID field in the SPI command a SPI sensor data request error response is transmitted. If no enabled SOURCEID\_X register value matches the SOURCEID field in the SPI command a SPI sensor data request error response is transmitted.

**Table 92. SPI source identification (SOURCEID\_x)**

Source ID	Source ID enable (SIDx_EN)	Transmitted data
SOURCEID_0	0	SPI Error Response
	1	CH0_SNSDATA0
SOURCEID_1	0	SPI Error Response
	1	CH0_SNSDATA1
SOURCEID_2	0	SPI Error Response
	1	CH1_SNSDATA0
SOURCEID_3	0	SPI Error Response
	1	CH1_SNSDATA1

In DSI3 mode, if the SIDx\_EN bit in the SOURCEID\_x register is set, the associated SOURCEID value is transmitted in the SOURCEID field of PDCM mode using the associated transmission time shown in [Table 93](#).

**Table 93. DSI3 source identification (SOURCEID\_x)**

Source ID	Source ID enable (SIDx_EN)	Transmission time <sup>[1]</sup>	Transmitted data <sup>[2]</sup>
SOURCEID_0	0	NA	NA
	1	PDCM_RSPST0	CH0_SNSDATA0
SOURCEID_1	0	NA	NA
	1	PDCM_RSPST1	CH0_SNSDATA1
SOURCEID_2	0	NA	NA
	1	PDCM_RSPST2	CH1_SNSDATA0
SOURCEID_3	0	NA	NA
	1	PDCM_RSPST3	CH1_SNSDATA1

[1] See [Section 11.2.18.1 "Periodic data collection mode response start time \(PDCM\\_RSPSTx\[12:0\]\)"](#)

[2] See [Section 11.2.25.2 "Channel data type 0 selection bits \(CHxDATATYPE0\)"](#) and See [Section 11.2.25.3 "Channel data type 1 selection bits \(CHxDATATYPE1\)"](#)

In PSI5 mode, the SOURCEID\_x register SIDx\_EN bit values control data transmissions as shown in [Table 94](#). The SOURCEID\_x bits have no effect in PSI5 mode.

**Table 94. PSI5 source identification (SOURCEID\_x)**

Source ID	Source ID enable (SIDx_EN)	Asynchronous mode		Synchronous mode		Daisy chain mode		Dual transmission mode	
		Transmission time	Transmission data	Transmission time <sup>[1]</sup>	Transmitted data <sup>[2]</sup>	Transmission time	Transmitted data	Transmission time	Transmitted data
SOURCEID_0	0	t <sub>ASync</sub>	CH0_SNSDATA0	NA	NA	See Section 13.8	CH0_SNSDATA0	PDCM_RSPST0	CH1_SNSDATA0, CH0_SNSDATA0 See Section 13.7
	1			PDCM_RSPST0	CH0_SNSDATA0				
SOURCEID_1	0	NA	NA	NA	NA	NA	NA	NA	NA
	1			PDCM_RSPST1	CH0_SNSDATA1				
SOURCEID_2	0	NA	NA	NA	NA	See Section 13.8	CH1_SNSDATA0	NA	NA
	1			PDCM_RSPST2	CH1_SNSDATA0				
SOURCEID_3	0	NA	NA	NA	NA	NA	NA	NA	NA
	1			PDCM_RSPST3	CH1_SNSDATA1				

[1] See Section 11.2.18.1 "Periodic data collection mode response start time (PDCM\_RSPSTx[12:0])"  
 [2] See Section 11.2.25.2 "Channel data type 0 selection bits (CHxDATATYPE0)" and Section 11.2.25.3 "Channel data type 1 selection bits (CHxDATATYPE1)"

In I<sup>2</sup>C mode, the SOURCEID\_x registers are readable and writable. See Section 15.6.3, for details regarding the effect of the SIDx\_EN bits.

**11.2.14 Communication timing register (TIMING\_CFG)**

The communication timing configuration register is a user programmed read/write register which contains user-specific con-figuration information for protocol timing. This register is included in the read/write array error detection.

This register is readable and writable in DSI3 mode, SPI mode, I<sup>2</sup>C mode or PSI5 Programming Mode.

**Table 95. Communication timing register (TIMING\_CFG)**

Location		Bit							
Address	Register	7	6	5	4	3	2	1	0
\$22	TIMING_CFG	PDCM_PER[2:0]			OSCTRAIN_SEL	CK_CAL_RST	CRM_PER[1:0]		CK_CAL_EN
Unprogrammed OTP Value		0	0	0	0	0	0	0	0

**11.2.14.1 Periodic data collection mode period (PDCM\_PER[3:0])**

The periodic data collection mode period selection bits set the data collection mode period to be used by the DSI3, SPI, PSI5, or I<sup>2</sup>C master as shown in Table 96. This value is only necessary for oscillator training and is only used if the CK\_CAL\_EN bit is set in the TIMING\_CFG register.

**Table 96. Periodic data collection mode period (PDCM\_PER[3:0])**

PDCM_PER[2]	PDCM_PER[1]	PDCM_PER[0]	Periodic data collection mode period
0	0	0	100 μs
0	0	1	125 μs
0	1	0	250 μs
0	1	1	333 μs
1	0	0	500 μs
1	0	1	800 μs

**Table 96. Periodic data collection mode period (PDCM\_PER[3:0])...continued**

PDCM_PER[2]	PDCM_PER[1]	PDCM_PER[0]	Periodic data collection mode period
1	1	0	1000 μs
1	1	1	2000 μs

In DSI3 mode, PDCM, and BDM commands are decoded and responded to regardless of the value of this register as long as the general PDCM timing parameters specified in [Section 10.11](#) are met. See [Section 11.5.1](#) for details regarding oscillator training.

In PSI5 synchronous mode, sync pulses are decoded and responded to regardless of the value of this register as long as the general timing parameters specified in [Section 10.12](#) are met. See [Section 11.5.1](#) for details regarding oscillator training.

In PSI5 asynchronous mode, oscillator training is not applicable.

In PSI5 Programming Mode, oscillator training is not applicable.

In PSI5 Daisy Chain command phase, oscillator training is not applicable.

In SPI mode, sensor data requests are decoded and responded to regardless of the value of this register as long as the general timing parameters specified in [Section 10.13](#) are met. See [Section 11.5.1](#) for details regarding oscillator training.

In I<sup>2</sup>C mode, sensor data register reads are decoded and responded to regardless of the value of this register as long as the general timing parameters specified in [Section 10.14](#) are met. See [Section 11.5.1](#) for details regarding oscillator training.

**11.2.14.2 Oscillator training protocol selection bit (OSCTRAIN\_SEL)**

The oscillator training selection bit selects the protocol to use for oscillator training for the COMMTYPE values that enable multiple protocols as shown in [Table 97](#).

**Table 97. Oscillator training protocol selection bit (OSCTRAIN\_SEL)**

COMMTYPE	OSCTRAIN_SEL	Protocol to use for oscillator training
0	0	DSI3
	1	SPI
1	0	PSI5
	1	SPI
2	x	SPI
3	x	DSI3
4	x	SPI
5	x	PSI5
6	x	I <sup>2</sup> C
7	x	I <sup>2</sup> C

**11.2.14.3 Clock calibration value reset (CK\_CAL\_RST)**

The clock calibration reset bit controls the state of the oscillator training when the CK\_CAL\_EN bit is cleared as described in the table in [Section 11.2.14.5](#). See [Section 11.5.1](#) for details regarding oscillator training.



**11.2.14.4 Command and response mode period (CRM\_PER[1:0])**

In DSI3 mode, the command and response mode period bits set the period for command and response mode commands in increments of the periodic data collection mode period (PDCM\_PER). This value is only necessary for DSI3 oscillator training and is only used if the CK\_CAL\_EN bit is set in the TIMING\_CFG register. command and response mode commands will be decoded and responded to regardless of the value of this register as long as the general command and response mode timing parameters specified in [Section 10.11](#) are met. See [Section 11.5.1](#) for details regarding oscillator training.

In SPI and I<sup>2</sup>C mode, the CRM\_PER[1:0] bits are readable and writable, but have no impact on device operation or performance.

In PSI5 mode, the CRM\_PER[1:0] bits are readable and writable, but have no impact on device operation or performance.

**Table 98. Command and response mode period (CRM\_PER[1:0])**

CRM_PER[1]	CRM_PER[0]	Command and response mode period (Multiples of the periodic data collection mode period)
0	0	1
0	1	2
1	0	4
1	1	8

**11.2.14.5 Clock calibration enable (CK\_CAL\_EN)**

The clock calibration enable bit enables oscillator training over the DSI3, PSI5, SPI, or I<sup>2</sup>C communication interface. See [Section 11.5.1](#) for details regarding oscillator training.

**Table 99. Clock calibration enable (CK\_CAL\_EN)**

CK_CAL_EN	CK_CAL_RST	Oscillator training
0	0	The oscillator value is maintained at the last trained value prior to clearing the CK_CAL_RST bit.
0	1	The oscillator value is reset to the untrained value with a tolerance specified in <a href="#">Section 10.20</a> .
1	x	Oscillator is trained as specified in <a href="#">Section 11.5.1</a>

**11.2.15 Chip time and bit time register (CHIPTIME)**

The chip time and bit time register is a user programmed read/write register which contains user-specific configuration information. This register is included in the read/write array error detection.

This register is readable and writable in DSI3 mode, SPI mode, I<sup>2</sup>C mode or PSI5 Programming Mode.

**Table 100. Chip time and bit time register (CHIPTIME)**

Location		Bit							
Address	Register	7	6	5	4	3	2	1	0
\$23	CHIPTIME	ST_RPT[1:0]		PSI5_ERRLATCH	SS_EN	CHIPTIME[3:0]			
Unprogrammed OTP Value		0	0	0	0	0	0	0	0

**Table 100. Chip time and bit time register (CHIPTIME)...continued**

Location		Bit							
Address	Register	7	6	5	4	3	2	1	0
FXLS93xxx Unprogrammed Default PSI5 Mode		0	0	0	0	1	0	0	0

**11.2.15.1 PSI5 self-test repetition bits (ST\_RPT[1:0])**

In PSI5 mode, the PSI5 self-test repetition bits set the maximum number of PSI5 self-test repetitions that the device will run before setting the ST\_ERROR bit. See [Section 6.6.2.5](#) for details regarding the PSI5 startup self-test.

**Table 101. PSI5 self-test repetition bits (ST\_RPT[1:0])**

ST_RPT[1]	ST_RPT[0]	Maximum PSI5 self-test repetitions
0	0	8
0	1	1
1	0	4
1	1	2

**11.2.15.2 PSI5 error latching enable bit (PSI5\_ERRLATCH)**

In PSI5 mode, the PSI5 error latching enable bit allows for users to disable the automatic error clearing mechanism for internal faults. When this bit is set, internal errors are latched until reset. See [Section 13.9.4](#) and [Section 13.9.5](#) for details regarding internal error handling.

**Table 102. PSI5 error latching enable bit (PSI5\_ERRLATCH)**

PSI5_ERRLATCH	PSI5 error handling
0	Error handling is as specified in <a href="#">Section 11.2.2</a> and <a href="#">Section 13.9.4</a>
1	Automatic error clearing is disabled and internal errors are latched until reset as specified in <a href="#">Section 13.9.5</a>

**11.2.15.3 Simultaneous sampling enable (SS\_EN)**

In DSI3 mode, the simultaneous sampling enable bit selects between one of two data latency methods. See [Section 12.4.7](#) for details regarding sample timing.

**Table 103. DSI3 simultaneous sampling enable (SS\_EN)**

SS_EN	Data latency
0	Synchronous Sampling Mode: Latency relative to transmission start time (PDCM_RSPST)
1	Simultaneous Sampling Mode: Latency relative to the start of the Periodic Data Collection Mode command (falling edge)

In PSI5 mode, the simultaneous sampling enable bit selects between one of two data latency methods to accommodate synchronized sampling or simultaneous sampling.

**Table 104. PSI5 simultaneous sampling enable (SS\_EN)**

SS_EN	Data latency
0	Synchronous Sampling Mode (Latency relative to Time Slot)
1	Simultaneous Sampling Mode (Latency relative to sync pulse)

In SPI mode, the simultaneous sampling enable bit selects between one of two data latency methods.

**Table 105. SPI simultaneous sampling enable (SS\_EN)**

SS_EN	Data latency
0	Synchronous sampling mode: The data for all sources is latent relative to the falling edge of slave select for the response to the Sensor Data Request for the corresponding SOURCEID.
1	Simultaneous sampling mode: The data for all sources is latent relative to the falling edge of slave select for the response to the Sensor Data Request for SOURCEID_0. If SOURCEID_0 is disabled, then the data for all SOURCEIDs is latent relative to the falling edge of slave select for the response to the Sensor Data Request for lowest enabled SOURCEID register address. <b>Note:</b> If multiple SOURCEIDs are enabled, sensor data for the higher SOURCEID register addresses only changes on a sensor data request for the lowest enabled SOURCEID register address. If continuous sensor data requests occur without sensor data requests for the lowest SOURCEID register address, sensor data will not be updated. Care must be taken by the user to ensure proper data transmissions.

In I<sup>2</sup>C mode, the simultaneous sampling enable bit is readable and writable but has no impact on device operation or performance.

**11.2.15.4 Chip time (CHIPTIME)**

In DSI3 mode, the CHIPTIME bits set the chip time for Periodic Data Collection Mode as described in [Table 106](#). The chip time for Command and Response Mode and Background Diagnostic Mode is always set to 5 µs with slew control enabled.

In PSI5 mode, the CHIPTIME bits set the bit time for the PSI5 response data as described in [Table 106](#).

**Table 106. Chip time (CHIPTIME)**

CHIPTIME[3]	CHIPTIME[2]	CHIPTIME[1]	CHIPTIME[0]	PSI5			DSI3		
				Period time	Baud rate	Slew control	Chip time	Chip rate	Slew control
0	0	0	0	5.3 µs	189 kHz	Enabled	1.0 µs	1000 kHz	Disabled
0	0	0	1	5.3 µs	189 kHz	Enabled	2.0 µs	500.0 kHz	Disabled
0	0	1	0	5.3 µs	189 kHz	Enabled	2.5 µs	400.0 kHz	Enabled
0	0	1	1	5.3 µs	189 kHz	Enabled	2.6 µs	384.6 kHz	Enabled
0	1	0	0	5.3 µs	189 kHz	Enabled	2.6 µs	384.6 kHz	Enabled
0	1	0	1	5.3 µs	189 kHz	Enabled	2.7 µs	370.3 kHz	Enabled
0	1	1	0	5.3 µs	189 kHz	Enabled	2.8 µs	357.1 kHz	Enabled
0	1	1	1	5.3 µs	189 kHz	Enabled	2.9 µs	344.8 kHz	Enabled
1	0	0	0	8.0 µs	125 kHz	Enabled	3.0 µs	333.3 kHz	Enabled
1	0	0	1	8.0 µs	125 kHz	Enabled	3.1 µs	322.6 kHz	Enabled
1	0	1	0	8.0 µs	125 kHz	Enabled	3.2 µs	312.5 kHz	Enabled
1	0	1	1	8.0 µs	125 kHz	Enabled	3.3 µs	303.0 kHz	Enabled
1	1	0	0	8.0 µs	125 kHz	Enabled	3.5 µs	294.1 kHz	Enabled

**Table 106. Chip time (CHIPTIME)...continued**

CHIPTIME[3]	CHIPTIME[2]	CHIPTIME[1]	CHIPTIME[0]	PSI5			DSI3		
				Period time	Baud rate	Slew control	Chip time	Chip rate	Slew control
1	1	0	1	8.0 μs	125 kHz	Enabled	4.0 μs	250.0 kHz	Enabled
1	1	1	0	8.0 μs	125 kHz	Enabled	4.5 μs	222.2 kHz	Enabled
1	1	1	1	8.0 μs	125 kHz	Enabled	5.0 μs	200.0 kHz	Enabled

In SPI and I<sup>2</sup>C mode, the CHIPTIME bits are readable and writable but have no impact on device operation or performance.

**11.2.16 Timing configuration #2 register (TIMING\_CFG2)**

The timing configuration #2 register is a user programmed read/write register which contains user-specific timing configuration information. This register is included in the read/write array error detection. See [Section 12.4](#) for details regarding Background Diagnostic Mode.

This register is readable and writable in DSI3 mode, SPI mode, I<sup>2</sup>C mode or PSI5 Programming Mode.

**Table 107. Timing configuration #2 register (TIMING\_CFG2)**

Location		Bit							
Address	Register	7	6	5	4	3	2	1	0
\$24	TIMING_CFG2	PSI5_INIT2_D19	OSCTRAIN_ERRCNT[2:0]			CAPTEST_OFF	RESERVED	BDM_FRAGSIZE	BDM_EN
Unprogrammed OTP Value		0	0	0	0	0	0	0	0

**11.2.16.1 PSI5 initialization phase 2 D19 and D20 change bit (PSI5\_INIT2\_D19)**

The PSI5 initialization phase 2 D19 and D20 change bit provides the option to change the data transmitted in PSI5 Initialization Phase 2 nibbles D19 and D20 as shown in [Table 108](#).

**Table 108. PSI5 initialization phase 2 D19 and D20 change bit (PSI5\_INIT2\_D19)**

PSI5_INIT2_D19	Initialization phase 2 data		Reference
	D19	D20	
0	SN4[7:4]	SN4[3:0]	<a href="#">Section 11.2.42</a> , <a href="#">Section 13.4.2.1</a>
1	USERDATA_6[7:4]	USERDATA_E[7:4]	<a href="#">Section 11.2.45.1</a> , <a href="#">Section 13.4.2.1</a>

In DSI3 mode, SPI mode, and I<sup>2</sup>C mode, the PSI5\_INIT2\_D19 bit is readable and writable, but has no impact on device operation or performance.

**11.2.16.2 Oscillator training error counter (OSCTRAIN\_ERRCNT[2:0])**

The oscillator training error counter bits use the number of 4 ms periods used to determine the error detection time for oscillator training as shown in [Table 109](#). See [Section 11.5.2](#) for details regarding oscillator training error detection.

**Table 109. Oscillator training error counter (OSCTRAIN\_ERRCNT[2:0])**

OSCTRAIN_ERRCNT[2:0]			4 ms periods counted before the OSCTRAIN error flag is set	Minimum time for error detection (ms)
0	0	0	64	256

Table 109. Oscillator training error counter (OSCTRAIN\_ERRCNT[2:0])...continued

OSCTRAIN_ERRCNT[2:0]			4 ms periods counted before the OSCTRAIN error flag is set	Minimum time for error detection (ms)
0	0	1	1	4
0	1	0	2	8
0	1	1	4	16
1	0	0	8	32
1	0	1	16	64
1	1	0	32	128
1	1	1	64	256

11.2.16.3 Capacitor test disable bit (CAPTEST\_OFF)

The capacitor test disable bit provides the option to disable the VBUF capacitor test in DSI3 mode as shown in [Table 110](#).

Table 110. Capacitor test disable bit (CAPTEST\_OFF)

CAPTEST_OFF	Capacitor test status
0	Capacitor test is operational as specified in <a href="#">Section 11.4.1</a>
1	Capacitor test will not run

If a capacitor error is present, the VBUFUV\_ERR bit is set in the DEVSTAT1 register as specified in [Section 11.4.1](#). The presence of the VBUFUV\_ERR will prevent the user from writing to the TIMING\_CFG2 register to disable the capacitor test unless and until the capacitor error recovers.

In SPI and I<sup>2</sup>C mode, the CAPTEST\_OFF bit is readable and writable, but has no impact on device operation or performance.

In PSI5 mode, the CAPTEST\_OFF bit is readable and writable, but has no impact on device operation or performance.

11.2.16.4 Background diagnostic mode fragment size (BDM\_FRAGSIZE)

The background diagnostic mode fragment size bit sets the number of background diagnostic command bits and response chips to be sent per Periodic Data Collection Mode sampling period.

Table 111. Background diagnostic mode fragment size (BDM\_FRAGSIZE)

BDM_FRAGSIZE	BDM command fragment size (Bits)	BDM response fragment size (Chips)
0	2	3
1	4	6

In SPI and I<sup>2</sup>C mode, the BDM\_FRAGSIZE bit is readable and writable, but has no impact on device operation or performance.

In PSI5 mode, the BDM\_FRAGSIZE bit is readable and writable, but has no impact on device operation or performance.

**11.2.16.5 Background diagnostic mode enable (BDM\_EN)**

The background diagnostic mode enable bit enables background diagnostic mode as described in [Table 112](#). See [Section 12.4](#) for details regarding background diagnostic mode.

**Table 112. Background diagnostic mode enable (BDM\_EN)**

BDM_EN	Background diagnostic mode
0	Disabled
1	Enabled

In SPI and I<sup>2</sup>C mode, the BDM\_EN bit is readable and writable, but has no impact on device operation or performance.

In PSI5 mode, the BDM\_EN bit is readable and writable, but has no impact on device operation or performance.

**11.2.17 PSI5 configuration register (PSI5\_CFG)**

The PSI5 configuration register is a user programmable OTP register that contains PSI5 specific configuration information. This register is included in the read/write array error detection.

This register is readable and writable in DSI3 mode, SPI mode, I<sup>2</sup>C mode or PSI5 programming mode.

**Table 113. PSI5 configuration register (PSI5\_CFG)**

Location		Bit							
Address	Register	7	6	5	4	3	2	1	0
\$25	PSI5_CFG	SYNC_PD	DAISY_CHAIN	PSI5_ILOW	DUALTRANS	EMSG_EXT	P_CRC	INIT2_EXT	ASYNC
Unprogrammed OTP Value		0	0	0	0	0	0	0	0
FXLS93xxx Unprogrammed Default PSI5 Mode		0	0	0	0	0	1	0	0

**11.2.17.1 Sync pulse pull-down enable bit (SYNC\_PD)**

In PSI5 mode, the sync pulse pull-down enable bit selects if the Sync pulse pull-down is enabled once a sync pulse is detected. See [Section 11.2.18.1](#) for more information regarding the sync pulse pulldown.

**Table 114. Sync pulse pull-down enable bit (SYNC\_PD)**

SYNC_PD	Sync pulse pull-down
0	Disabled
1	Enabled for all PSI5 operating modes

In DSI3 mode, the SYNC\_PD bit is readable and writable, but has no impact on device operation or performance.

In SPI and I<sup>2</sup>C mode, the SYNC\_PD bit is readable and writable, but has no impact on device operation or performance.

11.2.17.2 PSI5 daisy chain selection bit (DAISY\_CHAIN)

In PSI5 mode, the transmission mode selection bits select the PSI5 transmission mode as shown in [Table 115](#).

Table 115. PSI5 daisy chain selection bit (DAISY\_CHAIN)

DAISY_CHAIN	Operating mode	Response (PDCM_RSTST0)	Reference
0	Normal Mode (Asynchronous or Parallel, Synchronous)	SNSDATA0	<a href="#">Section 13.5</a>
1	Daisy Chain Mode	SNSDATA0	<a href="#">Section 13.8</a>

In DSI3 mode, the DAISY\_CHAIN bit is readable and writable, but has no impact on device operation or performance.

In SPI and I<sup>2</sup>C mode, the DAISY\_CHAIN bit is readable and writable, but has no impact on device operation or performance.

11.2.17.3 PSI5 low response current selection bit (PSI5\_ILOW)

In PSI5 mode, the PSI5 low response current selection bit selects the low PSI5 response current specified in [Section 10.4](#) as shown in [Table 116](#).

Table 116. PSI5 low response current selection bit (PSI5\_ILOW)

PSI5_ILOW	PSI5 response current
0	Normal Response Current
1	Low Response Current

In DSI3 mode, the PSI5\_ILOW bit is readable and writable, but has no impact on device operation or performance.

In SPI and I<sup>2</sup>C mode, the PSI5\_ILOW bit is readable and writable, but has no impact on device operation or performance.

11.2.17.4 Dual transmission mode (DUALTRANS)

In PSI5 mode, the dual transmission mode bit enables dual data transmission as described in [Section 13.7](#) only if the DAISY\_CHAIN bit is not set and the ASYNC bit is not set.

Table 117. Dual transmission mode (DUALTRANS)

DUALTRANS	SID3_EN	SID2_EN	SID1_EN	SID0_EN	Operating mode	Response PDCM_RSPST0	Response PDCM_RSPST1	Response PDCM_RSPST2	Response PDCM_RSPST3	Reference
0	As specified in <a href="#">Section 11.2.13.3</a>				Normal Mode Asynchronous or Synchronous, Parallel, Daisy Chain	CH0_SNSDATA0	CH0_SNSDATA1	CH1_SNSDATA0	CH1_SNSDATA1	<a href="#">Section 13.5</a> , <a href="#">Section 13.8</a>
1	x	x	0	0	No Transmission	None	None	None	None	<a href="#">Section 13.7</a>
	x	x	0	1	Dual Data Transmission Mode, Single Transmission	CONCATENATE (CH1_SNSDATA0, CH0_SNSDATA0)	None	None	None	
	x	x	1	0	Dual Data Transmission Mode, Single Transmission	None	CONCATENATE (CH1_SNSDATA1, CH0_SNSDATA1)	None	None	
	x	x	1	1	Dual Data Transmission Mode, Double Transmission	CONCATENATE (CH1_SNSDATA0, CH0_SNSDATA0)	CONCATENATE (CH1_SNSDATA1, CH0_SNSDATA1)	None	None	

In DSI3 mode, the DUALTRANS mode is readable and writable, but has no impact on device operation or performance.

In SPI and I<sup>2</sup>C mode, the DUALTRANS bits are readable and writable, but has no impact on device operation or performance.

**11.2.17.5 Error message information extension bit (MSG\_EXT)**

In PSI5 mode, the error message information extension bit enables or disables additional PSI5 error message information as shown in [Table 118](#).

**Table 118. Error message information extension bit (MSG\_EXT)**

MSG_EXT	Description
0	All internal Errors map to 0x1F4 (See <a href="#">Section 13.3.4</a> )
1	Additional PSI5 reserved codes are used for internal error distinction (See <a href="#">Section 13.3.4</a> )

In DSI3 mode, the MSG\_EXT bit is readable and writable, but has no impact on device operation or performance.

In SPI and I<sup>2</sup>C mode, the MSG\_EXT bit is readable and writable, but has no impact on device operation or performance.

**11.2.17.6 PSI5 response message error detection selection bit (P\_CRC)**

In PSI5 mode, the response message error detection selection bit selects either even parity, or a 3-bit CRC for error detection of the PSI5 response message. See [Section 11.2.18.1](#) for details regarding response message error detection.

**Table 119. PSI5 response message error detection selection bit (P\_CRC)**

P_CRC	Parity or CRC
0	Parity
1	CRC

In DSI3 mode, the P\_CRC bit is readable and writable, but has no impact on device operation or performance.

In SPI and I<sup>2</sup>C mode, the P\_CRC bit is readable and writable, but has no impact on device operation or performance.

**11.2.17.7 Initialization phase 2 data extension bit (INIT2\_EXT)**

In PSI5 mode, the initialization phase 2 data extension bit enables or disables data transmission in data fields D33 through D48 of PSI5 initialization phase 2 as shown in [Table 120](#).

**Table 120. Initialization phase 2 data extension bit (INIT2\_EXT)**

INIT2_EXT	Description
0	D33 through D48 are not transmitted
1	D33 through D48 are transmitted as defined in <a href="#">Section 13.4.2.1</a>

In DSI3 mode, the INIT2\_EXT bit is readable and writable, but has no impact on device operation or performance.



In SPI and I<sup>2</sup>C mode, the INIT2\_EXT bit is readable and writable, but has no impact on device operation or performance.

**11.2.17.8 Asynchronous mode bit (ASYNC)**

In PSI5 mode, the asynchronous mode bit enables asynchronous data transmission as described in [Section 11.2.18.1](#) only if the DAISY\_CHAIN bit is not set.

In DSI3 mode, the ASYNC bit is readable and writable, but has no impact on device operation or performance.

In SPI and I<sup>2</sup>C mode, the ASYNC bit is readable and writable, but has no impact on device operation or performance.

**11.2.18 DSI3 and PSI5 start time registers (PDCM\_RSPSTx\_x)**

The DSI3 and PSI5 start time registers are user programmed read/write registers which contain user-specific configuration information for DSI3 periodic data collection mode and PSI5 synchronous mode. These registers are included in the read/write array error detection.

These registers are readable and writable in DSI3 mode, SPI mode, I<sup>2</sup>C mode or PSI5 Programming Mode.

**Table 121. DSI3 and PSI5 start time registers (PDCM\_RSPSTx\_x)**

Location		Bit							
Address	Register	7	6	5	4	3	2	1	0
\$26	PDCM_RSPST0_L	PDCM_RSPST0[7:0]							
Unprogrammed OTP Value		0	0	0	0	0	0	0	0
FXLS93xxx Unprogrammed Default PSI5 Mode		0	0	1	0	1	1	1	1
\$27	PDCM_RSPST0_H	BRC_RSP0[1:0]		RESERVED		PDCM_RSPST0[12:8]			
Unprogrammed OTP Value		0	0	0	0	0	0	0	0
FXLS93xxx Unprogrammed Default PSI5 Mode		0	0	0	0	0	0	0	0
\$28	PDCM_RSPST1_L	PDCM_RSPST1[7:0]							
Unprogrammed OTP Value		0	0	0	0	0	0	0	0
FXLS93xxx Unprogrammed Default PSI5 Mode		0	0	0	0	0	0	0	0
\$29	PDCM_RSPST1_H	BRC_RSP1[1:0]		RESERVED		PDCM_RSPST1[12:8]			
Unprogrammed OTP Value		0	0	0	0	0	0	0	0
FXLS93xxx Unprogrammed Default PSI5 Mode		0	0	0	0	0	0	0	0
\$2A	PDCM_RSPST2_L	PDCM_RSPST2[7:0]							
Unprogrammed OTP Value		0	0	0	0	0	0	0	0
FXLS93xxx Unprogrammed Default PSI5 Mode		1	1	1	1	0	1	0	0
\$2B	PDCM_RSPST2_H	BRC_RSP2[1:0]		RESERVED		PDCM_RSPST2[12:8]			
Unprogrammed OTP Value		0	0	0	0	0	0	0	0

**Table 121. DSI3 and PSI5 start time registers (PDCM\_RSPSTx\_x)...continued**

Location		Bit							
Address	Register	7	6	5	4	3	2	1	0
FXLS93xxx Unprogrammed Default PSI5 Mode		0	0	0	0	0	0	0	0
\$2C	PDCM_RSPST3_L	PDCM_RSPST3[7:0]							
Unprogrammed OTP Value		0	0	0	0	0	0	0	0
FXLS93xxx Unprogrammed Default PSI5 Mode		0	0	0	0	0	0	0	0
\$2D	PDCM_RSPST3_H	BRC_RSP3[1:0]		RESERVED		PDCM_RSPST3[12:8]			
Unprogrammed OTP Value		0	0	0	0	0	0	0	0
FXLS93xxx Unprogrammed Default PSI5 Mode		0	0	0	0	0	0	0	0

**11.2.18.1 Periodic data collection mode response start time (PDCM\_RSPSTx[12:0])**

The periodic data collection mode response start time registers set the DSI3 periodic data collection mode or PSI5 synchronous mode response start time for the associated data and SOURCEID. The value is stored in 1.0 μs increments.

**Table 122. Periodic data collection mode response start time (PDCM\_RSPSTx[12:0])**

PDCM_RSPSTx[12:0]	Periodic data collection mode response start time
0	See <a href="#">Table 123</a>
0 < PDCM_RSPSTx[12:0] < 20	20.0 μs
20 < PDCM_RSPSTx[12:0]	PDCM response start = PDCM_RSPST x 1.0 μs

[Table 123](#) shows the relationship of the SOURCEID, the transmitted data, the response start times, and the default states for each set of registers in DSI3 periodic data collection mode. Care must be taken to prevent from programming response start times which cause data contention in the system.

**Table 123. Synchronous mode: Source ID response start time**

SOURCEID register	Transmitted data	Start time registers	Default start (PDCM_RSPSTx[12:0] = 0x00)
SOURCEID_0	CH0_SNSDATA0	PDCM_RSPST0[12:0]	Transmit Data with a start time of 20 μs
SOURCEID_1	CH0_SNSDATA1	PDCM_RSPST1[12:0]	Transmit Data with a start time of 20 μs
SOURCEID_2	CH1_SNSDATA0	PDCM_RSPST2[12:0]	Transmit Data with a start time of 20 μs
SOURCEID_3	CH1_SNSDATA1	PDCM_RSPST3[12:0]	Transmit Data with a start time of 20 μs

[Table 124](#) shows the PSI5 data transmission start times based on the values in the PDCM\_RSPSTx registers and the value of the ASYNC bit. Care must be taken to prevent from programming time slots which violate the PSI5 Version 1.3 specification, or time slots which will cause data contention.

**Table 124. Asynchronous mode: Source ID response start time**

ASYNC bit	SOURCEID register	Transmitted data	Time slot start time	Default start (PDCM_RSPSTx[12:0] = 0x00)
1	SOURCEID_0	CH0_SNSDATA0	Asynchronous Mode	t <sub>ASYNC</sub>

**Table 124. Asynchronous mode: Source ID response start time...continued**

ASYNC bit	SOURCEID register	Transmitted data	Time slot start time	Default start (PDCM_RSPSTx[12:0] = 0x00)
0	SOURCEID_0	CH0_SNSDATA0	PDCM_RSPST0[12:0]	Transmit Data with a start time of 20 μs
	SOURCEID_1	CH0_SNSDATA1	PDCM_RSPST1[12:0]	Transmit Data with a start time of 20 μs
	SOURCEID_2	CH1_SNSDATA0	PDCM_RSPST2[12:0]	Transmit Data with a start time of 20 μs
	SOURCEID_3	CH1_SNSDATA1	PDCM_RSPST3[12:0]	Transmit Data with a start time of 20 μs

In SPI and I<sup>2</sup>C mode, the PDCM\_RSPSTx registers are readable and writable, but have no impact on device operation or performance.

**11.2.18.2 Broadcast read command type selection bits (BRC\_RSP[1:0])**

The broadcast read command type selection bits select the broadcast read command types that the device responds to for each Source ID as shown in [Table 125](#):

**Table 125. Broadcast read command type selection bits (BRC\_RSP[1:0])**

BRC_RSP[1]	BRC_RSP[0]	Response
0	0	Respond to all Broadcast Read Commands
0	1	Respond to Broadcast Read Command 0 only
1	0	Respond to Broadcast Read Command 1 only
1	1	Respond to all Broadcast Read Commands

If a device is programmed to respond only to BRC0 or BRC1 commands, it will synchronize to alternate responses when BDM commands are received.

- If the last command prior to a BDM command is a BRC0, a device programmed to respond only to BRC0 commands will not respond to the first BDM command and will then respond to every other BDM command until the next BRC command is received.
- If the last command prior to a BDM command is a BRC0, a device programmed to respond only to BRC1 commands will respond to the first BDM command, and will then response to every other BDM command until the next BRC command is received.
- If the last command prior to a BDM command is a BRC1, a device programmed to respond only to BRC0 commands will respond to the first BDM command, and will then response to every other BDM command until the next BRC command is received.
- If the last command prior to a BDM command is a BRC1, a device programmed to respond only to BRC1 commands will not respond to the first BDM command and will then respond to every other BDM command until the next BRC command is received.

In PSI5 mode, the BRC\_RSP[1:0] bits are readable and writable, but have no impact on device operation or performance.

In SPI and I<sup>2</sup>C mode, the BRC\_RSP[1:0] bits are readable and writable, but have no impact on device operation or performance.

**11.2.19 DSI3 and PSI5 command blocking time registers (PDCM\_CMD\_B\_x)**

The DSI3 and PSI5 command blocking registers are user programmed read/write registers which contain user-specific con-figuration information for DSI3 mode and PSI5 mode. These registers are included in the read/write array error detection.

These registers are readable and writable in DSI3 mode, SPI mode, I<sup>2</sup>C mode or PSI5 programming mode.

**Table 126. DSI3 and PSI5 command blocking time registers (PDCM\_CMD\_B\_x)**

Location		Bit							
Address	Register	7	6	5	4	3	2	1	0
\$38	PDCM_CMD_B_L	PDCM_CMD_B[7:0]							
\$39	PDCM_CMD_B_H	RESERVED	RESERVED	RESERVED	PDCM_CMD_B[12:8]				
Unprogrammed OTP Value		0	0	0	0	0	0	0	0

In DSI3 mode, the DSI3 periodic data collection mode command blocking time bits set the periodic data collection mode command blocking time in 1.0 μs increments, with zero as the default value of 450 μs. For proper communication, the command blocking time must exceed the completion of the last source response transmission. See [Section 12.1.1](#) for details regarding the command receiver and command blocking.

Care must be taken to prevent from programming command blocking times which prevent proper command decoding in the system and to ensure proper sampling of the VHIGH voltage. As shown in [Section 12.1.1, Figure 63](#), the VHIGH voltage is initially captured at the end of the command blocking time and then filtered. The user must ensure that the command blocking end time is set for a time when no command or response transmissions are occurring to provide the most stable BUS\_I voltage.

**Table 127. DSI3 mode: Command blocking time bits**

PDCM_CMD_B[12:0]	Sync pulse blocking time
0	450 μs
Non-Zero	Sync Pulse Blocking Time = PDCM_CMD_B x 1 μs

In PSI5 mode, the command blocking time bits set the PSI5 sync pulse blocking time in 1.0 μs increments, with zero as the default value of 450 μs. See [Section 13.2.1](#) for details regarding the PSI5 sync pulse receiver and command blocking.

Care must be taken to prevent from programming command blocking times which prevent proper sync pulse decoding in the system and to ensure proper sampling of the PSI5 voltage.

**Table 128. PSI5 mode: Command blocking time bits**

PDCM_CMD_B[12:0]	Sync pulse blocking time
0, 1, 2, 3, 4, 5, 6, 7, 8, 9	450 μs
10 - 8191	Sync Pulse Blocking Time = PDCM_CMD_B x 1 μs

In SPI and I<sup>2</sup>C mode, the PDCM\_CMD\_B bits are readable and writable, but have no impact on device operation or performance.

### 11.2.20 SPI configuration control register

In SPI mode, the SPI configuration control register is a user programmed read/write register which contains the SPI protocol configuration information. This register is included in the read/write array error detection.

This register is readable and writable in DSI3 mode, SPI mode, I<sup>2</sup>C mode or PSI5 programming mode.

**Table 129. SPI configuration control register**

Location		Bit							
Address	Register	7	6	5	4	3	2	1	0
\$3D	SPI_CFG	SPI_STATUS	DATASIZE	SPI_CRC_LEN[1:0]		SPICRCSEED[3:0]			
Unprogrammed OTP Value		0	0	0	0	0	0	0	0

#### 11.2.20.1 SPI status reporting selection bit (SPI\_STATUS)

The SPI status reporting bit controls the reporting of the SPI basic status as shown in [Table 130](#). See [Section 14.5](#).

**Table 130. SPI status reporting selection bit (SPI\_STATUS)**

SPI_STATUS	SPI basic status reporting
0	As documented in <a href="#">Section 14.5.1</a>
1	As documented in <a href="#">Section 14.5.2</a>

In DSI3 mode, the SPI\_STATUS bit is readable and writable, but has no impact on device operation or performance.

In PSI5 mode, the SPI\_STATUS bit is readable and writable, but has no impact on device operation or performance.

In I<sup>2</sup>C mode, the SPI\_STATUS bit is readable and writable, but has no impact on device operation or performance.

#### 11.2.20.2 SPI data field size bit (DATASIZE)

The SPI data field size bit controls the size of the SPI data field as shown in [Table 131](#). See [Section 11.6.4.9](#).

**Table 131. SPI data field size bit (DATASIZE)**

DATASIZE	SPI data field size
0	12-bits
1	16-bits

In DSI3 mode, the DATASIZE bit is readable and writable, but has no impact on device operation or performance.

In PSI5 mode, the DATASIZE bit is readable and writable, but has no impact on device operation or performance.

In I<sup>2</sup>C mode, the DATASIZE bit is readable and writable, but has no impact on device operation or performance.

**11.2.20.3 SPI CRC length and seed bits (SPI\_CRC\_LEN[1:0], SPICRCSEED[3:0])**

The SPI\_CRC\_LEN[1:0] bits select the CRC length for SPI mode as shown in [Table 132](#). The SPI CRC seed bits contain the seed used for the SPI Mode. The default SPI CRC is an 8-bit. When the SPI\_CRC\_LEN[1:0] bits are set to a non-zero value using a register write command, the SPI CRC changes as defined in the table. The new polynomial value is enabled for both MISO and MOSI on the next SPI mode command.

The default seed (SPICRCSEED[3:0] = 0x0) is 0xFF for an 8-bit CRC. When the value is changed to a non-zero value using a register write command, the SPI CRC seed changes to the value programmed as shown in the table. The new seed value is enabled for both MISO and MOSI on the next SPI mode command.

**Table 132. SPI CRC length and seed bits (SPI\_CRC\_LEN[1:0], SPICRCSEED[3:0])**

SPI_CRC_LEN[1:0]		SPICRCSEED	CRC polynomial	CRC seed
0	0	0	$x^8 + x^5 + x^3 + x^2 + x + 1$	1111, 1111
		Non-Zero		1111, SPICRCSEED[3:0]
0	1	0	$x^4 + 1$	1010
		Non-Zero		SPICRCSEED[3:0]
1	0	0	$x^3 + x + 1$	111
		Non-Zero		SPICRCSEED[2:0]
1	1	0	$x^3 + x + 1$	111
		Non-Zero		SPICRCSEED[2:0]

In PSI5 mode, the SPI CRC bits are readable and writable, but have no impact on device operation or performance.

In DSI3 mode, the SPI CRC bits are readable and writable, but have no impact on device operation or performance.

In I<sup>2</sup>C mode, the SPI CRC bits are readable and writable, but have no impact on device operation or performance.

**11.2.21 Who Am I register**

The Who Am I register is a user programmed read/write register which contains the unique product identifier for I<sup>2</sup>C mode. The register is readable in all modes. This register is included in the read/write array error detection.

This register is readable and writable in DSI3 mode, SPI mode, I<sup>2</sup>C mode or PSI5 Programming Mode.

**Table 133. Who Am I register**

Location		Bit							
Address	Register	7	6	5	4	3	2	1	0
\$3E	WHO_AM_I	WHO_AM_I[7:0]							
Unprogrammed OTP Value		0	0	0	0	0	0	0	0

**Table 133. Who Am I register...continued**

Location		Bit							
Address	Register	7	6	5	4	3	2	1	0
Unprogrammed Read Value		1	1	0	0	0	1	0	0

The default register value is 0x00. If the register value is 0x00, a value of 0xC4 is transmitted in response to a read command. For all other register values, the actual register value is transmitted in response to a read command.

**Table 134. WHO\_AM\_I bits**

WHO_AM_I Register Value (HEX)	Response to a register read command
0X00	0xC4
0X01 Through 0xFF	Actual register value

### 11.2.22 I<sup>2</sup>C slave address register

The I<sup>2</sup>C slave address register is a user programmed read/write register which contains the unique I<sup>2</sup>C slave address. The register is readable in all modes. This register is included in the read/write array error detection.

This register is readable and writable in DSI3 mode, SPI mode, I<sup>2</sup>C mode or PSI5 Programming Mode.

**Table 135. I<sup>2</sup>C slave address register**

Location		Bit							
Address	Register	7	6	5	4	3	2	1	0
\$3F	I2C_ADDRESS	I2C_ADDRESS[7:0]							
Unprogrammed OTP Value		0	0	0	0	0	0	0	0
Unprogrammed Read Value		0	1	1	0	0	0	0	0

The default register value is 0x00. If the register value is 0x00, the I<sup>2</sup>C slave address is 0x60 and a value of 0x60 is transmitted in response to a read command. For all other register values, the I<sup>2</sup>C slave address is the lower 7 bits of the actual register value and the actual register value is transmitted in response to a read command.

**Table 136. I2C\_ADDRESS bits**

I2C_ADDRESS register value (HEX)	Response to a register read command	I <sup>2</sup> C slave address
0x00, 0x80	0x60	0x60
0x01 Through 0x7F, 0x81 Through 0xFF	Actual Register Value	I2C_ADDRESS[6:0]

### 11.2.23 Channel 0 and Channel 1 user configuration #1 registers (CH0\_CFG\_U1, CH1\_CFG\_U1)

The Channel 0 and Channel 1 user configuration #1 registers are user programmable read/write registers which contain channel-specific configuration information. These registers are included in the read/write array error detection.

These registers are readable and writable in DSI3 mode, SPI mode, I<sup>2</sup>C mode or PSI5 programming mode.

**Table 137. Channel 0 and Channel 1 user configuration #1 registers (CH0\_CFG\_U1, CH1\_CFG\_U1)**

Location		Bit							
Address	Register	7	6	5	4	3	2	1	0
\$40	CH0_CFG_U1	LPF[3:0]				SAMPLERATE[1:0]		USER_SNS_SHIFT[1:0]	
\$48	CH1_CFG_U1	LPF[3:0]				SAMPLERATE[1:0]		USER_SNS_SHIFT[1:0]	
Unprogrammed OTP Value		0	0	0	0	0	0	0	0

**11.2.23.1 Low-pass filter and sample rate selection bits (LPF[3:0], SAMPLERATE[1:0])**

The low-pass filter selection bits and sample rate bits select the low-pass filter for the associated channel. See [Section 11.6.4.4](#) for details regarding the low-pass filter.

**Table 138. Low-pass filter and sample rate selection bits (LPF[3:0], SAMPLERATE[1:0])**

LPF[3]	LPF[2]	LPF[1]	LPF[0]	Low-pass filter type		
				SAMPLERATE = 00, 01	SAMPLERATE = 10	SAMPLERATE = 11
				16 $\mu$ s	32 $\mu$ s	64 $\mu$ s
0	0	0	0	400 Hz, 4-Pole	200 Hz, 4-Pole	100 Hz, 4-Pole
0	0	0	1	400 Hz, 3-Pole	200 Hz, 3-Pole	100 Hz, 3-Pole
0	0	1	0	400 Hz, 4-Pole	200 Hz, 4-Pole	100 Hz, 4-Pole
0	0	1	1	400 Hz, 3-Pole	200 Hz, 3-Pole	100 Hz, 3-Pole
0	1	0	0	325 Hz, 3-Pole	162.5 Hz, 3-Pole	81.25 Hz, 3-Pole
0	1	0	1	370 Hz, 2-Pole	185 Hz, 2-Pole	92.5 Hz, 2-Pole
0	1	1	0	180 Hz, 2-Pole	90 Hz, 2-Pole	45 Hz, 2-Pole
0	1	1	1	100 Hz, 2-Pole	50 Hz, 2-Pole	25 Hz, 2-Pole
1	0	0	0	1500 Hz, 4-Pole	750 Hz, 4-Pole	375 Hz, 4-Pole
1	0	0	1	500 Hz, 3-Pole	250 Hz, 3-Pole	125 Hz, 3-Pole
1	0	1	0	800 Hz, 4-Pole	400 Hz, 4-Pole	200 Hz, 4-Pole
1	0	1	1	1200 Hz, 4-Pole	600 Hz, 4-Pole	300 Hz, 4-Pole
1	1	0	0	120 Hz, 3-Pole	60 Hz, 3-Pole	30 Hz, 3-Pole
1	1	0	1	20 kHz, 2-Pole	10 kHz, 2-Pole	5 kHz, 2-Pole
1	1	1	0	120 Hz, 2-Pole	60 Hz, 2-Pole	30 Hz, 2-Pole
1	1	1	1	50 Hz, 4-Pole	25 Hz, 4-Pole	12.5 Hz, 4-Pole

Changes to these register bits reset the DSP data path. The contents of the SNSDATA\_x registers are not guaranteed until the DSP has completed initialization as specified in [Section 10.20](#). Reads of the SNSDATA\_x registers and Sensor Data requests should be prevented during this time.

**11.2.23.2 User sensitivity shift selection bits (U\_SNS\_SHIFT[1:0])**

The user sensitivity selection bits are used along with the user sensitivity multiplier bits to scale the output sensitivity of the device. See [Section 11.2.24.1](#) for details.



**11.2.24 Channel 0 and Channel 1 user configuration #2 registers (CH0\_CFG\_U2, CH1\_CFG\_U2)**

The Channel 0 and Channel 1 user configuration #2 registers are user programmable read/write registers which contain channel-specific configuration information. The registers are included in the read/write array error detection.

These registers are readable and writable in DSI3 mode, SPI mode, I<sup>2</sup>C mode or PS15 programming mode.

**Table 139. Channel 0 and Channel 1 user configuration #2 registers (CH0\_CFG\_U2, CH1\_CFG\_U2)**

Location		Bit							
Address	Register	7	6	5	4	3	2	1	0
\$41	CH0_CFG_U2	U_SNS_MULT[7]	U_SNS_MULT[6]	U_SNS_MULT[5]	U_SNS_MULT[4]	U_SNS_MULT[3]	U_SNS_MULT[2]	U_SNS_MULT[1]	U_SNS_MULT[0]
\$49	CH1_CFG_U2	U_SNS_MULT[7]	U_SNS_MULT[6]	U_SNS_MULT[5]	U_SNS_MULT[4]	U_SNS_MULT[3]	U_SNS_MULT[2]	U_SNS_MULT[1]	U_SNS_MULT[0]
Unprogrammed OTP Value		0	0	0	0	0	0	0	0

**11.2.24.1 User sensitivity multiplier bits (U\_SNS\_MULT[7:0])**

The user sensitivity multiplier bits are used along with the user sensitivity shift bits to scale the output sensitivity of the device. [Equation 1](#) describes the scaling:

$$OutputSensitivity = TrimSensitivity \times SensitivityShiftFactor \times \frac{256 + SensitivityMultiplier}{256} \tag{1}$$

Where:

- TrimSensitivity = The default trimmed sensitivity of the device, as specified in [Section 10.6](#)
- SensitivityMultiplier = The unsigned multiplier value contained in the U\_SNS\_MULT[7:0] bits
- SensitivityShiftFactor = The Shift Factor selected by the U\_SNS\_SHIFT[1:0] bits as described in [Table 140](#)

**Table 140. Sensitivity shift factors**

Device Type	U_SNS_SHIFT[1]	U_SNS_SHIFT[0]	Sensitivity shift factor
Normal Range	0	0	0.25
Normal Range	0	1	0.50
Normal Range	1	0	1
Normal Range	1	1	2

[Table 141](#) shows some example user shift and multiplier values for typical full scale ranges ( $\pm 2047$ , 12 bit):

**Table 141. Example user shift and multiplier configuration for typical scale range**

Device type	Desired range (g)	Desired sensitivity (12 bit, LSB/g)	NXP trim (12 bit, LSB/g)	User sensitivity shift factor		User multiplier value		Actual sensitivity 16 bit register Chx_SNS-DATAx LSB/g)	Actual sensitivity 10 bit Sensor data request, LSB/g	Actual sensitivity 12 bit Sensor data request, LSB/g	Actual sensitivity 16 bit Sensor data request, LSB/g
				U_SNS_SHIFT (HEX)	Shift Factor	U_SNS_MULT (HEX)	Multiplier value (Dec)				
Low g	1.50	1364.6667	341.8343	0x3	2	0xFF	255	2729.333	341.1667	1364.6667	21834.67
	1.75	1169.7143	341.8343	0x3	2	0xB6	182	2339.429	292.4286	1169.7143	18715.43
	2.00	1023.5000	341.8343	0x3	2	0x7F	127	2045.665	255.7081	1022.8324	16365.32
	3.00	682.3333	341.8343	0x2	1	0xFF	255	1364.667	170.5833	682.3333	10917.33
	3.50	584.8571	341.8343	0x2	1	0xB6	182	1169.714	146.2143	584.8571	9357.714
	3.75	545.8667	341.8343	0x2	1	0x99	153	1092.267	136.5334	546.1337	8738.139
	4.00	511.7500	341.8343	0x2	1	0x7F	127	1022.832	127.8541	511.4162	8182.659
	5.00	409.4000	341.8343	0x2	1	0x33	51	819.8682	102.4835	409.9341	6558.946
	5.98	341.8343	341.8343	0x2	1	0x00	0	683.6686	85.4586	341.8343	5469.349
	6.00	341.1667	341.8343	0x1	0.5	0xFF	255	682.3334	85.2917	341.1667	5458.667
	7.50	272.9333	341.8343	0x1	0.5	0x99	153	546.1338	68.2667	273.0669	4369.070
	8.00	255.8750	341.8343	0x1	0.5	0x7F	127	511.4162	63.9270	255.7081	4091.330
	10.00	204.7000	341.8343	0x1	0.5	0x33	51	409.9342	51.2418	204.9671	3279.474
	12.00	170.5833	341.8343	0x0	0.25	0xFF	255	341.1666	42.6458	170.5833	2729.333
	15.00	136.4667	341.8343	0x0	0.25	0x99	153	273.0668	34.1333	136.5334	2184.534
20.00	102.3500	341.8343	0x0	0.25	0x33	51	204.9670	25.6209	102.4835	1639.736	
23.95	85.4586	341.8343	0x0	0.25	0x00	0	170.9170	21.3646	85.4586	1367.338	
Medium g	15.5	131.7246	33.0161	0x3	2	0xFF	255	263.6130	32.9516	131.8065	2108.904
	16	127.9375	33.0161	0x3	2	0xF0	240	255.8748	31.9844	127.9374	2046.998
	20	102.3500	33.0161	0x3	2	0x8D	141	204.8030	25.6004	102.4015	1638.424
	25	81.8800	33.0161	0x3	2	0x3D	61	163.5328	20.4416	81.7664	1308.262
	35	58.4857	33.0161	0x2	1	0xC5	197	116.8460	14.6058	58.4230	934.7680
	50	40.9400	33.0161	0x2	1	0x3D	61	81.7664	10.2208	40.8832	654.1312
	60	34.1167	33.0161	0x2	1	0x09	9	68.3536	8.5442	34.1768	546.8288
	62	33.0161	33.0161	0x2	1	0x00	0	66.0322	8.2540	33.0161	528.2576
	62.5	32.7520	33.0161	0x1	0.5	0xFC	252	65.5164	8.1896	32.7582	524.1312
	75	27.2933	33.0161	0x1	0.5	0xA7	167	54.5540	6.8193	27.2770	436.4320
	85.3	24.0000	33.0161	0x1	0.5	0x74	116	47.9766	5.9971	23.9883	383.8128
	100	20.4700	33.0161	0x1	0.5	0x3D	61	40.8832	5.1104	20.4416	327.0656
	105	19.5000	33.0161	0x1	0.5	0x2E	46	38.9486	4.8686	19.4743	311.5888
	112.5	18.2000	33.0161	0x1	0.5	0x1A	26	36.3692	4.5462	18.1846	290.9536
	125	16.3760	33.0161	0x0	0.25	0xFC	252	32.7582	4.0948	16.3791	262.0656
128	16.0000	33.0161	0x0	0.25	0xF0	240	31.9844	3.998	15.9922	255.8752	
150	13.6467	33.0161	0x0	0.25	0xA7	167	27.2770	3.4096	13.6385	218.2160	
High g	50	40.9400	10.9465	0x3	2	0xDF	223	81.9278	10.2410	40.9639	655.4224
	60	34.1167	10.9465	0x3	2	0x8F	143	68.2446	8.5306	34.1223	545.9568
	62	33.0161	10.9465	0x3	2	0x82	130	66.0210	8.2526	33.0105	528.1680
	62.5	32.7520	10.9465	0x3	2	0x7F	127	65.5080	8.1885	32.7540	524.0640
	100	20.4700	10.9465	0x2	1	0xDF	223	40.9638	5.1205	20.4819	327.7104
	105	19.5000	10.9465	0x2	1	0xC8	200	38.9970	4.8746	19.4985	311.9760
	112.5	18.2000	10.9465	0x2	1	0xAA	170	36.4314	4.5539	18.2157	291.4512
	125	16.3760	10.9465	0x2	1	0x7F	127	32.7540	4.0943	16.3770	262.0320
	128	16.0000	10.9465	0x2	1	0x76	118	31.9844	3.9981	15.9922	255.8752
	150	13.6467	10.9465	0x2	1	0x3F	63	27.2808	3.4101	13.6404	218.2464
	187	10.9465	10.9465	0x2	1	0x00	0	21.8930	2.7366	10.9465	175.1440
	250	8.1880	10.9465	0x1	0.5	0x7F	127	16.3770	2.0471	8.1885	131.0160
	312.5	6.5504	10.9465	0x1	0.5	0x32	50	13.0844	1.6356	6.5422	104.6752
375	5.4587	10.9465	0x0	0.25	0xFF	255	10.9252	1.3657	5.4626	87.4016	

**Table 141. Example user shift and multiplier configuration for typical scale range...continued**

Device type	Desired range (g)	Desired sensitivity (12 bit, LSB/g)	NXP trim (12 bit, LSB/g)	User sensitivity shift factor		User multiplier value		Actual sensitivity 16 bit register Chx_SNS-DATAx LSB/g	Actual sensitivity 10 bit Sensor data request, LSB/g	Actual sensitivity 12 bit Sensor data request, LSB/g	Actual sensitivity 16 bit Sensor data request, LSB/g
				U_SNS_SHIFT (HEX)	Shift Factor	U_SNS_MULT (HEX)	Multiplier value (Dec)				
	500	4.0940	10.9465	0x0	0.25	0x7F	127	8.1884	1.0236	4.0942	65.5072

**Note:** [Table 141](#) includes some typical device ranges. Other ranges are possible with the user-selected shift and multiplier values.

[Table 142](#) shows some example user shift and multiplier values for typical PSI5 full scale ranges ( $\pm 480$ , 10 bit):

**Table 142. Example user shift and multiplier configuration for typical psi5 scale range**

Device type	Desired range (g)	Desired sensitivity (10 bit, LSB/g)	NXP trim (10 bit, LSB/g)	NXP trim (16 bit, LSB/g)	User sensitivity shift factor		User multiplier value		Actual sensitivity (PSI5 10 bit, LSB/g)	Actual sensitivity (PSI5 16 bit, LSB/g)
					U_SNS_SHIFT (HEX)	Shift Factor	U_SNS_MULT (HEX)	Multiplier value (Dec)		
Medium g	15	32.0000	8.2540	528.256	0x3	2	0xF0	240	31.9844	2047.00
	20	24.0000	8.2540	528.256	0x3	2	0x74	116	23.9883	1535.25
	30	16.0000	8.2540	528.256	0x2	1	0xF0	240	15.9922	1023.50
	60	8.0000	8.2540	528.256	0x1	0.5	0xF0	240	7.9961	511.500
	120	4.0000	8.2540	528.256	0x0	0.25	0xF0	240	3.9980	255.875
High g	60	8.0000	2.7366	175.142	0x3	2	0x76	118	7.9961	511.749
	120	4.0000	2.7366	175.142	0x2	1	0x76	118	3.9980	255.874
	240	2.0000	2.7366	175.142	0x1	0.5	0x76	118	1.9990	127.937
	480	1.0000	2.7366	175.142	0x0	0.25	0x76	118	0.9995	63.9686

**Note:** [Table 142](#) includes some typical device ranges. Other ranges are possible with the user-selected shift and multiplier values.

### 11.2.25 Channel 0 and Channel 1 user configuration #3 registers (CH0\_CFG\_U3, CH1\_CFG\_U3)

The Channel 0 and Channel 1 user configuration #3 registers are user programmable read/write registers which contain channel-specific configuration information. The registers are included in the read/write array error detection.

These registers are readable and writable in DSI3 mode, SPI mode, I<sup>2</sup>C mode or PSI5 Programming Mode.

**Table 143. Channel 0 and Channel 1 user configuration #3 registers (CH0\_CFG\_U3, CH1\_CFG\_U3)**

Location		Bit							
Address	Register	7	6	5	4	3	2	1	0
\$42	CH0_CFG_U3	UNSIGN EDDATA	DATATYPE0[1:0]		DATATYPE1[2:0]		MOVEAVG[1:0]		
\$4A	CH1_CFG_U3	UNSIGN EDDATA	DATATYPE0[1:0]		DATATYPE1[2:0]		MOVEAVG[1:0]		
Unprogrammed OTP Value		0	0	0	0	0	0	0	0

#### 11.2.25.1 Unsigned data select bit (UNSIGNEDDATA)

The unsigned data selection bit selects signed or unsigned data for the register and sensor data transmissions as shown in [Table 144](#).

**Table 144. Unsigned data select bit (UNSIGNEDDATA)**

UNSIGN EDDATA	Register values		DATATYPE transmissions	
	CHx_SNSDATA0	CHx_SNSDATA1	Sensor data (DSI, SPI)	Sensor data (PSI5)
Channel Sensor Data				

Table 144. Unsigned data select bit (UNSIGNEDDATA)...continued

UNSIGN EDDATA	Register values		DATATYPE transmissions	
	CHx_SNSDATA0	CHx_SNSDATA1	Sensor data (DSI, SPI)	Sensor data (PSI5)
0	Signed Data	Signed Data	Signed Data	Signed Data
1	Unsigned Data	Unsigned Data	Unsigned Data	
Temperature Sensor Data				
0	As specified in <a href="#">Section 11.7.2</a>			
1				

11.2.25.2 Channel data type 0 selection bits (CHxDATATYPE0)

The Channel Data Type 0 selection bits select the type of data to be included in the SNSDATA0\_L and SNSDATA0\_H registers for each channel.

Table 145. Channel data type 0 selection bits (CHxDATATYPE0)

CHxDATA TYPE0[1]	CHxDATA TYPE0[0]	Data transmitted			
		Data transmitted	Offset canceled?	Moving average?	Interpolation?
0	0	CHx Sensor Data	Selected by OC_-FILT[1:0]	Selected by MOVEA VG[1:0]	Selected by MOVEA VG[1:0]
0	1	CHx Sensor Data	No		
1	0	Temperature Sensor Data (As specified in <a href="#">Section 11.7.2</a> )			
1	1				

11.2.25.3 Channel data type 1 selection bits (CHxDATATYPE1)

The Channel data type 1 selection bits select the type of data to be included in the SNSDATA1\_L and SNSDATA1\_H registers for each channel.

Table 146. Channel data type 1 selection bits (CHxDATATYPE1)

CHxDATA TYPE1[2]	CHxDATA TYPE1[1]	CHxDATA TYPE1[0]	Data transmitted			
			Data transmitted	Offset canceled?	Moving average?	Interpolation?
0	0	0	CHx Sensor Data	Selected by OC_-FILT[1:0]	Selected by MOVEA VG[1:0]	No
0	0	1	CHx Sensor Data	No	Selected by MOVEA VG[1:0]	No
0	1	0	Temperature Sensor Data (As specified in <a href="#">Section 11.7.2</a> )			
0	1	1				
1	0	0	CHx Sensor Data	Selected by OC_-FILT[1:0]	No	No
1	0	1	CHx Sensor Data	No	Selected by MOVEA VG[1:0]	No

Table 146. Channel data type 1 selection bits (CHxDATATYPE1)...continued

CHxDATA TYPE1[2]	CHxDATA TYPE1[1]	CHxDATA TYPE1[0]	Data transmitted			
			Data transmitted	Offset canceled?	Moving average?	Interpolation?
1	1	0	Temperature Sensor Data (As specified in <a href="#">Section 11.7.2</a> )			
1	1	1				

11.2.25.4 Signal chain moving average selection bits (MOVEAVG[1:0])

The signal chain moving average selection bits determine the input sample period to be used for the signal chain moving average filter.

Table 147. Signal chain moving average selection bits (MOVEAVG[1:0])

MOVEAVG[1]	MOVEAVG[0]	Typical signal sampling period (Dependent on oscillator) (µs)	Signal chain moving average	Interpolation
0	0	Determined by LPF	Bypassed	Enabled
0	1	32	8 Sample Moving Average	Disabled
1	0	64	8 Sample Moving Average	Disabled
1	1	128	8 Sample Moving Average	Disabled

Changes to these register bits reset the DSP data path. The contents of the SNSDATA\_x registers are not guaranteed until the DSP has completed initialization as specified in [Section 10.20](#). Reads of the SNSDATA\_x registers and Sensor Data requests should be prevented during this time.

11.2.26 Channel 0 and Channel 1 user configuration #4 registers (CH0\_CFG\_U4, CH1\_CFG\_U4)

The Channel 0 and Channel 1 user configuration #4 registers are user programmable read/write registers which contain channel-specific configuration information. These registers are included in the read/write array error detection.

These registers are readable and writable in DS13 mode, SPI mode, I<sup>2</sup>C mode or PS15 Programming Mode.

Table 148. Channel 0 and Channel 1 user configuration #4 registers (CH0\_CFG\_U4, CH1\_CFG\_U4)

Location		Bit							
Address	Register	7	6	5	4	3	2	1	0
\$43	CH0_CFG_U4	RESET_OC	INVERT	OC_FILT[1:0]		PCM	ARM_CFG[2:0]		
\$4B	CH1_CFG_U4	RESET_OC	INVERT	OC_FILT[1:0]		PCM	ARM_CFG[2:0]		
Unprogrammed OTP Value		0	0	0	0	0	0	0	0

11.2.26.1 Reset offset cancellation startup bit (RESET\_OC)

When the reset offset cancellation startup bit is written to logic 1, the offset cancellation startup is forced to phase 0 and follows the phase advancement as documented in [Section 11.6.4.6](#). The RESET\_OC bit is cleared when the offset cancellation phase reaches phase 1.

**11.2.26.2 Signal inversion bit (INVERT)**

The signal inversion bit provides the option to invert the polarity of the sensor signals as shown in [Table 149](#).

**Table 149. Signal inversion bit (INVERT)**

INVERT	Acceleration sensor data	Fixed pattern self-test	Digital self-test	Analog self-test		Temperature
0	As shown in <a href="#">Section 8</a> .	As specified in <a href="#">Section 11.2.27.1</a>	Digital Self-Test Activation results in the values specified in <a href="#">Section 10.8</a> .	Positive Self-Test:	Delta from Offset as specified in <a href="#">Section 10</a>	As specified in <a href="#">Section 11.7.2</a>
				Negative Self-Test:	Delta from Offset inverted from the specified values in <a href="#">Section 10.8</a> (Negative Values)	
1	Inverted polarity from that shown in <a href="#">Section 8</a>		Digital Self-Test Activation results in the two's complement of the values specified in <a href="#">Section 10.8</a> .	Positive Self-Test:	Delta from Offset inverted from the specified values in <a href="#">Section 10.8</a> (Negative Values)	
				Negative Self-Test:	Delta from Offset as specified in <a href="#">Section 10</a>	

**11.2.26.3 Offset cancellation filter selection bits (OC\_FILT[1:0])**

The offset cancellation filter selection bits provide the option to bypass the offset cancellation filter and the rate limiting for the associated channel. See [Section 11.6.4.6](#) for details regarding offset cancellation.

**Table 150. Offset cancellation filter selection bits (OC\_FILT[1:0])**

OC_FILT[1]	OC_FILT[0]	Offset cancellation IIR filter	Offset cancellation rate limiting
0	0	0.04 Hz	Enabled
0	1	0.04 Hz	Bypassed
1	0	0.005 Hz	Bypassed
1	1	Bypassed	Bypassed

**11.2.26.4 Arming pin configuration bits (ARM\_CFG[2:0]) and PCM range selection bit (PCM)**

The ARM configuration bits (ARM\_CFG[2:0]) select the mode of operation for the arming pins.

**Table 151. Arming pin configuration bits (ARM\_CFG[2:0]) and PCM range selection bit (PCM)**

ARM_CFG[2]	ARM_CFG[1]	ARM_CFG[0]	PCM	Operating mode	Output type	Reference
0	0	0	x	Arm/PCM Output Disabled	High Impedance	
0	0	1	0	Arm/PCM Output Disabled	Driven Low	
0	0	1	1	PCM Output	Digital Output	<a href="#">Section 11.8</a>
0	1	0	x	Moving Average Mode	Open-Drain, Active High with Pull-down Current	<a href="#">Section 11.9.1</a>

Table 151. Arming pin configuration bits (ARM\_CFG[2:0]) and PCM range selection bit (PCM)...continued

ARM_CFG[2]	ARM_CFG[1]	ARM_CFG[0]	PCM	Operating mode	Output type	Reference
0	1	1	x	Moving Average Mode	Open-Drain, Active Low with Pull-up Current	<a href="#">Section 11.9.1</a>
1	0	0	x	Count Mode	Open-Drain, Active High with Pull-down Current	<a href="#">Section 11.9.2</a>
1	0	1	x	Count Mode	Open-Drain, Active Low with Pull-up Current	<a href="#">Section 11.9.2</a>
1	1	0	x	Unfiltered Mode	Open-Drain, Active High with Pull-down Current	<a href="#">Section 11.9.3</a>
1	1	1	x	Unfiltered Mode	Open-Drain, Active Low with Pull-up Current	<a href="#">Section 11.9.3</a>

**Note:** The arming function is reset on a change to the ARM\_CFG bits. This includes the downsampling state and all history registers.

When the PCM output is enabled, a Pulse Code Modulated signal proportional to the data selected by the DATATYPE0 selection bits is output on the ARM/PCM pin. See [Section 11.8](#) for more information regarding the PCM output.

### 11.2.27 Channel 0 and Channel 1 user configuration #5 register (CH0\_CFG\_U5, CH1\_CFG\_U5)

The Channel 0 and Channel 1 user configuration #5 registers are user programmable read/write registers which contain channel-specific configuration information. These registers are included in the read/write array error detection.

These registers are readable and writable in DSI3 mode, SPI mode, I<sup>2</sup>C mode or PS15 Programming Mode.

Table 152. Channel 0 and Channel 1 user configuration #5 register (CH0\_CFG\_U5, CH1\_CFG\_U5)

Location		Bit							
Address	Register	7	6	5	4	3	2	1	0
\$44	CH0_CFG_U5	ST_CTRL[3:0]				OC_LIMIT[2:0]			DSP_DIS
\$4C	CH1_CFG_U5	ST_CTRL[3:0]				OC_LIMIT[2:0]			DSP_DIS
Unprogrammed OTP Value		0	0	0	0	0	0	0	0

#### 11.2.27.1 Self-test control bits (ST\_CTRL[3:0])

The self-test control bits select one of the various analog and digital self-test features of the device as shown in [Table 153](#).

The self-test control bits are writable in DSI3 command and response mode.

The self-test control bits are writable in SPI Mode.

The self-test control bits are writable in I<sup>2</sup>C Mode.

The self-test control bits are writable in PS15 programming mode.

Table 153. Self-test control bits (ST\_CTRL[3:0])

ST_CTRL[3]	ST_CTRL[2]	ST_CTRL[1]	ST_CTRL[0]	Function	16-bit SNSDATAx Register value signed	Effect on ST_INCMPLT bit in Chx_STAT	Effect on ST_ACTIVE bit in Chx_STAT
0	0	0	0	DSP writes to the SNS_DATAx_X registers as configured in the ChxDATATYPEx registers.	Sensor Data	No Effect	Clear when Active
0	0	1	Clear on Activation			Set When Active	
0	0	1	0			Clear on Activation	Set When Active
0	0	1	1			Clear on Activation	Set When Active
0	1	0	0	DSP write to registers inhibited.	0x0000	Clear on Activation	Set When Active
0	1	0	1		0xAAAA	Clear on Activation	Set When Active
0	1	1	0		0x5555	Clear on Activation	Set When Active
0	1	1	1		0xFFFF	Clear on Activation	Set When Active
1	0	0	0	Positive Analog Self-test - Low	Sensor Data	Clear on Activation	Set When Active
1	0	0	1	Negative Analog Self-test - Low		Clear on Activation	Set When Active
1	0	1	0	Positive Analog Self-test - High		Clear on Activation	Set When Active
1	0	1	1	Negative Analog Self-test - High		Clear on Activation	Set When Active
1	1	0	0	Digital Self-test	Reference <a href="#">Section 10.8</a>	Clear on Activation	Set When Active
1	1	0	1			Clear on Activation	Set When Active
1	1	1	0			Clear on Activation	Set When Active
1	1	1	1			Clear on Activation	Set When Active

11.2.27.2 Offset cancellation test limit bits (OC\_LIMIT[2:0])

The offset cancellation test limit bits set the offset limits for the offset test at the end of the PSI5 self-test documented in [Section 11.6.2.5](#). The test limits are set as shown in [Table 154](#).



**Table 154. Offset cancellation test limit bits (OC\_LIMIT[2:0])**

OC_LIMIT[2:0]	Post PSI5 self-test offset limits
0x0	The post PSI5 self-test offset test is disabled.
0x1	± 2 LSB, 10-bit
0x2	± 4 LSB, 10-bit
0x3	± 6 LSB, 10-bit
0x4	± 8 LSB, 10-bit
0x5	± 10 LSB, 10-bit
0x6	± 12 LSB, 10-bit
0x7	± 14 LSB, 10-bit

**11.2.27.3 DSP disable bit (DSP\_DIS)**

The DSP disable bit provides the option for the user to disable the clocking to the DSP if sensor data from the associated channel is not used.

**Table 155. DSP disable bit (DSP\_DIS)**

DSP_DIS	DSP status
0	DSP operational as specified
1	DSP clocking disabled. Sensor data is readable but will not be updated by the DSP even when self-test is enabled

Care must be taken to ensure the DSP is not disabled for sources that are enabled.

**11.2.28 Channel 0 and Channel 1 arming configuration registers (CH0\_ARM\_CFG, CH1\_ARM\_CFG)**

The arming configuration registers contain configuration information for the arming function. The values in these registers are only relevant if the arming function is operating in moving average mode, or count mode.

**Note:** The arming function is reset on a change to the CHx\_ARM\_CFG bits. This includes the downsampling state and all history registers.

These registers can be written during initialization but are locked once the ENDINIT bit is set. Refer to [Section 11.2.6](#). The registers are included in the read/write array error detection.

**Table 156. Channel 0 and Channel 1 arming configuration registers (CH0\_ARM\_CFG, CH1\_ARM\_CFG)**

Location		Bit							
Address	Register	7	6	5	4	3	2	1	0
\$45	CH0_ARM_CFG	ARM_DS[1:0]		ARM_PS[1:0]		ARM_WS_N[1:0]		ARM_WS_P[1:0]	
\$4D	CH1_ARM_CFG	ARM_DS[1:0]		ARM_PS[1:0]		ARM_WS_N[1:0]		ARM_WS_P[1:0]	
Unprogrammed OTP Value		0	0	0	0	0	0	0	0

**11.2.28.1 Arming function down sampling selection bits (ARM\_DS[1:0])**

The arming function down sampling selection bits select the down sample rate for the arming function. See [Section 11.9.4](#).

**Table 157. Arming function down sampling selection bits (ARM\_DS[1:0])**

ARM_DS[1]	ARM_DS[0]	Down sampling
0	0	Provide every Sensor Data Request sample to the arming function for the relevant channel.
0	1	Provide every other Sensor Data Request sample to the arming function for the relevant channel.
1	0	Provide every fourth Sensor Data Request sample to the arming function for the relevant channel.
1	1	Provide every eighth Sensor Data Request sample to the arming function for the relevant channel.

**11.2.28.2 Arming pulse stretch (ARM\_PS[1:0])**

The ARM\_PS[1:0] bits set the programmable pulse stretch time for the arming outputs. See [Section 11.9](#) for more details regarding the arming function. Pulse stretch times are derived from the internal oscillator, so the tolerance on this oscillator applies.

**Table 158. Arming pulse stretch (ARM\_PS[1:0])**

ARM_PS[1]	ARM_PS[0]	Pulse stretch time (typical oscillator)
0	0	0 ms
0	1	128.000 ms - 130.048 ms
1	0	512.000 ms - 514.048 ms
1	1	2048.000 ms - 2050.048 ms

**11.2.28.3 Arming window size (ARM\_WS\_N[1:0], A\_WS\_P[1:0])**

The ARM\_WS\_N[1:0] and ARM\_WS\_P[1:0] bits have a different function depending on the state of the ARM\_CFG bits in the CHx\_CFG\_U4 registers. See [Section 11.9](#) for more details regarding the arming function. If the arming function is set to moving average mode, the ARM\_WS bits set the number of sensor samples used for the arming function moving average. The number of samples is set independently for each channel and polarity. If the arming function is set to count mode, the ARM\_WS bits set the sample count limit for the arming function. The sample count limit is set independently for each channel.

**Table 159. Positive arming window size definitions (moving average mode)**

ARM_WS_P[1]	ARM_WS_P[0]	Positive window size
0	0	2
0	1	4
1	0	8
1	1	16

**Table 160. Negative arming window size definitions (moving average mode)**

ARM_WS_N[1]	ARM_WS_N[0]	Negative window size
0	0	2
0	1	4
1	0	8
1	1	16

Table 161. Arming count limit definitions (count mode)

ARM_WS_N[1]	ARM_WS_N[0]	ARM_WS_P[1]	ARM_WS_P[0]	Sample count limit
Don't Care	Don't Care	0	0	1
Don't Care	Don't Care	0	1	3
Don't Care	Don't Care	1	0	7
Don't Care	Don't Care	1	1	15

11.2.29 Arming threshold registers (CHx\_ARM\_T\_P, CHx\_ARM\_T\_N)

The arming threshold registers contain the positive and negative thresholds to be used by the arming function for each channel. Refer to Section 11.9 for more details regarding the arming function.

These registers can be written during initialization but are locked once the ENDINIT bit is set. Refer to Section 11.2.6. The registers are included in the read/write array error detection.

Table 162. Arming threshold registers (CHx\_ARM\_T\_P, CHx\_ARM\_T\_N)

Location		Bit							
Address	Register	7	6	5	4	3	2	1	0
\$46	CH0_ARM_T_P	ARM_T_P[7:0]							
\$47	CH0_ARM_T_N	ARM_T_N[7:0]							
\$4E	CH1_ARM_T_P	ARM_T_P[7:0]							
\$4F	CH1_ARM_T_N	ARM_T_N[7:0]							
Unprogrammed OTP Value		0	0	0	0	0	0	0	0

The values programmed into the threshold registers are the threshold values used for the arming function as described in Section 11.9. The threshold registers hold independent unsigned 8-bit values for each channel and polarity. Each threshold increment is equivalent to 1 output LSB, 10-bit. Table 163 shows examples of some threshold register values and the corresponding threshold.

Table 163. Example threshold register values and corresponding threshold

Device Range (g)	Sensitivity (12 bit, LSB/g)	Arming thresh-old resolution (10 bit, LSB/g)	Range of arm threshold (g)	Programmed thresholds			
				Positive (Decimal)	Negative (Decimal)	Positive threshold (g)	Negative threshold (g)
125	16.3760	4.0940	62.2863	40	12	10	-3
62	33.0161	8.2540	30.8940	123	24	15	-3
50	40.9400	10.2350	24.9145	245	61	24	-6
25	81.8800	20.4700	12.4573	245	61	12	-3
16	127.9375	31.9844	7.9726	223	95	7	-3

If either the positive or negative threshold for one channel is programmed to 0x00, comparisons are disabled for only that polarity. The arming function still operates for the opposite polarity. If both the positive and negative arming thresholds for one channel are programmed to 0x00, the arming function for the associated channel is disabled and the output pin is set to high impedance, regardless of the value of the ARM\_CFG bits in the CHx\_CFG\_U4 register.

**11.2.30 Offset cancellation user configuration register (OC\_PHASE\_CFG)**

The offset cancellation user configuration register is a user programmable read/write register which contains offset cancellation configuration information. The register is included in the read/write array error detection.

This register is readable and writable in DSI3 mode, SPI mode, I<sup>2</sup>C mode or PSI5 Programming Mode.

**Table 164. Offset cancellation user configuration register (OC\_PHASE\_CFG)**

Location		Bit							
Address	Register	7	6	5	4	3	2	1	0
\$50	OC_PHASE_CFG	CH0_OCFINAL	CH1_OCFINAL	RESERVED	RESERVED	RESERVED	RESERVED	RESERVED	RESERVED
Unprogrammed OTP Value		0	0	0	0	0	0	0	0

**11.2.30.1 Channel 0 and Channel 1 offset cancellation final phase control bit (CH0\_OCFINAL, CH1\_OCFINAL)**

The channel 0 offset cancellation final phase control bit provides the option for the user to control the final offset cancellation phase for normal mode as shown in [Table 165](#).

**Table 165. Channel 0 offset cancellation final phase control bit (CH0\_OCFINAL, CH1\_OCFINAL)**

CH0_OCFINAL	Channel 0 offset cancellation final phase for normal mode
0	Phase 6 (a or b) as specified in the table in <a href="#">Section 11.6.4.6</a>
1	Phase 5 as specified in the table in <a href="#">Section 11.6.4.6</a> (Rate Limiting is always bypassed)

The channel 1 offset cancellation final phase control bit provides the option for the user to control the final offset cancellation phase for normal mode as shown in [Table 166](#).

**Table 166. Channel 1 offset cancellation final phase control bit (CH0\_OCFINAL, CH1\_OCFINAL)**

CH1_OCFINAL	Channel 1 offset cancellation final phase for normal mode
0	Phase 6 (a or b) as specified in the table in <a href="#">Section 11.6.4.6</a>
1	Phase 5 as specified in the table in <a href="#">Section 11.6.4.6</a> (Rate Limiting is always bypassed)

**11.2.31 User offset calibration registers (Chx\_U\_OFFSET\_L, Chx\_U\_OFFSET\_H)**

The user offset calibration registers contain a user programmable 16-bit signed offset correction value for the sensor data.

These registers can be written during initialization but are locked once the ENDINIT bit is set. Refer to [Section 11.2.6](#). The registers are included in the read/write array error detection.

**Table 167. User offset calibration registers (Chx\_U\_OFFSET\_L, Chx\_U\_OFFSET\_H)**

Location		Bit							
Address	Register	7	6	5	4	3	2	1	0
\$55	CH0_U_OFFSET_L	CH0_U_OFFSET[7:0]							
\$56	CH0_U_OFFSET_H	CH0_U_OFFSET[15:8]							
\$5D	CH1_U_OFFSET_L	CH1_U_OFFSET[7:0]							
\$5E	CH1_U_OFFSET_H	CH1_U_OFFSET[15:8]							
Unprogrammed OTP Value		0	0	0	0	0	0	0	0

The value programmed into the user offset calibration register is directly added to the sensor data after the user sensitivity scaling but before the offset cancellation. See [Section 11.6.4.9](#) for scaling of the CHx\_U\_OFFSET value. The CHx\_U\_OFFSET register has the same resolution as the sensor value in the SNSDATAx registers. A 1 LSB change in the CHx\_U\_OFFSET register will result in a 1 LSB change to the value in the SNSDATAx registers.

**Note:** The user offset calibration register range is larger than the full scale range of the output. The user must take care to ensure that the value stored in this register does not result in a compressed output range or a railed output.

**11.2.32 Channel-specific status register (CH0\_STAT, CH1\_STAT)**

The channel-specific status registers are read-only registers which contain sensor data-specific status information.

These registers are readable in DSI3 mode, SPI mode, I<sup>2</sup>C mode or PSI5 programming mode.

**Table 168. Channel-specific status register (CH0\_STAT, CH1\_STAT)**

Location		Bit							
Address	Register	7	6	5	4	3	2	1	0
\$60	CH0_STAT	SIGNALCLIP	OCPHASE[2:0]		ST_INCMPLT	ST_ACTIVE	OFFSET_ERR	ST_ERROR	
\$70	CH1_STAT	SIGNALCLIP	OCPHASE[2:0]		ST_INCMPLT	ST_ACTIVE	OFFSET_ERR	ST_ERROR	
Reset Value		0	0	0	0	1	0	0	0

**11.2.32.1 Signal clipped status bit (SIGNALCLIP)**

In DSI3 mode, SPI mode, and I<sup>2</sup>C mode, the signal clipped status bit is set if the output of the sinc filter reaches either the maximum or minimum value. The SIGNALCLIP bit is cleared on a read of the CHx\_STAT register through any communication interface or on a data transmission that includes the error in the status field.

In PSI5 mode, the SIGNALCLIP bit has no impact on device operation or performance.

**11.2.32.2 Offset cancellation phase status (OCPHASE[2:0])**

The offset cancellation phase status bits indicate the current phase of the offset cancellation filter as described in [Section 11.6.4.6](#).

**Table 169. Offset cancellation phase status (OCPHASE[2:0])**

OCPHASE[2:0]	Offset cancellation startup phase	Offset low-pass filter frequency (Hz)
000	Phase 0	163.8
001	Phase 1	40.96
010	Phase 2	10.24

**Table 169. Offset cancellation phase status (OCPHASE[2:0])...continued**

OCPHASE[2:0]	Offset cancellation startup phase	Offset low-pass filter frequency (Hz)
011	Phase 3	2.560
100	Phase 4	0.640
101	Phase 5	0.160
110	Phase 6 / Normal Mode	0.04
111	Not Applicable	

**11.2.32.3 Self-test incomplete (ST\_INCMPLT)**

The self-test incomplete bit is set after a device reset and is cleared when one of the analog or digital self-tests modes are enabled in the ST\_CTRL register (ST\_CTRL[3] = logic 1 | ST\_CTRL[2] = logic 1 | ST\_CTRL[1] = logic 1 | ST\_CTRL[0] = logic 1) or the PSI5 internal self-test procedure has started.

**Table 170. Self-test incomplete (ST\_INCMPLT)**

ST_INCMPLT	Condition
0	An Analog or Digital Self-test has been activated since the last reset
1	No Analog or Digital Self-test has not been activated since the last reset AND the PSI5 internal self-test procedure has not completed

**11.2.32.4 Self-test active flag (ST\_ACTIVE)**

The self-test active bit is set if any self-test mode is currently active, including the PSI5 internal self-test or a self-test voltage is applied to the transducer. The self-test active bit is cleared when no self-test mode is active and no self-test voltage is applied to the transducer.

$$ST\_ACTIVE = ST\_CTRL[3] | ST\_CTRL[2] | ST\_CTRL[1] | ST\_CTRL[0] \text{ (self-test voltage applied to transducer)}$$

**11.2.32.5 Offset error flag (OFFSET\_ERR)**

The offset error flag is set if the sensor signal reaches the offset limit specified in [Section 10.6](#). The OFFSET\_ERR bit is cleared on a read of the CHx\_STAT register through any communication interface or on a data transmission that includes the error in the status field. See [Section 11.2.15.2](#) for details on a method to disable the automatic clearing of this error in PSI5 mode.

**Table 171. Offset error flag (OFFSET\_ERR)**

OFFSET_ERR	Error condition
0	No error detected
1	Offset error detected

**11.2.32.6 Self-test error flag (ST\_ERROR)**

The self-test error flag is set if the PSI5 startup self-test fails as described in [Section 6.6.2.5](#). This bit can only be cleared by a device reset.

**11.2.33 Device status copy register (DEVSTAT\_COPY)**

The device status copy register is a read-only register which contains a copy of the device status information contained in the DEVSTAT register. See [Section 11.2.2](#) for details regarding the DEVSTAT register contents.

This register is readable in DSI3 mode, SPI mode, I<sup>2</sup>C mode or PSI5 programming mode. A read of the DEVSTAT\_COPY register has the same effect as a read of the DEVSTAT register.

**Table 172. Device status copy register (DEVSTAT\_COPY)**

Location		Bit							
Address	Register	7	6	5	4	3	2	1	0
\$61	DEVSTAT_COPY	CH0_ERR	CH1_ERR	COMM_ERR	MEMTEMP_ERR	SUPPLY_ERR	TESTMODE	DEVRES	DEVINIT

**11.2.34 Sensor data #0 registers (CHx\_SNSDATA0\_L, CHx\_SNSDATA0\_H)**

The sensor data #0 registers are read-only registers which contain the 16-bit sensor data. The data type for the sensor data #0 registers is selected by the DATATYPE0 bits in the CHx\_CFG\_U3 register. See [Section 11.2.25.2](#). See [Section 11.6.4.9](#) for details regarding the 16-bit sensor data.

These registers are readable in DSI3 mode, SPI mode, I<sup>2</sup>C mode or PSI5 Programming Mode. In I<sup>2</sup>C mode, the SNSDA-TA0\_H register value is latched on a read of the SNSDATA0\_L register value until the SNSDATA0\_H register is read. To avoid data mismatch, it is required that the user always read the registers in sequence, SNSDATA0\_L register first, followed by the SNSDATA0\_H register.

**Table 173. Sensor data #0 registers (CHx\_SNSDATA0\_L, CHx\_SNSDATA0\_H)**

Location		Bit							
Address	Register	7	6	5	4	3	2	1	0
\$62	CH0_SNSDATA0_L	CH0_SNSDATA0[7:0]							
\$63	CH0_SNSDATA0_H	CH0_SNSDATA0[15:8]							
\$72	CH1_SNSDATA0_L	CH1_SNSDATA0[7:0]							
\$73	CH1_SNSDATA0_H	CH1_SNSDATA0[15:8]							
Reset Value		0	0	0	0	0	0	0	0

**11.2.35 Sensor data #1 registers (CHx\_SNSDATA1\_L, CHx\_SNSDATA1\_H)**

The sensor data #1 registers are read-only registers which contain the 16-bit sensor data. The data type for the sensor data #1 registers is selected by the DATATYPE1 bits in the CHx\_CFG\_U3 register. See [Section 11.2.25.3](#). See [Section 11.6.4.9](#) for details regarding the 16-bit sensor data.

These registers are readable in DSI3 mode, SPI mode, I<sup>2</sup>C mode or PSI5 programming mode. In I<sup>2</sup>C mode, the SNSDA-TA1\_H register value is latched on a read of the SNSDATA1\_L register value until the SNSDATA1\_H register is read. To avoid data mismatch, it is required that the user always read the registers in sequence, SNSDATA1\_L register first, followed by the SNSDATA1\_H register.

Table 174. Sensor data #1 registers (CHx\_SNSDATA1\_L, CHx\_SNSDATA1\_H)

Location		Bit							
Address	Register	7	6	5	4	3	2	1	0
\$64	CH0_SNSDATA1_L	CH0_SNSDATA1[7:0]							
\$65	CH0_SNSDATA1_H	CH0_SNSDATA1[15:8]							
\$74	CH1_SNSDATA1_L	CH1_SNSDATA1[7:0]							
\$75	CH1_SNSDATA1_H	CH1_SNSDATA1[15:8]							
Reset Value		0	0	0	0	0	0	0	0

### 11.2.36 Channel-specific factory configuration register (CHx\_CFG\_F)

The channel-specific configuration registers are factory programmable OTP registers which contain channel specific configuration information. These registers are included in the factory programmed OTP array error detection.

These registers are readable in DSI3 mode, SPI mode, I<sup>2</sup>C mode or PSI5 Programming Mode when ENDINIT is not set. See [Section 11.2.10](#) for details on the register read process for this register.

Table 175. Channel-specific factory configuration register (CHx\_CFG\_F)

Location		Bit								
Address	Register	7	6	5	4	3	2	1	0	
\$A0	CH0_CFG_F	DEV_RANGE[3:0]				RESE RVED	RESE RVED	AXIS[1:0]		
\$B0	CH1_CFG_F	DEV_RANGE[3:0]				RESE RVED	RESE RVED	AXIS[1:0]		

#### 11.2.36.1 Range indication bits (RANGE[3:0])

The range indication bits indicate the full scale range of the channel as shown in [Table 176](#).

Table 176. Range indication bits (RANGE[3:0])

RANGE[3]	RANGE[2]	RANGE[1]	RANGE[0]	Acceleration range
0	0	0	0	RESERVED
0	0	0	1	RESERVED
0	0	1	0	Medium
0	0	1	1	RESERVED
0	1	0	0	High
0	1	0	1	RESERVED
0	1	1	0	RESERVED
0	1	1	1	RESERVED
1	0	0	0	RESERVED
1	0	0	1	RESERVED
1	0	1	0	RESERVED
1	0	1	1	RESERVED
1	1	0	0	RESERVED



**Table 176. Range indication bits (RANGE[3:0])...continued**

RANGE[3]	RANGE[2]	RANGE[1]	RANGE[0]	Acceleration range
1	1	0	1	RESERVED
1	1	1	0	RESERVED
1	1	1	1	RESERVED

**11.2.36.2 Axis indication bits (AXIS[1:0])**

The axis indication bits indicate the axes of sensitivity for the channel as shown in [Table 177](#).

**Table 177. Axis indication bits (AXIS[1:0])**

AXIS[1]	AXIS[0]	Axis of sensitivity
0	0	X
0	1	Y
1	0	Z
1	1	RESERVED

**11.2.37 Self-test deflection storage registers**

The self-test deflection registers are factory programmable OTP registers which contain the nominal self-test values for the various self-tests at 25 °C. These registers are included in the factory programmed OTP array error detection.

These registers are readable in DSI3 mode, SPI mode, I<sup>2</sup>C mode or PSI5 Programming Mode when ENDINIT is not set. See [Section 11.2.10](#) for details on the register read process for these registers.

**Table 178. Self-test deflection storage registers**

Location		Bit							
Address	Register	7	6	5	4	3	2	1	0
\$A2	CH0_STL_P_L	CH0_STL_P[7:0]							
\$A3	CH0_STL_P_H	CH0_STL_P[15:8]							
\$A4	CH0_STH_P_L	CH0_STH_P[7:0]							
\$A5	CH0_STH_P_H	CH0_STH_P[15:8]							
\$A6	CH0_STL_N_L	CH0_STL_N[7:0]							
\$A7	CH0_STL_N_H	CH0_STL_N[15:8]							
\$A8	CH0_STH_N_L	CH0_STH_N[7:0]							
\$A9	CH0_STH_N_H	CH0_STH_N[15:8]							
\$B2	CH1_STL_P_L	CH1_STL_P[7:0]							
\$B3	CH1_STL_P_H	CH1_STL_P[15:8]							
\$B4	CH1_STH_P_L	CH1_STH_P[7:0]							
\$B5	CH1_STH_P_H	CH1_STH_P[15:8]							
\$B6	CH1_STL_N_L	CH1_STL_N[7:0]							
\$B7	CH1_STL_N_H	CH1_STL_N[15:8]							
\$B8	CH1_STH_N_L	CH1_STH_N[7:0]							
\$B9	CH1_STH_N_H	CH1_STH_N[15:8]							

The self-test values are positive and negative deflection values, measured at the factory, and factory programmed for each device. The stored value is equal to one half of the absolute value of the difference between the factory measured Chx\_ SNSData0

register value with the analog self-test active and the factory measured CHx\_SNSDATA0 register value for off-set at nominal temperature (Data is aligned to the 12-bit sensor data). Both the self-test and offset values are measured with the user scaling set to 1: U\_SNS\_SHIFT[1:0] = 0x2 and U\_SNS\_MULT[7:0] = 0x00.

$$CH0\_STL\_P = 0.5 * [CH0\_SNSDATA0_{ST\_CTRL=0x8} - CH0\_SNSDATA0_{ST\_CTRL=0x0}]$$

$$CH0\_STL\_N = 0.5 * [CH0\_SNSDATA0_{ST\_CTRL=0x0} - CH0\_SNSDATA0_{ST\_CTRL=0x9}]$$

$$CH0\_STH\_P = 0.5 * [CH0\_SNSDATA0_{ST\_CTRL=0xA} - CH0\_SNSDATA0_{ST\_CTRL=0x0}]$$

$$CH0\_STH\_N = 0.5 * [CH0\_SNSDATA0_{ST\_CTRL=0x0} - CH0\_SNSDATA0_{ST\_CTRL=0xB}]$$

$$CH1\_STL\_P = 0.5 * [CH1\_SNSDATA0_{ST\_CTRL=0x8} - CH1\_SNSDATA0_{ST\_CTRL=0x0}]$$

$$CH1\_STL\_N = 0.5 * [CH1\_SNSDATA0_{ST\_CTRL=0x0} - CH1\_SNSDATA0_{ST\_CTRL=0x9}]$$

$$CH1\_STH\_P = 0.5 * [CH1\_SNSDATA0_{ST\_CTRL=0xA} - CH1\_SNSDATA0_{ST\_CTRL=0x0}]$$

$$CH1\_STH\_N = 0.5 * [CH1\_SNSDATA0_{ST\_CTRL=0x0} - CH1\_SNSDATA0_{ST\_CTRL=0xB}]$$

Two self-test values are stored and available for comparison: a high self-test value and a low self-test value. The self-test value is controlled by the user via the ST\_CTRL[3:0] bits in the CHx\_CFG\_U5 registers as described in [Section 11.2.27.1](#).

When self-test is activated, the sensor data can be compared to the values in the appropriate registers. The difference from the measured deflection value, and the nominal deflection value stored in the register shall not fall outside the self-test accuracy limits specified in [Section 10.7](#) ( $\Delta ST_{ACC}$ ). See [Section 11.6.2](#) for more details on calculating the self-test limits.

### 11.2.38 IC type register

The IC type register is a factory programmable OTP register which contains the IC type as defined in [Table 179](#). This register is included in the factory programmed OTP array error detection.

**Table 179. IC type register**

Location		Bit							
Address	Register	7	6	5	4	3	2	1	0
\$C0	ICTYPEID	0	0	0	0	0	0	1	1

### 11.2.39 IC revision register

The IC revision register is a factory programmable OTP register which contains the IC revision. The upper nibble contains the main IC revision. The lower nibble contains the sub IC revision. This register is included in the factory programmed OTP array error detection.

This register is readable in DSI3 mode, SPI mode, I<sup>2</sup>C mode or PSi5 programming mode when ENDINIT is not set. See [Section 11.2.10](#) for details on the register read process for this register.

**Table 180. IC revision register**

Location		Bit							
Address	Register	7	6	5	4	3	2	1	0
\$C1	ICREVID	ICREVID[7:0]							

### 11.2.40 IC manufacturer identification register

The IC manufacturer identification register is a factory programmable OTP register which identifies NXP as the IC manufacturer. This register is included in the factory programmed OTP array error detection.

This register is readable in DSI3 mode, SPI mode, I<sup>2</sup>C mode or PSI5 Programming Mode when ENDINIT is not set. See [Section 11.2.10](#) for details on the register read process for this register.

**Table 181. IC manufacturer identification register**

Location		Bit							
Address	Register	7	6	5	4	3	2	1	0
\$C2	ICMFGID	0	0	0	0	0	0	1	0

### 11.2.41 Part number register

The part number registers are factory programmed OTP registers which include the numeric portion of the device part number. These registers are included in the factory programmed OTP array error detection.

These registers are readable in DSI3 mode, SPI mode, I<sup>2</sup>C mode or PSI5 Programming Mode when ENDINIT is not set. See [Section 11.2.10](#) for details on the register read process for these registers.

**Table 182. Part number register**

Location		Bit							
Address	Register	7	6	5	4	3	2	1	0
\$C4	PN0	PN0[7:0]							
\$C5	PN1	PN1[7:0]							

**Table 183. Part number: Protocol type**

PN1[7:4]	Pinout	Protocol type
0	Standard	User Selectable
1		SPI32
2		DSI3
3		PSI5
4		I <sup>2</sup> C
5 - 7		RESERVED
8	Alternative	User Selectable
9		SPI32
10		DSI3
11		PSI5
12		I <sup>2</sup> C
13 - 15		RESERVED

Table 184. Part number: Axis

PN1[3:0]	Channel 0 axis	Channel 1 axis
0		RESERVED
1		RESERVED
2		RESERVED
3	X	Y
4	X	Z
5		RESERVED
6		RESERVED
7	Y	Z
8 - 15		RESERVED

Table 185. Part number: Channel 0 range

PN0[7:4]	Channel 0 range
0	RESERVED
1	RESERVED
2	Medium g
3	High g
4 - 15	RESERVED

Table 186. Part number: Channel 1 range

PN0[3:0]	Channel 1 range
0	RESERVED
1	RESERVED
2	Medium g
3	High g
4 - 15	RESERVED

### 11.2.42 Device serial number registers

The serial number registers are factory programmed OTP registers which include the unique serial number of the device. Serial numbers begin at 1 for all produced devices in each lot and are sequentially assigned. Lot numbers begin at 1 and are sequentially assigned. No lot will contain more devices than can be uniquely identified by the 14-bit serial number. Depending on lot size and quantities, all possible lot numbers and serial numbers may not be assigned. These registers are included in the factory programmed OTP array error detection.

These registers are readable in DSI3 mode, SPI mode, I<sup>2</sup>C mode or PSI5 programming mode when ENDINIT is not set. See [Section 11.2.10](#) for details on the register read process for these registers.

**Table 187. Device serial number registers**

Location		Bit							
Address	Register	7	6	5	4	3	2	1	0
\$C6	SN0	SN[7:0]							
\$C7	SN1	SN[15:8]							
\$C8	SN2	SN[23:16]							
\$C9	SN3	SN[31:24]							
\$CA	SN4	SN[39:36] = DEVICE_REV[3:0]				SN[35:32]			

[Table 188](#) shows an example serial number decoding:

**Table 188. Example serial number decoding**

Serial number	Full serial number																					
Stored Data Format	SN4				SN3				SN2				SN1				SN0					
Serial Number Mapping	Test ID		Lot Number												Serial Number within a lot							
Example SN (Hex)	1	0	0	0	0	5	2	0	0	5	0	0	0	0	0	0						
Example SN (Binary)	00	01	00	00	00	00	00	00	01	01	00	10	00	00	00	00						
Example Device Rev	4'b0000 = 0x0 = 0d																					
Example Lot Number	4'b00 00 00 00 00 01 01 00 10 00 = 0x000148 = 328d																					
Example Serial Number	14'b00 00 00 01 01 00 00 = 0x0050 = 80d																					

### 11.2.43 ASIC wafer ID registers

The ASIC wafer ID registers are factory programmed OTP registers which include the wafer number, wafer X, and Y coordinates and the wafer lot number for the device ASIC. These registers are included in the factory programmed OTP array error detection.

These registers are readable in DSI3 mode, SPI mode, I<sup>2</sup>C mode or PSI5 programming mode when ENDINIT is not set. See [Section 11.2.10](#) for details on the register read process for these registers.

**Table 189. ASIC wafer ID registers**

Location		Bit							
Address	Register	7	6	5	4	3	2	1	0
\$CB	ASICWFR#	ASICWFR#[7:0]							
\$CC	ASICWFR_X	ASICWFR_X[7:0]							
\$CD	ASICWFR_Y	ASICWFR_Y[7:0]							
\$D0	ASICWLOT_L	ASICWLOT_L[7:0]							
\$D1	ASICWLOT_H	ASICWLOT_H[7:0]							

### 11.2.44 Transducer wafer ID registers

The transducer wafer ID registers are factory programmed OTP registers which include the wafer number, wafer X, and Y coordinates and the wafer lot number for the device transducers. The upper 3 bits of the TRNSWFR# register include a transducer and assembly revision counter. These registers are included in the factory programmed OTP array error detection.

These registers are readable in DSI3 mode, SPI mode, I<sup>2</sup>C mode or PSI5 programming mode when ENDINIT is not set. See [Section 11.2.10](#) for details on the register read process for these registers.

**Table 190. Transducer wafer ID registers**

Location		Bit							
Address	Register	7	6	5	4	3	2	1	0
\$D2	TRNS1WFR_X	TRNS1WFR_X[7:0]							
\$D3	TRNS1WFR_Y	TRNS1WFR_Y[7:0]							
\$D4	TRNS1LOT_L	TRNS1LOT_L[7:0]							
\$D5	TRNS1LOT_H	TRNS1LOT_H[7:0]							
\$DA	TRNS1WFR#	TRNS_ASSY_REV[2:0]				TRNS1WFR#[4:0]			

### 11.2.45 User data registers (USERDATA\_0 - USERDATA\_E)

User data registers are user programmable OTP registers which contain user-specific information. These registers are included in the user programmed OTP array error detection.

These registers are readable and writable in DSI3 mode, SPI mode, I<sup>2</sup>C mode or PSI5 Programming Mode when ENDINIT is not set. See [Section 11.2.10](#) for details on the register read process for these registers.

**Table 191. User data registers (USERDATA\_0 - USERDATA\_E)**

Location		Bit							
Address	Register	7	6	5	4	3	2	1	0
\$E0	USERDATA_0	USERDATA_0[7:0]							
\$E1	USERDATA_1	USERDATA_1[7:0]							
\$E2	USERDATA_2	USERDATA_2[7:0]							
\$E3	USERDATA_3	USERDATA_3[7:0]							
\$E4	USERDATA_4	USERDATA_4[7:0]							
\$E5	USERDATA_5	USERDATA_5[7:0]							
\$E6	USERDATA_6	USERDATA_6[7:0]							
\$E7	USERDATA_7	USERDATA_7[7:0]							
\$E8	USERDATA_8	USERDATA_8[7:0]							
\$E9	USERDATA_9	USERDATA_9[7:0]							
\$EA	USERDATA_A	USERDATA_A[7:0]							
\$EB	USERDATA_B	USERDATA_B[7:0]							
\$EC	USERDATA_C	USERDATA_C[7:0]							
\$ED	USERDATA_D	USERDATA_D[7:0]							
\$EE	USERDATA_E	USERDATA_E[7:0]							
Unprogrammed OTP Value		0	0	0	0	0	0	0	0

#### 11.2.45.1 PSI5 initialization phase 2 data transmissions of user data

In PSI5 Mode, the values of the user data registers are transmitted in Initialization phase 2 as shown in [Table 192](#). See [Section 13.4.2.1](#) for details on the PSI5 Initialization Phase 2 Transmissions.

**Table 192. PSI5 initialization phase 2 data transmissions of user data**

Location		Bit							
Address	Register	7	6	5	4	3	2	1	0
\$E0	USERDATA_0	Channel 1 F1: D1				Channel 0 F1: D1			
\$E1	USERDATA_1	Channel 0 F3: D5				Channel 0 F3: D4			
\$E2	USERDATA_2	Channel 0 F4: D7				Channel 0 F4: D6			
\$E3	USERDATA_3	Channel 0 F5: D9				Channel 0 F5: D8			
\$E4	USERDATA_4	Channel 0 F6: D11				Channel 0 F6: D10			
\$E5	USERDATA_5	Channel 0 F7: D13				Channel 0 F7: D12			

**Table 192. PSi5 initialization phase 2 data transmissions of user data...continued**

Location		Bit							
Address	Register	7	6	5	4	3	2	1	0
\$E6	USERDATA_6	PSi5_INIT2_D19 = 0, Channel 0 F9: D32 PSi5_INIT2_D19 = 1, Ch 0 F9: D32 = Ch 0 F9: D19 = Ch 1 F9: D19				Channel 0 F7: D14			
\$E7	USERDATA_7	Channel 0 F8: D16 Channel 0 F8: D16 = Channel 1 F8: D16				Channel 0 F8: D15 = Channel 1 F8: D15			
\$E8	USERDATA_8	Channel 0 F8: D18 Channel 0 F8: D18 = Channel 1 F8: D18				Channel 0 F8: D17 = Channel 1 F8: D17			
\$E9	USERDATA_9	Channel 1 F3: D5				Channel 1 F3: D4			
\$EA	USERDATA_A	Channel 1 F4: D7				Channel 1 F4: D6			
\$EB	USERDATA_B	Channel 1 F5: D9				Channel 1 F5: D8			
\$EC	USERDATA_C	Channel 1 F6: D11				Channel 1 F6: D10			
\$ED	USERDATA_D	Channel 1 F7: D13				Channel 1 F7: D12			
\$EE	USERDATA_E	PSi5_INIT2_D19 = 0, Channel 1 F9: D32 PSi5_INIT2_D19 = 1, Ch 1 F9: D32 = Ch 0 F9: D20 = Ch 1 F9: D20				Channel 1 F7: D14			
Unprogrammed OTP Value		0	0	0	0	0	0	0	0

### 11.2.46 User data registers (USERDATA\_10 - USERDATA\_1E)

User data registers are user programmable OTP registers which contain user-specific information. These registers are included in the user programmed OTP array error detection.

These registers are readable and writable in DSi3 mode, SPI mode, I<sup>2</sup>C mode or PSi5 programming mode when ENDINIT is not set. See [Section 11.2.10](#) for details on the register read process for these registers.

**Table 193. User data registers (USERDATA\_10 - USERDATA\_1E)**

Location		Bit							
Address	Register	7	6	5	4	3	2	1	0
\$F0	USERDATA_10	USERDATA_10[7:0]							
\$F1	USERDATA_11	USERDATA_11[7:0]							
\$F2	USERDATA_12	USERDATA_12[7:0]							
\$F3	USERDATA_13	USERDATA_13[7:0]							
\$F4	USERDATA_14	USERDATA_14[7:0]							
\$F5	USERDATA_15	USERDATA_15[7:0]							
\$F6	USERDATA_16	USERDATA_16[7:0]							
\$F7	USERDATA_17	USERDATA_17[7:0]							
\$F8	USERDATA_18	USERDATA_18[7:0]							
\$F9	USERDATA_19	USERDATA_19[7:0]							
\$FA	USERDATA_1A	USERDATA_1A[7:0]							
\$FB	USERDATA_1B	USERDATA_1B[7:0]							
\$FC	USERDATA_1C	USERDATA_1C[7:0]							
\$FD	USERDATA_1D	USERDATA_1D[7:0]							
\$FE	USERDATA_1E	USERDATA_1E[7:0]							
Unprogrammed OTP Value		0	0	0	0	0	0	0	0

### 11.2.47 Lock and CRC registers

The lock and CRC registers are automatically programmed OTP registers which include the lock bit, the block identifier, and the block OTP array CRC use for error detection.

These registers are automatically programmed when the corresponding data array is programmed to OTP using the Write OTP Enable register as documented in [Section 11.2.7](#).

**Table 194. Lock and CRC registers**

Location		Bit							
Address	Register	7	6	5	4	3	2	1	0
\$5F	CRC_UF2	LOCK_UF2	0	0	0	CRC_UF2[3:0]			
Unprogrammed OTP Value		0	0	0	0	0	0	0	0
\$AF	CRC_F_A	LOCK_F_A	REGA_BLOCKID[2:0]			CRC_F_A[3:0]			
Reset Value		1	0	0	1	Varies			
\$BF	CRC_F_B	LOCK_F_B	REGB_BLOCKID[2:0]			CRC_F_B[3:0]			
Reset Value		1	0	1	0	Varies			
\$CF	CRC_F_C	LOCK_F_C	REGC_BLOCKID[2:0]			CRC_F_C[3:0]			
Reset Value		1	0	1	1	Varies			
\$DF	CRC_F_D	LOCK_F_D	REGD_BLOCKID[2:0]			CRC_F_D[3:0]			
Reset Value		1	1	0	0	Varies			
\$EF	CRC_F_E	LOCK_F_E	REGE_BLOCKID[2:0]			CRC_F_E[3:0]			
Unprogrammed OTP Value		0	0	0	0	0	0	0	0
\$FF	CRC_F_F	LOCK_F_F	REGF_BLOCKID[2:0]			CRC_F_F[3:0]			
Unprogrammed OTP Value		0	0	0	0	0	0	0	0

Table 195 shows the state of the lock bits, the block identifiers, and the CRC for each register block before and after programming.

**Table 195. Lock bit, block identifier, and CRC states**

Register block address	Lock bit bit[7]		Block identifier bits[6:4]		CRC bits[3:0]	
	Before programming	After programming	Before programming	After programming	Before programming	After programming
UF2	0	1	000	000	0000	Varies
\$Ax	0	1	N/A	001	N/A	Varies
\$Bx	0	1	N/A	010	N/A	Varies
\$Cx	0	1	N/A	011	N/A	Varies
\$Dx	0	1	N/A	100	N/A	Varies
\$Ex	0	1	000	101	0000	Varies
\$Fx	0	1	000	110	0000	Varies

**11.2.48 Reserved registers**

A register read command to a reserved register or a register with reserved bits will result in a valid response. The data for reserved bits may be logic 0 or logic 1.

A register write command to a reserved register or a register with reserved bits will execute and result in a valid response. The data for the reserved bits may be logic 0 or logic 1. A write to the reserved bits must always be '0' for normal device operation and performance.

**11.2.49 Invalid register addresses**

A register read command to a register address outside the addresses listed in Section 11.1 will result in a valid response. The data for the registers will be '0x00'.

A register write command to a register address outside the addresses listed in Section 11.1 will not execute, but will result in a valid response. The data for the registers will be '0x00'.

A register write command to a read-only register will not execute, but will result in a valid response. The data for the registers will be the current contents of the register.



**11.3 OTP and read/write register array CRC verification**

**11.3.1 NXP OTP registers**

The following registers are internal OTP registers. These registers are verified by the OTP ECC as well as an independent 4-bit CRC for each 16 byte block.

**Table 196. Memory type code: NXP OTP register**

Memory type codes	
F	User readable register with OTP

**11.3.2 User OTP only registers**

The following registers are user OTP registers. These registers are verified by the OTP ECC as well as an independent 4-bit CRC for each 16 byte block. The CRC verification uses a generator polynomial of  $g(x) = X^4 + X^3 + 1$ , with a seed value = '0000'. The bits are fed into the CRC calculation from right to left (MSB first) and from top to bottom (lowest address first) in the register map.

**Table 197. Memory type code: User OTP register**

Memory type codes	
UF0	One time user programmable OTP region 0
UF1	One time user programmable OTP region 1

**11.3.3 OTP modifiable registers**

The following registers are user read/write registers as well as OTP registers with writable mirror registers. The OTP registers are verified by the OTP ECC as well as an independent 4-bit CRC stored in the CRC\_UF2 register.

The values read from OTP can be over-written while ENDINIT is not set. Once ENDINIT is set, the writable registers (all registers in the R/W and UF2 regions with the exception of the DEVLOCK\_WR register) are verified by an additional continuous 4-bit CRC that is calculated on the entire array. The CRC verification uses a generator polynomial of  $g(x) = X^4 + X^3 + 1$ , with a seed value = '0000'. The bits are fed into the CRC calculation from right to left (MSB first) and from top to bottom (lowest address first) in the register map.

Registers verified by the OTP CRC:

**Table 198. Memory type code: CRC verified OTP registers**

Memory type codes	
UF2	One time user programmable OTP region 3 with modifiable mirror registers

Registers verified by the ENDINIT calculated CRC:

**Table 199. Memory type code: ENDINIT CRC verified OTP registers**

Memory type codes	
UF2	One time user programmable OTP region 3 with modifiable mirror registers
R/W	User writable register, with the exception of the DEVLOCK_WR register

### 11.4 Voltage regulators

The device derives its internal supply voltage from the  $V_{CC}/BUS\_I$  and  $V_{SS}$  pins. The internal regulators are supplied by a buffer regulator ( $V_{BUF}$ ) to provide immunity from EMC and supply dropouts on  $BUS\_I$ . An external filter capacitor is required for  $V_{BUF}$ , as shown in [Section 6](#).

The voltage regulator module includes voltage monitoring circuitry which holds the device in reset following power-on until the internal voltages have increased above the under-voltage detection thresholds. The voltage monitor asserts internal reset when the external supply or internally regulated voltages fall below the under-voltage detection thresholds. A reference generator provides a reference voltage for the  $\Sigma\Delta$  converter.

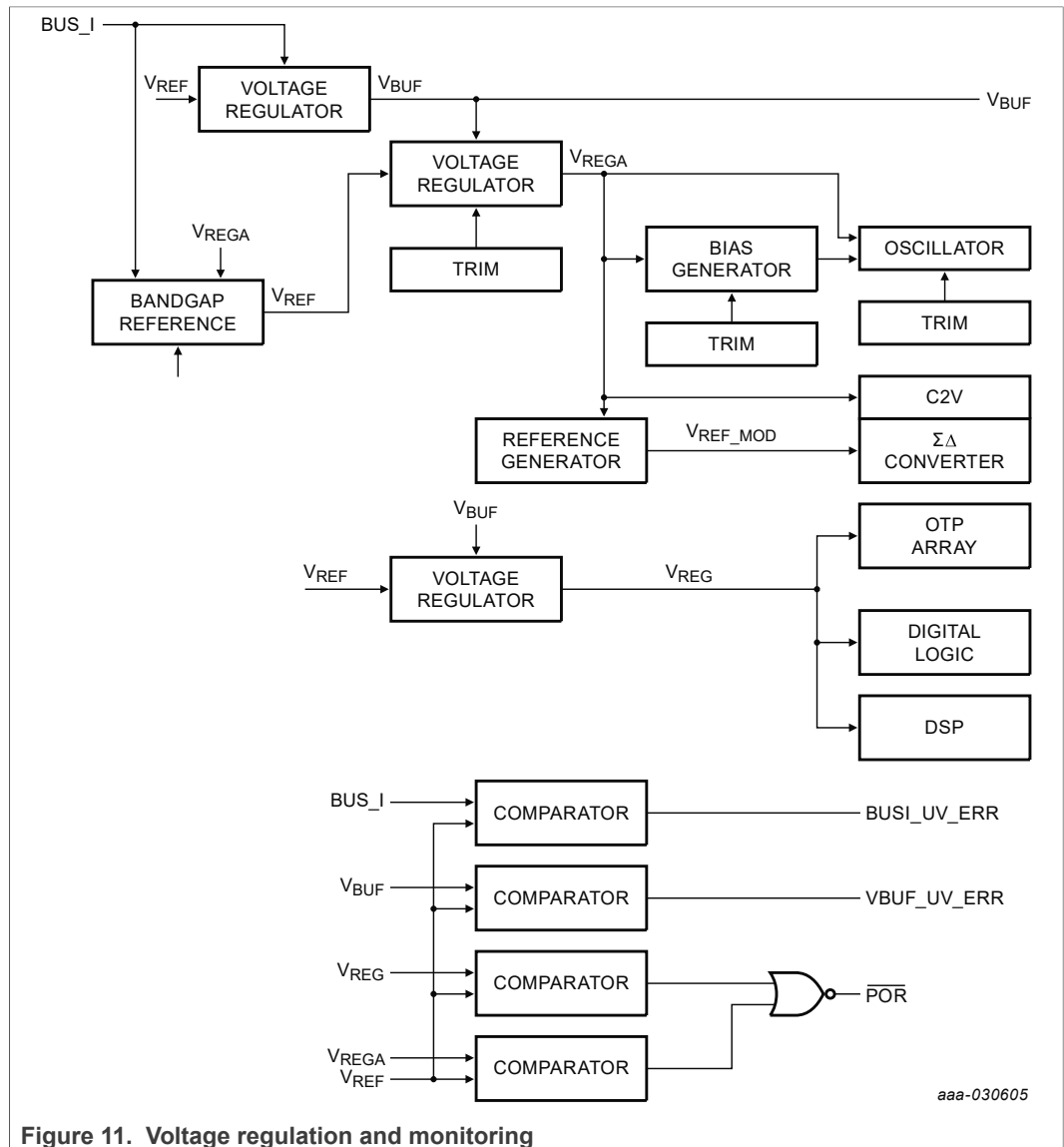


Figure 11. Voltage regulation and monitoring

#### 11.4.1 $V_{BUF}$ regulator capacitor and capacitor monitor

In DSI3 and PSI5 modes, the buffer regulator requires an external capacitor between the  $V_{BUF}$  pin and the  $V_{SS}$  pin. [Section 6](#) shows the recommended types and values for each

of these capacitors. A monitor circuit is incorporated to ensure predict-able operation if the connection to the external  $V_{BUF}$  capacitor becomes open. If the external capacitor is not present, the regulator voltage will fall below the threshold specified in [Section 10.4](#) causing the  $V_{BUF\_ERR}$  bit to be set in the  $DEVSTAT1$  register.

The  $V_{BUF}$  capacitor is tested synchronous to the protocol transmissions as shown in the diagrams in [Figure 12](#), [Figure 13](#), and [Figure 14](#).

11.4.1.1  $V_{BUF}$  capacitance monitor timing, DSI3

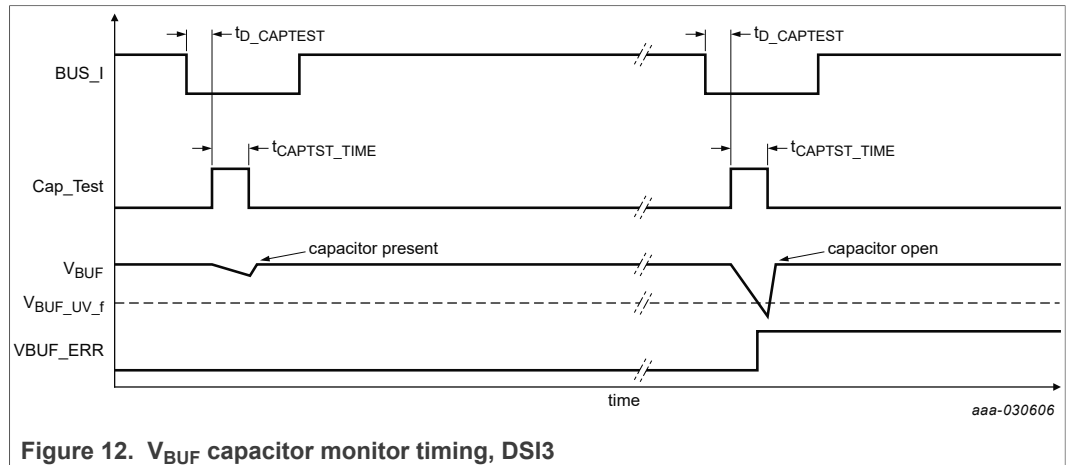


Figure 12.  $V_{BUF}$  capacitor monitor timing, DSI3

11.4.1.2  $V_{BUF}$  capacitance monitor timing, PSI5

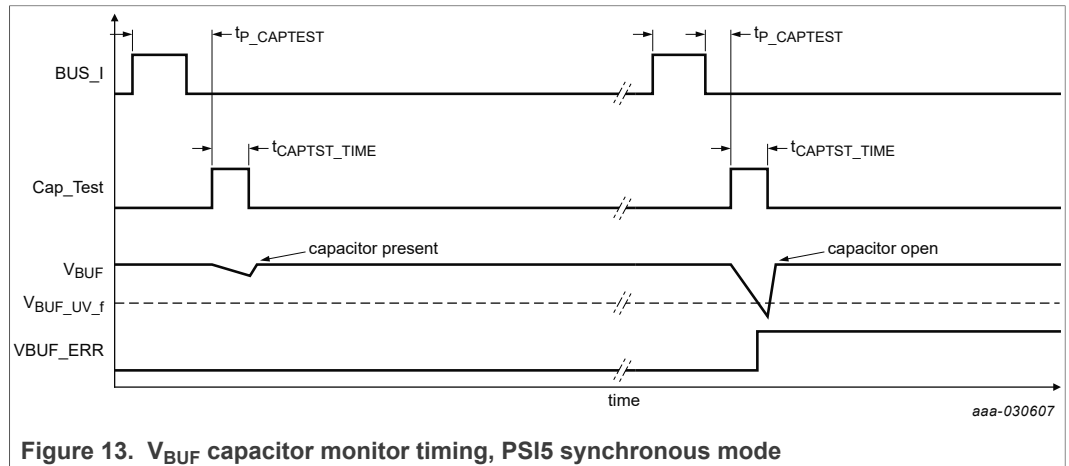


Figure 13.  $V_{BUF}$  capacitor monitor timing, PSI5 synchronous mode

11.4.1.3  $V_{BUF}$  capacitance monitor timing, PSI5 asynchronous mode

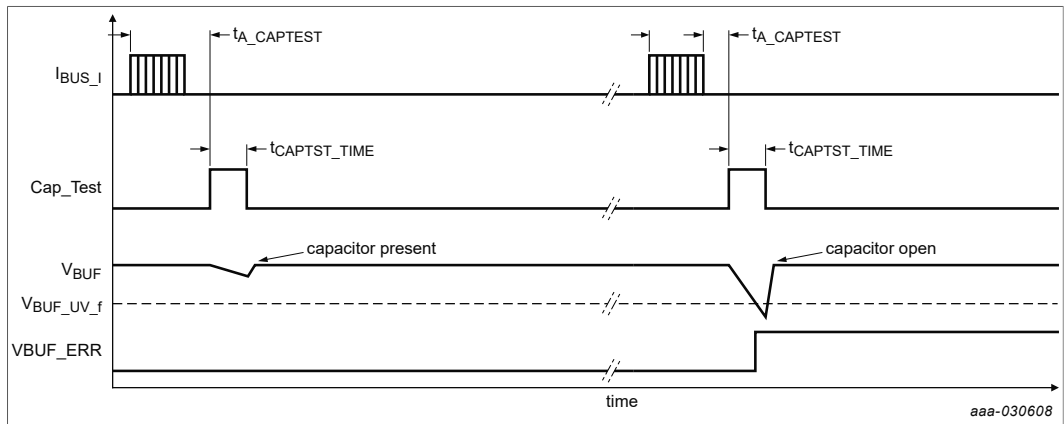


Figure 14.  $V_{BUF}$  capacitor monitor timing, psi5 asynchronous mode

11.4.2  $BUS_I$ ,  $V_{BUF}$ ,  $V_{REG}$ ,  $V_{REGA}$ , undervoltage monitor

A circuit is incorporated to monitor the  $BUS_I$  supply voltage and the internally regulated voltages,  $V_{BUF}$ ,  $V_{REG}$ , and  $V_{REGA}$ . If any of the voltages fall below the specified under-voltage thresholds in [Section 10.4](#), the device reacts as described:

- DSI3
  - If any supply falls below the specified threshold during a command transmission in Command and Response Mode, the command is ignored, and no DSI3 response transmission occurs. Once the supply returns above the threshold, the device will resume decoding commands as specified in [Section 11.2.2.5](#).
  - If any supply falls below the specified threshold during a response transmission in Command and Response Mode, the response is terminated. No attempt is made to resend the response. Once the supply returns above the threshold, the device will resume decoding commands as specified in [Section 11.2.2.5](#).
  - If any supply falls below the specified threshold during a command transmission in Periodic Data Collection Mode, the command is ignored and no periodic response occurs during that period. Once the supply returns above the threshold, the device will resume periodic transmissions in response to commands as specified in [Section 11.2.2.5](#). Any partially received Background Diagnostic Mode command is flushed and the device will begin decoding a new Background Diagnostic Mode command.
  - If any supply falls below the specified threshold during a periodic response transmission in Periodic Data Collection Mode, the response is terminated. No attempt is made to resend the response. Once the supply returns above the threshold, the device will resume periodic transmissions in response to commands as specified in [Section 11.2.2.5](#). Any partially received Background Diagnostic Mode command is flushed and the device will begin decoding a new Background Diagnostic Mode command.
  - If any supply falls below the specified threshold during a Background Diagnostic Mode response transmission in Periodic Data Collection Mode, the response is terminated. No attempt is made to resend the response. Once the supply returns above the threshold, the device will resume periodic transmissions in response to commands as specified in [Section 11.2.2.5](#). Any partially received Background Diagnostic Mode command is flushed and the device will begin decoding a new Background Diagnostic Mode command.

- PSI5
  - If any supply falls below the specified threshold, all PSI5 transmissions are terminated for the present sync pulse or asynchronous transmission cycle. Once the supply returns above the threshold, the device will resume responses as specified in [Section 11.2.2.5](#).
- SPI
  - If any supply falls below the specified threshold, SPI responses are terminated. Once the supply returns above the threshold, the device will resume command decode and response transmissions as specified in [Section 11.2.2.5](#).
- I<sup>2</sup>C
  - If any supply falls below the specified threshold, I<sup>2</sup>C transactions are terminated. Once the supply returns above the threshold, the device will resume responses as specified in [Section 11.2.2.5](#).

See [Figure 15](#) for an example of a supply line interruption during a DSI3 or PSI5 response.

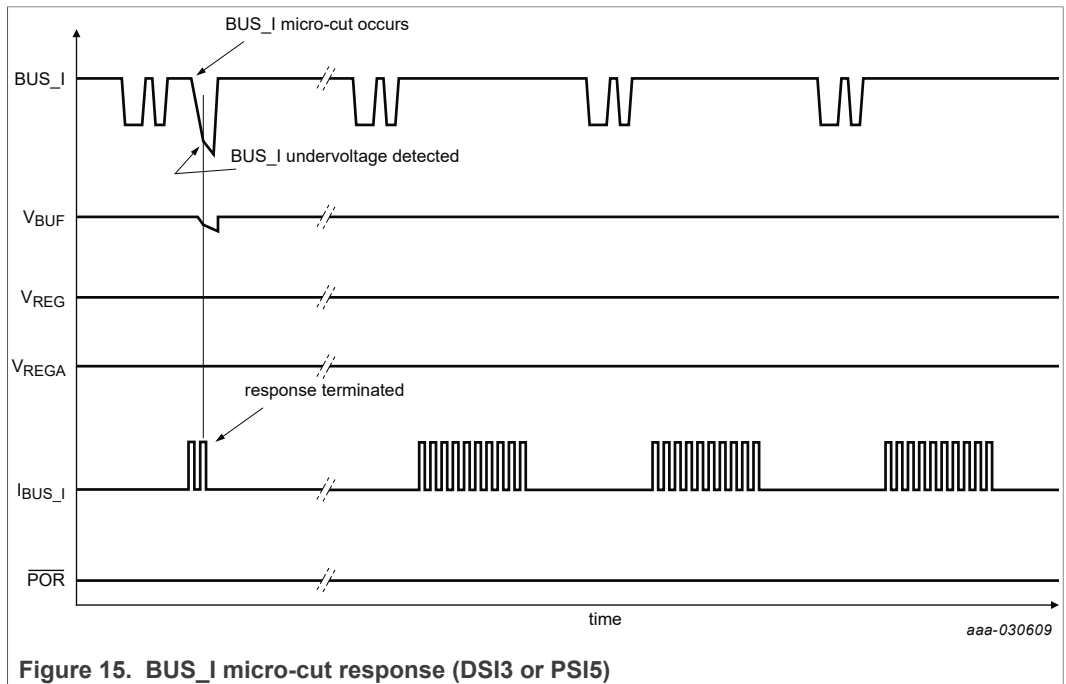


Figure 15. BUS\_I micro-cut response (DSI3 or PSI5)

## 11.5 Internal oscillator

The device includes a factory trimmed oscillator as specified in [Section 10.20](#).

### 11.5.1 Oscillator training

The device includes a feature to train the oscillator to a tighter accuracy than the factory trimmed capability assuming the system master has a tighter oscillator accuracy than the slave factory trimmed capability. This feature can be enabled for all modes: DSI3, PSI5, SPI, and I<sup>2</sup>C.

**Note:** Do not use oscillator training in systems that employ spread spectrum communication methods to reduce emissions.

11.5.1.1 DSI3 oscillator training

Oscillator training is enabled if the CK\_CAL\_EN bit is set in the TIMING\_CFG register and is accomplished by verifying the timing of periodic transmissions from the master against the values stored in the CRM\_PER[1:0] and PDCM\_PER[2:0] bits of the user read/write register array. The master programs the intended Periodic Data Collection Mode command period into the PDCM\_PER[2:0] bits and the intended Command and Response Mode command period into the CRM\_PER[1:0] bits. The device then calculates the number of transmission periods for every 4 ms ( $n_{CRM\_PER\_4ms\_TYP}$  and  $n_{PDCM\_PER\_4ms\_TYP}$ ).

In Command and Response Mode, oscillator training is completed over 4 ms periods if and only if the CK\_CAL\_EN bit is set and the Command and Response Mode period is between 500  $\mu$ s and 4 ms, inclusive. The following procedure is used to train the oscillator (See Figure 16):

1. The device counts the number of oscillator cycles in  $n_{CRM\_PER\_4ms\_TYP}$  periods ( $n_{OSC\_4ms}$ ).
2.  $n_{OSC\_4ms}$  is compared to  $n_{OSC\_4ms\_TYP}$ . If the value is within the acceptable training window ( $OscTrain_{WIN}$ ) specified in Section 10.20, an oscillator adjustment is made. Otherwise, no adjustment is made.
  - a. If  $n_{OSC\_4ms}$  is greater than  $n_{OSC\_4ms\_TYP} + OscTrain_{ADJ}$ , the oscillator frequency target is decreased by  $OscTrain_{RES}$ .
  - b. If  $n_{OSC\_4ms}$  is less than  $n_{OSC\_4ms\_TYP} - OscTrain_{ADJ}$ , the oscillator frequency target is increased by  $OscTrain_{RES}$ .
  - c. The oscillator frequency target value is changed at the end of the command blocking time for the command ending the  $n_{CRM\_PER\_OSC}$  calculation.

If the CK\_CAL\_EN bit is cleared after oscillator training has already been initiated, the state of the oscillator is determined by the state of the CK\_CAL\_RST bit in the TIMING\_CFG register. If the CK\_CAL\_RST bit is cleared, the last adjustment value for the oscillator is maintained. If the CK\_CAL\_RST bit is set, the oscillator is reset to its untrained value with the untrained tolerance specified in Section 10.20.

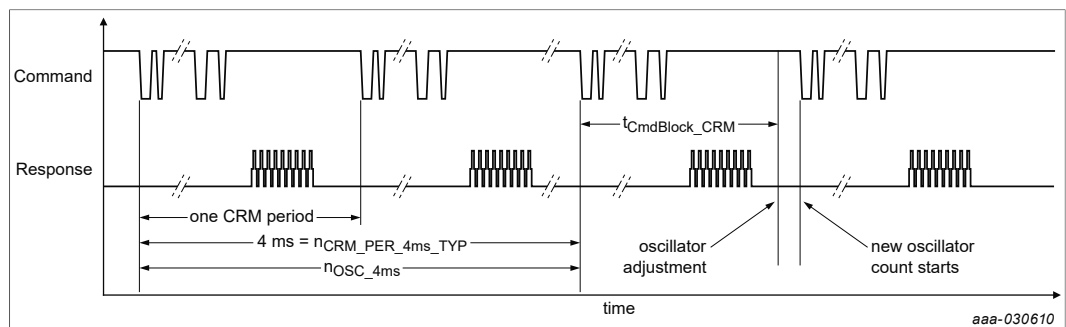


Figure 16. Command and response mode oscillator training timing diagram

In Periodic Data Collection Mode, oscillator training is completed over 4 ms periods if the CK\_CAL\_EN bit is set. The following procedure is used to train the oscillator (See Figure 17):

1. The device counts the number of oscillator cycles in  $n_{PDCM\_PER\_4ms\_TYP}$  periods ( $n_{OSC\_4ms}$ ).

2.  $n_{OSC\_4ms}$  is compared to  $n_{OSC\_4ms\_TYP}$ . If the value is within the acceptable training window ( $OscTrain_{WIN}$ ) specified in [Section 10.20](#), an oscillator adjustment is made. Otherwise, no adjustment is made.
  - a. If  $n_{OSC\_4ms}$  is greater than  $n_{OSC\_4ms\_TYP} + OscTrain_{ADJ}$ , the oscillator frequency target is decreased by  $OscTrain_{RES}$ .
  - b. If  $n_{OSC\_4ms}$  is less than  $n_{OSC\_4ms\_TYP} - OscTrain_{ADJ}$ , the oscillator frequency target is increased by  $OscTrain_{RES}$ .
  - c. The oscillator frequency target value is changed at the end of the command blocking time for the command ending the  $n_{PDCM\_PER\_OSC}$  calculation.

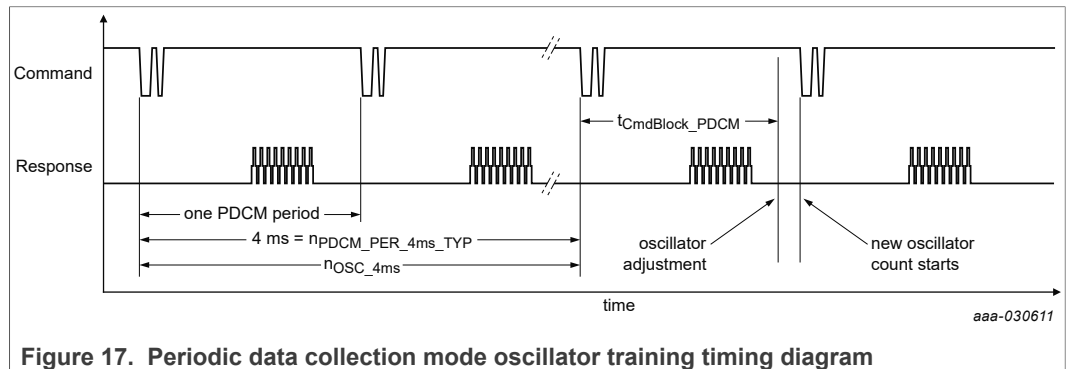


Figure 17. Periodic data collection mode oscillator training timing diagram

11.5.1.2 PSI5 oscillator training

Oscillator training is enabled if the CK\_CAL\_EN bit is set in the TIMING\_CFG register and is accomplished by verifying the timing of periodic transmissions from the master against the values stored in the PDCM\_PER[2:0] bits of the user read/write register array. The sync pulse period is pre-programmed into the PDCM\_PER[2:0] bits. The device then calculates the number of transmission periods for every 4 ms ( $n_{PSI5\_PER\_4ms\_TYP}$ ).

Oscillator training is completed over 4 ms periods if the CK\_CAL\_EN bit is set. The following procedure is used to train the oscillator (see [Figure 18](#)):

1. The device counts the number of oscillator cycles in  $n_{PSI5\_PER\_4ms\_TYP}$  periods ( $n_{OSC\_4ms}$ ).
2.  $n_{OSC\_4ms}$  is compared to  $n_{OSC\_4ms\_TYP}$ . If the value is within the acceptable training window ( $OscTrain_{WIN}$ ) specified in [Section 10.20](#), an oscillator adjustment is made. Otherwise, no adjustment is made.
  - a. If  $n_{OSC\_4ms}$  is greater than  $n_{OSC\_4ms\_TYP} + OscTrain_{ADJ}$ , the oscillator frequency target is decreased by  $OscTrain_{RES}$ .
  - b. If  $n_{OSC\_4ms}$  is less than  $n_{OSC\_4ms\_TYP} - OscTrain_{ADJ}$ , the oscillator frequency target is increased by  $OscTrain_{RES}$ .
  - c. The oscillator frequency target value is changed at the end of the command blocking time for the command ending the  $n_{PDCM\_PER\_OSC}$  calculation.

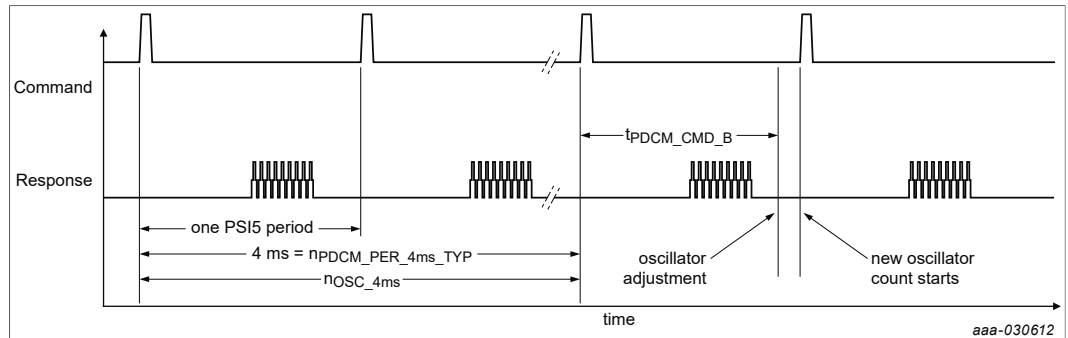


Figure 18. PSI5 oscillator training timing diagram

Notes:

- In order to benefit from the PSI5 oscillator training accuracy improvements, the oscillator must be trained prior to data transmissions in Initialization phase 2. For this reason, if oscillator training is enabled in PSI5 mode, the device will not respond to sync pulses during initialization phase 1, but oscillator training will be enabled  $t_{RS\_PM}$  after reset.

11.5.1.3 SPI oscillator training

Oscillator training is enabled if the CK\_CAL\_EN bit is set in the TIMING\_CFG register and is accomplished by verifying the timing of periodic SOURCEID\_0 sensor data request SPI commands from the master against the value stored in the PDC-M\_PER[2:0] bits of the user read/write register array. The master programs the intended command period into the PDC-M\_PER[2:0] bits. The device then calculates the number of transmission periods for every 4 ms ( $n_{SPI\_PER\_4ms\_TYP}$ ).

In SPI Mode, oscillator training is completed over 4 ms periods if the CK\_CAL\_EN bit is set. The following procedure is used to train the oscillator:

1. The device counts the number of oscillator cycles in  $n_{SPI\_PER\_4ms\_TYP}$  periods ( $n_{OSC\_4ms}$ ).
2.  $n_{OSC\_4ms}$  is compared to  $n_{OSC\_4ms\_TYP}$ . If the value is within the acceptable training window ( $OscTrain_{WIN}$ ) specified in Section 10.20, an oscillator adjustment is made. Otherwise, no adjustment is made.
  - a. If  $n_{OSC\_4ms}$  is greater than  $n_{OSC\_4ms\_TYP} + OscTrain_{ADJ}$ , the oscillator frequency target is decreased by  $OscTrain_{RES}$ .
  - b. If  $n_{OSC\_4ms}$  is less than  $n_{OSC\_4ms\_TYP} - OscTrain_{ADJ}$ , the oscillator frequency target is increased by  $OscTrain_{RES}$ .
  - c. The oscillator frequency target value is changed.

11.5.1.4 I<sup>2</sup>C oscillator training

Oscillator training is enabled if the CK\_CAL\_EN bit is set in the TIMING\_CFG register and is accomplished by verifying the timing of periodic I<sup>2</sup>C reads of the SNSDATA0\_L register from the master against the value stored in the PDCM\_PER[2:0] bits of the user read/write register array. The master programs the intended command period into the PDCM\_PER[2:0] bits. The device then calculates the number of transmission periods for every 4 ms ( $n_{SPI\_PER\_4ms\_TYP}$ ).

In I<sup>2</sup>C mode, oscillator training is completed over 4 ms periods if the CK\_CAL\_EN bit is set. The following procedure is used to train the oscillator:



1. The device counts the number of oscillator cycles in  $n_{I2C\_PER\_4ms\_TYP}$  periods ( $n_{OSC\_4ms}$ ).
2.  $n_{OSC\_4ms}$  is compared to  $n_{OSC\_4ms\_TYP}$ . If the value is within the acceptable training window ( $OscTrain_{WIN}$ ) specified in [Section 10.20](#), an oscillator adjustment is made. Otherwise, no adjustment is made.
  - a. If  $n_{OSC\_4ms}$  is greater than  $n_{OSC\_4ms\_TYP} + OscTrain_{ADJ}$ , the oscillator frequency target is decreased by  $OscTrain_{RES}$ .
  - b. If  $n_{OSC\_4ms}$  is less than  $n_{OSC\_4ms\_TYP} - OscTrain_{ADJ}$ , the oscillator frequency target is increased by  $OscTrain_{RES}$ .
  - c. The oscillator frequency target value is changed.

### 11.5.2 Oscillator training error handling

If oscillator training is enabled by the user, but the conditions are not correct to complete oscillator training, the OSC-TRAIN\_ERR bit is set in the DEVSTAT register. The following conditions will result in the OSCTRAIN\_ERR bit being set.

- The CLK\_CAL\_EN bit in the TIMING\_CFG register is set and the measured period ( $n_{OSC\_4ms}$ ) for any mode is outside the Oscillator Training Window ( $OscTrain_{WIN}$ ).
- The result of the comparison is filtered with an up and down counter.
- If  $n_{OSC\_4ms}$  is outside the oscillator training window, the counter is incremented.
- If  $n_{OSC\_4ms}$  is inside the oscillator training window, the counter is decremented.
- If the counter reaches the OSCTRAIN\_ERRCNT setting in the TIMING\_CFG2 register, the OSCTRAIN\_ERR bit is set.
- The up and down counter has a maximum value of 127 and a minimum value of 0.
- The Command and Response Mode period established by the PDCM\_PER and CRM\_PER settings does not fall within the 500  $\mu$ s to 4 ms window.
- The Command and Response Mode period established by the PDCM\_PER and CRM\_PER settings is not a whole number divisor of 4 ms.

## 11.6 Inertial sensor signal path

### 11.6.1 Inertial sensor transducer

The device transducer is an overdamped mass-spring-damper system defined by the following transfer function:

$$H(s) = \frac{\omega_n^2}{s^2 + 2\zeta\omega_n s + \omega_n^2} \tag{2}$$

Where:

- $\zeta$  = Damping Ratio
- $\omega_n$  = Natural Frequency =  $2 * \pi * f_n$

See [Section 10.19](#) for transducer parameters.

11.6.2 Inertial sensor self-test interface

The analog self-test interface applies a voltage to the g-cell, causing deflection of the proof mass. The resulting sensor data can be compared against the values stored in the Self-test Deflection Registers (See [Section 11.2.37](#)). The self-test interface is controlled through register write operations to the ST\_CTRL[3:0] bits in the CHx\_CFG\_U5 register described in [Section 11.2.27](#). A diagram of the self-test interface is shown in [Figure 19](#).

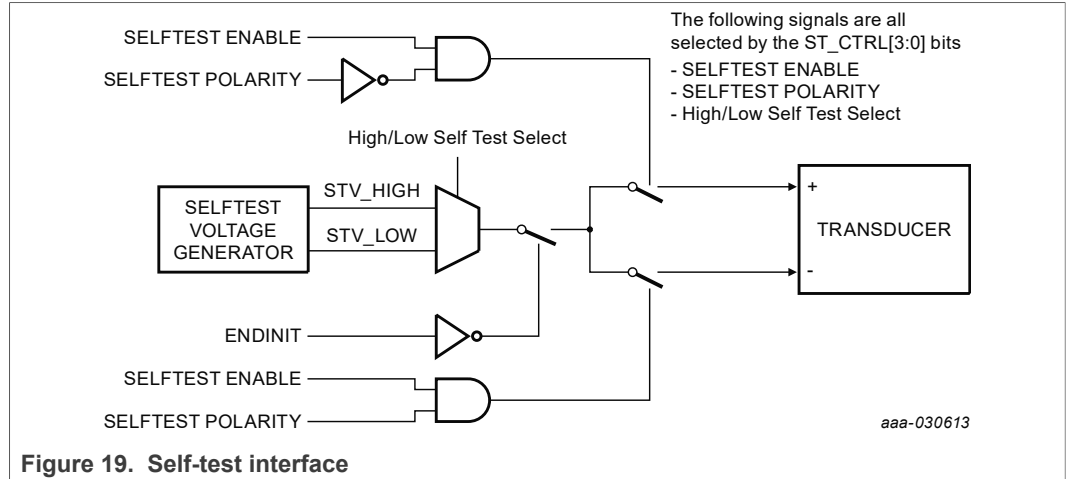


Figure 19. Self-test interface

Two self-test voltages are available for each device range. The self-test voltage is selected via the ST\_CTRL[3:0] bits.

Self-test can be verified via the following methods:

11.6.2.1 Raw self-test deflection verification

In DSI3 mode, SPI mode or I<sup>2</sup>C mode, the raw self-test deflection can be verified against raw self-test limits in [Section 10.7](#).

11.6.2.2 Delta self-test deflection verification

In DSI3 mode, SPI mode or I<sup>2</sup>C mode, the raw self-test deflection can be verified against the nominal temperature self-test deflection value recorded at the time the device was produced. The production self-test deflection is stored in the CHx\_STy\_z register as defined in [Section 11.2.37](#). The Delta Self-test Deflection limits can then be determined by [Equation 3](#) and [Equation 4](#):

$$\Delta ST_{ACCMINLIMIT} = STDATA \times (1 - \Delta ST_{ACC}) \tag{3}$$

**Note:** This value is truncated.

$$\Delta ST_{ACCMAXLIMIT} = STDATA \times (1 + \Delta ST_{ACC}) \tag{4}$$

**Note:** This value is rounded up.

Where:

- $\Delta ST_{ACC}$  = The accuracy of the self-test deflection relative to the stored deflection as specified in [Section 10.8](#).
- STDATA = The value stored in the appropriate CHx\_STy\_z register as defined in [Section 11.2.37](#).

### 11.6.2.3 Startup digital self-test

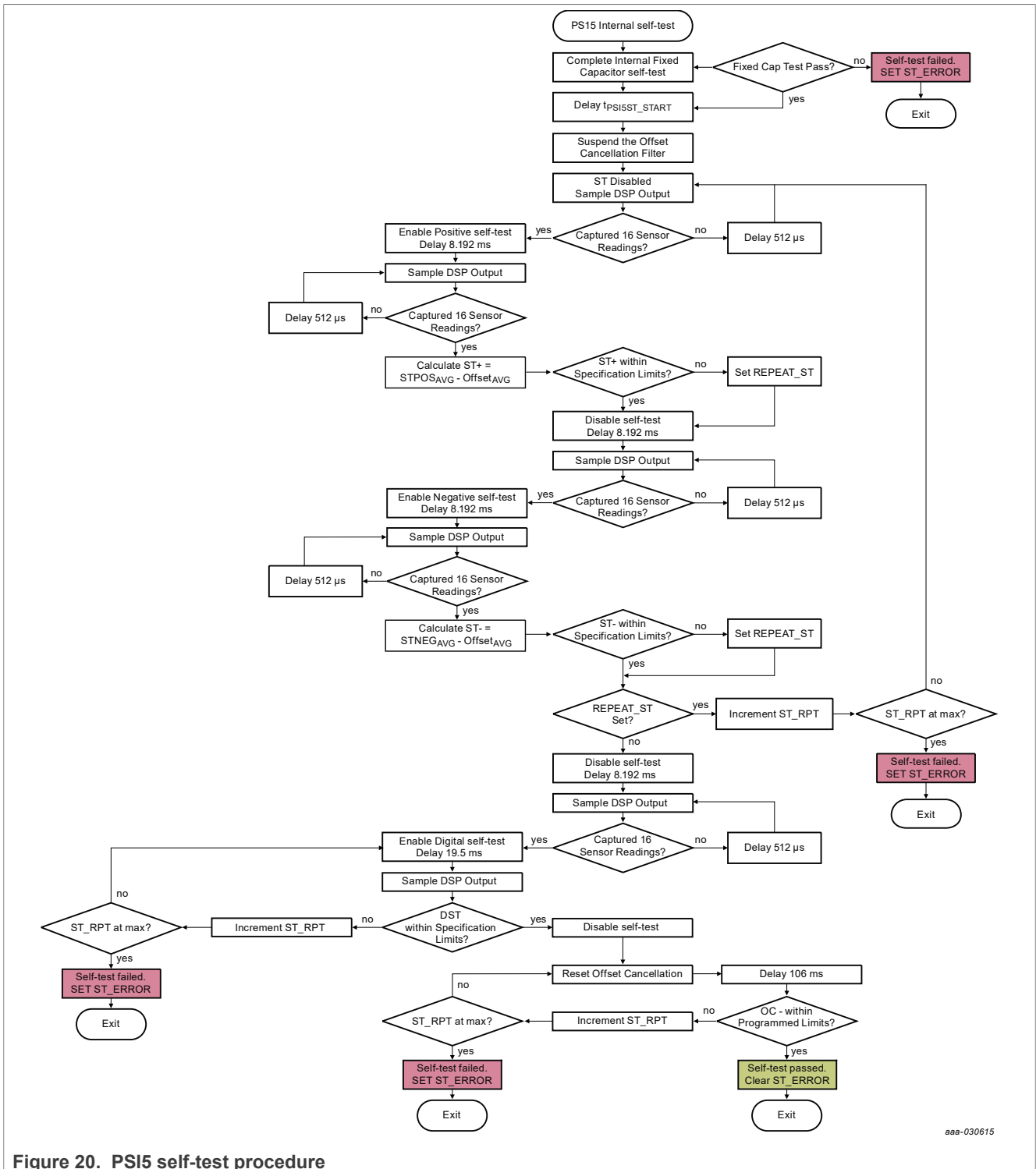
In DSI3 mode, SPI mode or I<sup>2</sup>C mode, during device initialization (ENDINIT not set), the user can activate a digital self-test by writing to the ST\_CTRL[3:0] bits in the CHx\_CFG\_U5 register. The digital self-test inputs a known signal stream into the front end of the DSP. After a delay defined by the low-pass filter selected, the output sensor data reaches a fixed value which can be verified by the user. The digital self-test values are listed in [Section 11.2.27.1](#).

### 11.6.2.4 Fixed pattern self-test

In DSI3 mode, SPI mode or I<sup>2</sup>C mode, during device initialization (ENDINIT not set), the user can activate a fixed pattern self-test by writing to the ST\_CTRL[3:0] bits in the CHx\_CFG\_U5 register. Fixed pattern self-tests force the DSP output to a set of known values, enabling the user to verify each bit of the sensor data. The fixed pattern self-test values are listed in [Section 11.2.27.1](#).

### 11.6.2.5 PSI5 automatic startup self-test procedure

[Figure 20](#) shows the PSI5 self-test procedure which is run automatically at startup on each channel if the device is a PSI5 device. The minimum gain settings are used for this procedure: U\_SNS\_SHIFT = '00', U\_SNS\_MULT = 0x00.



aaa-030615

Figure 20. PSI5 self-test procedure

If the ST\_ERROR flag in the CHx\_STAT register is set once this test is complete, the device will exit PSI5 initialization phase 2 with a self-test error and the self-test error message are transmitted instead of sensor data. In this case, the ST\_ERROR bit can only be cleared by a device reset.

11.6.3 Inertial sensor  $\Sigma\Delta$  converter

A second order sigma delta modulator converts the differential capacitance of the transducer to a data stream that is input to the DSP. The sigma delta modulator operates at a frequency of 1 MHz. A simplified block diagram is shown in Figure 6.

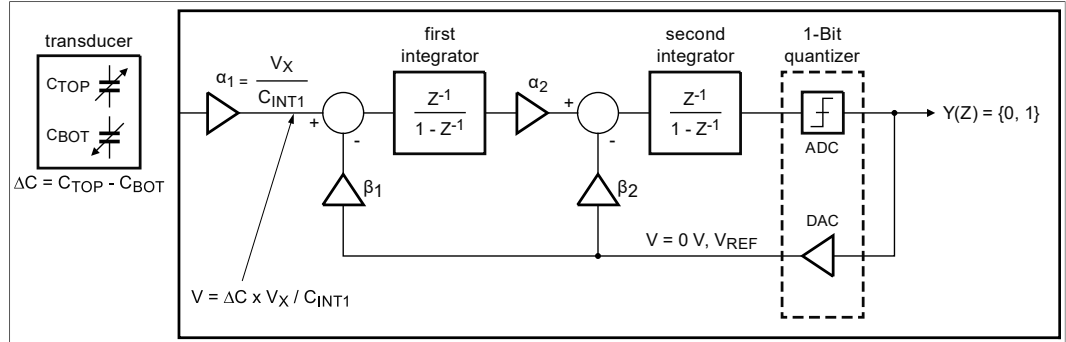


Figure 21.  $\Sigma\Delta$  converter block diagram

11.6.4 Inertial sensor digital signal processor

A digital signal processor (DSP) is used to perform signal filtering and compensation. A diagram illustrating the signal processing flow within the DSP is shown in Figure 22.

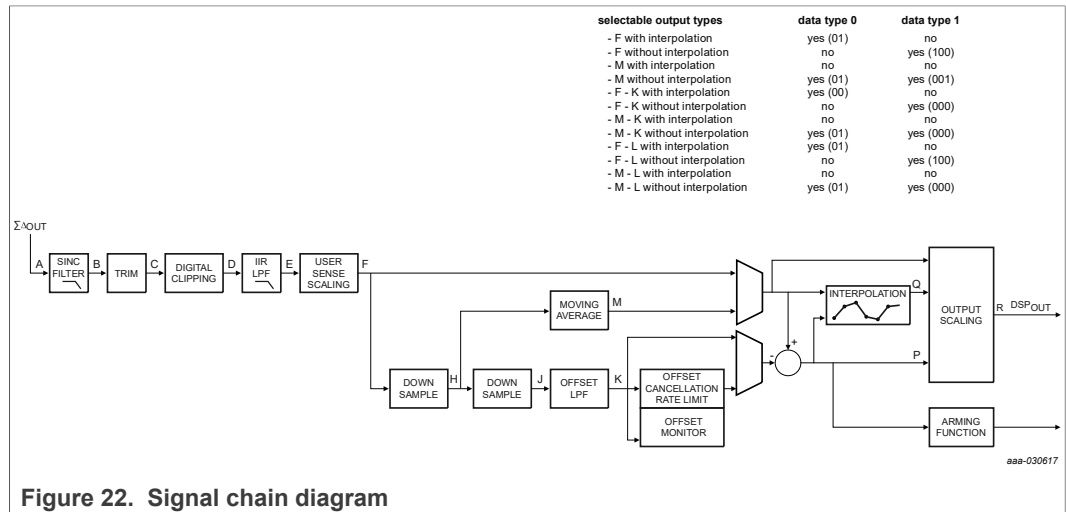


Figure 22. Signal chain diagram

Table 200. Signal chain diagram legend

Description	Sample Time (μs)	Data width (Bits)	Sign (Bits)	Over range (Bits)	Signal width (Bits)	Signal margin (Bits)	Typical block latency	Reference
A $\Sigma\Delta$	1	1	1	NA	1	NA	2.5 μs	<a href="#">Section 11.6.3</a>
B SINC Filter	16, 32, 64	23	1	NA	21	NA	22.5 μs	<a href="#">Section 11.6.4.1</a>
C Trim	16, 32, 64	32	1	2	18	11	N/A	<a href="#">Section 11.6.4.2</a>
D Digital Clipping	16, 32, 64	32	1	2	18	11	N/A	<a href="#">Section 11.6.4.3</a>
E Low-pass filter	16, 32, 64	32	1	2	18	11	Filter Dependent	<a href="#">Section 11.6.4.4</a>

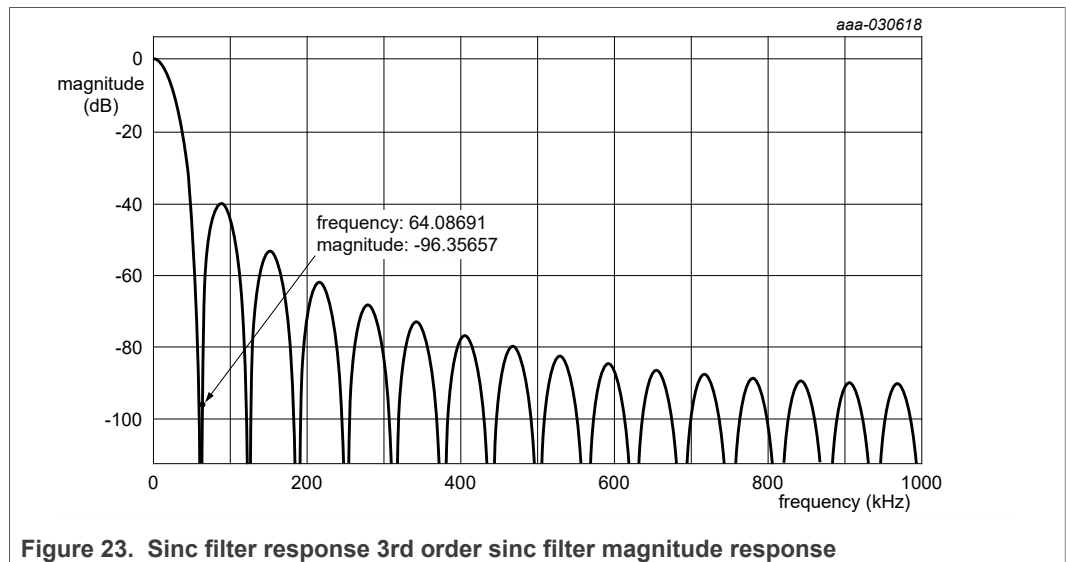
**Table 200. Signal chain diagram legend...continued**

	Description	Sample Time (µs)	Data width (Bits)	Sign (Bits)	Over range (Bits)	Signal width (Bits)	Signal margin (Bits)	Typical block latency	Reference
F	User Scaling	16, 32, 64	32	1	2	18	11	N/A	<a href="#">Section 11.6.4.5</a>
H	Down Sample	32, 64, 128	32	1	NA	31	NA	N/A	<a href="#">Section 11.6.4.7</a>
J	Secondary Down Sample	256	32	1	NA	31	NA	N/A	<a href="#">Section 11.6.4.6</a>
K	Offset low-pass filter	256	16	1	2	11	2	N/A	<a href="#">Section 11.6.4.6</a>
L	Offset Rate Limiting	256	16	1	2	11	2	N/A	<a href="#">Section 11.6.4.6</a>
M	Moving Average Filter	32, 64, 128	24	1	2	18	3	Filter Dependent	<a href="#">Section 11.6.4.7</a>
P	Offset Subtraction	32, 64, 128	24	1	2	18	3	N/A	<a href="#">Section 11.6.4.6</a>
Q	Interpolation	1, 2, 4	24	1	2	18	3	t <sub>SigChainXX</sub>	<a href="#">Section 11.6.4.8</a>
R	Output Range Selection	1, 2, 4	18	User Selectable				N/A	<a href="#">Section 11.6.4.9</a>

**11.6.4.1 Decimation sinc filter**

The output of the ΣΔ modulator is decimated and converted to a parallel value by a third order Sinc Filter with a decimation ratio of 16.

$$H(Z) = \left(\frac{1}{16^3}\right) \times \left(\frac{1-Z^{-16}}{1-Z^{-1}}\right)^3 \tag{5}$$



**Figure 23. Sinc filter response 3rd order sinc filter magnitude response**

**11.6.4.2 Signal trim and compensation**

The device includes digital trim to compensate for sensor offset, sensitivity, and non-linearity over temperature. [Equation 6](#), [Equation 7](#), [Equation 8](#), and [Equation 9](#) are used for the trim compensation.

$$Offset_{Trim} = A_0 + B_2 \times (T - T_{25}) + C_{22} \times (T - T_{25})^2 \tag{6}$$

$$Sensitivity_{Trim} = B_1 + (T - T_{25}) \times C_{12} \tag{7}$$

$$Linearity_{Trim} = C_{11} \tag{8}$$

$$Trim_{OUT} = Trim_{In} \times [Sensitivity_{Trim} + Trim_{In} \times Linearity_{Trim}] + Offset_{Trim} \tag{9}$$

**Table 201. Signal trim and compensation variable descriptions**

Variable name	Description	Range (Real)	Variable size (Bits)	Resolution (Real)
$A_0$	Offset Compensation	-1.0 to +1.0	12	4.8852e-04
$B_2$	Offset Compensation with First Order Temperature Compensation	-1.0 to +1.0	12	4.8852e-04
$C_{22}$	Offset Compensation with Second Order Temperature Compensation	-1.0 to +1.0	12	4.8852e-04
$B_1$	Sensitivity Compensation	-1.0 to +1.0	12	4.8852e-04
$C_{12}$	Sensitivity Compensation with First Order Temperature Compensation	-1.0 to +1.0	12	4.8852e-04
$C_{11}$	Linearity Compensation	-1.0 to +1.0	12	4.8852e-04
$T$	Temperature Sensor Digital Output Value	-1.0 to +1.0	12	4.8852e-04
$T_{25}$	Temperature Sensor Output Value stored at the Ambient Test Insertion	-1.0 to +1.0	12	4.8852e-04
$Trim_{In}$	Output of the Sinc Filter			
$Trim_{Out}$	Output of the Trim Block			

**11.6.4.3 Digital clipping**

The device includes a digital clipping block to maximize the symmetry between the positive and negative electrical dynamic range of the device. Digital clipping values are specified in [Section 10.9](#) and [Section 10.10](#).

**11.6.4.4 Low-pass filter**

Data from the Sinc filter is processed by an infinite impulse response (IIR) low-pass filter.

$$H(z) = a_0 \cdot \frac{(n_{11}z^0)(n_{12}z^{-1})(n_{13}z^{-2})}{(d_{11}z^0)(d_{12}z^{-1})(d_{13}z^{-2})} \cdot \frac{(n_{21}z^0)(n_{22}z^{-1})(n_{23}z^{-2})}{(d_{21}z^0)(d_{22}z^{-1})(d_{23}z^{-2})} \tag{10}$$

The device provides the option for one of several low-pass filters. The filter coefficients are selected with the LPF[3:0] bits in the CHx\_CFG\_U1 registers.

The filter selection options are listed in [Section 11.2.23.1](#). Response parameters for the low-pass filter are specified in [Section 10.18](#). Filter characteristics for the highest sample rate are illustrated in [Figure 24](#) through [Figure 49](#).

Table 202. LPF #0 and LPF #2

Filter #	LPF[3:0]	SAMPLERATE[1:0]	Typical -3 dB Frequency (Hz)	Sample time (µs)	Filter order	Group delay (µs)	1000 Hz Attenuation (dB)	Step response Activation to 99 % (ms)	Filter coefficients				
									a <sub>0</sub>	n <sub>11</sub>	d <sub>11</sub>		
0, 2	0000 or 0010	00 or 01	400	16	4	839	-19.5	1.59	a <sub>0</sub>	0.003143225986084408			
									n <sub>11</sub>	0.0009951105668343345	d <sub>11</sub>	1	
		10	200	32		1678	-42.3	3.18	n <sub>12</sub>	0.002003487780064749	d <sub>12</sub>	-1.892328151433503	
									n <sub>13</sub>	0.001008466113720278	d <sub>13</sub>	0.8954713774195870	
		11	100	64		3356	-66.0	6.36	n <sub>21</sub>	0.2516720624825626	d <sub>21</sub>	1	
									n <sub>22</sub>	0.4999888752940916	d <sub>22</sub>	-1.918978239761011	
n <sub>23</sub>	0.2483390622233452	d <sub>23</sub>	0.9229853042218408										

Table 203. LPF #1 and LPF #3

Filter #	LPF[3:0]	SAMPLERATE[1:0]	Typical -3 dB Frequency (Hz)	Sample time (µs)	Filter order	Group delay (µs)	1000 Hz Attenuation (dB)	Step response Activation to 99 % (ms)	Filter coefficients				
									a <sub>0</sub>	n <sub>11</sub>	d <sub>11</sub>		
1, 3	0001 or 0011	00 or 01	400	16	3	697	-16.6	1.49	a <sub>0</sub>	0.05189235225042199			
									n <sub>11</sub>	0.001629077582099646	d <sub>11</sub>	1	
		10	200	32		1394	-33.5	2.98	n <sub>12</sub>	0.001630351547919014	d <sub>12</sub>	-0.9481076477495780	
									n <sub>13</sub>	0	d <sub>13</sub>	0	
		11	100	64		2788	-51.5	5.96	n <sub>21</sub>	0.2500977520825902	d <sub>21</sub>	1	
									n <sub>22</sub>	0.4999999235890745	d <sub>22</sub>	-1.915847097557409	
n <sub>23</sub>	0.2499023243303036	d <sub>23</sub>	0.9191065266874253										

Table 204. LPF #4

Filter #	LPF[3:0]	SAMPLERATE[1:0]	Typical -3 dB Frequency (Hz)	Sample time (µs)	Filter order	Group delay (µs)	1000 Hz Attenuation (dB)	Step response Activation to 99 % (ms)	Filter coefficients				
									a <sub>0</sub>	n <sub>11</sub>	d <sub>11</sub>		
4	0100	00 or 01	325	16	4	856	-21.4	1.84	a <sub>0</sub>	0.0424754749983549118			
									n <sub>11</sub>	0.0010903775691986084	d <sub>11</sub>	1	
		10	162.5	32		1712	-38.7	3.68	n <sub>12</sub>	0.00108939409255981445	d <sub>12</sub>	-0.95752453804016113281	
									n <sub>13</sub>	0	d <sub>13</sub>	0	
		11	81.25	64		3424	-56.8	7.36	n <sub>21</sub>	0.24988752603530883789	d <sub>21</sub>	1	
									n <sub>22</sub>	0.49999989569187164307	d <sub>22</sub>	-1.93140876293182373047	
n <sub>23</sub>	0.2501125633716583252	d <sub>23</sub>	0.93358850479125976562										

Table 205. LPF #5

Filter #	LPF[3:0]	SAMPLERATE[1:0]	Typical -3 dB Frequency (Hz)	Sample time (µs)	Filter order	Group delay (µs)	1000 Hz Attenuation (dB)	Step response Activation to 99 % (ms)	Filter coefficients				
									a <sub>0</sub>	n <sub>11</sub>	d <sub>11</sub>		
5	0101	00 or 01	370	16	2	586	-14.1	1.55	a <sub>0</sub>	0.00220982858445495367			
									n <sub>11</sub>	0.25	d <sub>11</sub>	1	

FXLS9xxxx All information provided in this document is subject to legal disclaimers. © NXP B.V. 2021. All rights reserved.



**Table 205. LPF #5...continued**

Filter #	LPF[3:0]	SAMPLERATE[1:0]	Typical -3 dB Frequency (Hz)	Sample time (µs)	Filter order	Group delay (µs)	1000 Hz Attenuation (dB)	Step response Activation to 99 % (ms)	Filter coefficients			
		10	185	32		1172	-25.2	3.10	n <sub>12</sub>	0.499999985 09883880615	d <sub>12</sub>	-1.918031513 69094848633
									n <sub>13</sub>	0.25	d <sub>13</sub>	0.920241355 89599609375
									n <sub>21</sub>	1	d <sub>21</sub>	1
		11	92.5	64		2344	-37.2	6.20	n <sub>22</sub>	0	d <sub>22</sub>	0
									n <sub>23</sub>	0	d <sub>23</sub>	0

**Table 206. LPF #6**

Filter #	LPF[3:0]	SAMPLERATE[1:0]	Typical -3 dB Frequency (Hz)	Sample time (µs)	Filter order	Group delay (µs)	1000 Hz Attenuation (dB)	Step response Activation to 99 % (ms)	Filter coefficients				
6	0110	00 or 01	180	16	2	1187	-25.6	3.19	a <sub>0</sub>	0.000534069 20051202178			
									n <sub>11</sub>	0.25	d <sub>11</sub>	1	
		10	90	32			2374	-37.5	6.38	n <sub>12</sub>	0.50	d <sub>12</sub>	-1.959839582 44323730469
										n <sub>13</sub>	0.25	d <sub>13</sub>	0.960373640 06042480469
										n <sub>21</sub>	1	d <sub>21</sub>	1
		11	45	64			4748	-49.7	12.8	n <sub>22</sub>	0	d <sub>22</sub>	0
										n <sub>23</sub>	0	d <sub>23</sub>	0

**Table 207. LPF #7**

Filter #	LPF[3:0]	SAMPLERATE[1:0]	Typical -3 dB Frequency (Hz)	Sample time (µs)	Filter order	Group delay (µs)	1000 Hz Attenuation (dB)	Step response Activation to 99 % (ms)	Filter coefficients				
7	0111	00 or 01	100	16	2	2167	-35.7	4 5.75	a <sub>0</sub>	0.000166309 83736831695			
									n <sub>11</sub>	0.25	d <sub>11</sub>	1	
		10	50	32			4334	-47.7	11.5	n <sub>12</sub>	0.5	d <sub>12</sub>	-1.977621793 74694824219
										n <sub>13</sub>	0.25	d <sub>13</sub>	0.977788090 70587158203
										n <sub>21</sub>	1	d <sub>21</sub>	1
		11	25	64			8668	-60.0 5	23.0	n <sub>22</sub>	0	d <sub>22</sub>	0
										n <sub>23</sub>	0	d <sub>23</sub>	0

**Table 208. LPF #8**

Filter #	LPF[3:0]	SAMPLERATE[1:0]	Typical -3 dB Frequency (Hz)	Sample time (µs)	Filter order	Group delay (µs)	1000 Hz Attenuation (dB)	Step response Activation to 99 % (ms)	Filter coefficients				
8	1000	00 or 01	1500	16	4	223	-1.26	0.420	a <sub>0</sub>	0.038343372 95612844088			
									n <sub>11</sub>	0.012602858 55167835381	d <sub>11</sub>	1	
		10	750	32			446	-5.70	0.840	n <sub>12</sub>	0.025205812 95635351826	d <sub>12</sub>	-1.621822061 87479138748
										n <sub>13</sub>	0.012602841 71453899225	d <sub>13</sub>	0.660165434 83091971734

**Table 208. LPF #8...continued**

Filter #	LPF[3:0]	SAMPLERATE[1:0]	Typical -3 dB Frequency (Hz)	Sample time (µs)	Filter order	Group delay (µs)	1000 Hz Attenuation (dB)	Step response Activation to 99 % (ms)	Filter coefficients				
									n <sub>21</sub>	0.250000391 85483757809		d <sub>21</sub>	1
		11	375	64		892	-21.7	1.68	n <sub>22</sub>	0.499998882 29656874739		d <sub>22</sub>	-1.691365664 38039781524
									n <sub>23</sub>	0.250000725 84865173919		d <sub>23</sub>	0.741777177 60299266558

**Table 209. LPF #9**

Filter #	LPF[3:0]	SAMPLERATE[1:0]	Typical -3 dB Frequency (Hz)	Sample time (µs)	Filter order	Group delay (µs)	1000 Hz Attenuation (dB)	Step response Activation to 99 % (ms)	Filter coefficients				
									a <sub>0</sub>	0.064615703 92887561187		d <sub>11</sub>	1
9	1001	00 or 01	500	16	3	558	-12.0	1.18	n <sub>11</sub>	0.002532283 58602412005		d <sub>11</sub>	1
		10	250	32		1116	-27.9	2.36	n <sub>12</sub>	0.002533824 55746249506		d <sub>12</sub>	-0.935384296 07112438813
									n <sub>13</sub>	0.0		d <sub>13</sub>	0.0
									n <sub>21</sub>	0.250076066 29379214302		d <sub>21</sub>	1
		11	125	64		2232	-45.8	4.72	n <sub>22</sub>	0.499999953 72560029905		d <sub>22</sub>	-1.894618878 39771225828
									n <sub>23</sub>	0.249923979 97755622097		d <sub>23</sub>	0.899684986 54120099278

**Table 210. LPF #A**

Filter #	LPF[3:0]	SAMPLERATE[1:0]	Typical -3 dB Frequency (Hz)	Sample time (µs)	Filter order	Group delay (µs)	1000 Hz Attenuation (dB)	Step response Activation to 99 % (ms)	Filter coefficients				
									a <sub>0</sub>	0.011904109 84205714229		d <sub>11</sub>	1
A	1010	00 or 01	800	16	4	419	-4.92	0.795	n <sub>11</sub>	0.003841581 86528944052		d <sub>11</sub>	1
		10	400	32		838	-19.5	1.59	n <sub>12</sub>	0.007683254 14507123675		d <sub>12</sub>	-1.790004627 19285069468
									n <sub>13</sub>	0.003841554 98534484614		d <sub>13</sub>	0.801908737 03490794799
									n <sub>21</sub>	0.250001033 66513437564		d <sub>21</sub>	1
		11	200	64		1676	-42.3	3.18	n <sub>22</sub>	0.499996183 39874751793		d <sub>22</sub>	-1.836849434 91757790568
									n <sub>23</sub>	0.250002782 93126343421		d <sub>23</sub>	0.852215825 91330946599

**Table 211. LPF #B**

Filter #	LPF[3:0]	SAMPLERATE[1:0]	Typical -3 dB Frequency (Hz)	Sample time (µs)	Filter order	Group delay (µs)	1000 Hz Attenuation (dB)	Step response Activation to 99 % (ms)	Filter coefficients				
									a <sub>0</sub>	0.025461958 27091324651		d <sub>11</sub>	1
B	1011	00 or 01	1200	16	4	279	-2.00	0.530	n <sub>11</sub>	0.008307694 58672901175		d <sub>11</sub>	1

**Table 211. LPF #B...continued**

Filter #	LPF[3:0]	SAMPLERATE[1:0]	Typical -3 dB Frequency (Hz)	Sample time (µs)	Filter order	Group delay (µs)	1000 Hz Attenuation (dB)	Step response Activation to 99 % (ms)	Filter coefficients			
									n <sub>12</sub>	d <sub>12</sub>	n <sub>13</sub>	d <sub>13</sub>
		10	600	32		558	-9.30	1.06	n <sub>12</sub>	0.016615493 41945577768	d <sub>12</sub>	-1.692260733 94381204551
									n <sub>13</sub>	0.008307673 73784346147	d <sub>13</sub>	0.717722692 21472528855
									n <sub>21</sub>	0.250000627 40839573694	d <sub>21</sub>	1
		11	300	64		1116	-28.8	2.12	n <sub>22</sub>	0.499998117 78583796995	d <sub>22</sub>	-1.753850626 39799738093
									n <sub>23</sub>	0.250001254 80314383530	d <sub>23</sub>	0.787081488 14205258770

**Table 212. LPF #C**

Filter #	LPF[3:0]	SAMPLERATE[1:0]	Typical -3 dB Frequency (Hz)	Sample time (µs)	Filter order	Group delay (µs)	1000 Hz Attenuation (dB)	Step response Activation to 99 % (ms)	Filter coefficients			
									a <sub>0</sub>	n <sub>11</sub>	d <sub>11</sub>	n <sub>12</sub>
C	1100 or 1101	00 or 01	120	16	3	2325	-46.5	5.00	a <sub>0</sub>	0.015895001 45947964072		
									n <sub>11</sub>	0.000151619 88544501960	d <sub>11</sub>	1
		10	60	32		4650	-64.5	10.0	n <sub>12</sub>	0.000152009 54845361584	d <sub>12</sub>	-0.984104998 54052035928
									n <sub>13</sub>	0.0	d <sub>13</sub>	0.0
		11	30	64		9300	-82.8	20.0	n <sub>21</sub>	0.250321249 94306603760	d <sub>21</sub>	1
									n <sub>22</sub>	0.499999175 53953604488	d <sub>22</sub>	-1.974640453 92631648568
n <sub>23</sub>	0.249679574 70143059551	d <sub>23</sub>	0.974944083 36020621508									

**Table 213. LPF #D**

Filter #	LPF[3:0]	SAMPLERATE[1:0]	Typical -3 dB Frequency (kHz)	Sample time (µs)	Filter order	Group delay (µs)	1000 Hz Attenuation (dB)	Step response Activation to 99 % (ms)	Filter coefficients			
									a <sub>0</sub>	n <sub>11</sub>	d <sub>11</sub>	n <sub>12</sub>
D	1100 or 1101	00 or 01	20	16	2	< 50	0	< 0.100	a <sub>0</sub>	0.462284907 69863128662		
									n <sub>11</sub>	1.032979726 79138183594	d <sub>11</sub>	1
		10	10	32		< 100	-0.01	< 0.200	n <sub>12</sub>	2.065959453 58276367188	d <sub>12</sub>	0.723919987 67852783203
									n <sub>13</sub>	1.032979726 79138183594	d <sub>13</sub>	0.186203718 18542480469
		11	5	64		< 200	-0.04	< 0.400	n <sub>21</sub>	1	d <sub>21</sub>	1
									n <sub>22</sub>	0	d <sub>22</sub>	0
n <sub>23</sub>	0	d <sub>23</sub>	0									

**Table 214. LPF #E**

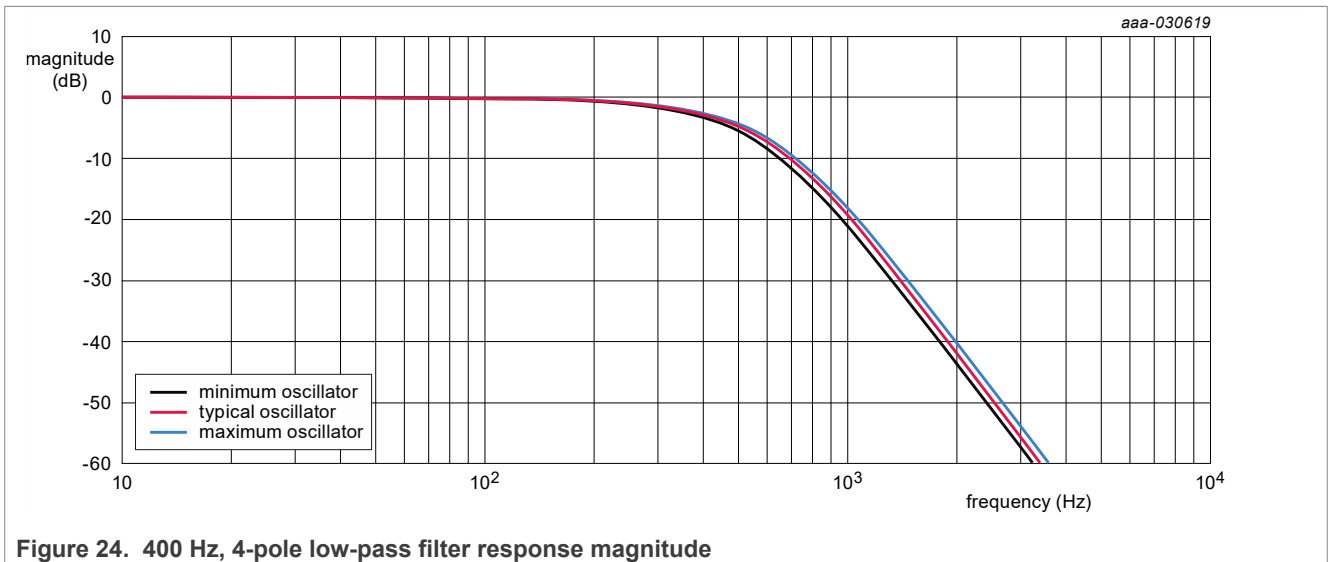
Filter #	LPF[3:0]	SAMPLERATE[1:0]	Typical -3 dB Frequency (Hz)	Sample time (µs)	Filter order	Group delay (µs)	1000 Hz Attenuation (dB)	Step response Activation to 99 % (ms)	Filter coefficients			
									a <sub>0</sub>	n <sub>11</sub>	d <sub>11</sub>	n <sub>12</sub>
E	1110	00 or 01	120	16	2	1804	-32.8	4.85	a <sub>0</sub>	0.000238952 80210650682		

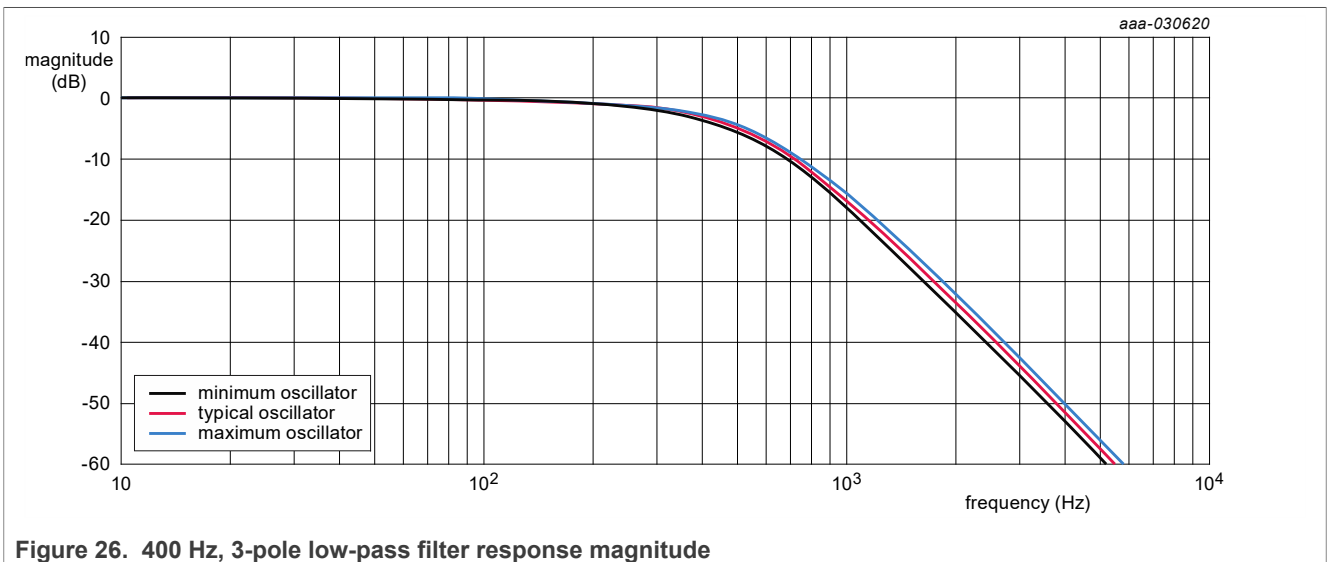
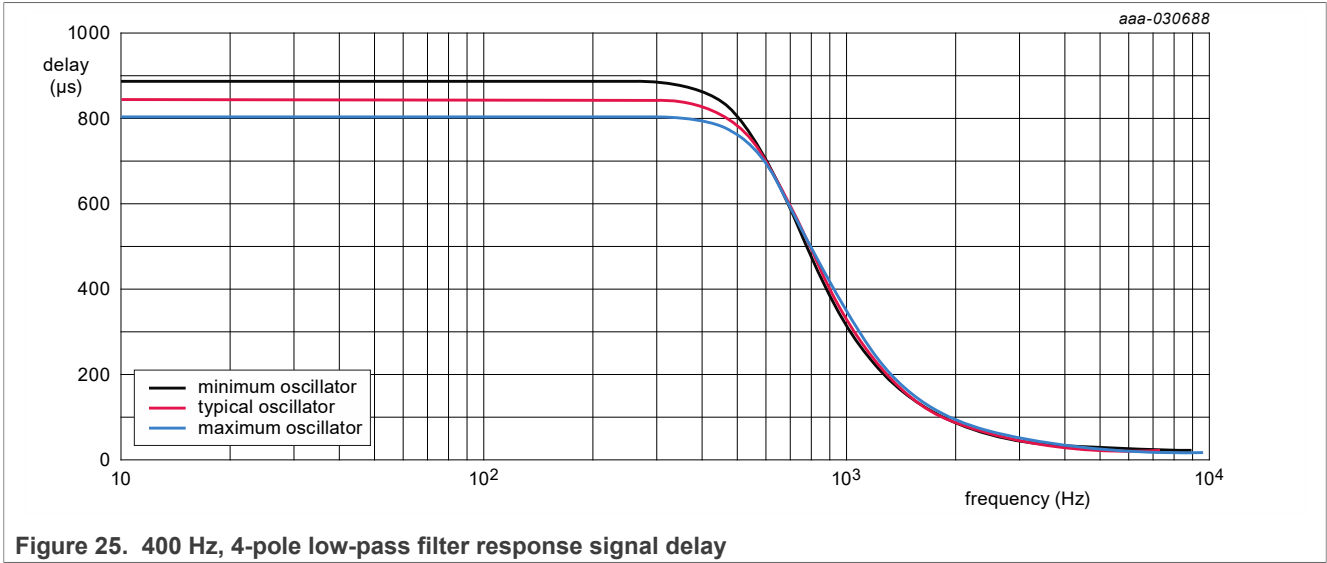
Table 214. LPF #E...continued

Filter #	LPF[3:0]	SAMPLERATE[1:0]	Typical -3 dB Frequency (Hz)	Sample time (µs)	Filter order	Group delay (µs)	1000 Hz Attenuation (dB)	Step response Activation to 99 % (ms)	Filter coefficients			
									n <sub>11</sub>	d <sub>11</sub>		
	10		60	32		3608	-44.7	9.70	n <sub>11</sub>	0.25	d <sub>11</sub>	1
									n <sub>12</sub>	0.50	d <sub>12</sub>	-1.973166250 13962188007
									n <sub>13</sub>	0.25	d <sub>13</sub>	0.973405202 94172827587
	11		30	64		7216	-57.0	19.4	n <sub>21</sub>	1	d <sub>21</sub>	1
									n <sub>22</sub>	0	d <sub>22</sub>	0
									n <sub>23</sub>	0	d <sub>23</sub>	0

Table 215. LPF #F

Filter #	LPF[3:0]	SAMPLERATE[1:0]	Typical -3 dB Frequency (Hz)	Sample time (µs)	Filter order	Group delay (µs)	1000 Hz Attenuation (dB)	Step response Activation to 99 % (ms)	Filter coefficients										
									a <sub>0</sub>	d <sub>11</sub>									
F	1111	00 or 01	50	16	4	6726	-89.7	12.8	a <sub>0</sub>	0.000051373 22664827693									
									n <sub>11</sub>	0.000015041 24143177110	d <sub>11</sub>	1							
									10	25	32		13,452	-114	25.6	n <sub>12</sub>	0.000032261 11162087577	d <sub>12</sub>	-1.986263192 05697576820
																n <sub>13</sub>	0.000017387 20648386979	d <sub>13</sub>	0.986314565 28362415614
									11	12.5	64		26,904	-138	51.2	n <sub>21</sub>	0.268800639 11477075633	d <sub>21</sub>	1
																n <sub>22</sub>	0.498663181 55607519680	d <sub>22</sub>	-1.989975680 35769623052
n <sub>23</sub>	0.232535878 66496652770	d <sub>23</sub>	0.990040369 88244481510																





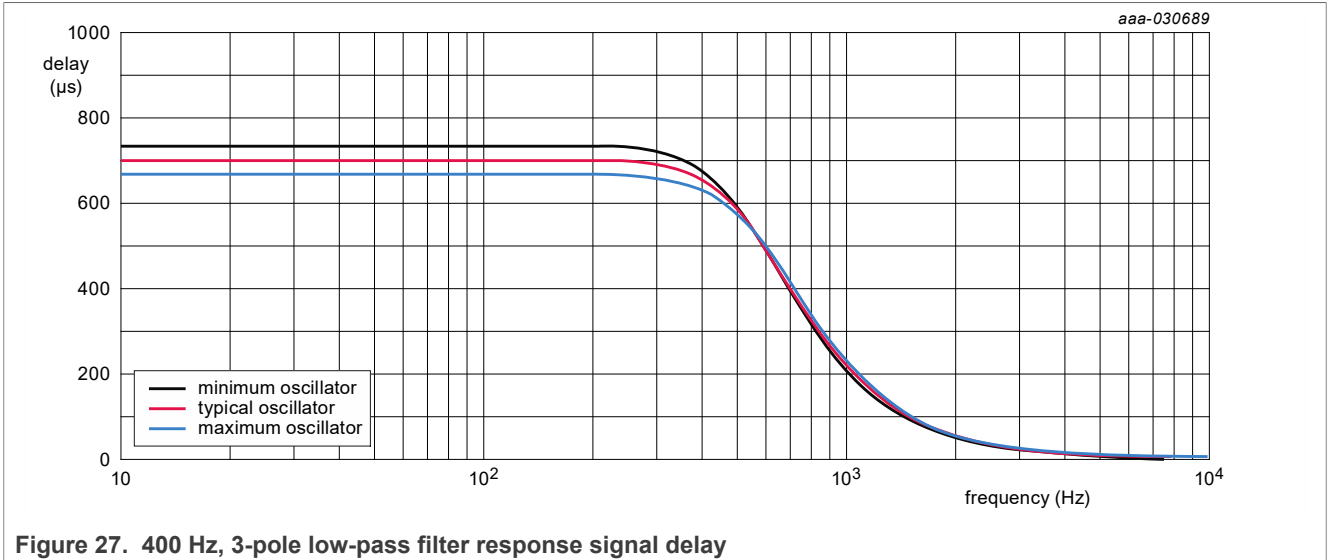


Figure 27. 400 Hz, 3-pole low-pass filter response signal delay

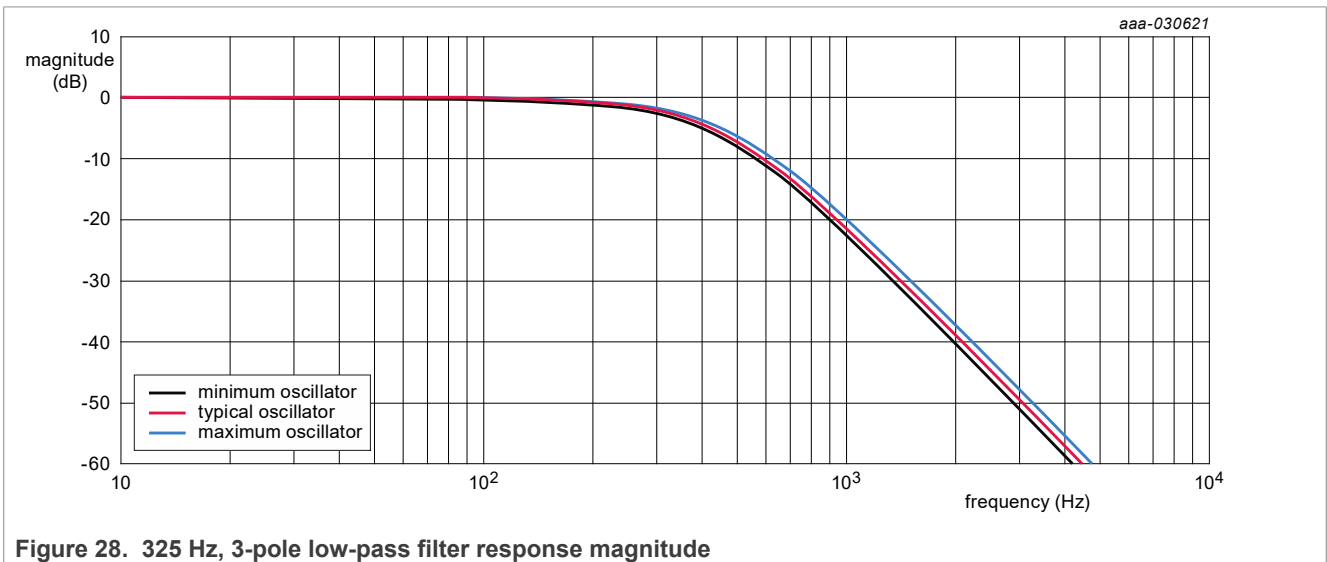
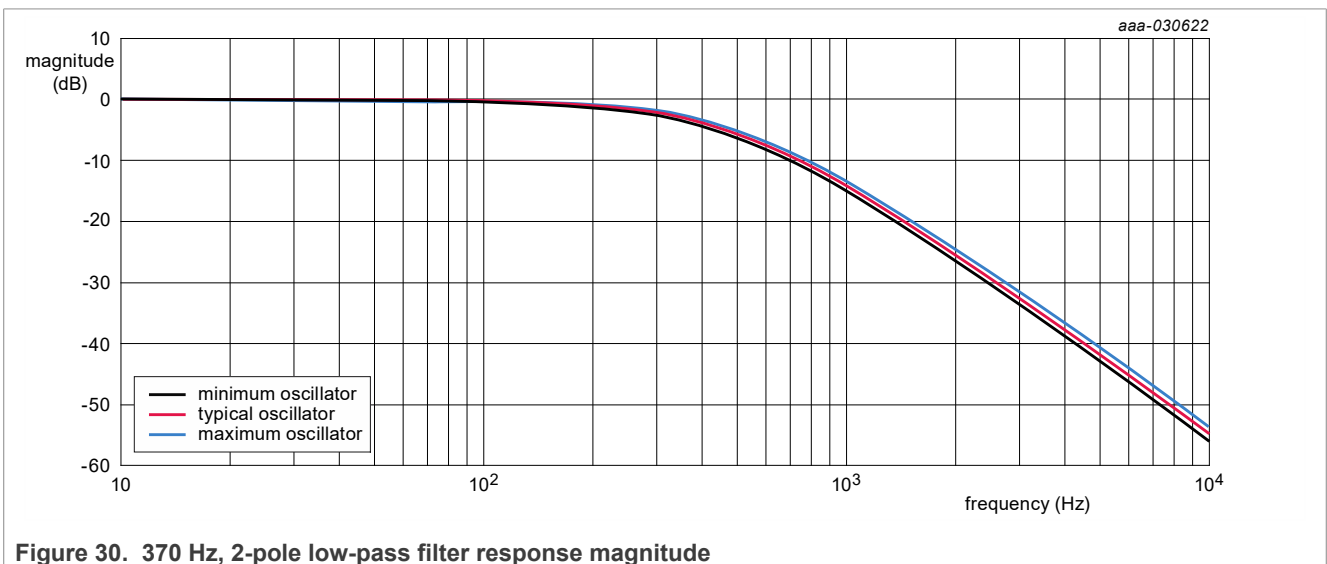
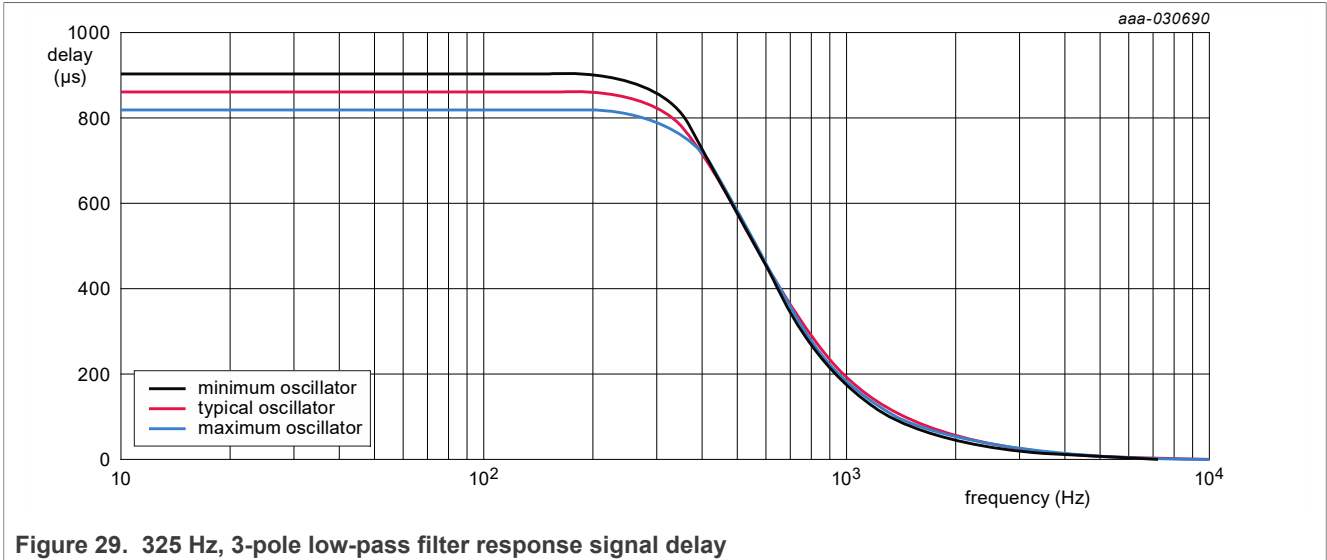
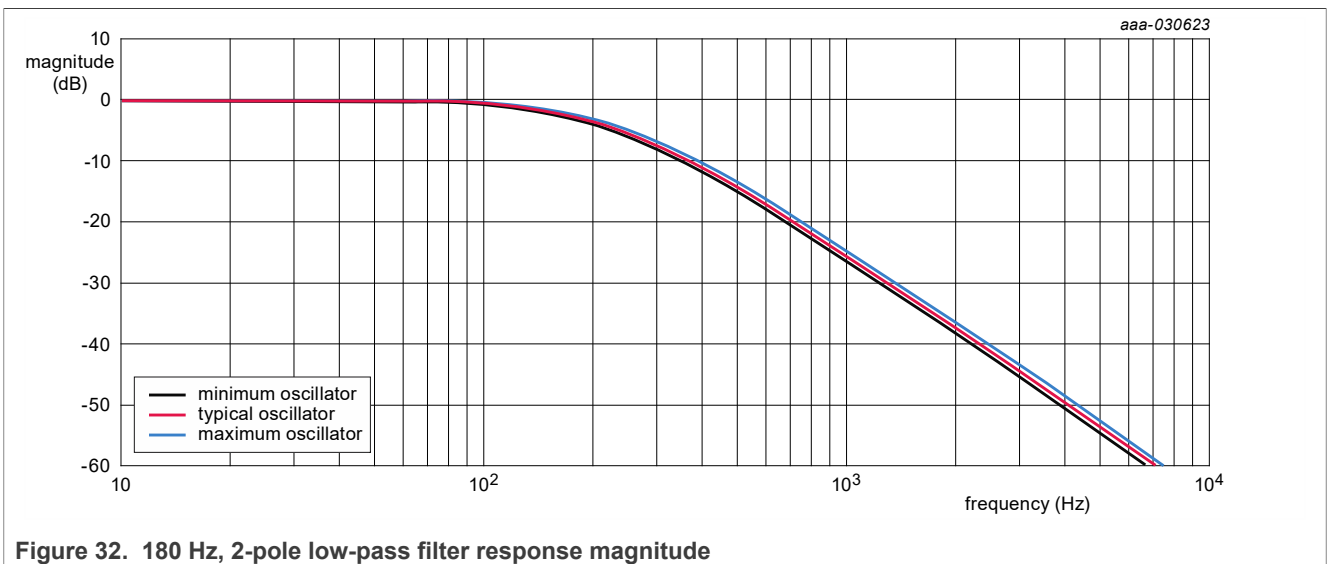
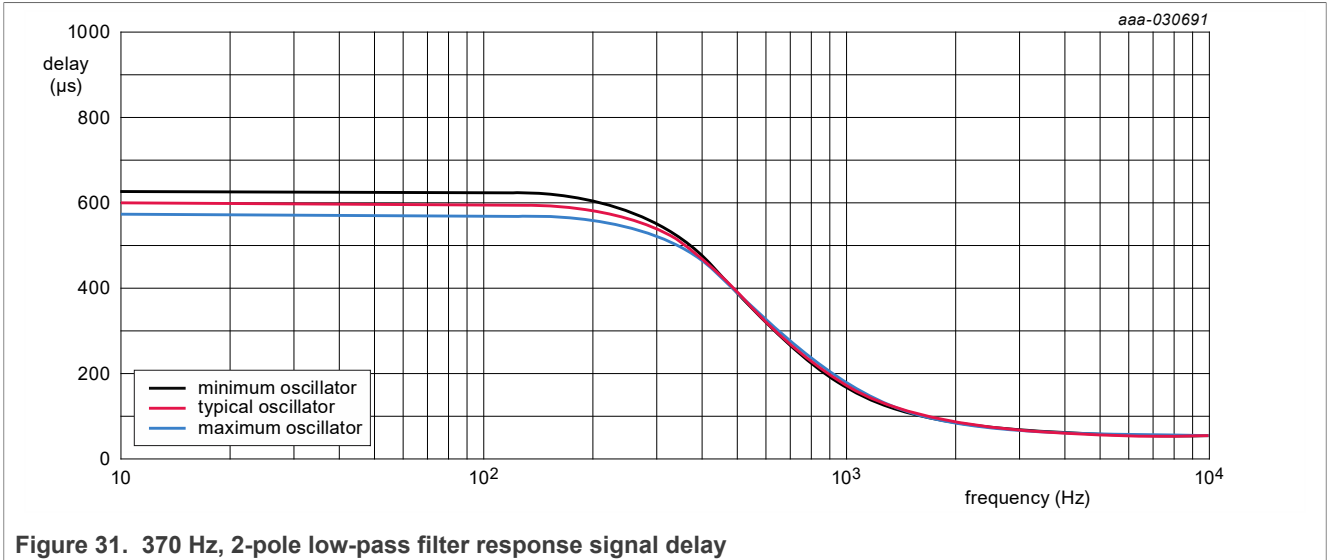


Figure 28. 325 Hz, 3-pole low-pass filter response magnitude







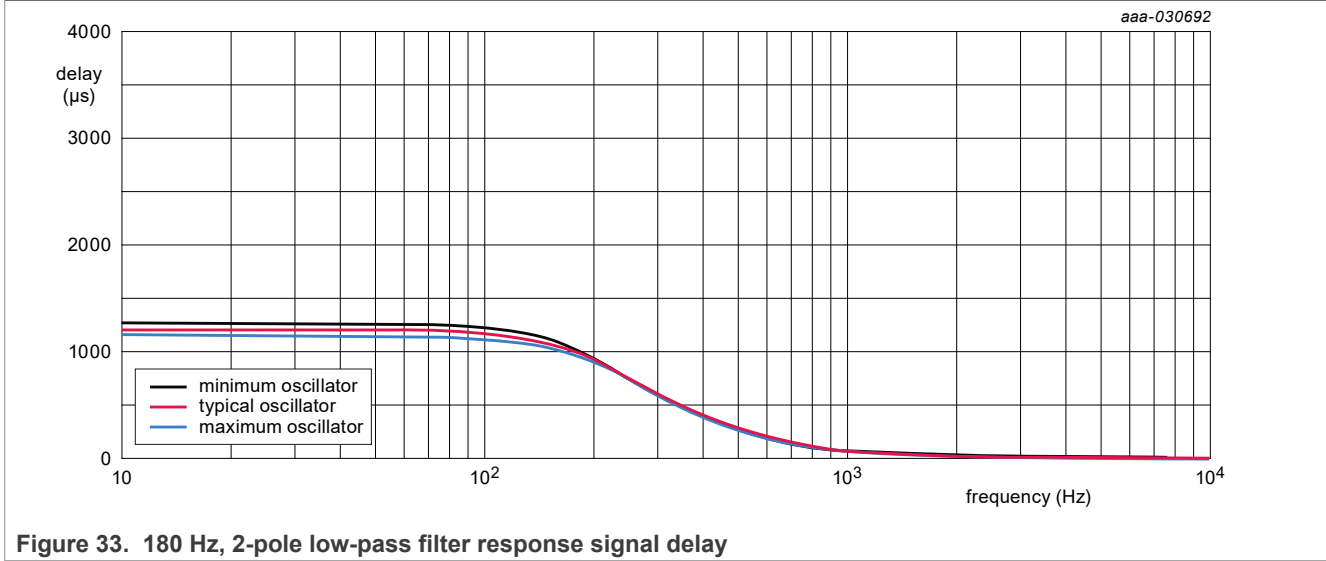


Figure 33. 180 Hz, 2-pole low-pass filter response signal delay

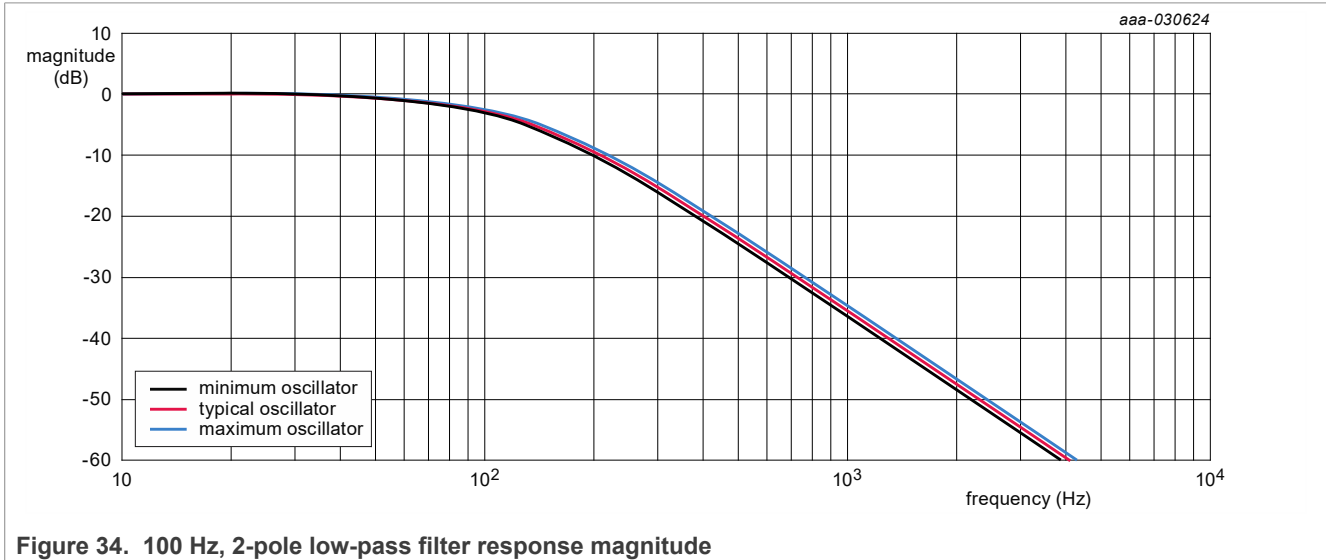
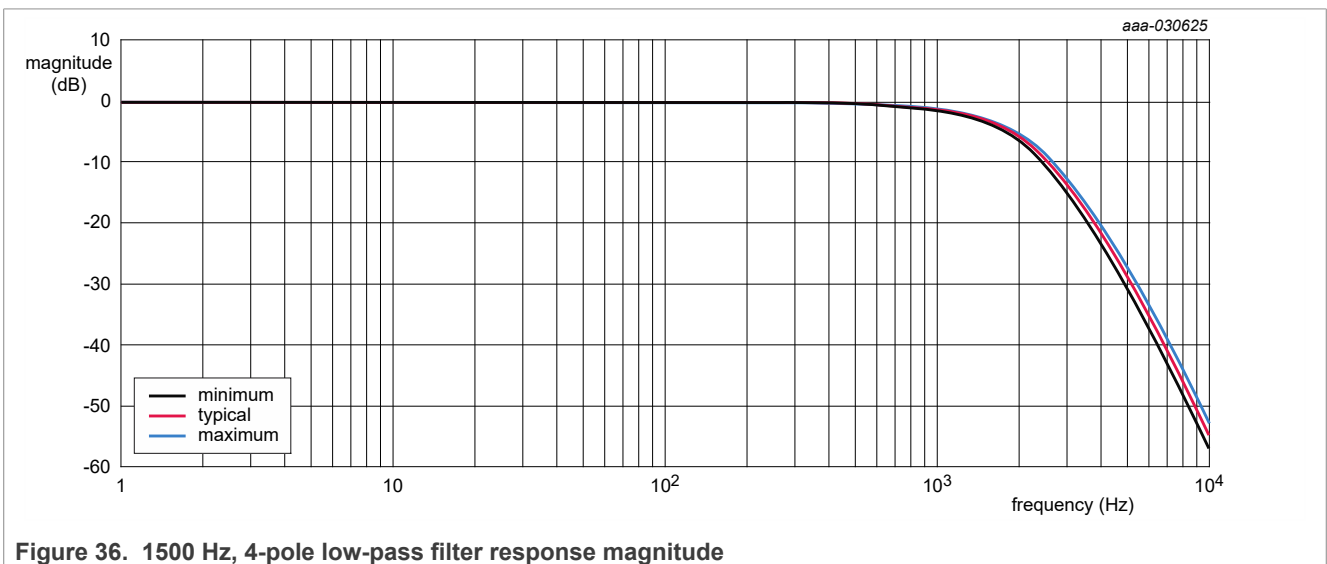
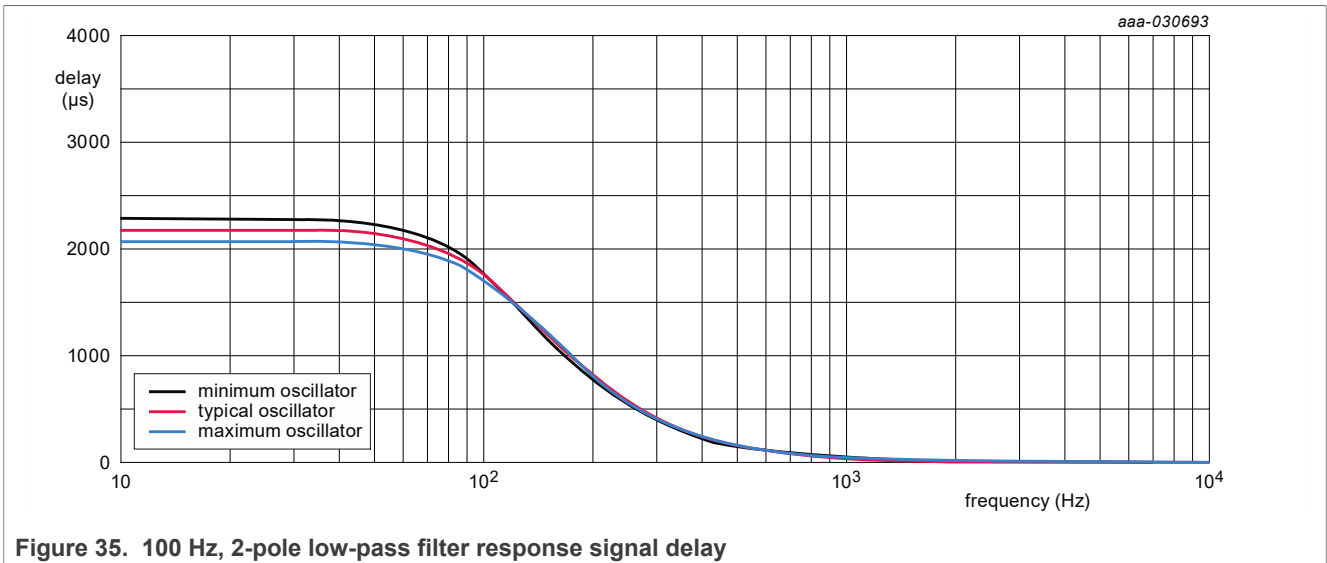
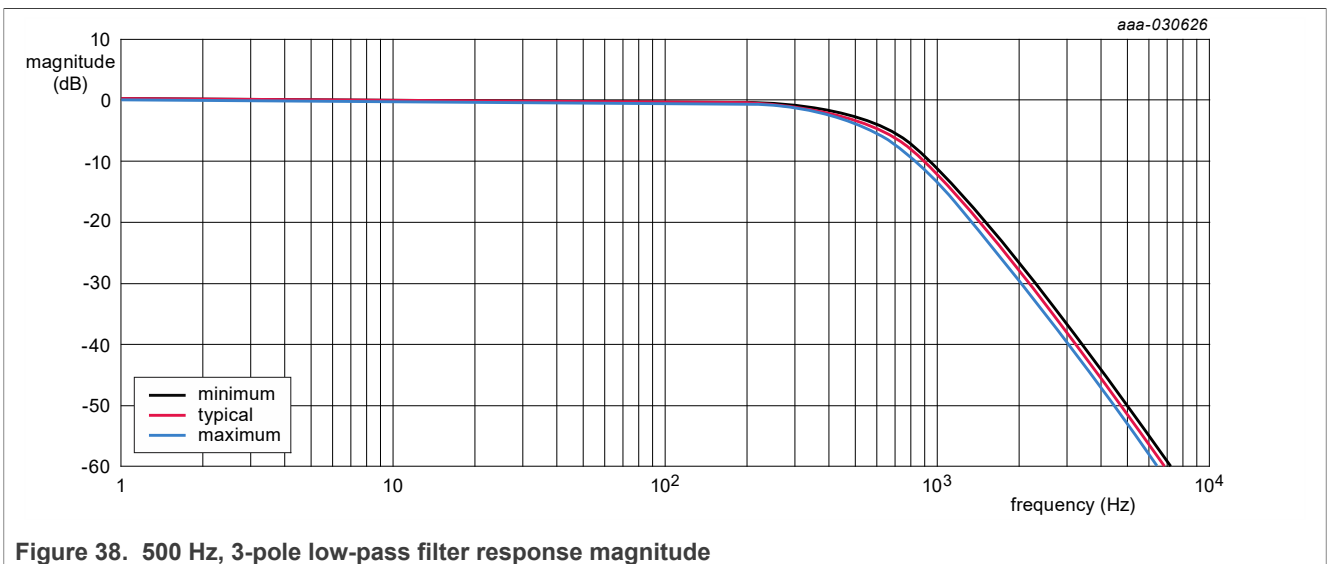
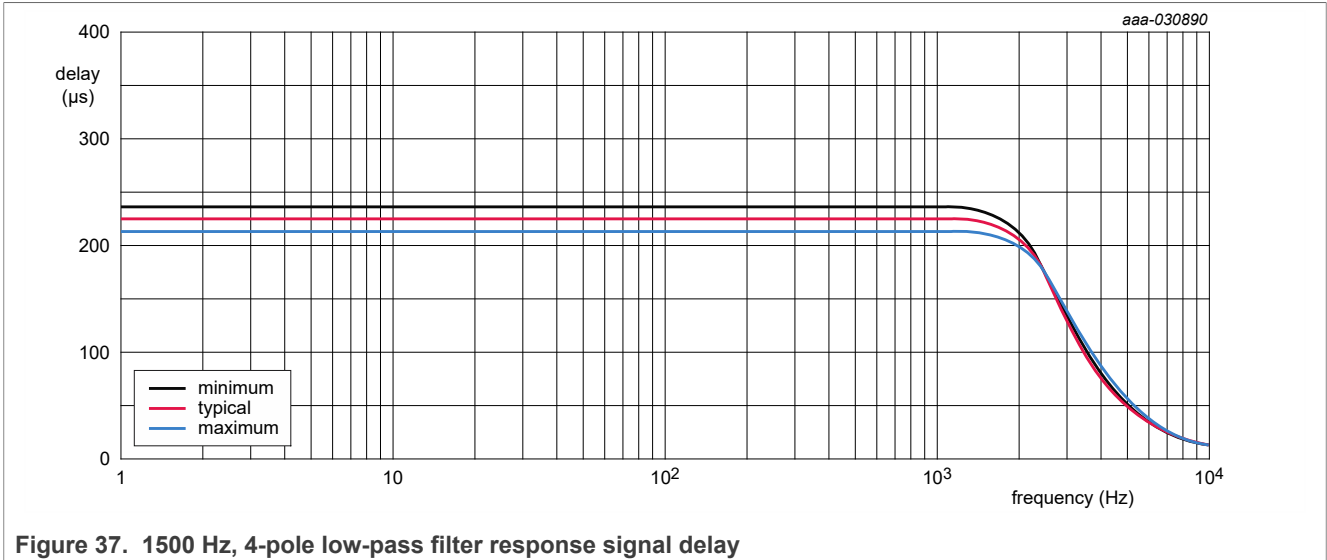
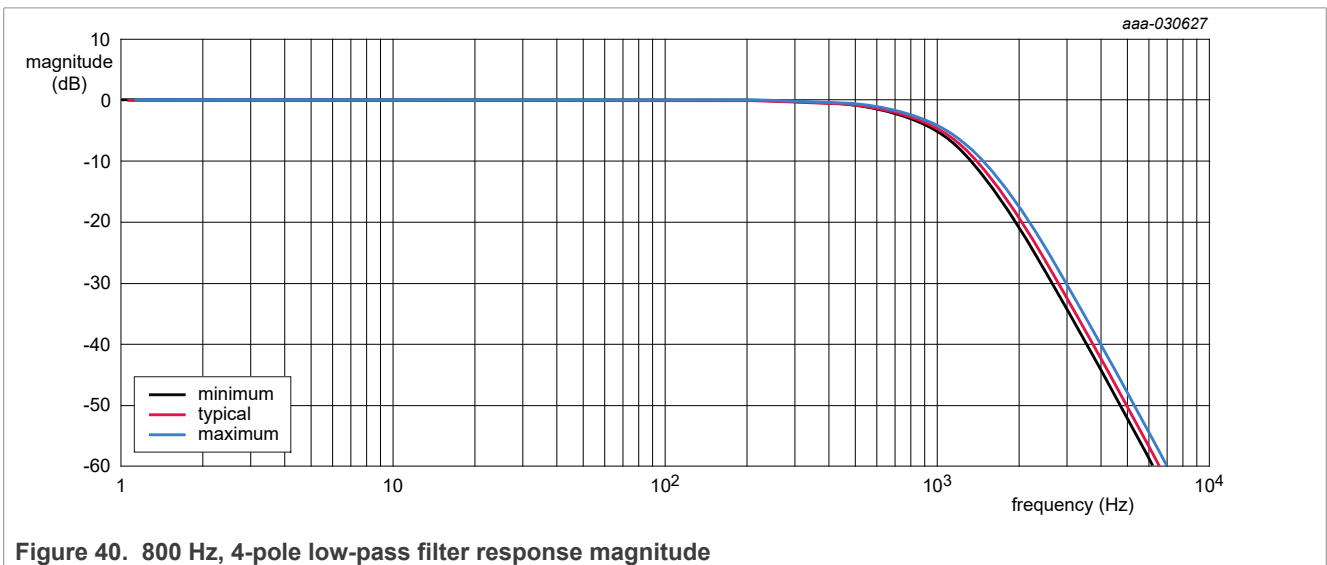
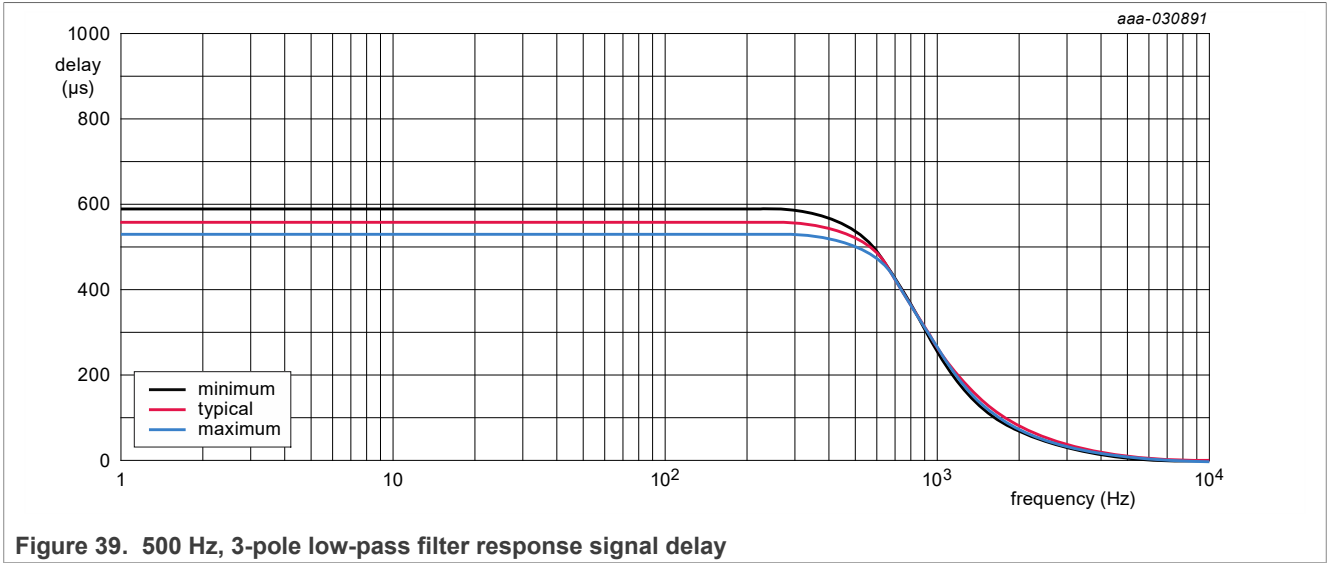
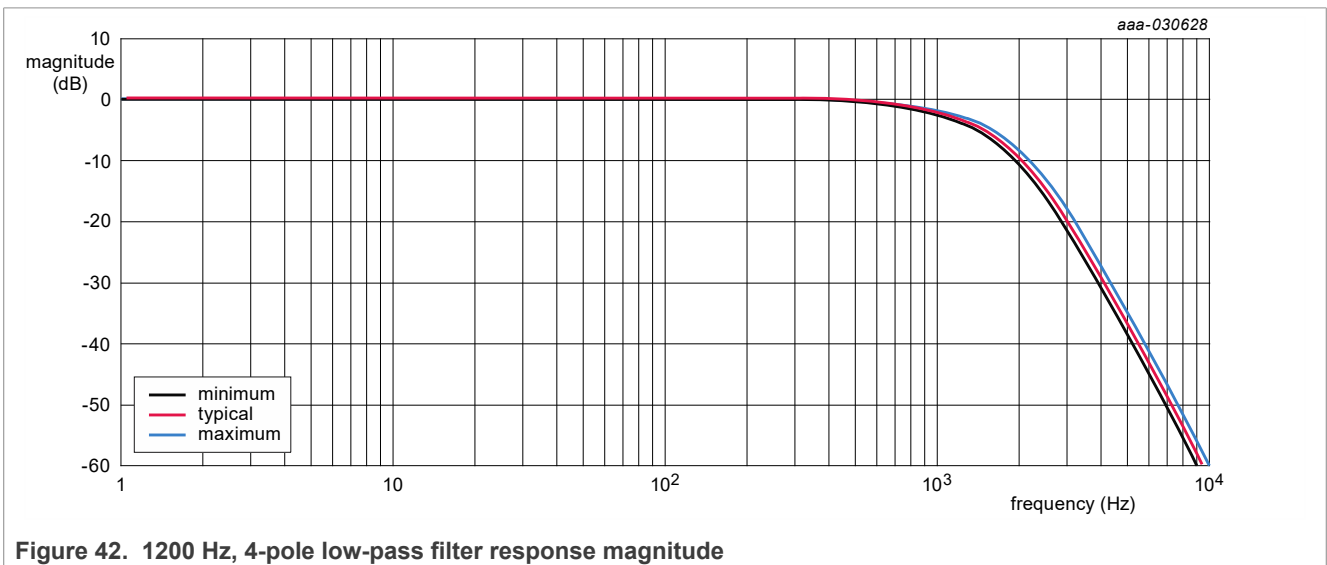
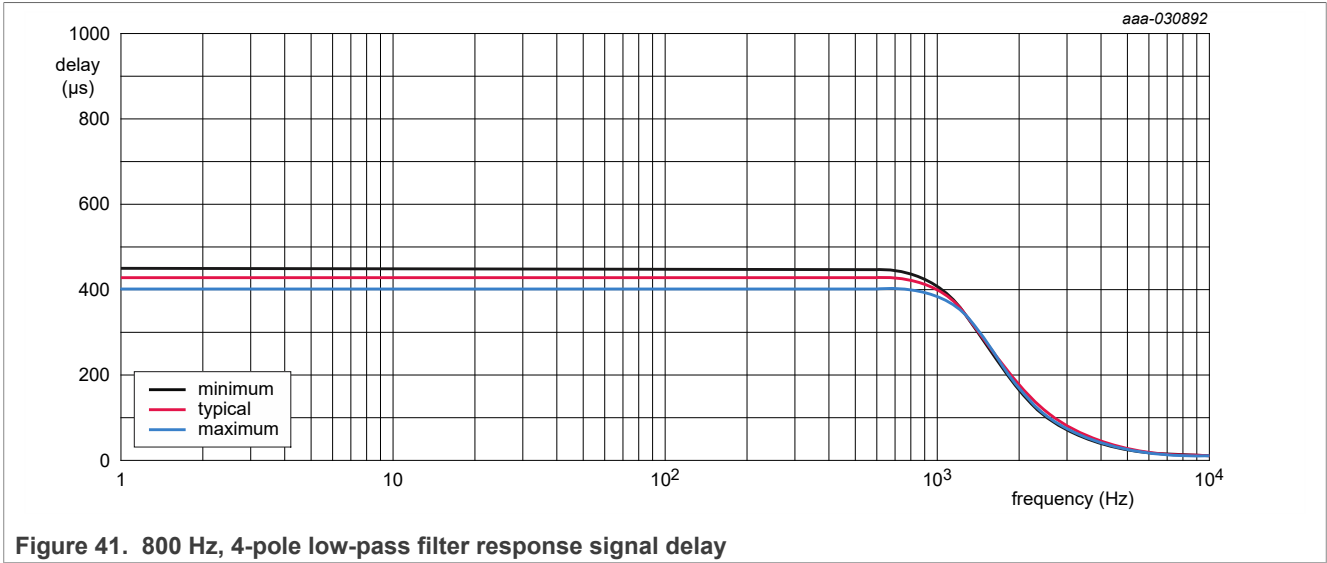


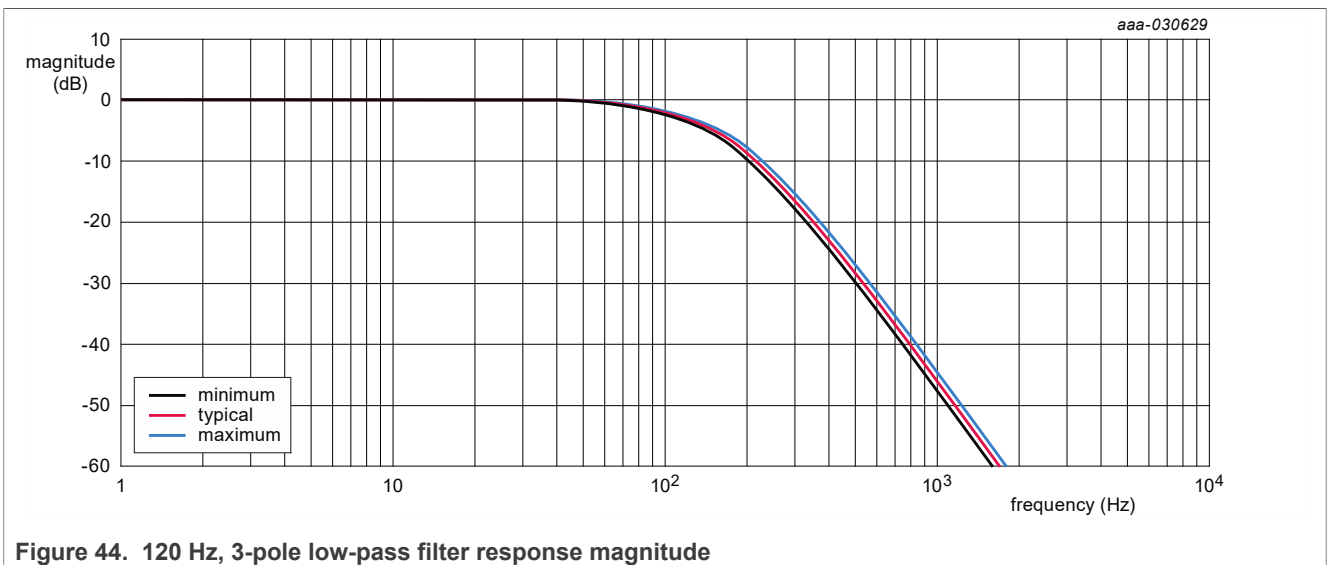
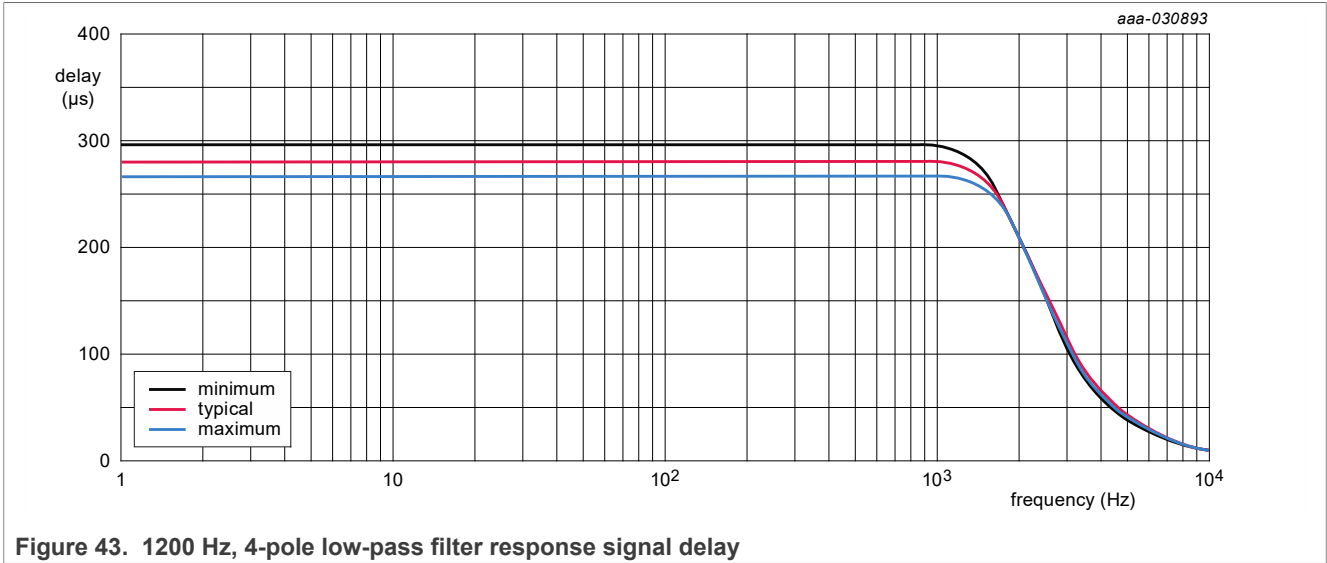
Figure 34. 100 Hz, 2-pole low-pass filter response magnitude











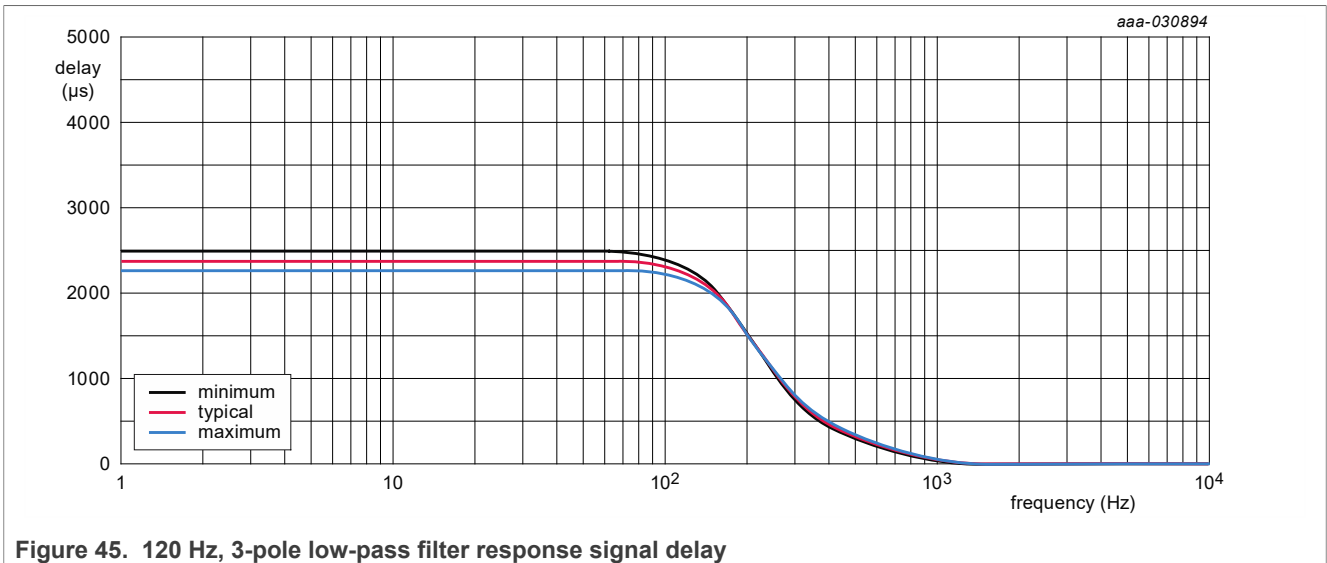


Figure 45. 120 Hz, 3-pole low-pass filter response signal delay

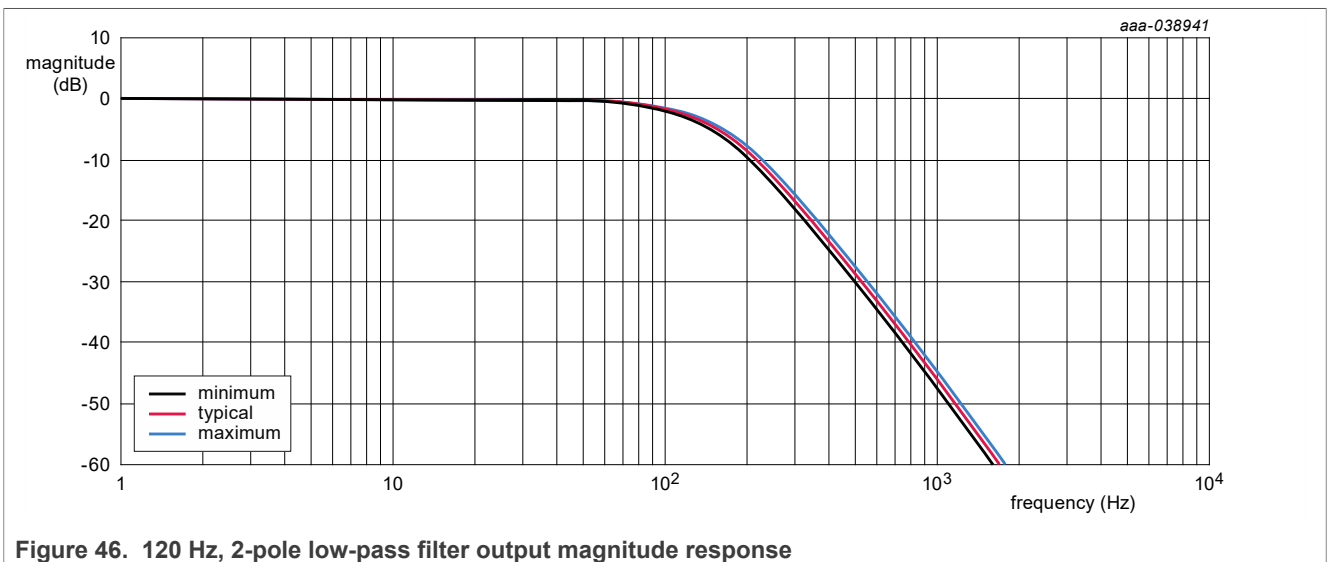


Figure 46. 120 Hz, 2-pole low-pass filter output magnitude response

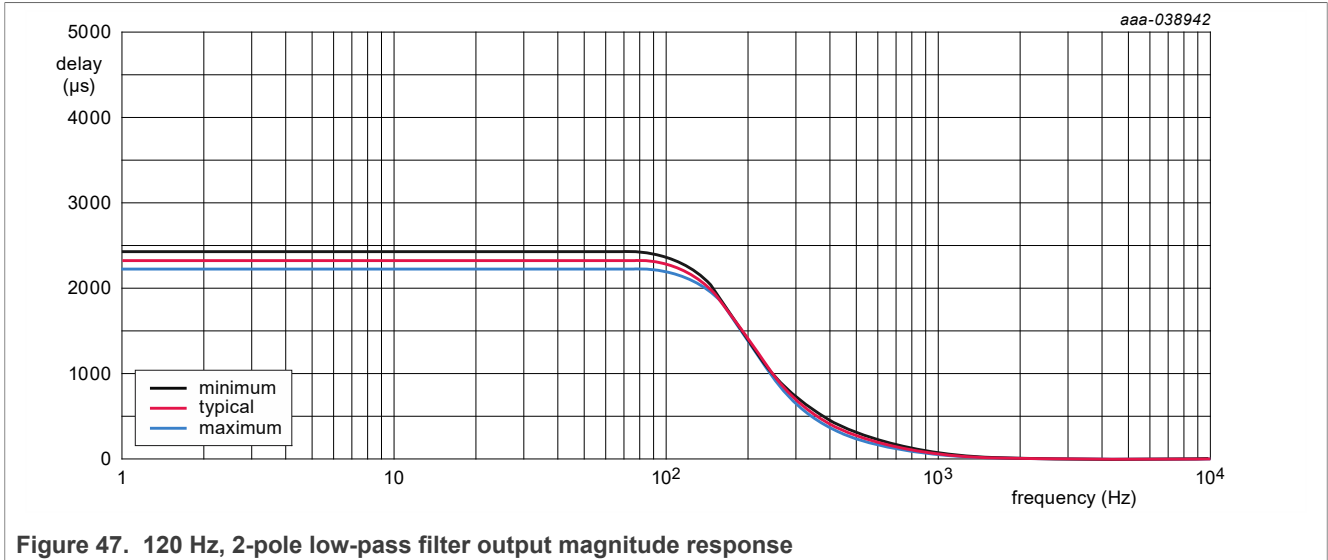


Figure 47. 120 Hz, 2-pole low-pass filter output magnitude response

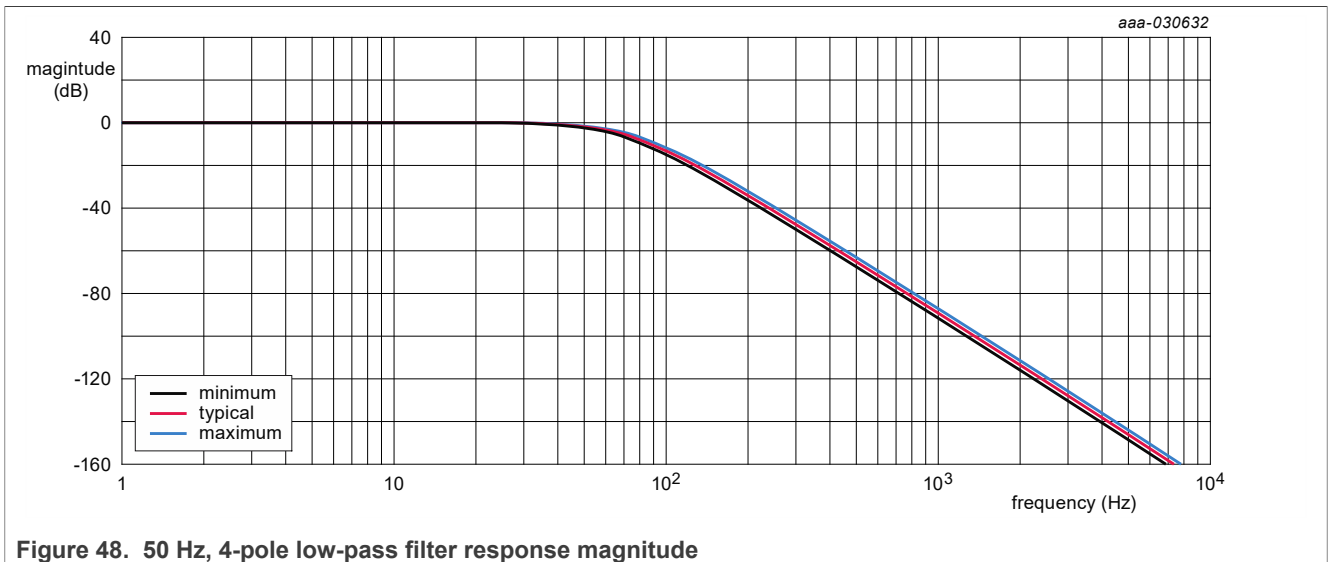
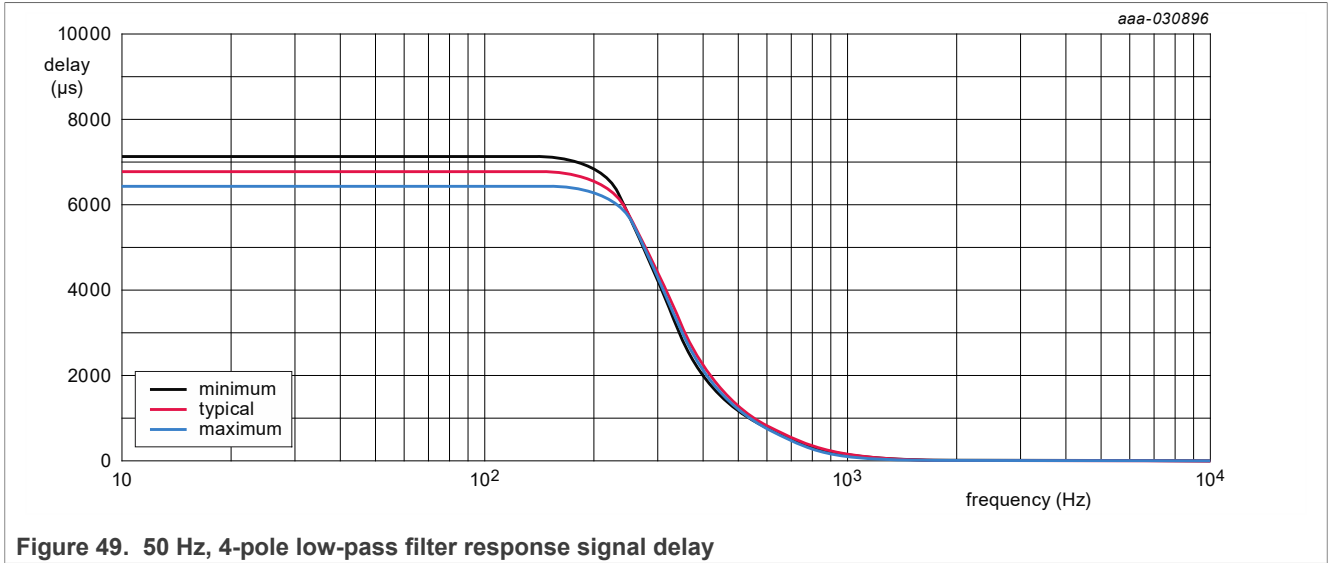


Figure 48. 50 Hz, 4-pole low-pass filter response magnitude



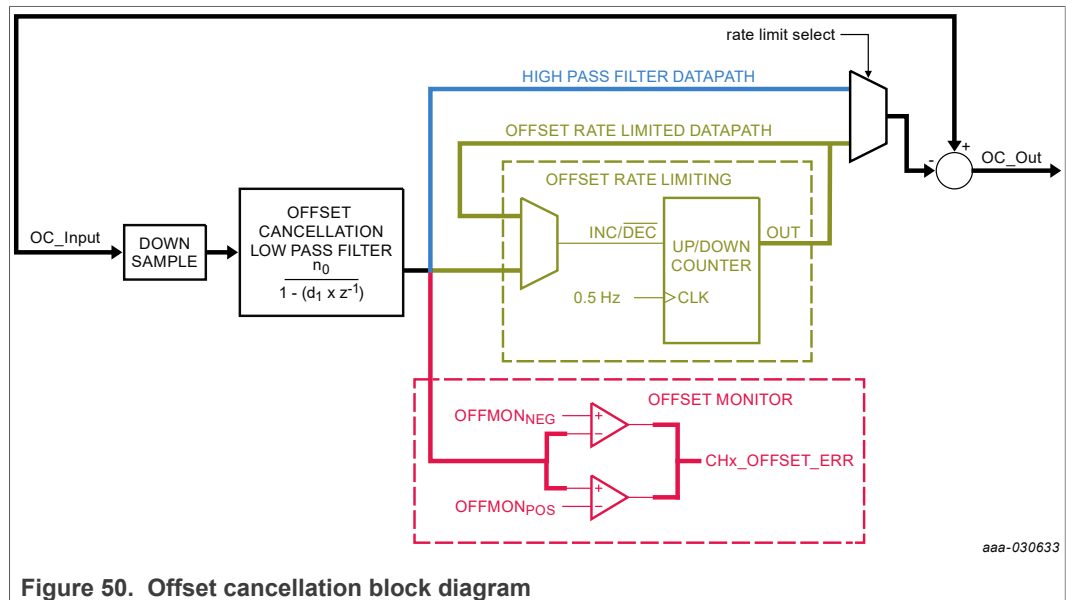


11.6.4.5 User sensitivity scaling

The device includes a user controlled sensitivity scaling as described in [Section 11.2.24.1](#).

11.6.4.6 Offset cancellation

The device provides an optional offset cancellation circuit to remove internal offset error. A simplified block diagram of the offset cancellation is shown in [Figure 50](#).



The transfer function for the offset low-pass filter is:

$$H(z) = a_0 \times \frac{n_0(n_1 z^{-1})}{a_0(d_1 z^{-1})} \tag{11}$$

Response parameters are specified in [Section 10](#) and the offset low-pass filter coefficients are specified in [Table 216](#).

During startup, multiple phases of the offset low-pass filter are used to allow for fast convergence of the internal offset error during initialization. The offset rate limiting is also bypassed regardless of the state of the OC\_FILT bits in the CHx\_CFG\_U4 register. The low-pass filter details and timing for the startup phases is shown in [Table 216](#).

In normal mode, the offset low-pass filter frequency can be selected and output rate limiting can be applied to the output of the offset low-pass filter via the OC\_FILT bits in the CHx\_CFG\_U4 register. Rate limiting can only be enabled if the 0.04 Hz offset LPF is selected. If rate limiting is enabled, the offset cancellation output is updated by OFF<sub>Step</sub> LSB every t<sub>RL\_Rate</sub> seconds.

The offset cancellation circuit output value is frozen when analog or digital self-test is active (ST\_CTRL = 0x8 - 0xF) regard-less of the offset cancellation phase. When analog or digital self-test is deactivated, the offset cancellation output value freeze is extended for 15 ms before continuing updates.

**Table 216. Offset cancellation phases and times: DSI3, SPI, and I<sup>2</sup>C modes**

Offset LPF startup phase	Time from reset to start of phase (ms)	Sample Time (us)	Coefficients (24 bit)				LPF corner frequency (-3 dB) (Hz)	Time constant (τ) (ms)	Rate limiting
0	0	256	a0	0.234051465988159			163.8	0.9714	Bypassed
			n0	0.49999988079071	n1	0.49999988079071			
			d0	1.0	d1	-0.765948414802551			
1	4.096	256	a0	0.063805103302002			40.96	3.886	Bypassed
			n0	0.49999988079071	n1	0.49999988079071			
			d0	1.0	d1	-0.936194777488708			
2	8.192	256	a0	0.0163367986679077			10.24	15.54	Bypassed
			n0	0.49999988079071	n1	0.49999988079071			
			d0	1.0	d1	-0.983663082122802			
3	24.58	256	a0	0.00410926342010498			2.560	62.17	Bypassed
			n0	0.49999988079071	n1	0.49999988079071			
			d0	1.0	d1	-0.995890617370605			
4	90.11	256	a0	0.00102889537811279			0.6400	248.7	Bypassed
			n0	0.49999988079071	n1	0.49999988079071			
			d0	1.0	d1	-0.998970985412597			
5	352.3	256	a0	0.000257253646850586			0.1600	994.7	Bypassed
			n0	0.49999988079071	n1	0.49999988079071			
			d0	1.0	d1	-0.999742627143859			
6a	1401	256	a0	0.0000643377478321934			0.0400	3979	Controlled by OC_FILT[1:0]
			n0	0.49999988079071	n1	0.49999988079071			
			d0	1.0	d1	-0.9999356623			
6b	1401	1024	a1	0.000032169 39131789331			0.005	32000	Bypassed
			n10	0.5	n11	0.5			
			d10	1	d11	-0.999967830 25562763214			
Self-test Active	Output Frozen								

Table 217. Offset cancellation phases and times: PSI5 modes

Offset LPF startup phase	Time from reset to start of phase (ms)	LPF corner frequency (-3 dB) (Hz)	Time constant ( $\tau$ ) (ms)	Rate limiting
0	0	163.8	0.9714	Bypassed
1	4.096	40.96	3.886	Bypassed
2	8.192	10.24	15.54	Bypassed
3	24.58	2.560	62.17	Bypassed
4	90.11	0.6400	248.7	Bypassed
6a	End of Initialization Phase 3	0.0400	3979	Controlled by OC_FILT[1:0]
6b	End of Initialization Phase 3	0.005	32000	Bypassed

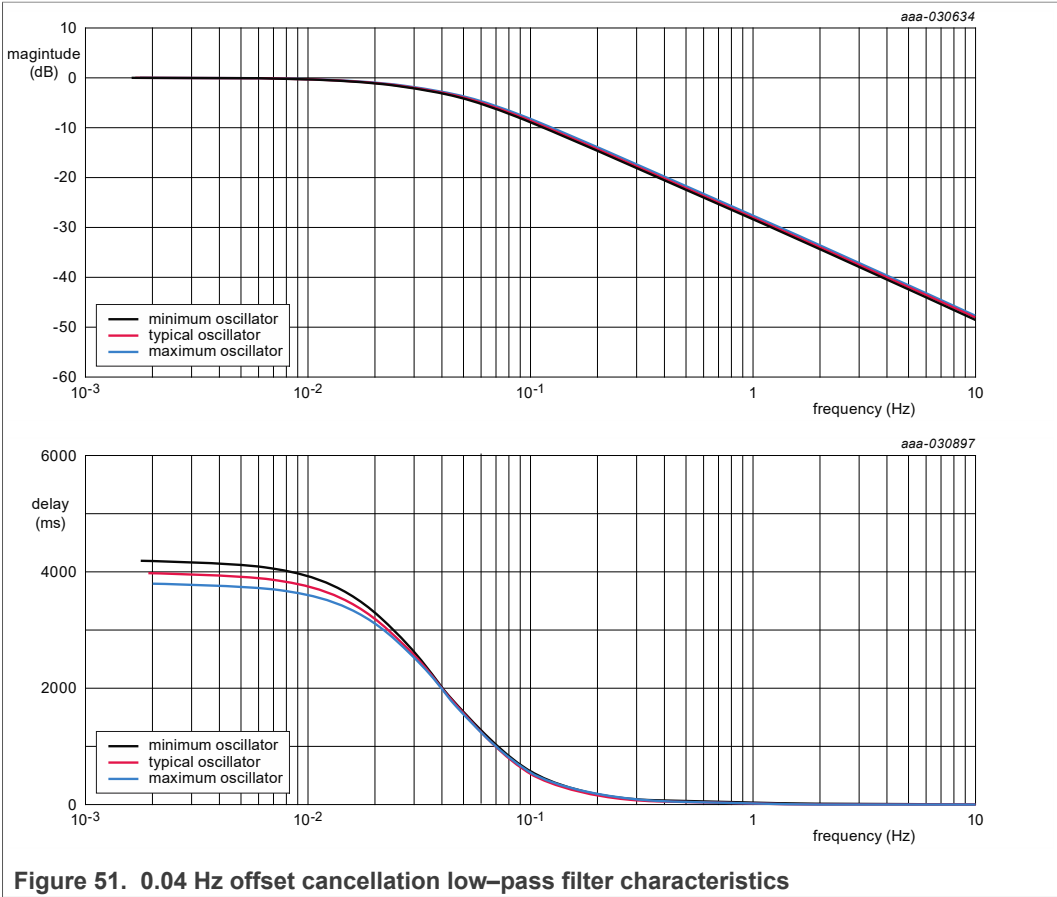


Figure 51. 0.04 Hz offset cancellation low-pass filter characteristics

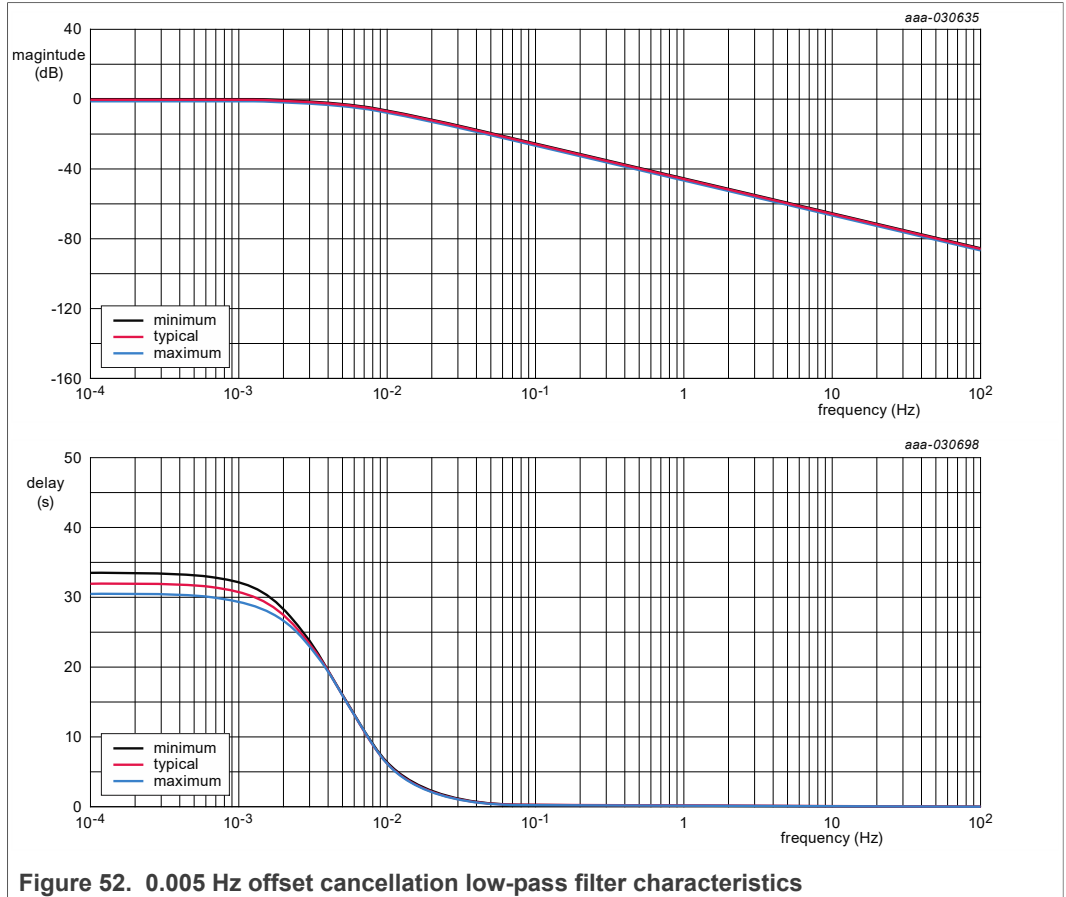


Figure 52. 0.005 Hz offset cancellation low-pass filter characteristics

11.6.4.7 Moving average

The device includes an optional moving average function. See [Section 11.2.25.4](#) for details regarding the moving average function. If the moving average function is enabled, interpolation is disabled.

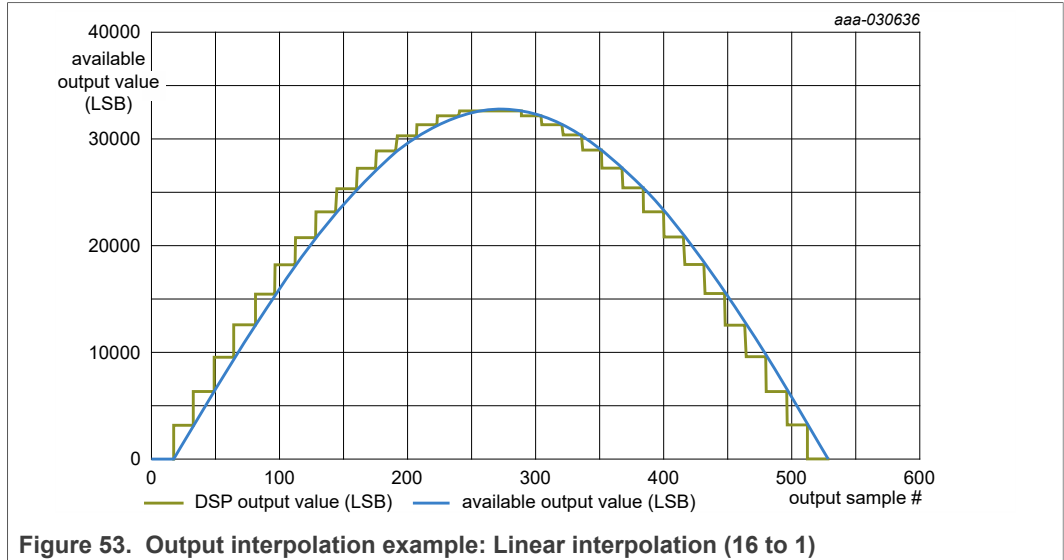
11.6.4.8 Data interpolation

The device includes 16 to 1 linear data interpolation to minimize the system sample jitter. Each result produced by the digital signal processing chain is delayed one sample time. Transmitted data is interpolated from the 2 previous samples, resulting in a latency of one sample time, and a maximum signal jitter of 1/16 of the sample time. The device uses the following functions for calculating the interpolation:

$$DataInterpOut_i = DataInterpOut_{i-1} + \frac{DSPOut_{Current} - DataInterpOut_{i-1}}{16 - (i-1)} \tag{12}$$

$$DataInterpOut_0 = DSPOut_{Previous} \tag{13}$$

An example of the output interpolation is shown in [Figure 53](#).



11.6.4.9 Output scaling

Table 218 shows the output scaling for each output data type and protocol.

Table 218. Output scaling

Data Type	PCM	SPI	DSI	PSi5	I <sup>2</sup> C	D23	D22	D21	D20	D19	D18	D17	D16	D15	D14	D13	D12	D11	D10	D9	D8	D7	D6	D5	D4	D3	D2	D1	D0	
16-bit Register Read		x	x	x	x																									
16-bit			x																											
16-bit		x		x																										
12-bit			x																											
10-bit	x			x	x																									
CHx_U_OFFSET	x	x	x	x	x																									
	Readable Data																													
	Noise Bits																													
	Clipped Bits																													

Equation 14 is used to convert sensor data readings to acceleration using the variables specified in Table 219.

**Note:** The values listed apply for a user gain of 1x (U\_SNS\_SHIFT = '10' and U\_SNS\_MULT = 0x00).

$$Acceleration_g = \frac{SensorData_{LSB} - SensorDataOFF_{LSB}}{SENSE_{ACCEL}} \tag{14}$$

Where:

- Acceleration<sub>g</sub> = The acceleration output in g
- SensorData<sub>LSB</sub> = The acceleration output in LSB
- SensorDataOFF<sub>LSB</sub> = The acceleration output value at 0 g in LSB
- SENSE<sub>ACCEL</sub> = The expected sensitivity in LSB/g

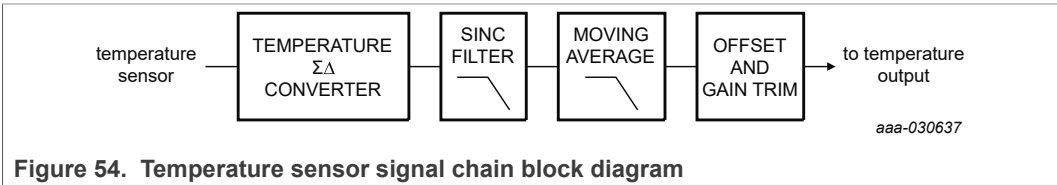
**Table 219. Sensor data variables**

g Range type	Data reading	Typical <i>SensorData</i> <sub>OFF_LSB</sub> (LSB)	<i>SENSE</i> <sub>ACCEL</sub> (LSB/g)	Minimum sensor data value (Signed LSB)	Maximum sensor data value (Signed LSB)
Medium g	16-bit Register Read	0	66.0322	0x8000 (-32768)	0x7FFF (+32767)
	16-bit DSI3 PDCM Sensor Data	0	66.0322	0x8001 (-32767)	0x7FFF (+32767)
	16-bit SPI Sensor Data	0	528.258	0x8010 (-32752)	0x7FFF (+32767)
	16-bit PSI5 Sensor Data	0	528.258	0x8800 (-30720)	0x7800 (+30720)
	12-bit DSI3 PDCM Sensor Data	0	33.0161	0x801 (-2047)	0x7FF (+2047)
	12-bit SPI Sensor Data	0	33.0161	0x801 (-2047)	0x7FF (+2047)
	10-bit DSI3 PDCM Sensor Data	0	8.25403	0x201 (-511)	0x1FF (+511)
	10-bit PSI5 Sensor Data	0	8.25403	0x220 (-480)	0x1E0 (+480)
High g	16-bit Register Read	0	21.8930	0x8000 (-32768)	0x7FFF (+32767)
	16-bit DSI3 PDCM Sensor Data	0	21.8930	0x8001 (-32767)	0x7FFF (+32767)
	16-bit SPI Sensor Data	0	175.144	0x8010 (-32752)	0x7FFF (+32767)
	16-bit PSI5 Sensor Data	0	175.144	0x8800 (-30720)	0x7800 (+30720)
	12-bit DSI3 PDCM Sensor Data	0	10.9465	0x801 (-2047)	0x7FF (+2047)
	12-bit SPI Sensor Data	0	10.9465	0x801 (-2047)	0x7FF (+2047)
	10-bit DSI3 PDCM Sensor Data	0	2.73663	0x201 (-511)	0x1FF (+511)
	10-bit PSI5 Sensor Data	0	2.73663	0x220 (-480)	0x1E0 (+480)

**11.7 Temperature sensor**

**11.7.1 Temperature sensor signal chain**

The device includes an independent temperature sensor for each channel for signal compensation. The output of the channel 0 temperature sensor is provided for user readability. A simplified block diagram is shown in [Figure 54](#). Temperature sensor parameters are specified in [Section 10.5](#) and [Section 10.18](#).



**Figure 54. Temperature sensor signal chain block diagram**

**11.7.2 Temperature sensor output scaling equations**

[Equation 15](#) is used to convert temperature readings with the variables as specified.

$$T_{DEGC} = \frac{T_{LSB} - T_{0LSB}}{T_{SENSE}} \tag{15}$$

Where:

- $T_{DEGC}$  = The temperature output in degrees C
- $T_{LSB}$  = The temperature output in LSB
- $T_{0LSB}$  = The expected temperature output in LSB at 0 C
- $T_{SENSE}$  = The expected temperature sensitivity in LSB/C

Table 220. Temperature sensor output scaling equation variables

Data reading	$T_{0LSB}$ (LSB)	$T_{SENSE}$ (LSB/C)
8-bit Register Read	68	$T_{SENSE}$
16-bit Register Read	17408	$T_{SENSE} * 256$
16-bit DSI3 PDCM Sensor Data	17408	$T_{SENSE} * 256$
16-bit SPI Sensor Data	17408	$T_{SENSE} * 256$
16-bit PSI5 Sensor Data	-1728	$T_{SENSE} * 64$
12-bit DSI3 PDCM Sensor Data	1100	$T_{SENSE} * 16$
12-bit SPI Sensor Data	1100	$T_{SENSE} * 16$
10-bit DSI3 PDCM Sensor Data	276	$T_{SENSE} * 4$
10-bit PSI5 Sensor Data	-27	$T_{SENSE}$

### 11.8 PCM output function

The device provides the option for a PCM output function. The PCM output is enabled if the ARM\_CFG bits in the CHx\_CF-G\_U4 registers are configured for PCM output. Selecting the PCM output enables the following functions:

- The non-interpolated sensor data output as defined in the DATATYPE0 bits in the Chx\_CFG\_U3 register is saturated to 10-bits as shown in [Section 11.6.4.9](#) and converted to an unsigned value.
- The 10-bit sensor value is input into a summer clocked at 10 MHz.
- The carry from the summer circuit is output to the PCM pin.

A block diagram of the PCM output is shown in [Figure 55](#).

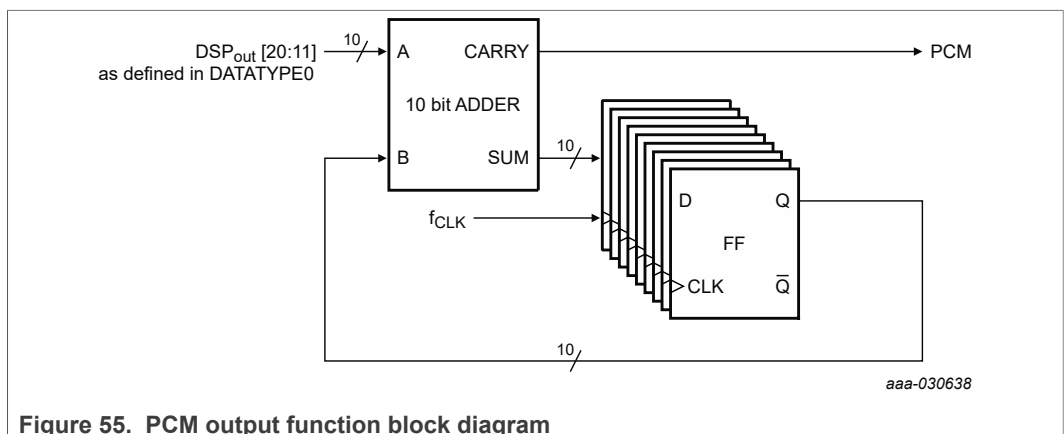


Figure 55. PCM output function block diagram

### 11.9 Arming function

When SPI mode is enabled via the COMMTYPE register, the device provides the option for an arming function with 3 modes of operation. The operation of the arming function is selected by the state of the ARM\_CFG bits in the CHx\_CFG\_U4 registers.

See [Section 14.5](#) for the operation of the Arming function with exception conditions. Error conditions do not impact prior arming function responses. If an error occurs after an arming activation, the corresponding pulse stretch for the existing arming condition will continue. However, new sensor reads will not update the arming function regardless of the sensor value.

#### 11.9.1 Arming function: moving average mode

In moving average mode, the arming function runs a moving average on the offset canceled output of the associated sensor channel DATATYPE0. The number of samples used for the moving average (k) is programmable via the ARM\_WS[1:0] bits in the CHx\_ARM\_CFG registers. See [Section 11.2.28.3](#) for register details.

$$ARM\_MA_n = \frac{(OC_n + OC_{n-1} + \dots + OC_{n+1-k})}{k} \tag{16}$$

Where n is the current sample.

The sample rate for each channel is determined by the rate of the SPI sensor data requests. At the falling edge of SS\_B for a sensor data SPI response for SOURCEID\_0 (channel 0) or SOURCEID\_2 (channel 1), the moving average for the associated channel is updated with a new sample. See [Figure 56](#). The arming function input data rate can be down sampled as described in [Section 11.9.4](#). The SPI sensor data sample rate must meet the minimum time between requests (t<sub>ACC\_REQ\_x</sub>) specified in [Section 10.13](#).

The moving average output is compared against positive and negative thresholds that are individually programmed for each channel via the CHx\_ARMT\_x registers. See [Section 11.2.29](#) for register details. If the moving average equals or exceeds either threshold, an arming condition is indicated, the arming pin output is asserted for the associated channel, and the pulse stretch counter is set as described in [Section 11.9.5](#).

The arming pin output is deasserted only when the pulse stretch counter expires. [Figure 56](#) shows the arming output operation for different SPI conditions.

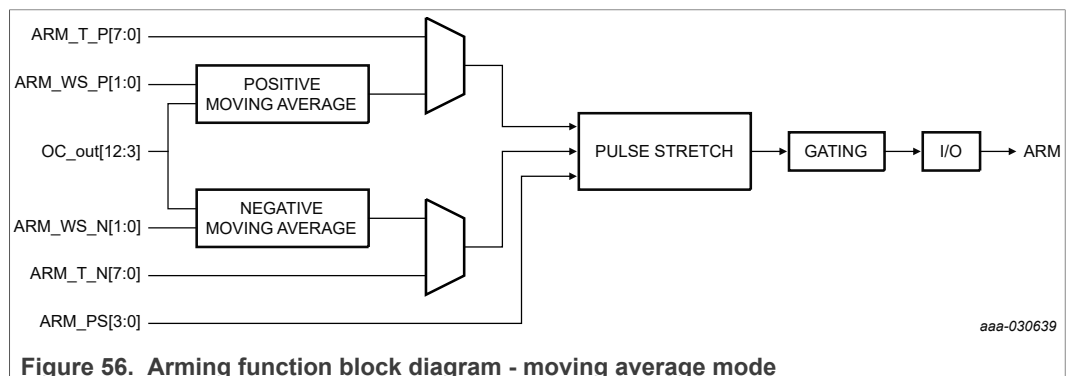


Figure 56. Arming function block diagram - moving average mode



11.9.2 Arming function: count mode

In count mode, the arming function compares each offset canceled sample against positive and negative thresholds that are individually programmed for each channel via the CHx\_ARM\_T\_x\_x and CHx\_ARM\_T\_x\_x registers. See Section 11.2.29 for register details. If the sample equals or exceeds either threshold, a sample counter is incremented. If the sample does not exceed either threshold, the sample counter is reset to zero.

The sample rate for each channel is determined by the SPI sensor data sample rate. At the falling edge of SS\_B for a sensor data SPI response for SOURCEID\_0 (channel 0) or SOURCEID\_2 (channel 1), a new sample for the associated channel is compared against the thresholds. See Figure 57. The arming function input data rate can be down sampled as described in Section 11.9.4. The SPI sensor data sample rate must meet the minimum time between requests (t<sub>ACC\_REQ\_x</sub>) specified in Section 10.13.

A sample count limit is programmable via the ARM\_WS[1:0] bits in the CHx\_ARM\_CFG registers. If the sample count reaches the programmable sample count limit, an arming condition is indicated, the associated arm pin output is asserted, and the pulse stretch counter is set as described in Section 11.9.5.

The associated arm pin output is deasserted only when the pulse stretch counter expires. Figure 58 shows the arming output operation for different SPI conditions.

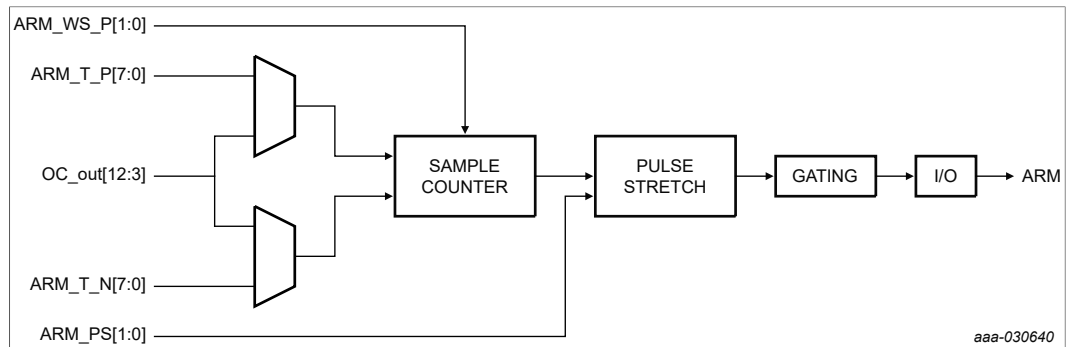


Figure 57. Arming function block diagram - count mode

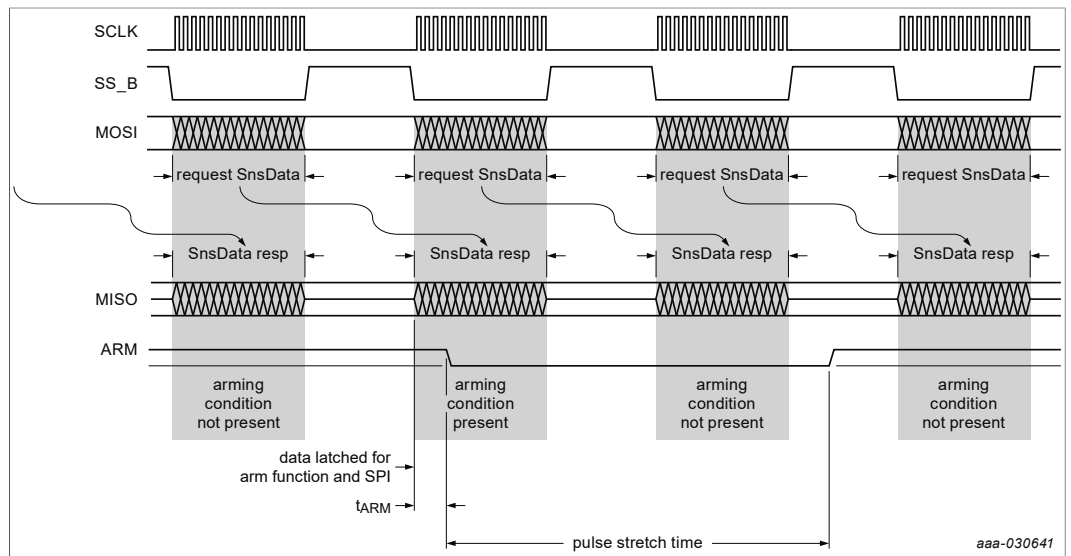


Figure 58. Arming condition, moving average and count mode

### 11.9.3 Arming function: unfiltered mode

At the falling edge of SS\_B for a sensor data SPI response for SOURCEID\_0 (channel 0) or SOURCEID\_2 (channel 1), the most recent available offset canceled sample for the requested channel is compared against positive and negative thresholds that are individually programmed for each channel via the CHx\_ARM\_T\_x and CHx\_ARM\_T\_x registers. See [Section 11.2.29](#) for register details. If the sample equals or exceeds either threshold, an arming condition is indicated.

Once an arming condition is indicated for the associated channel, the arm pin output for that channel is asserted when SS\_B is asserted and the MISO data includes a sensor data response for that channel. The pulse stretch function is not applied in Unfiltered mode.

[Figure 59](#) contains a block diagram of the Arming Function operation in Unfiltered Mode. [Figure 60](#) shows the Arming output operation under the different SPI request conditions.

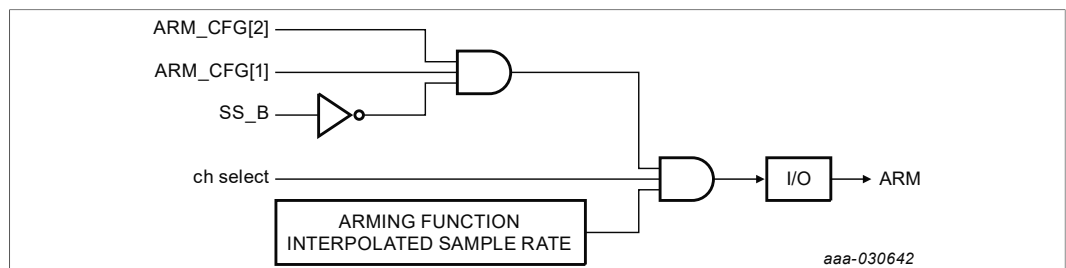


Figure 59. Arming function block diagram - unfiltered mode

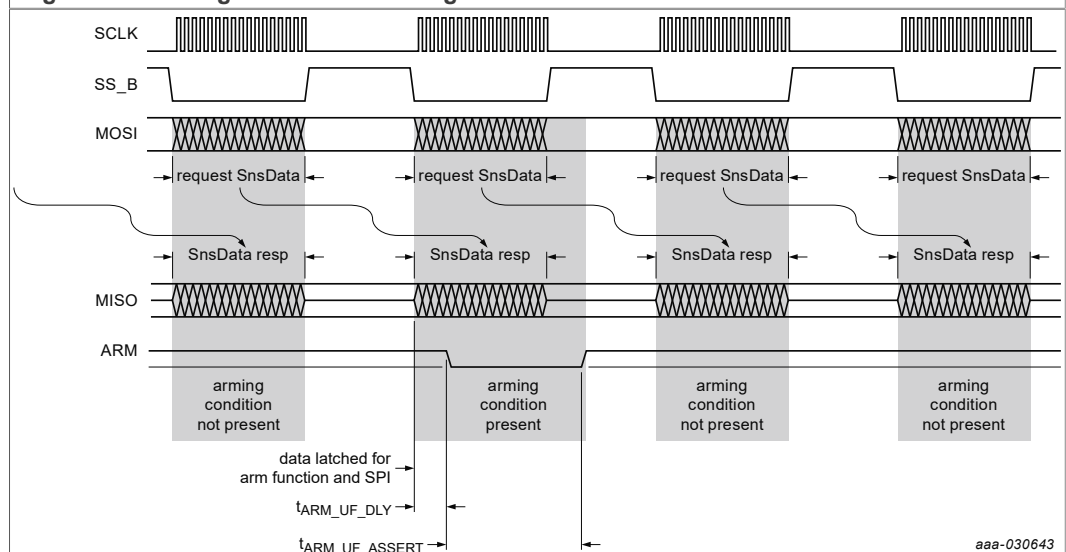


Figure 60. Arming condition, unfiltered mode

### 11.9.4 Arming function down sampling

The data provided to the arming function can be down sampled using the ARM\_DS[1:0] bits in the CHx\_ARM\_CFG registers.

The initial value of the counter is zero. At the falling edge of SS\_B for a sensor data SPI response, if the counter value is equal to '00', the arming function is updated with the new sample as described in [Section 11.9.1](#) or [Section 11.9.2](#). The counter is then

incremented by one. The counter rolls over to '00' after the maximum value specified in the ARM\_DS[1:0] bits is reached.

**11.9.5 Arming pulse stretch function**

A pulse stretch function can be applied to the arming outputs in moving average mode, or count mode.

If the pulse stretch function is not used (ARM\_PS[1:0] = '00'), the arming output is asserted if and only if an arming condition exists for the associated channel after the most recent evaluated sample. The arming output is deasserted if and only if an arming condition does not exist for the associated channel after the most recent evaluated sample.

If the pulse stretch function is used (ARM\_PS[1:0] not equal '00'), the arming output is controlled only by the value of the pulse stretch timer value. If the pulse stretch timer value is non-zero, the arming output is asserted. If the pulse stretch timer is zero, the arming output is deasserted. The pulse stretch counter continuously decrements until it reaches zero. The pulse stretch counter is reset to the programmed pulse stretch value if and only if an arming condition exists for the associated channel after the most recent evaluated sample. See [Figure 58](#).

Exception conditions listed in [Section 14.5](#) do not impact prior arming function responses. If an exception occurs after an arming activation, the corresponding pulse stretch for the existing arming condition will continue. However, new sensor reads will not reset the pulse stretch counter regardless of the sensor value.

**11.9.6 Arming pin output structure**

The arming output pin structure can be set to active high, or active low with the ARM\_CFG bits in the CHx\_CFG\_U4 registers as described in [Section 11.2.26.4](#). The active high and active low pin output structures are shown in [Figure 61](#).

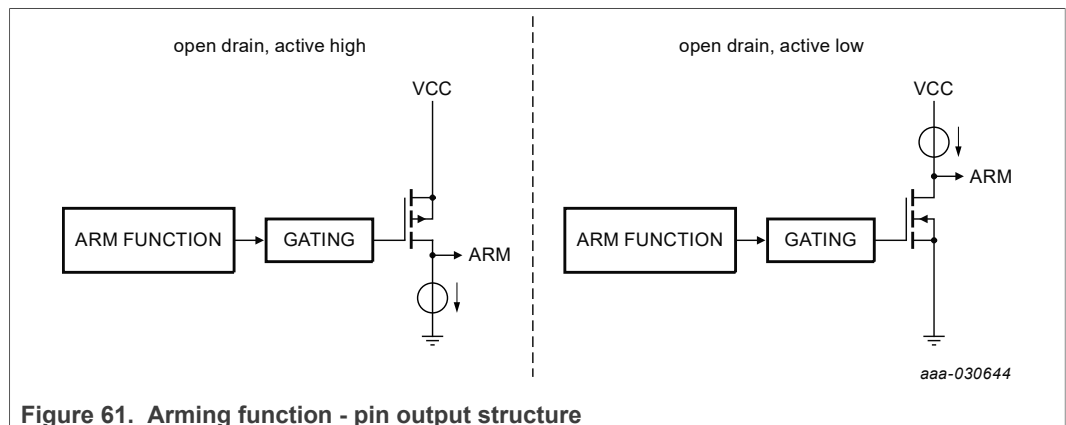


Figure 61. Arming function - pin output structure

**12 DSI3 protocol**

The DSI3<sup>[2]</sup> standard describes two function classes: Signal Function Class and Power Function Class. The device is a slave conforming to the Signal Function Class requirements. The device does not support Power Function Class. The following sections describe the DSI3 Signal Function Class features supported by the device.

## 12.1 DSI3 physical layer

### 12.1.1 Command receiver

The command receive block converts voltage transitions on the BUS\_I pin to a digital pulse train for decoding by the DSI data link layer.

The supply voltage can vary throughout the specified range, so the communication high voltage ( $V_{HIGH}$ ) must be sampled and averaged with a low-pass filter. The communication low voltage is then determined by comparing the supply voltage to the sampled and averaged  $V_{HIGH}$  voltage. [Figure 62](#) shows a block diagram of the command receiver physical layer.

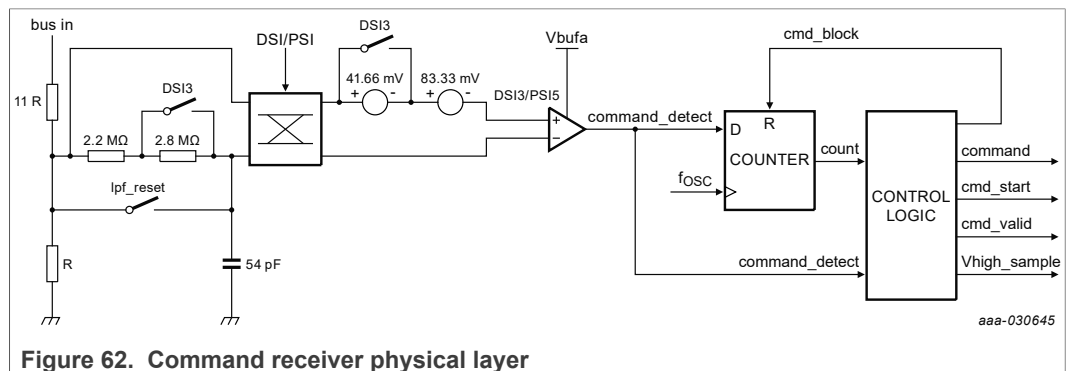


Figure 62. Command receiver physical layer

The start of a command is detected when the comparator output (Command\_Detect) is low. The comparator output is input to a counter that is updated at the internal oscillator frequency. Control logic monitors the counter output and generates the necessary internal signals for the logic.

[Figure 63](#) shows a timing diagram of the command receiver when a valid command is received, and [Figure 64](#) shows a timing diagram of the command receiver when a micro-cut is received during the command window. Voltage values and timing parameters are specified in [Section 10.4](#) and [Section 10.20](#).

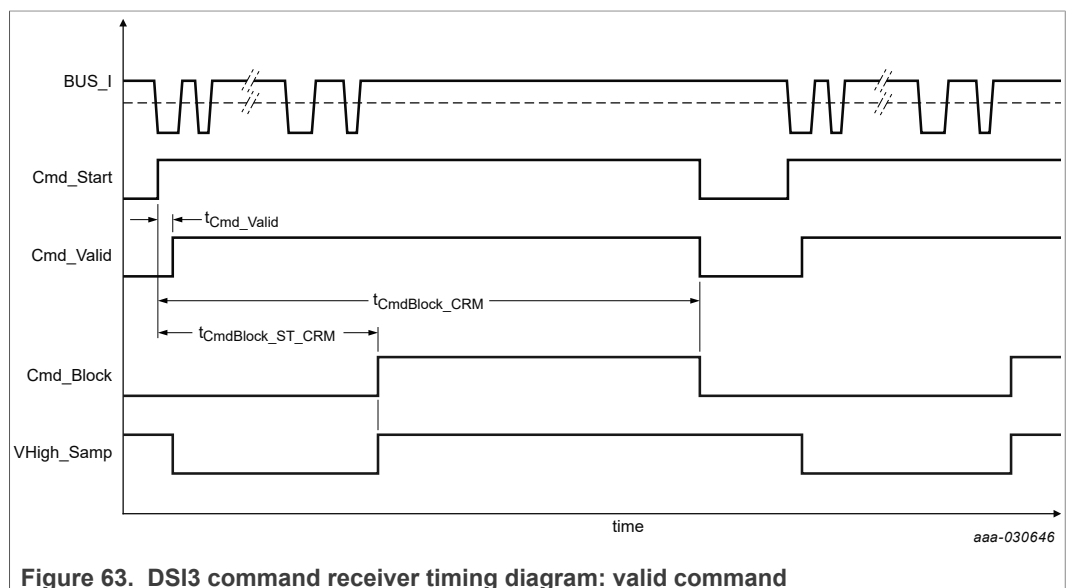


Figure 63. DSI3 command receiver timing diagram: valid command

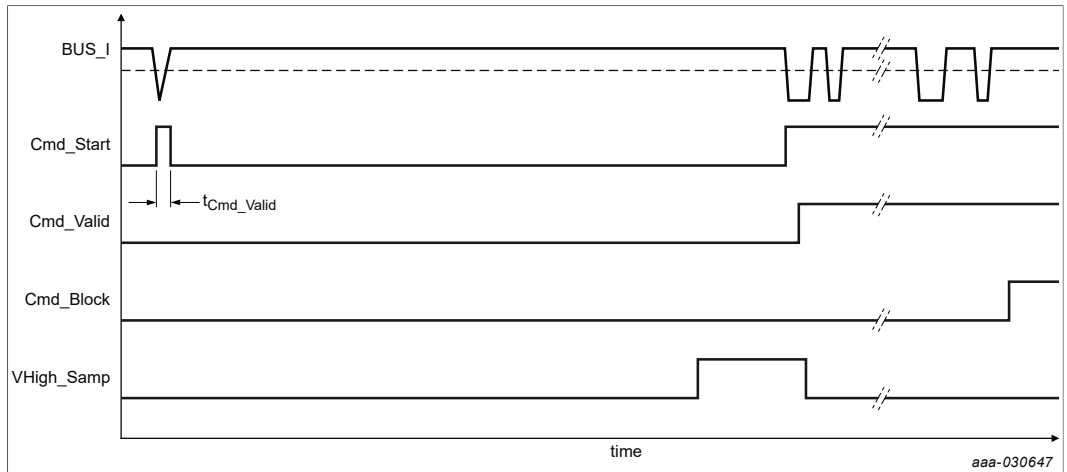


Figure 64. DSI3 command receiver timing diagram: micro-cut

### 12.1.2 Response transmitter

The response transmitter block converts two digital signals into two supply modulation current. The response currents are generated such that the rise and fall times are the same whether the  $I_{RESP}$  current is being transmitted or the  $2 \times I_{RESP}$  current is being transmitted. A diagram of the response transmitter is shown in Figure 63. Current values and timing parameters are specified in Section 10.4 and Section 10.11.

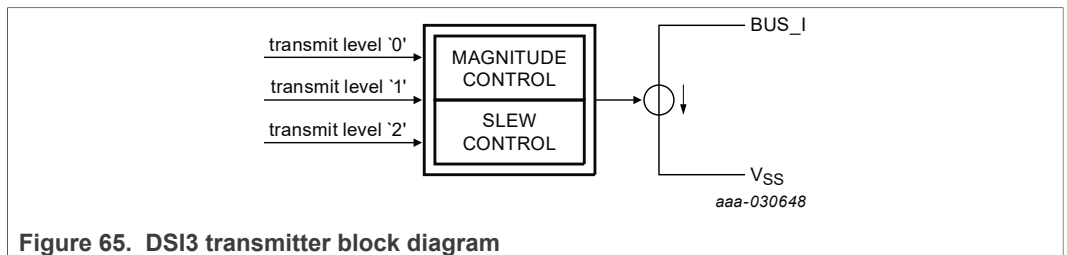


Figure 65. DSI3 transmitter block diagram

### 12.1.3 Discovery mode current sense

The current sense circuit is used during discovery mode to determine if any additional slaves are connected to the **BUS\_O** pin of the device. A diagram of the current sense circuit is shown in Figure 66. Current values and timing parameters are specified in Section 10.4 and Section 10.11. Details regarding discovery mode are included in Section 12.2.3.

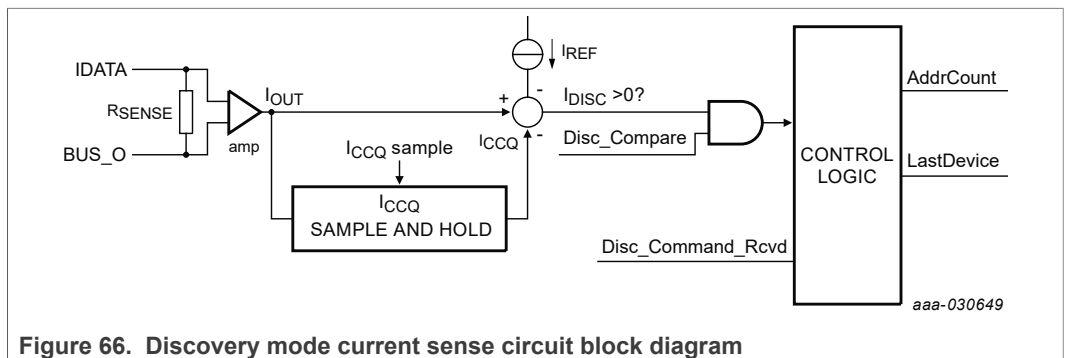


Figure 66. Discovery mode current sense circuit block diagram

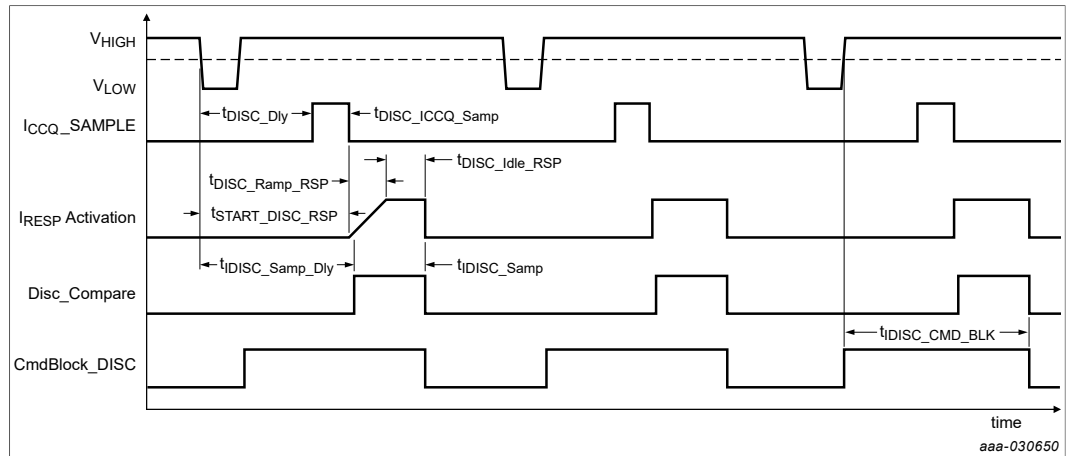


Figure 67. DSI3 discovery mode sensing timing diagram

## 12.2 Address assignment

The device supports all three address assignment methods described in the DSI3<sup>[2]</sup> standard as described in [Section 12.2.1](#), [Section 12.2.2](#), and [Section 12.2.3](#).

### 12.2.1 Address assignment method for parallel connected slaves

Devices connected in parallel must have pre-programmed addresses by storing a non-zero value into the PADDR[3:0] bits of the PHYSADDR OTP register. If a non-zero value is stored in this OTP register, The device does not participate in any other address assignment method and waits for Command and Response Mode for further configuration. See [Section 12.3](#) for details regarding Command and Response Mode.

### 12.2.2 Address assignment method for bus switch connected daisy chain devices

A device connected in daisy chain by a bus switch may have either a pre-programmed address as described in [Section 12.2.1](#), or an un-programmed address.

If the address is pre-programmed, the device does not participate in any other address assignment method and waits for Command and Response Mode for further configuration information, including activating the bus switch to connect the next device on the bus. See [Section 12.3](#) for details regarding Command and Response Mode.

If the address is un-programmed, once power is applied, the device is the only device on the segment which requires an address assignment. The device will accept a Command and Response Mode register write command addressed to Address \$0 (global command), which writes the PADDR[3:0] bits to a non-zero value. Once a physical address is assigned to the device, Command and Response Mode is used with the assigned physical address for further configuration.

On power up, the device bus switch output defaults to deactivated.

### 12.2.3 DSI3 discovery mode: Address assignment method for resistor connected daisy chain devices

A device connected in daisy chain via a resistor has an un-programmed address and uses Discovery Mode to obtain its physical address (PADDR[3:0]).

The master device must initiate Discovery Mode automatically after power is applied to the bus segment by sending a sequence of Discovery Commands. Discovery mode timing is defined in [Section 10.11](#). If the ENDINIT bit is not set and the PADDR[3:0] field is set to '0000', the device will detect a Discovery Command  $t_{\text{START\_DISC}}$  after a power-on reset and for intervals of  $t_{\text{PER\_DISC}}$  until Discovery Mode has ended (the maximum value of  $t_{\text{START\_DISC}}$ ).

Discovery Mode follows the sequence listed here. [Figure 68](#) shows a timing diagram of the Discover Protocol for a 4 device segment.

1. The master powers up the bus segment to a known state.
2. The master transmits the Discovery Command.
3. After a predetermined delay ( $t_{\text{START\_DISC\_RSP}}$ ), all devices without a physical address activate a current ramp to the  $2x$  response current at a ramp rate of  $i_{\text{DISC\_RAMP}}$ .
4. Each device monitors the current through its sense resistor ( $\Delta i_{\text{SENSE}}$ ).
  - a. If the current is above  $i_{\text{RESP}}$ , the device disables its response current, increments its physical address counter, and waits for the next Discovery Command.
  - b. If the current is low ( $\Delta i_{\text{SENSE}}$  less than  $i_{\text{RESP}}$ ), the device continues to ramp its response current to  $2 * i_{\text{RESP}}$  in time  $t_{\text{DISC\_RAMP\_RSP}}$  and maintains the current at  $2 * i_{\text{RESP}}$  for time  $t_{\text{DISC\_IDLE\_RSP}}$ .
  - c. After time  $t_{\text{DISC\_IDLE\_RSP}}$ , if a device has not detected a current through its current sense resistor of  $i_{\text{RESP}}$ , the device accepts physical address '1' and disables its response current.
5. After a pre-defined period ( $t_{\text{PER\_DISC}}$ ), the master transmits another Discovery Command.
6. Steps [3](#) and [4](#) are repeated, with the device accepting the address in its address assignment counter if the sense current is low.
7. The master repeats step 5 until it has transmitted Discovery Commands for all the devices it expects on the bus.
8. Device initialization can now begin using Command and Response Mode.

Once the Discovery Mode is complete, a physical address is assigned to the device, and Command and Response Mode is used with the assigned physical address for further configuration.

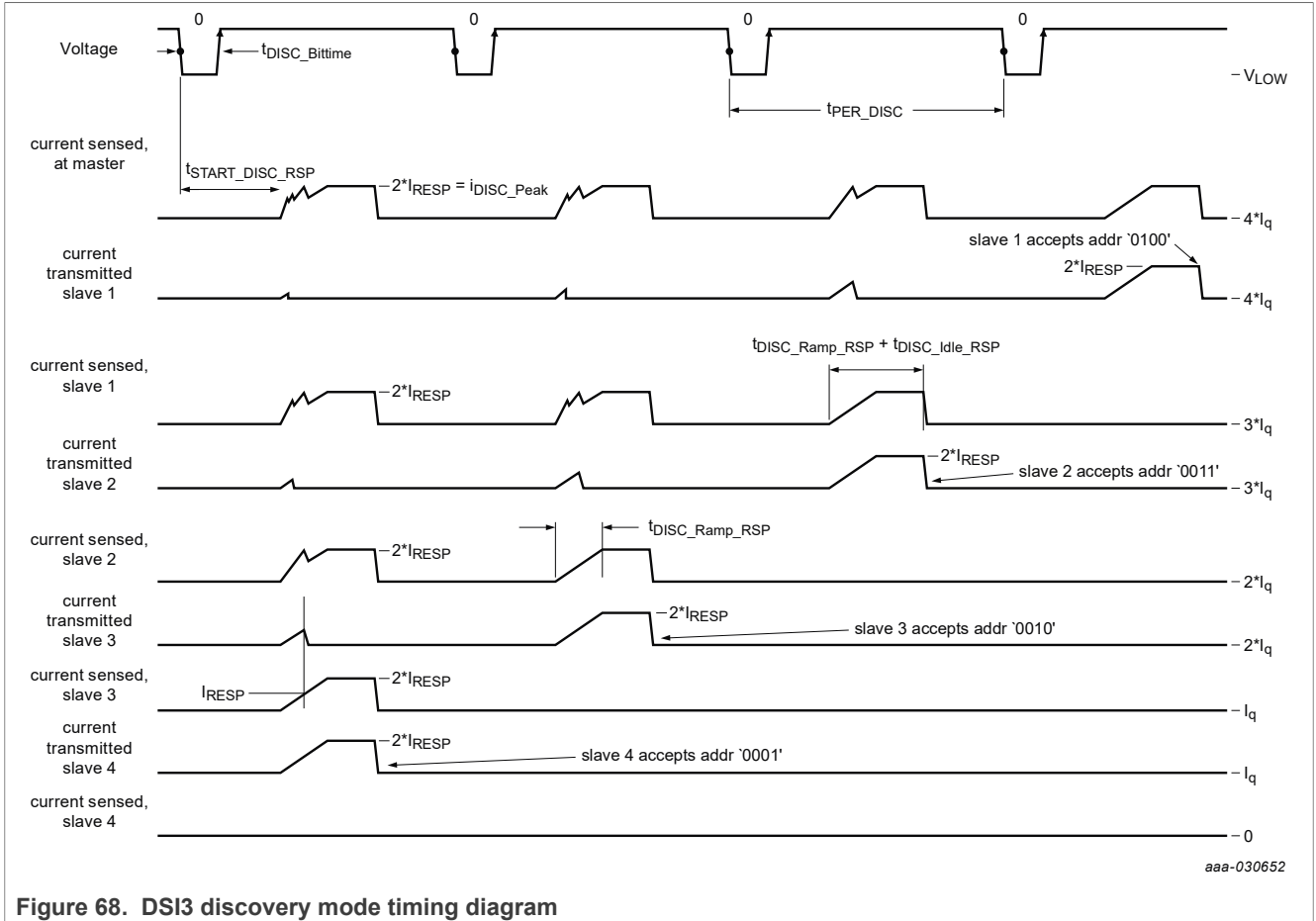


Figure 68. DSI3 discovery mode timing diagram

### 12.3 DSI3 command and response mode

DSI3 command and response mode is the main communication method used for initialization of the device.

#### 12.3.1 DSI3 command and response mode command reception

Command and response mode data packets are exchanged between a single master and a single slave. The primary purpose of command and response transactions are to read from and write to registers within the device memory structure.

An example command and response mode command is shown in [Figure 69](#). The command consists of 32 bits of data broken up into multiple fields as described in [Section 12.3.1.2](#).

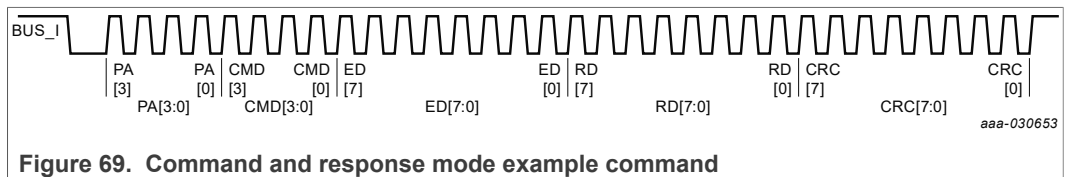


Figure 69. Command and response mode example command

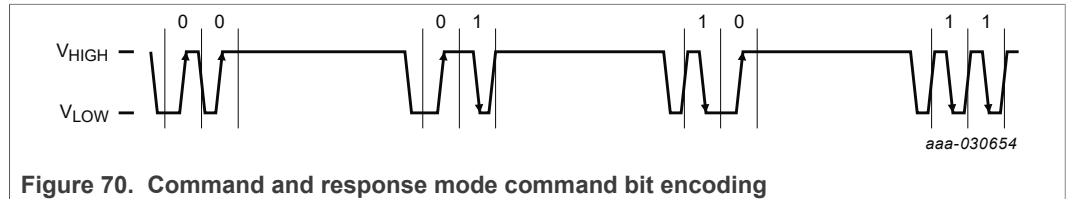


**Table 221. Command and response mode example command descriptions**

Physical address				Command				Extended data								Register data								Error checking							
PA3	PA2	PA1	PA0	C3	C2	C1	C0	D15	D14	D13	D12	D11	D10	D9	D8	D7	D6	D5	D4	D3	D2	D1	D0	E7	E6	E5	E4	E3	E2	E1	E0
0	0	0	1	1	0	0	0	1	0	1	0	1	0	1	0	0	0	1	0	1	1	0	0	0	0	1	1	0	1	1	0

**12.3.1.1 Bit encoding**

Figure 70 shows the bit encoding used for Command and Response Mode Commands from the Master device.



**Figure 70. Command and response mode command bit encoding**

**12.3.1.2 Command message format**

The command and response mode command format is shown in Table 222.

**Table 222. Command and response mode - command format**

Physical address	Command	Extended data	Register data	CRC
PA[3:0]	CMD[3:0]	ED[7:0]	RD[7:0]	CRC[7:0]

**Table 223. Command and response mode - field definitions**

Field	Length (Bits)	Definition
PA[3:0]	4	Physical Address. The physical address must match the value in the PADDR[3:0] of the PHYSADDR register
CMD[3:0]	4	Command (see Section 12.3.4)
ED[7:0]	8	Extended Data (see Section 12.3.4)
RD[7:0]	8	Register Data (see Section 12.3.4)
CRC[7:0]	8	Error Checking (see Section 12.3.1.3)

**12.3.1.3 Error checking**

The device calculates an 8-bit CRC on the entire 32-bits of each command. Message data is entered into the CRC calculator MSB first, consistent with the transmission order of the message. If the calculated CRC does not match the transmitted CRC, the command is ignored and the device does not respond.

The CRC decoding procedure is:

1. A seed value is preset into the least significant bits of the shift register.
2. Using a serial CRC calculation method, the receiver rotates the received message and CRC into the least significant bits of the shift register in the order received (MSB first).
3. When the calculation on the last bit of the CRC is rotated into the shift register, the shift register contains the CRC check result.
4. If the shift register contains all zeros, the CRC is correct.

5. If the shift register contains a value other than zero, the CRC is incorrect.

The CRC polynomial and seed for Command and Response Mode are shown in [Table 224](#).

**Table 224. Command and response mode command CRC**

Mode	Default polynomial	Non-direct seed
Command and Response Mode	$x^8 + x^5 + x^3 + x^2 + x + 1$	1111 1111

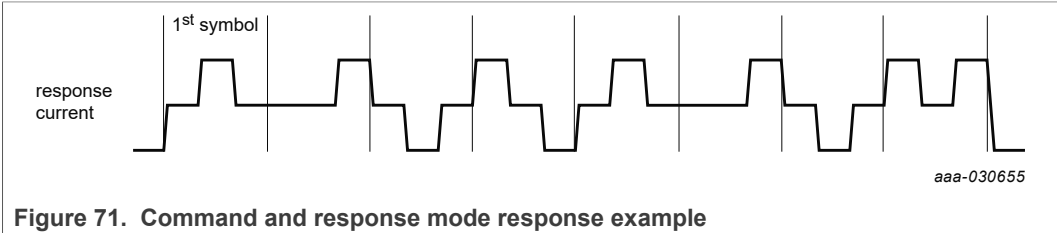
Some example CRC calculations are shown in [Table 225](#).

**Table 225. Command and response mode - CRC calculation examples**

Physical address	Command	Extended data	Register data	Non-direct seed	8-bit CRC
0x01	0x08	0x11	0x86	0xFF	0xB0
0x02	0x01	0x25	0xFF	0xFF	0x38
0x03	0x0F	0x1A	0x41	0xFF	0x2C
0x04	0x01	0x01	0x01	0xFF	0xD4

**12.3.2 DSI3 command and response mode response transmission**

An example command and response mode response is shown in [Figure 71](#). The response consists of 32 bits of data broken up into multiple fields as described in [Section 12.3.2.2](#).



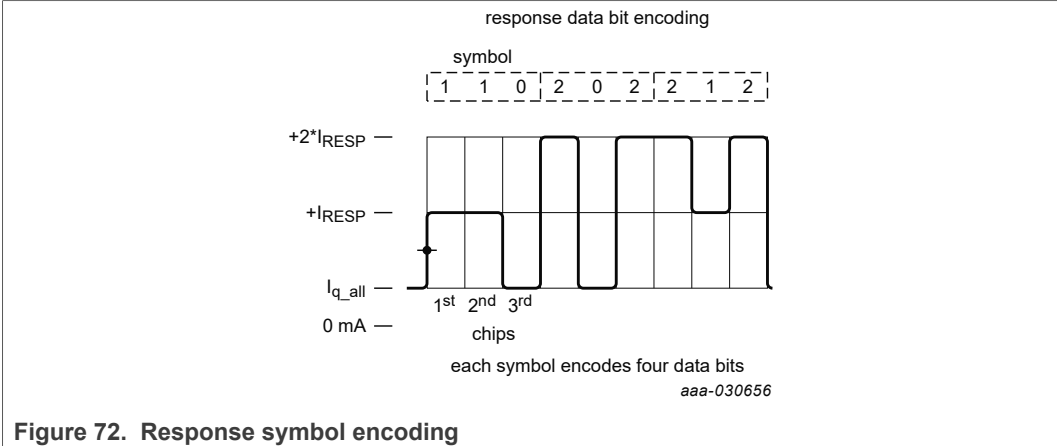
**Figure 71. Command and response mode response example**

**Table 226. Command and response mode response example**

Physical address				Command				Extended data								Register data								Error checking							
PA3	PA2	PA1	PA0	C3	C2	C1	C0	D15	D14	D13	D12	D11	D10	D9	D8	D7	D6	D5	D4	D3	D2	D1	D0	E7	E6	E5	E4	E3	E2	E1	E0
0	0	0	1	1	0	0	0	1	0	1	0	1	0	1	0	0	0	1	0	1	1	0	0	0	0	1	1	0	1	1	0

**12.3.2.1 Symbol encoding**

The device response to a Command and Response Mode Command uses multi-level source coding where data nibbles are first encoded into symbols and then the symbols are encoded into current levels. The symbols are assembled from three consecutive three-level current pulses called chips. Within a symbol there are 3 consecutive chips that can assume one of three discrete current levels as described in [Section 10.5](#):  $i_q$ ,  $i_q + i_{RESP}$ , and  $i_q + 2 \times i_{RESP}$ . [Figure 72](#) shows the chip transmissions and an example of a 3 symbol (9 chip), 12-bit data packet.



**Figure 72. Response symbol encoding**

Of the 27 possible combinations for three consecutive tri-level chips, the combinations that begin with the null current level ( $i_q$ ) are discarded. Of the remaining 18 symbols, the two symbols that contain the same value for all three chips are also discarded. The remaining 16 symbols all begin with a non-null current level and have at least one transition. These characteristics guarantee that any response packet has a transition at the beginning of a packet and at least one transition in every symbol. Each 3-chip symbol encodes the information of 4-bits. [Table 227](#) shows the symbol encoding used by the device.

**Table 227. Symbol mapping**

Encoded data (4 Bits)		Symbol transmitted		
Binary	HEX	1st Chip	2nd Chip	3rd Chip
0000	0	1	1	0
0001	1	2	1	1
0010	2	1	0	2
0011	3	2	0	2
0100	4	1	0	0
0101	5	2	1	2
0110	6	1	1	2
0111	7	2	0	1
1000	8	2	2	0
1001	9	2	1	0
1010	A	1	2	2
1011	B	2	2	1
1100	C	1	2	0
1101	D	2	0	0
1110	E	1	0	1

Table 227. Symbol mapping...continued

Encoded data (4 Bits)		Symbol transmitted		
Binary	HEX	1st Chip	2nd Chip	3rd Chip
1111	F	1	2	1
Where:				
0 = iq				
1 = i <sub>RESP</sub>				
2 = 2 × i <sub>RESP</sub>				

### 12.3.2.2 Response message format

The command and response mode response format is shown in [Table 228](#).

Table 228. Command and response mode - response format

Physical address	Command	Register + 1 data	Register data	CRC
PA[3:0]	CMD[3:0]	RD1[7:0]	RD[7:0]	CRC[7:0]

Table 229. Command and response mode - field definitions

Field	Length (Bits)	Definition
PA[3:0]	4	Physical Address Matches the value in the PADDR[3:0] of the PHYSADDR register
CMD[3:0]	4	An echo of the received command
ED[7:0]	8	The data contained in the register addressed by RA[7:1] + 1 (High Byte, see <a href="#">Section 12.3.4</a> )
RD[7:0]	8	The data contained in the register addressed by RA[7:1] + 0 (Low Byte, see <a href="#">Section 12.3.4</a> )
CRC[7:0]	8	Error Checking (see <a href="#">Section 12.3.2.3</a> )

### 12.3.2.3 Error checking

The device calculates a CRC on the entire 32-bits of each response. Message data is entered into the CRC calculator MSB first, consistent with the transmission order of the message.

The CRC Encoding procedure is:

1. A seed value is preset into the least significant bits of the shift register.
2. Using a serial CRC calculation method, the transmitter rotates the transmitted message into the least significant bits of the shift register, MSB first.
3. Following the transmitted message, the transmitter feeds eight zeros into the shift register, to match the length of the CRC.
4. When the last zero is fed into the input adder, the shift register contains the CRC.
5. The CRC is transmitted.

The CRC polynomial and seed for Command and Response Mode are shown in [Table 230](#).

Table 230. Command and response mode response CRC

Mode	Default polynomial	Non-direct seed
Command and Response Mode	$x^8 + x^5 + x^3 + x^2 + x + 1$	1111 1111

Some example CRC calculations are shown in [Table 225](#).

### 12.3.3 DSI3 command and response mode timing

A timing diagram for command and response mode is shown in [Figure 73](#). Timing parameters are specified in [Section 10.11](#).

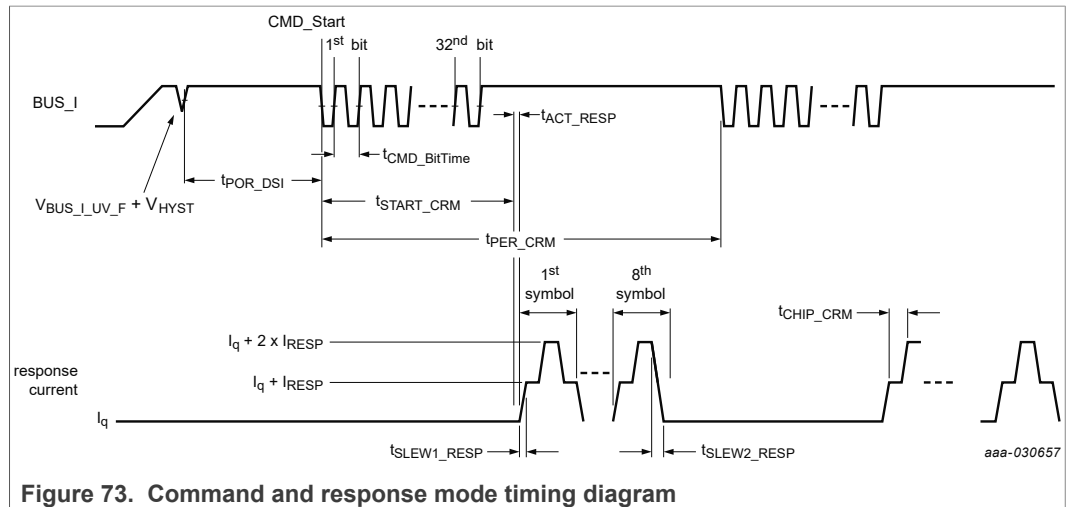


Figure 73. Command and response mode timing diagram

### 12.3.4 DSI3 command and response mode command summary

Table 231. DSI3 command and response mode command summary

Command						Data															
C3	C2	C1	C0	Hex	Description	D15	D14	D13	D12	D11	D10	D9	D8	D7	D6	D5	D4	D3	D2	D1	D0
0	0	0	0	\$0	Register Read	RA[7]	RA[6]	RA[5]	RA[4]	RA[3]	RA[2]	RA[1]	x	x	x	x	x	x	x	x	x
0	0	0	1	\$1	Reserved	x	x	x	x	x	x	x	x	x	x	x	x	x	x	x	x
0	0	1	0	\$2	Reserved	x	x	x	x	x	x	x	x	x	x	x	x	x	x	x	x
0	0	1	1	\$3	Reserved	x	x	x	x	x	x	x	x	x	x	x	x	x	x	x	x
0	1	0	0	\$4	Reserved	x	x	x	x	x	x	x	x	x	x	x	x	x	x	x	x
0	1	0	1	\$5	Reserved	x	x	x	x	x	x	x	x	x	x	x	x	x	x	x	x
0	1	1	0	\$6	Reserved	x	x	x	x	x	x	x	x	x	x	x	x	x	x	x	x
0	1	1	1	\$7	Reserved	x	x	x	x	x	x	x	x	x	x	x	x	x	x	x	x
1	0	0	0	\$8	Register Write	RA[7]	RA[6]	RA[5]	RA[4]	RA[3]	RA[2]	RA[1]	RA[0]	RD[7]	RD[6]	RD[5]	RD[4]	RD[3]	RD[2]	RD[1]	RD[0]
1	0	0	1	\$9	Reserved	x	x	x	x	x	x	x	x	x	x	x	x	x	x	x	x
1	0	1	0	\$A	Reserved	x	x	x	x	x	x	x	x	x	x	x	x	x	x	x	x
1	0	1	1	\$B	Enter PDCM	x	x	x	x	x	x	x	x	x	x	x	x	x	x	x	x
1	1	0	0	\$C	Reserved	x	x	x	x	x	x	x	x	x	x	x	x	x	x	x	x
1	1	0	1	\$D	Reserved	x	x	x	x	x	x	x	x	x	x	x	x	x	x	x	x
1	1	1	0	\$E	Reserved	x	x	x	x	x	x	x	x	x	x	x	x	x	x	x	x
1	1	1	1	\$F	Reserved	x	x	x	x	x	x	x	x	x	x	x	x	x	x	x	x

#### 12.3.4.1 Register read command

The device supports the Register Read command as a device address specific command only. If the PA[3:0] field in the command matches the value in the PADDR[3:0] bits of

the PHYSADDR register and a valid CRC is calculated, the device responds to the command.

The device ignores the Register Read command if the command is sent to any other physical address, including the DSI Global Device Address of '0000'.

The Register Read command uses the byte address definitions shown in [Section 11.1](#). The Register Read response includes the register contents at the time the Register Read command decode is complete. Readable registers along with their byte addresses are shown in [Section 11.1](#). If an attempt is made to read a register that is not readable, the device will respond with all zero data.

**Table 232. Register read command format**

Address				Command				Data														CRC			
PA3	PA2	PA1	PA0	C3	C2	C1	C0	D15	D14	D13	D12	D11	D10	D9	D8	D7	D6	D5	D4	D3	D2	D1	D0		
PA[3]	PA[2]	PA[1]	PA[0]	0	0	0	0	RA[7]	RA[6]	RA[5]	RA[4]	RA[3]	RA[2]	RA[1]	x	0	0	0	0	0	0	0	0	0	8 bits

**Table 233. Register read command format description**

Bit field	Definition
PA[3:0]	DSI physical address. This field contains the physical address. This field must match the PADDR[3:0] bits in the PHYSADDR register. Otherwise, the command is ignored.
C[3:0]	Register Read Command = '0000'
RA[7:1]	RA[7:1] contains the upper 7 bits of the byte address for the register to be read.

**Table 234. Register read command: response format**

Address				Command				Data														CRC		
PA3	PA2	PA1	PA0	C3	C2	C1	C0	D15	D14	D13	D12	D11	D10	D9	D8	D7	D6	D5	D4	D3	D2	D1	D0	
PA[3]	PA[2]	PA[1]	PA[0]	0	0	0	0	RD[15]	RD[14]	RD[13]	RD[12]	RD[11]	RD[10]	RD[9]	RD[8]	RD[7]	RD[6]	RD[5]	RD[4]	RD[3]	RD[2]	RD[1]	RD[0]	8 bits

**Table 235. Register read command: response format description**

Bit field	Definition
PA[3:0]	DSI physical address. This field contains the PADDR[3:0] bits in the PHYSADDR register.
C[3:0]	Register Read Command = '0000'
RD[15:8]	The data contained in the register addressed by RA[7:1] + 1 (High Byte)
RD[7:0]	The data contained in the register addressed by RA[7:1] + 0 (Low Byte)

A register read command to a register address outside the addresses listed in [Section 11.1](#) will result in a valid response. The data for the registers will be '0x0000'.

**12.3.4.2 Register write command**

The device supports the Register Write command as a device address specific command. If the PA[3:0] field in the command matches the value in the PADDR[3:0] bits of the PHYSADDR register, the device will execute the register write and respond to the command.

The device ignores the Register Write command if the command is sent to any other physical address, including the DSI Global Device Address of '0000', with one exception as explained in [Section 12.3.4.3](#).

The Register Write command uses the byte address definitions shown in [Section 11.1](#). Writable registers along with their Byte addresses are shown in [Section 11.1](#).

**Table 236. Register write command format**

Address				Command				Data																CRC
PA3	PA2	PA1	PA0	C3	C2	C1	C0	D15	D14	D13	D12	D11	D10	D9	D8	D7	D6	D5	D4	D3	D2	D1	D0	
PA[3]	PA[2]	PA[1]	PA[0]	1	0	0	0	RA[7]	RA[6]	RA[5]	RA[4]	RA[3]	RA[2]	RA[1]	RA[0]	RD[7]	RD[6]	RD[5]	RD[4]	RD[3]	RD[2]	RD[1]	RD[0]	8 bits

**Table 237. Register write command format description**

Bit field	Definition
PA[3:0]	DSI physical address. This field contains the physical address. This field must match the PADDR[3:0] bits in the PHYSADDR register. Otherwise, the command is ignored.
C[3:0]	Register Write Command = '1000'
RA[7:0]	RA[7:0] contains the byte address of the register to be read.
RD[7:0]	RD[7:0] contains the data to be written to the register addressed by RA[7:0].

**Table 238. Register write command: response format**

Address				Command				Data																CRC
PA3	PA2	PA1	PA0	C3	C2	C1	C0	D15	D14	D13	D12	D11	D10	D9	D8	D7	D6	D5	D4	D3	D2	D1	D0	
PA[3]	PA[2]	PA[1]	PA[0]	1	0	0	0	RD[15]	RD[14]	RD[13]	RD[12]	RD[11]	RD[10]	RD[9]	RD[8]	RD[7]	RD[6]	RD[5]	RD[4]	RD[3]	RD[2]	RD[1]	RD[0]	8 bits

**Table 239. Register write command: response format description**

Bit field	Definition
PA[3:0]	DSI physical address. This field contains the PADDR[3:0] bits in the PHYSADDR register.
C[3:0]	Register Write Command = '1000'
RD[15:8]	The data contained in the register addressed by RA[7:1] + 1 (High Byte) (after the register write is executed)
RD[7:0]	The data contained in the register addressed by RA[7:1] + 0 (Low Byte) (after the register write is executed)

A register write command to a register address outside the addresses listed in [Section 11.1](#) will not execute, but will result in a valid response. The data for the registers will be '0x0000'.

A register write command to a read-only register will not execute, but will result in a valid response. The data for the registers will be the current contents of the register.

**12.3.4.3 Global register write command to the PHYSADDR register**

The device supports the Register Write command as a global address under the following conditions:

1. The Register Write command is written to the PHYSADDR register.

- The PADDR[3:0] bits of the PHYSADDR register are equal to '0000' prior to the register write being executed.

If these conditions are met, the device will execute the register write and respond to the command.

**Table 240. Global register write command format**

Address				Command				Data																CRC
PA3	PA2	PA1	PA0	C3	C2	C1	C0	D15	D14	D13	D12	D11	D10	D9	D8	D7	D6	D5	D4	D3	D2	D1	D0	
0	0	0	0	1	0	0	0	0	0	0	1	0	0	0	1	0	0	0	0	RD[3]	RD[2]	RD[1]	RD[0]	8 bits

**Table 241. Global register write command format description**

Bit field	Definition
PA[3:0]	The DSI Global address of '0000'.
C[3:0]	Register Write Command = '1000'
RA[7:0]	RA[7:0] must be set to the PHYSADDR register address.
RD[3:0]	RD[3:0] contains the new physical address for the device.

**Table 242. Global register write command: response format**

Address				Command				Data																CRC
PA3	PA2	PA1	PA0	C3	C2	C1	C0	D15	D14	D13	D12	D11	D10	D9	D8	D7	D6	D5	D4	D3	D2	D1	D0	
PA[3]	PA[2]	PA[1]	PA[0]	1	0	0	0	RD[15]	RD[14]	RD[13]	RD[12]	RD[11]	RD[10]	RD[9]	RD[8]	RD[7]	RD[6]	RD[5]	RD[4]	RD[3]	RD[2]	RD[1]	RD[0]	8 bits

**Table 243. Global register write command: response format description**

Bit field	Definition
PA[3:0]	The new DSI physical address programmed to the PADDR[3:0] bits in the PHYSADDR register.
C[3:0]	Register Write Command = '1000'
RD[15:8]	The data contained in register after PHYSADDR
RD[7:0]	The data contained in the PHYSADDR register after the register write is executed.

**12.3.4.4 Enter periodic data collection mode command**

The device supports an Enter PDCM command as a device address specific command and as a Global Command.

If the PA[3:0] field in the command matches the value in the PADDR[3:0] bits of the PHYSADDR register, the device will set the ENDINIT bit in the DEVLOCK\_WR register, enter Periodic Data Collection Mode, and respond to the command as shown in [Table 247](#). If the PA[3:0] field in the command matches the Global address of '0000', the device will set the ENDINIT bit in the DEVLOCK\_RW register and enter Periodic Data Collection Mode regardless of the value of the PADDR[3:0] bits in the PHYSADDR register (this includes PADDR = 0x0). No response is transmitted for a global command. The device ignores the Enter PDCM command if the command is sent to any other physical address.

The various DSI3 communication modes are controlled by the PDCM enable command and the BDM\_EN bit in the TIMING\_CFG2 register as shown in [Table 244](#).



Table 244. PDCM enable command and BDM\_EN bit status

PDCM Enabled?	BDM_EN	Command and Response Mode	Periodic Data Collection Mode	Background Diagnostic Mode
No	0	Enabled	Disabled	Disabled
No	1	Enabled	Disabled	Disabled
Yes	0	Disabled	Enabled	Disabled
Yes	1	Disabled	Enabled	Enabled

Once the ENDINIT bit is set, the registers listed in [Section 11.3.3](#) are locked and the user array read/write register array verification is enabled. The ENDINIT bit can only be cleared by a device reset.

Table 245. Enter periodic data collection mode command format

Address				Command				Data														CRC			
PA3	PA2	PA1	PA0	C3	C2	C1	C0	D15	D14	D13	D12	D11	D10	D9	D8	D7	D6	D5	D4	D3	D2	D1	D0		
PA[3]	PA[2]	PA[1]	PA[0]	1	0	1	1	0	0	0	0	0	0	0	0	0	0	0	0	0	0	0	0	0	8 bits

Table 246. Enter periodic data collection mode command format description

Bit field	Definition
PA[3:0]	DSI physical address. This field contains the physical address. This field must match the PADDR[3:0] bits in the PHYSADDR register or the Global Address of '0000'. Otherwise, the command is ignored.
C[3:0]	Enter PDCM Command = '1011'

Table 247. Enter periodic data collection mode command: response format

Address				Command				Data														CRC			
PA3	PA2	PA1	PA0	C3	C2	C1	C0	D15	D14	D13	D12	D11	D10	D9	D8	D7	D6	D5	D4	D3	D2	D1	D0		
PA[3]	PA[2]	PA[1]	PA[0]	1	0	1	1	0	0	0	0	Ch[3]	Ch[2]	Ch[1]	Ch[0]	0	0	0	0	0	0	0	0	0	8 bits

Table 248. Enter periodic data collection mode command: response format description

Bit field	Definition
PA[3:0]	DSI physical address. This field contains the PADDR[3:0] bits in the PHYSADDR register.
Ch[3:0]	CHIPTIME[3:0] in the CHIPTIME register
C[3:0]	Enter Periodic Data Collection Mode Command = '1011'

### 12.3.4.5 Reserved commands

If the PA[3:0] field in the command matches the value in the PADDR[3:0] bits of the PHYSADDR register and a valid CRC is calculated, the device will respond to reserved commands. The physical address and command will be echoed and the correct CRC are transmitted. The data included in the response is undefined.

Table 249. Reserved commands

Address				Command				Data														CRC		
PA3	PA2	PA1	PA0	C3	C2	C1	C0	D15	D14	D13	D12	D11	D10	D9	D8	D7	D6	D5	D4	D3	D2	D1	D0	
PA[3]	PA[2]	PA[1]	PA[0]	0	0	0	1	x	x	x	x	x	x	x	x	x	x	x	x	x	x	x	x	8 bits
PA[3]	PA[2]	PA[1]	PA[0]	0	0	1	0	x	x	x	x	x	x	x	x	x	x	x	x	x	x	x	x	8 bits

Table 249. Reserved commands...continued

Address				Command				Data																CRC
PA3	PA2	PA1	PA0	C3	C2	C1	C0	D15	D14	D13	D12	D11	D10	D9	D8	D7	D6	D5	D4	D3	D2	D1	D0	
PA[3]	PA[2]	PA[1]	PA[0]	0	0	1	1	x	x	x	x	x	x	x	x	x	x	x	x	x	x	x	x	8 bits
PA[3]	PA[2]	PA[1]	PA[0]	0	1	0	0	x	x	x	x	x	x	x	x	x	x	x	x	x	x	x	x	8 bits
PA[3]	PA[2]	PA[1]	PA[0]	0	1	0	1	x	x	x	x	x	x	x	x	x	x	x	x	x	x	x	x	8 bits
PA[3]	PA[2]	PA[1]	PA[0]	0	1	1	0	x	x	x	x	x	x	x	x	x	x	x	x	x	x	x	x	8 bits
PA[3]	PA[2]	PA[1]	PA[0]	0	1	1	1	x	x	x	x	x	x	x	x	x	x	x	x	x	x	x	x	8 bits
PA[3]	PA[2]	PA[1]	PA[0]	1	0	0	1	x	x	x	x	x	x	x	x	x	x	x	x	x	x	x	x	8 bits
PA[3]	PA[2]	PA[1]	PA[0]	1	0	1	0	x	x	x	x	x	x	x	x	x	x	x	x	x	x	x	x	8 bits
PA[3]	PA[2]	PA[1]	PA[0]	1	1	0	0	x	x	x	x	x	x	x	x	x	x	x	x	x	x	x	x	8 bits
PA[3]	PA[2]	PA[1]	PA[0]	1	1	0	1	x	x	x	x	x	x	x	x	x	x	x	x	x	x	x	x	8 bits
PA[3]	PA[2]	PA[1]	PA[0]	1	1	1	0	x	x	x	x	x	x	x	x	x	x	x	x	x	x	x	x	8 bits
PA[3]	PA[2]	PA[1]	PA[0]	1	1	1	1	x	x	x	x	x	x	x	x	x	x	x	x	x	x	x	x	8 bits

Table 250. Reserved commands description

Bit field	Definition
PA[3:0]	DSI physical address. This field contains the physical address. This field must match the PADDR[3:0] bits in the PHYSADDR register. Otherwise, the command is ignored.
C[3:0]	Invalid Commands
x	Don't Care

Table 251. Reserved command response format

Address				Command				Data																CRC
PA3	PA2	PA1	PA0	C3	C2	C1	C0	D15	D14	D13	D12	D11	D10	D9	D8	D7	D6	D5	D4	D3	D2	D1	D0	
PA[3]	PA[2]	PA[1]	PA[0]	C[3]	C[2]	C[1]	C[0]	x	x	x	x	x	x	x	x	x	x	x	x	x	x	x	x	8 bits

Table 252. Reserved command response format description

Bit field	Definition
PA[3:0]	DSI physical address. This field contains the PADDR[3:0] bits in the PHYSADDR register.
C[3:0]	Reserved Command Echo

## 12.4 DSI3 periodic data collection mode and background diagnostic mode

When the ENDINIT bit in the DEVLOCK\_WR register is set, periodic data collection mode is enabled and the optional background diagnostic mode is enabled.

### 12.4.1 DSI3 periodic data collection mode and background diagnostic mode command reception

When periodic data collection mode is enabled, the device will decode the DSI3 broadcast read command as well as background diagnostic mode command fragments as described below.

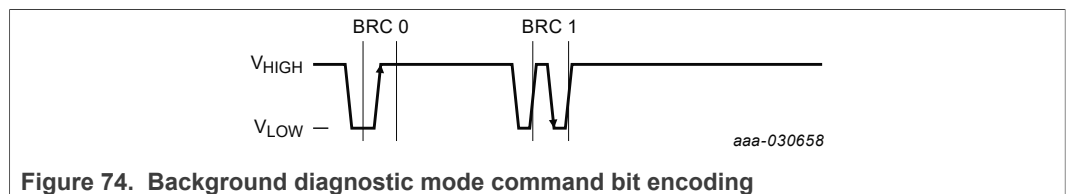
**12.4.1.1 Bit encoding**

The Command Bit encoding for Periodic Data Collection Mode and Background Diagnostic Mode is the same as the bit encoding for Command and Response Mode, as described in [Section 12.3.1.1](#).

**12.4.1.2 Command message format**

The command message format for Periodic Data Collection Mode and Background Diagnostic Mode is the same as the command message format for Command and Response Mode, as described in [Section 12.3.1.2](#).

If Background Diagnostic Mode is disabled, then the device responds with the Periodic Data Collection Mode response only if the command is the single bit Broadcast Read Command. A Broadcast Read Command may be either a '1' or a '0'. [Figure 74](#) shows the Broadcast Read Commands supported by the device.



**Figure 74. Background diagnostic mode command bit encoding**

If Background Diagnostic Mode is enabled:

- Background Diagnostic Mode commands are transmitted and decoded in 2- or 4-bit fragments depending on the state of the BDM\_FRAGSIZE bit in the TIMING\_CFG2 register.
- The device responds with the Periodic Data Collection Mode response if and only if the command is a Broadcast Read Command or a command fragment.
- A Broadcast Read Command or any command length other than 2 or 4 bits resets the Background Diagnostic Mode command decode.
- The device responds with a Background Diagnostic Mode response only when a full 32-bit command is received and the decoded command is a valid Command and Response Mode command.

See [Section 12.4.4](#) for additional details on Background Diagnostic Mode timing.

**12.4.1.3 Error checking**

The error checking for Background Diagnostic Mode commands is the same as the error checking for Command and Response Mode, and described in [Section 12.3.1.3](#).

No error checking is employed for the Broadcast Read Commands.

**12.4.2 DSI3 periodic data collection mode response transmission**

When periodic data collection mode is enabled and the device receives either a broadcast read or background diagnostic command, the device will respond with periodic data as shown in [Figure 75](#) and described in the following sections.

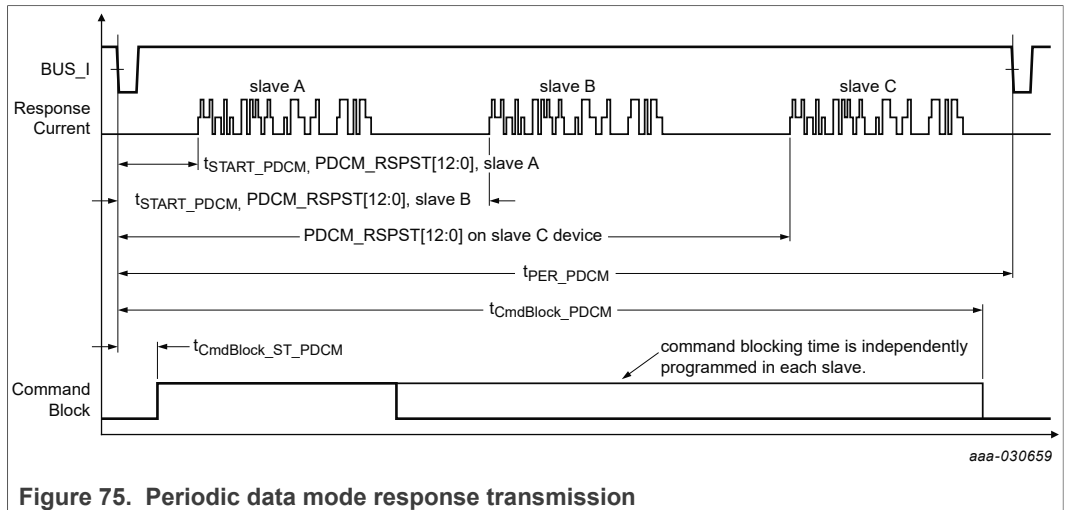


Figure 75. Periodic data mode response transmission

12.4.2.1 Symbol encoding

The symbol encoding used for Periodic Data Collection Mode Responses is the same as for Command and Response Mode responses, and described in Section 12.3.2.1.

12.4.2.2 Response message format

The Periodic Data Collection Mode response format is shown in Table 253 and Table 254. Field sizes are defined by the PDCMFORMAT[2:0] bits in the SOURCEID\_x register in Section 11.2.13.

Table 253. Periodic data collection mode response format

Source ID	Keep alive counter	Status	Sensor data	CRC
SOURCEID	KAC	S	D	CRC[7:0]

- If enabled in the PDCMFORMAT[2:0] bits, the SOURCEID field includes the value stored in the SOURCEID\_x[3:0] bits of the SOURCEID\_x register.
- If enabled in the PDCMFORMAT[2:0] bits, the Keep Alive Counter field is a 2-bit rolling message counter that is independently incremented for each SOURCEID. The initial value of the counter is '00'.
- If enabled, the status field is transmitted as listed in Table 254. See Section 12.7 for details on exception handling.
- The Sensor Data field includes the sensor data as selected by the DATATYPE\_x bits for the SOURCEID.
- The CRC field includes an 8-bit CRC as defined in Section 12.4.2.3.

Table 254. Periodic data collection mode status field definition

s[3:0]	Description	DEVSTAT state	SUP_ER-R_DIS state	Error priority	Sensor data field value	
					STATUS field size = 4	STATUS field size = 0
0 0 0 0	Normal Mode	N/A	N/A	16	Sensor Data	
0 0 0 1	Normal Mode, User Array Not Locked (UF2 region has not been locked)	N/A	N/A	15	Sensor Data	The Sensor Data Field Error Code is transmitted for a minimum of one transmission
0 0 1 0	Self-test Incomplete or Self-test Active or Self-test Error Present	Bit set in CHX_STAT: ST_INCMPLT or ST_ACTIVE or ST_ERROR	N/A	14	Sensor Data	The Sensor Data Field Error Code is transmitted for a minimum of one transmission

**Table 254. Periodic data collection mode status field definition...continued**

s[3:0]				Description	DEVSTAT state	SUP_ER-R_DIS state	Error priority	Sensor data field value	
								STATUS field size = 4	STATUS field size = 0
0	0	1	1	Oscillator Training Error	Bit set in DEVSTAT3	N/A	13	Sensor Data	The Sensor Data Field Error Code is transmitted for a minimum of one transmission
0	1	0	0	Offset Error	Bit set in CHx_STAT: SIGNALCLIP or OFFSET_ERR	N/A	12	Sensor Data	The Sensor Data Field Error Code is transmitted for a minimum of one transmission
0	1	0	1	Temperature Error	Bit set in DEVSTAT2	N/A	11	Sensor Data	The Sensor Data Field Error Code is transmitted for a minimum of one transmission
0110 to 0111				RESERVED	N/A	N/A	9,10	Sensor Data	The Sensor Data Field Error Code is transmitted for a minimum of one transmission
1	0	0	0	User OTP Memory Error (UF2)	U_OTP_ERR set in DEVSTAT2	N/A	8	The Sensor Data Field Error Code is transmitted for a minimum of one transmission	
1	0	0	1	User R/W Memory Error (UF2)	U_RW_ERR set in DEVSTAT2	N/A	7	The Sensor Data Field Error Code is transmitted for a minimum of one transmission	
1	0	1	0	NXP OTP Memory Error	F_OTP_ERR set in DEVSTAT2	N/A	6	The Sensor Data Field Error Code is transmitted for a minimum of one transmission	
1	0	1	1	Test Mode Active	TESTMODE bit set in DEVSTAT	N/A	5	The Sensor Data Field Error Code is transmitted for a minimum of one transmission	
1	1	0	0	Supply Error	Bit set in DEVSTAT1	0	4	No Response until the supply monitor timer expires The Sensor Data Field Error Code is transmitted for a minimum of one transmission (See <a href="#">Section 11.2.2.5</a> )	
								1	No Response until the supply monitor timer expires (See <a href="#">Section 11.2.2.5</a> )
1	1	0	1	Reset Error	DEVRES Set	N/A	3	The Sensor Data Field Error Code is transmitted for a minimum of one transmission	
1110 to 1111				RESERVED	N/A	N/A	1, 2	The Sensor Data Field Error Code is transmitted for a minimum of one transmission	

**12.4.2.3 Error checking**

The device calculates a CRC on the entire response. Message data is entered into the CRC calculator MSB first, consistent with the transmission order of the message.

The CRC Encoding procedure is:

1. A seed value is preset into the least significant bits of the shift register.
2. Using a serial CRC calculation method, the transmitter rotates the transmitted message into the least significant bits of the shift register, MSB first.
3. Following the transmitted message, the transmitter feeds eight zeros into the shift register, to match the length of the CRC.
4. When the last zero is fed into the input adder, the shift register contains the CRC.
5. The CRC is transmitted.

The CRC polynomial and seed for periodic data collection mode are shown in [Table 255](#).

**Table 255. Periodic data collection mode response CRC**

Mode	Default polynomial	Non-direct seed
Periodic Data Collection Mode	$x^8 + x^5 + x^3 + x^2 + x + 1$	0000, SOURCEID_x[3:0]

Some example CRC calculations are shown in [Table 256](#).

**Table 256. Periodic data collection mode - CRC calculation examples**

Source identification (4 Bits)	Keep alive counter (2 Bits)	Status (4 Bits)	Sensor data (10 Bits)	Non-direct seed	8-bit CRC
0x1	0x3	0x0	0x1FF	0x01	0xD6

Table 256. Periodic data collection mode - CRC calculation examples...continued

Source identification (4 Bits)	Keep alive counter (2 Bits)	Status (4 Bits)	Sensor data (10 Bits)	Non-direct seed	8-bit CRC
0x2	0x2	0x0	0x1FE	0x02	0x70
0x3	0x1	0x0	0x20D	0x03	0xB0
0x4	0x0	0x0	0x1EA	0x04	0x5F

12.4.3 DSI3 periodic data collection mode timing

A timing diagram for periodic data collection mode is shown in Figure 76. Timing parameters are specified in Section 10.11.

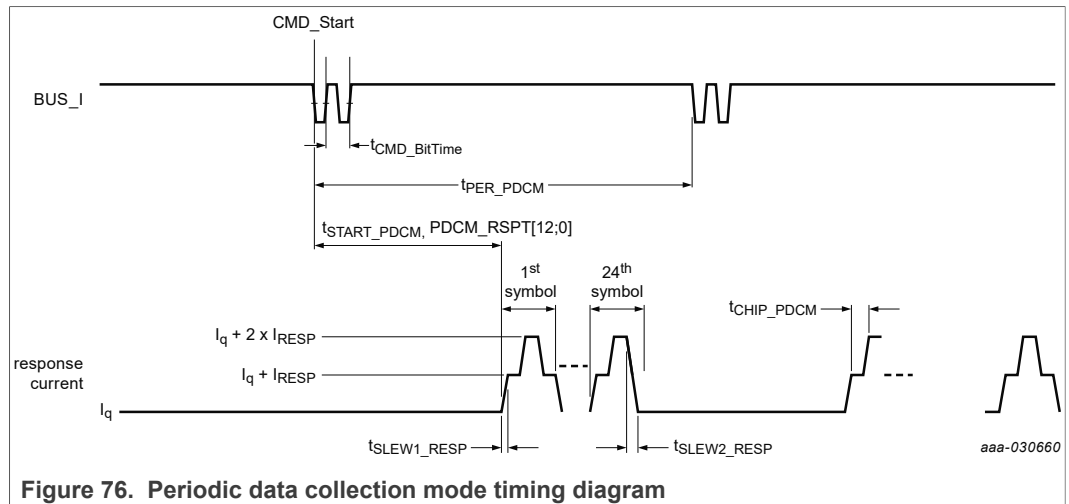


Figure 76. Periodic data collection mode timing diagram

12.4.4 Background diagnostic mode response transmission

12.4.4.1 Symbol encoding

The Background Diagnostic Mode response symbol encoding is the same as the symbol encoding used for Command and Response Mode responses and is described in Section 12.3.2.1.

12.4.4.2 Response message format

The Background Diagnostic Mode response message format is the same as the format used for Command and Response Mode responses and is described in Section 12.3.2.2.

- If a complete 32-bit command is received and decoded to a valid Command and Response Mode command, the device provides a Background Diagnostic Mode response.
- Responses are initiated by the master transmitting 1-bit Broadcast Read Commands following a completed Background Diagnostic Mode command transmission.
- Responses are transmitted in one or two symbol fragments (depending on the state of the BDM\_FRAGSIZE bit) following the 1-bit Broadcast Read Command, using the same timing window within the frame that the Background Diagnostic Mode Command used.
- Responses are transmitted if and only if Broadcast Read Commands are received.

- Four or eight consecutive Broadcast Read Commands are required following a valid Background Diagnostic Mode command to complete a response transmission (depending on the state of the BDM\_FRAGSIZE bit).
- If any command other than the Broadcast Read Command is received, no response is transmitted and the remainder of the Broadcast Read Command response is terminated.
- The data to be transmitted in the response is latched just before the first symbol of the background diagnostic mode response.

See [Figure 77](#) for Background Diagnostic Mode timing.

12.4.4.3 Error checking

The error checking for Background Diagnostic Mode responses is the same as used for Command and Response Mode, and described in [Section 12.3.1.3](#).

12.4.5 DSI3 background diagnostic mode timing

An example timing diagram for background diagnostic mode is shown in [Figure 77](#). In this example, BDM\_FRAGSIZE is set to '1' (4 bits). Timing parameters are specified in [Section 10.11](#).

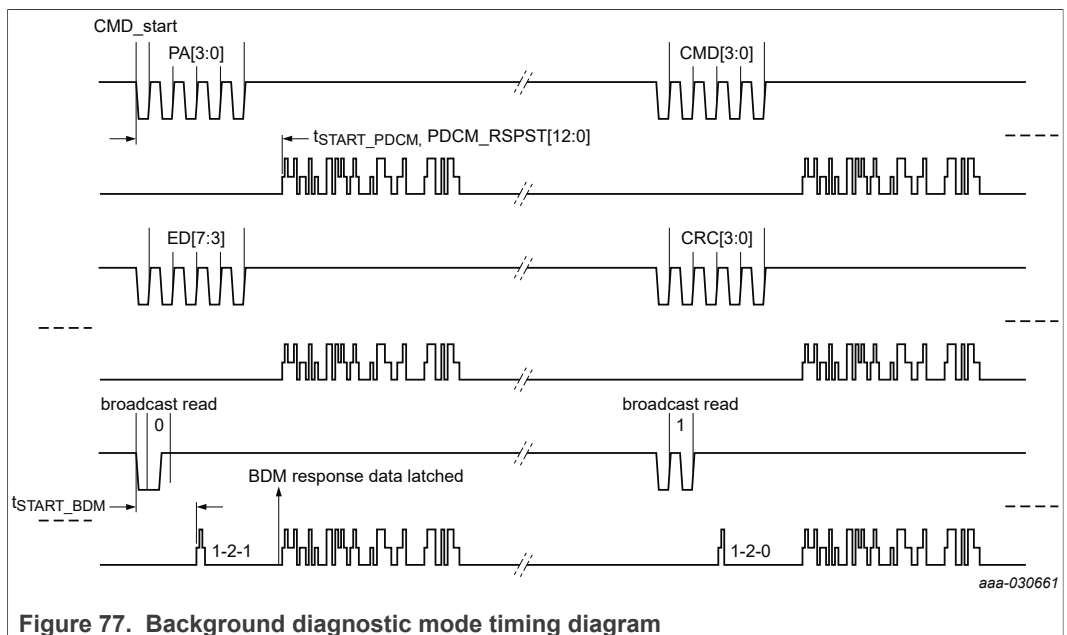


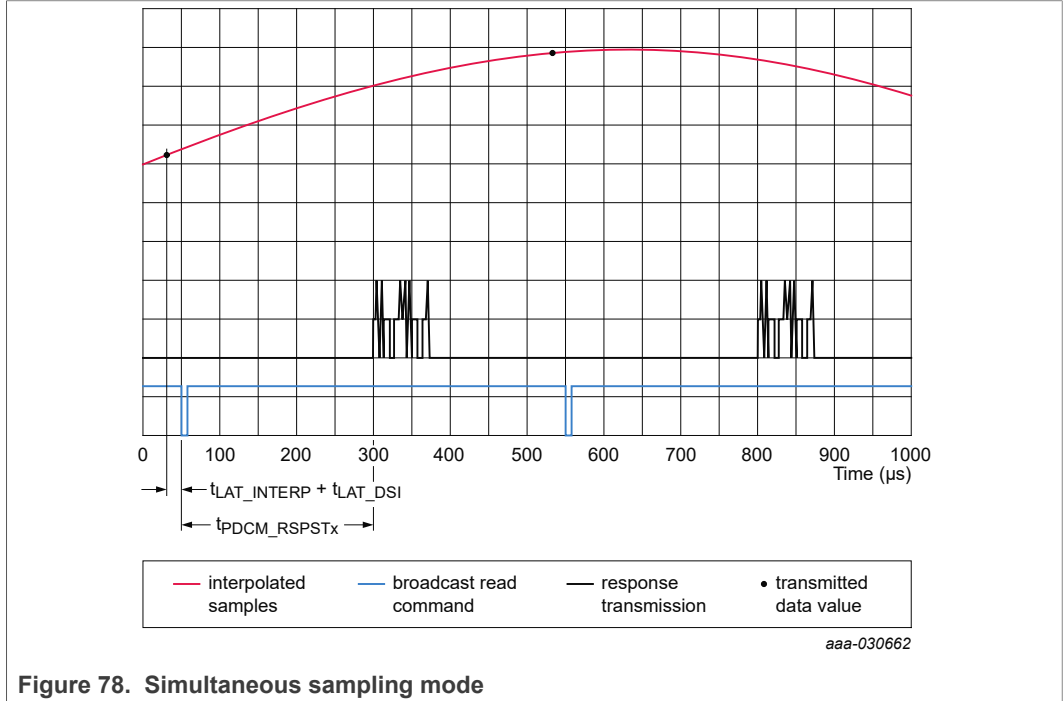
Figure 77. Background diagnostic mode timing diagram

12.4.6 DSI3 periodic data collection mode and background diagnostic mode command summary

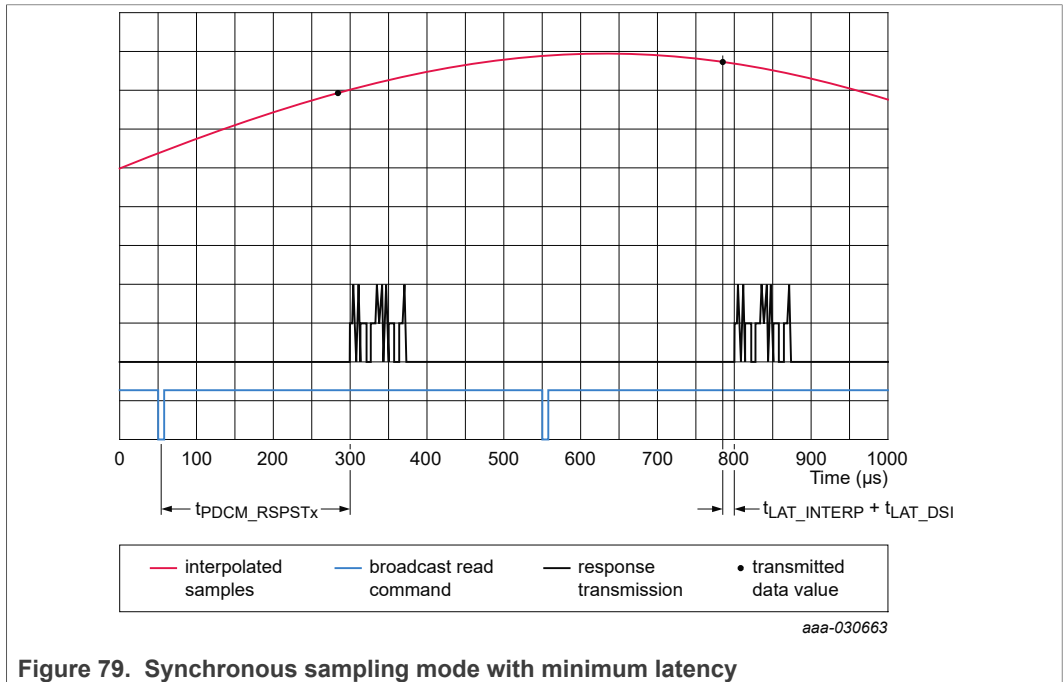
When periodic data collection mode is enabled, the background diagnostic mode supports the register read command as described in the command and response mode command summary, [Section 12.3.4.1](#). The register write command is not supported in background diagnostic mode.

12.4.7 DSI3 PDCM data transmission modes

12.4.7.1 Simultaneous sampling mode (SS\_EN = 1)



12.4.7.2 Synchronous sampling mode with minimum latency (SS\_EN = 0)





## 12.5 Initialization timing

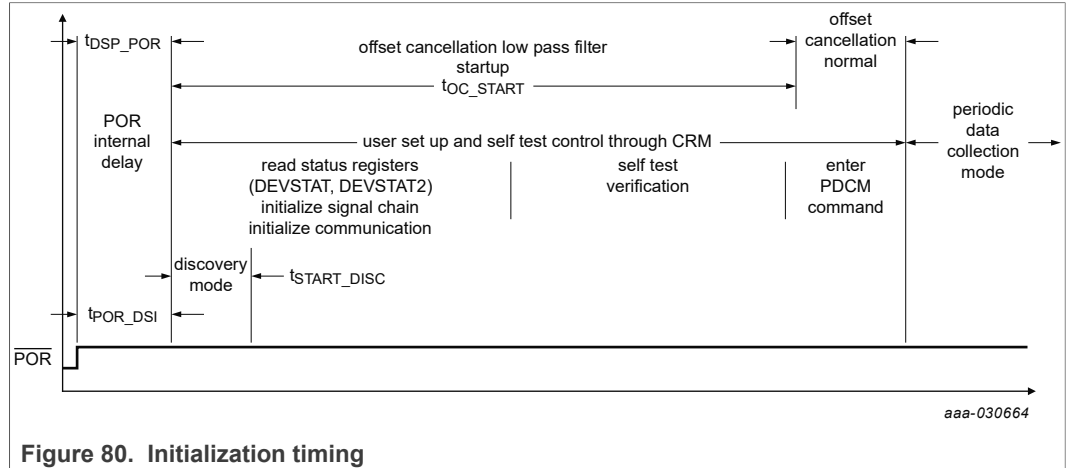


Figure 80. Initialization timing

## 12.6 Maximum number of devices on a network

The theoretical maximum number of devices on a DSI3 network is 16: 1 master and 15 slaves. The practical limit for the number of devices on a bus is dependent on the minimum common capability of the devices on the bus. The capability of the device is different depending on the bus configuration and operating mode. The impact of the device capability on the practical limit for the number of devices on the network is described in this section.

### 12.6.1 Pre-configured, parallel connected network

The number of devices in a pre-configured, parallel connected network is not directly limited by the capability of the device. The practical limit is determined by a combination of the following:

- The capability of the master device, including, but not limited to:
  - The bus operating voltage
  - The bus supply current
  - The bus current limit
  - The bit rate
  - The response current detection capability (distinguishing response current from quiescent current)
- The total quiescent current of all slaves on the network.

### 12.6.2 Bus switch connected daisy chain network

The number of devices in a bus switch connected daisy chain network is not directly limited by the capability of the device. The practical limit is determined by a combination of the following:

- The capability of the master device, including, but not limited to:
  - The bus operating voltage
  - The bus supply current
  - The bus current limit
  - The bit rate
  - The response current detection capability (distinguishing response current from quiescent current)
- The total quiescent current of all slaves on the network.
- The current handling capability and resulting voltage drop of the external bus switches in the network.

**12.6.3 Resistor connected daisy chain network using discovery mode**

The number of devices in a resistor connected daisy chain network is limited by the capability of the device. The maximum number of equivalent devices connected to the BUS\_O pin of a device is 3. This is limited by the total quiescent current drawn from the BUS\_O pin during Discovery Mode ( $I_{BUS\_O\_q}$ ).

The practical limit is determined by a combination of the above restriction and the following:

- The capability of the master device, including, but not limited to:
  - The bus operating voltage
  - The bus supply current
  - The bus current limit
  - The bit rate
  - The response current detection capability (distinguishing response current from quiescent current)
- The total quiescent current of all slaves on the network.
- The maximum allowed quiescent current drawn from the BUS\_O pin of other slaves in the system.
- The resulting voltage drop of the Discovery Mode resistors in all slaves in the network.

**12.7 DSI3 exception handling**

[Table 257](#) summarizes the exception conditions detected by the device and the response for each exception.

**Table 257. Exception conditions and response**

Condition		Description	Device response
exception	PDCM enabled?		
Power-On Reset	N/A	Power Applied	<ul style="list-style-type: none"> <li>• See <a href="#">Section 12.5</a></li> <li>• ST_INCMPLT set, PDCM disabled. The device must be reinitialized</li> </ul>
V <sub>BUS_I</sub> Error	N/A	$V_{BUS\_I} < V_{BUS\_I\_UV\_F}$	<ul style="list-style-type: none"> <li>• Response Current Deactivated</li> <li>• BUSIN_UV_ERR set, PDCM Status set as specified in <a href="#">Section 12.4.2.2</a></li> <li>• The device ignores commands in CRM</li> </ul>

Table 257. Exception conditions and response...continued

Condition		Description	Device response
exception	PDCM enabled?		
V <sub>BUF</sub> Error	N/A	V <sub>BUF</sub> < V <sub>BUF_UV_F</sub>	<ul style="list-style-type: none"> <li>Response Current Deactivated</li> <li>V<sub>BUFUV_ERR</sub> set, PDCM Status set as specified in <a href="#">Section 12.4.2.2</a></li> <li>The device ignores commands in CRM</li> </ul>
Internal Regulator Error	N/A	Internal regulator under-voltage condition	<ul style="list-style-type: none"> <li>The device is held in Reset</li> <li>No response to DSI commands</li> <li>If activated, BUSSW_L is deactivated</li> <li>The device must be reinitialized when the internal regulator returns above the threshold</li> </ul>
OTP Error Detection Fault (Factory Array)	N/A	Error detected in factory programmed OTP array.	<ul style="list-style-type: none"> <li>Periodic Data Collection Mode response data set to error response</li> <li>F_OTP_ERR set, PDCM Status set as specified in <a href="#">Section 12.4.2.2</a></li> </ul>
OTP Error Detection Fault (User Array)	N/A	Error detected in User programmed OTP array and the LOCK_U bit is set.	<ul style="list-style-type: none"> <li>Periodic Data Collection Mode response data set to error response</li> <li>U_OTP_ERR set, PDCM Status set as specified in <a href="#">Section 12.4.2.2</a></li> </ul>
User R/W Array Error Detection Fault	No	N/A	N/A
	Yes	Error detected in user read write registers and the ENDINIT bit is set.	<ul style="list-style-type: none"> <li>Periodic Data Collection Mode response data set to error response</li> <li>U_RW_ERR set, PDCM Status set as specified in <a href="#">Section 12.4.2.2</a></li> </ul>
Self-test Activated	No	ST activated during initialization	<ul style="list-style-type: none"> <li>Internal self-test circuitry enabled</li> <li>Self-test Activation Incomplete status cleared</li> <li>Sensor Data Registers (SNSDATAx_x) contain self-test active data</li> <li>ST_ACTIVE set</li> </ul>
	Yes	ST activated in Periodic Data Collection Mode	<ul style="list-style-type: none"> <li>Periodic Data Collection Mode sensor response data normal</li> <li>Self-test Activation ignored</li> </ul>
Self-test Never Activated after Reset	No	In initialization, before Self-test	<ul style="list-style-type: none"> <li>Normal Responses to Command and Response Mode</li> </ul>
	Yes	In PDCM, Self-test incomplete	<ul style="list-style-type: none"> <li>Periodic Data Collection Mode sensor response data normal</li> <li>ST_INCMPLT set, PDCM Status set as specified in <a href="#">Section 12.4.2.2</a></li> </ul>

### 12.7.1 Daisy chain and discovery mode error handling

[Table 258](#) shows the effect of internal failure modes on the discovery and daisy chain initialization procedures.

Table 258. DSI3 error handling - discovery mode and daisy chain mode

Error condition	Effect on discovery mode	Effect on daisy chain
Supply Error	Discovery Commands Ignored. The device does not participate in Discovery Mode	Daisy Chain Commands Ignored. The device will not participate in Daisy Chain
Memory Error	No Effect. The device attempts to participate in Discovery Mode as programmed.	No Effect. The device will attempt to participate in Daisy Chain as programmed.
Temperature Error	No Effect. The device will attempt to participate in Discovery Mode as programmed.	No Effect. The device will attempt to participate in Daisy Chain as programmed.
Communication Error (Internal)	No Effect. The device participates in Discovery Mode as programmed.	No Effect. The device will participate in Daisy Chain as programmed.
Offset Error	No Effect. The device will participate in Discovery Mode as programmed.	No Effect. The device will participate in Daisy Chain as programmed.
Self-test Incomplete or Self-test Active	Not Applicable.	Not Applicable.
Device Not Locked	No Effect. The device will participate in Discovery Mode as programmed.	No Effect. The device will participate in Daisy Chain as programmed.

## 13 PSI5 protocol

### 13.1 Communication interface overview

The communication interface between a master device and this slave device in PSI5 mode is established via a PSI5 compatible 2-wire interface, with parallel or serial (daisy-chain) connections to the satellite modules. Figure 81 shows one possible system configuration for multiple satellite modules in parallel.

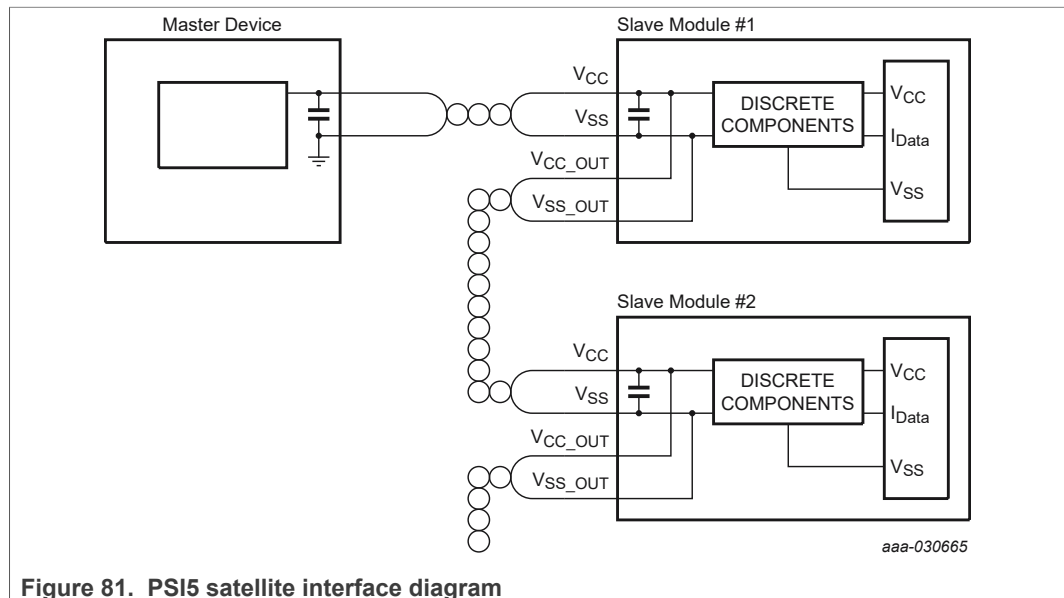


Figure 81. PSI5 satellite interface diagram

### 13.2 Data transmission physical layer

This device uses a two wire interface for both its power supply ( $V_{CC}$ ), and data transmission (IDATA). The PSI5 master supplies a pre-regulated voltage to this device. Data transmissions and synchronization control from the PSI5 master to this device are

accomplished via modulation of the supply voltage. Data transmissions from this device to the PSI5 master are accomplished via modulation of the current on the power supply line.

### 13.2.1 Synchronization pulse

The PSI5 master modulates the supply voltage in the positive direction to provide synchronization of the satellite sensor data. Upon reception of a synchronization pulse, this device delays a specified period of time, called a time slot, before transmitting sensor data. For more details regarding time slots, refer to [Section 11.2.18](#), and [Section 10.12](#).

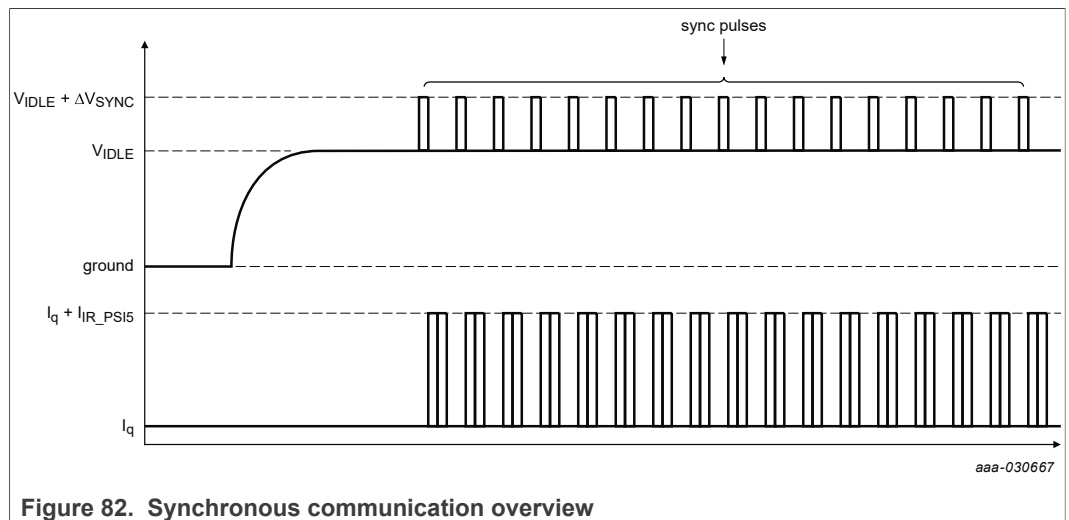


Figure 82. Synchronous communication overview

#### 13.2.1.1 Synchronization pulse detection

The Synchronization (Sync) pulse detection block generates a valid synchronization pulse signal following the detection of an externally generated Sync pulse. This signal resets the Sync pulse time reference ( $t_{TRIG}$ ), and initiates the timers associated with response messages.

The supply voltage can vary throughout the specified range, so the external Sync pulses may have different absolute volt-age levels. Thus, the Sync pulse detection threshold ( $V_{CC\_SYNC}$ ) is dependent not only on the Sync pulse absolute voltage, but also on the supply voltage. [Figure 83](#) shows a block diagram of the Sync pulse detection circuit.

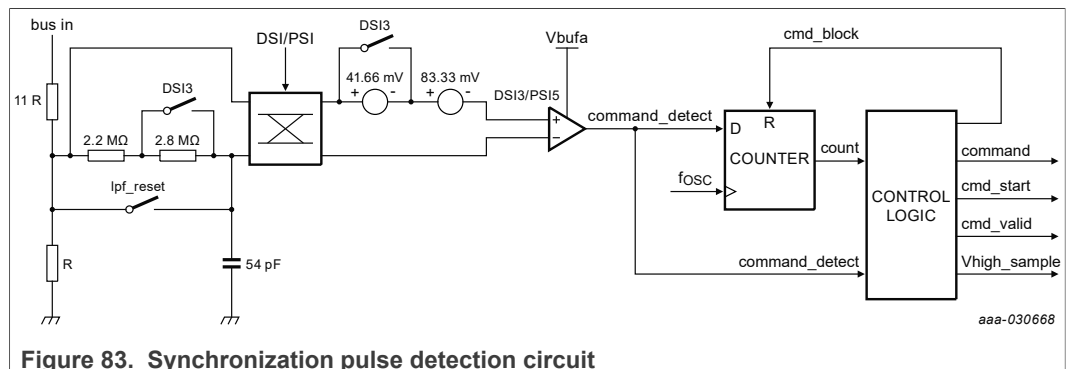


Figure 83. Synchronization pulse detection circuit

The start of a Sync pulse is detected when the comparator output is set. The comparator output is input into a counter, and the counter is updated at a fixed frequency. At a fixed

time after the initial sync pulse detection, the counter is compared against a limit (the minimum value of  $t_{\text{SYNC}}$ ). If the counter is above the limit, a valid sync pulse is detected.

If the Sync pulse is valid, the following occur:

1. The valid Sync pulse detection signal is set.
2. The detection counter is reset and disabled for  $t_{\text{SYNC\_OFF}}$  (referenced from  $t_{\text{TRIG}}$ ).  $t_{\text{SYNC\_OFF}}$  can be programmed by the user via the PDCM\_CMD\_B\_x registers. See [Section 11.2.19](#) for details on the programmable option, and [Section 10.12](#) for timing specifications for each option.
3. The Sync pulse detection low-pass filter is reset for a specified time ( $t_{\text{SYNC\_LPF\_RESET}}$ ).

If the Sync pulse is invalid, all timers are reset, and the detector becomes sensitive within 2  $\mu\text{s}$ .

The output of the comparator is monitored at the SampCLK frequency. Once the comparator output goes high, all of the internal timers are started, so that the  $t_{\text{TRIG}}$  jitter is minimized.

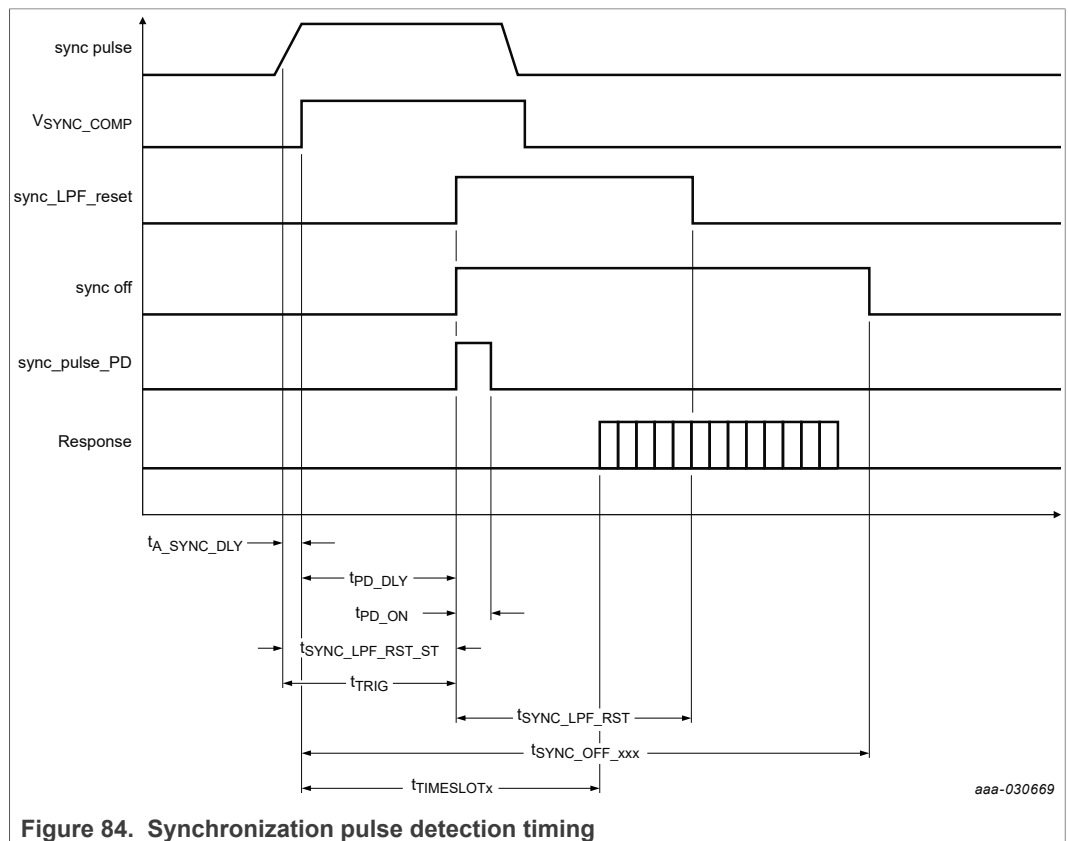


Figure 84. Synchronization pulse detection timing

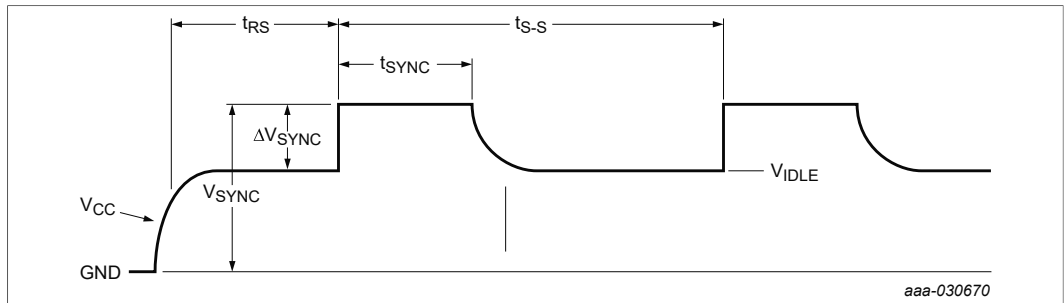


Figure 85. Sync pulse characteristics

13.2.1.2 Synchronization pulse pulldown function

The device includes an optional Sync pulse pulldown function for systems in which the master device does not include an active pull-down function. The device uses the modulation current pulldown circuit, which sinks I<sub>R\_PSI5</sub> additional current from the BUS\_I pin. The pulldown current is activated after t<sub>PD\_DLY</sub> (referenced to t<sub>TRIG</sub>), and is activated for t<sub>PD\_ON</sub>.

The Sync pulse pulldown function is disabled in Programming Mode, in Initialization Phase 1, and in Daisy Chain Mode until the Run Command is received.

13.3 Data transmission data link layer

13.3.1 Bit encoding

The device outputs data by modulation of the V<sub>CC</sub> current using Manchester Encoding. Data is stored in a transition occurring in the middle of the bit time. The signal idles at the normal quiescent supply current. A logic low is defined as an increase in current at the middle of a bit time. A logic high is defined as a decrease in current at the middle of a bit time. There is always a transition in the middle of the bit time. If consecutive "1" or "0" data are transmitted, a transition occurs at the start of a bit time.

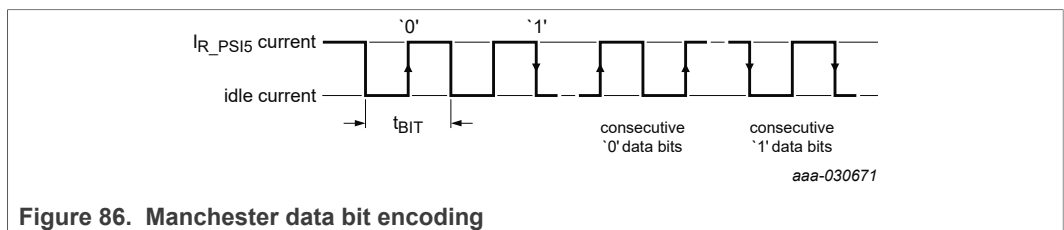
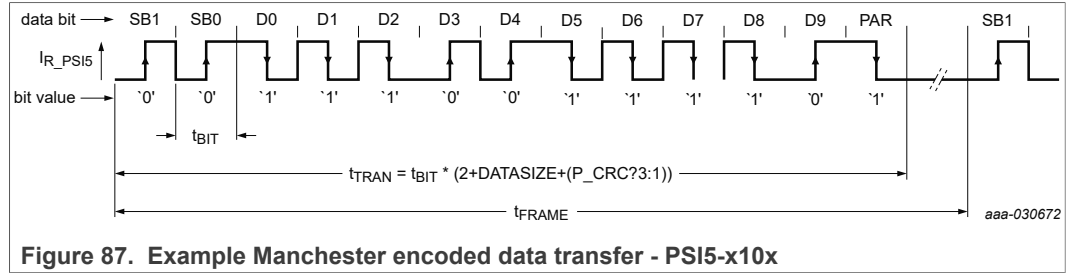


Figure 86. Manchester data bit encoding

13.3.2 PSI5 data transmission

PSI5 data transmission frames are composed of two start bits, a 10-bit data word, and error detection bit(s). Data words are transmitted least significant bit (LSB) first. A typical Manchester-encoded transmission frame is illustrated in [Figure 87](#).



**13.3.2.1 PSI5-x10P transmission mode**

The device can be configured to transmit 10-bit data with parity by setting the PDCMFORMAT bits in the SOURCEID\_x registers and the P\_CRC bit in the PSI5\_CFG register.

**Table 259. PSI5-x10P transmission mode**

Start Bits		Sensor data (See Section 11.6.4.9)										Parity
S2	S1	D0	D1	D2	D3	D4	D5	D6	D7	D8	D9	P

**13.3.2.2 PSI5-x10C transmission mode**

The device can be configured to transmit 10-bit data with 3-bit CRC by setting the PDCMFORMAT bits in the SOURCEID\_x registers and the P\_CRC bit in the PSI5\_CFG register.

**Table 260. PSI5-x10C transmission mode**

Start bits		Sensor data (See Section 11.6.4.9)										CRC		
S2	S1	D0	D1	D2	D3	D4	D5	D6	D7	D8	D9	C2	C1	C0

**13.3.2.3 PSI5-x16P transmission mode**

The device can be configured to transmit 16-bit data with parity by setting the PDCMFORMAT bits in the SOURCEID\_x registers and the P\_CRC bit in the PSI5\_CFG register. In 16-bit mode, the 10-bit initialization data is transmitted in the upper 10-bits of the data packet and the lower 6-bits are all zeros.

**Table 261. PSI5-x16P transmission mode**

Start bits		Sensor data (See Section 11.6.4.9)														Parity		
S2	S1	D0	D1	D2	D3	D4	D5	D6	D7	D8	D9	D10	D11	D12	D13	D14	D15	P
Init Data		0	0	0	0	0	0	10-bit Initialization Data as specified in Section 13.4.2.1										P

**13.3.2.4 PSI5-x16C transmission mode**

The device can be configured to transmit 16-bit data with 3-bit CRC by setting the PDCMFORMAT bits in the SOURCEID\_x registers and the P\_CRC bit in the PSI5\_CFG register. In 16-bit mode, the 10-bit initialization data is transmitted in the upper 10-bits of the data packet and the lower 6-bits are all zeros.

**Table 262. PSI5-x16C transmission mode**

Start bits		Sensor data (See Section 11.6.4.9)														CRC				
S2	S1	D0	D1	D2	D3	D4	D5	D6	D7	D8	D9	D10	D11	D12	D13	D14	D15	C2	C1	C0



**Table 262. PSI5-x16C transmission mode...continued**

Start bits		Sensor data (See <a href="#">Section 11.6.4.9</a> )									CRC			
Init Data	0	0	0	0	0	0	0	0	0	0	10-bit Initialization Data as specified in <a href="#">Section 13.4.2.1</a>	C2	C1	C0

**13.3.3 Error detection**

Error detection of the transmitted data is accomplished via either a parity bit, or a 3-bit CRC. The type of error detection used is selected by the P\_CRC bit in the PSI5\_CFG register.

**13.3.3.1 Parity error detection**

When parity error detection is selected, even parity is employed. The number of logic '1' bits in the transmitted message must be an even number.

**13.3.3.2 3-bit CRC error detection**

When CRC error detection is selected, a 3-bit CRC is appended to each response message. The 3-bit CRC uses a generator polynomial of  $g(x) = X^3 + X + 1$ , with a non-direct seed value = '111'. Message data from the transmitted message is read into the CRC calculator LSB first, and the data is augmented with '000'. Start bits are not used in the CRC calculation. [Table 263](#) shows some example CRC calculation values for 10-bit data transmissions.

**Table 263. PSI5 3-bit CRC calculation examples**

HEX	Data transmitted										CRC		
	D9	D8	D7	D6	D5	D4	D3	D2	D1	D0	C2	C1	C0
0x000	0	0	0	0	0	0	0	0	0	0	1	1	0
0x0CC	0	0	1	1	0	0	1	1	0	0	0	1	1
0x151	0	1	0	1	0	1	0	0	0	1	0	0	0
0x1E0	0	1	1	1	1	0	0	0	0	0	0	1	1
0x1F4	0	1	1	1	1	1	0	1	0	0	0	1	0
0x220	1	0	0	0	1	0	0	0	0	0	1	0	0
0x275	1	0	0	1	1	1	0	1	0	1	1	1	1
0x333	1	1	0	0	1	1	0	0	1	1	0	0	1
0x3FF	1	1	1	1	1	1	1	1	1	1	1	0	0

**13.3.4 PSI5 data field and data range values**

[Table 264](#) shows the details for each data range. The PSI5 data field size is defined by the PDCMFORMAT bits in the SOURCEID\_x registers as described in [Section 11.2.13.2](#).

**Table 264. PSI5 data values**

16-bit data values		10-bit data value			Description (EMSG_EXT = 1 in PSI5_CFG)	Description (EMSG_EXT = 0 in PSI5_CFG)
Dec	Hex	Dec	Binary	Hex		
+32704	7FC0	+511		1FF	Reserved	Reserved
+32640	7F80	+510		1FE		

**Table 264. PSI5 data values...continued**

16-bit data values		10-bit data value			Description (EMSG_EXT = 1 in PSI5_CFG)	Description (EMSG_EXT = 0 in PSI5_CFG)
Dec	Hex	Dec	Binary	Hex		
+32576	7F40	+509		1FD		
+32512	7F00	+508		1FC		
+32448	7EC0	+507		1FB		
+32384	7E80	+506		1FA		
+32320	7E40	+505		1F9		
+32256	7E00	+504		1F8		
+32192	7DC0	+503		1F7		
+32128	7D80	+502		1F6		
+32064	7D40	+501		1F5		
+32000	7D00	+500		1F4	Reserved	Sensor Defect Error
+31936	7CC0	+499		1F3	Reserved	Reserved
+31872	7C80	+498		1F2		
+31808	7C40	+497		1F1		
+31744	7C00	+496		1F0		
+31680	7BC0	+495		1EF	Communication Error (OSCTRAIN_ERR bit)	Reserved (Error Mapped to 0x1F4)
+31616	7B80	+494		1EE	Test Mode Enabled (TESTMODE bit set)	
+31552	7B40	+493		1ED	Offset Error (CH0 or CH1 OFFSET_ERR bit set)	
+31488	7B00	+492		1EC	Temperature Error (TEMP0_ERR or TEMP1_ERR bit set)	
+31424	7AC0	+491		1EB	Memory Error (F_OTP_ERR, U_OTP_ERR or U_RW_ERR set)	
+31360	7A80	+490		1EA	Sensor Self-test Error (CH0 or CH1 ST_ERROR bit set)	Sensor Self-test Error
+31296	7A40	+489		1E9	Reserved	Reserved
+31232	7A00	+488		1E8	Sensor Busy	Sensor Busy
+31168	79C0	+487		1E7	Sensor Ready	Sensor Ready
+31104	7980	+486		1E6	Sensor Ready, but Unlocked	Sensor Ready, but Unlocked
+31040	7940	+485		1E5	Reserved	Reserved
+30976	7900	+484		1E4		
+30912	78C0	+483		1E3		
NA	NA	+482		1E2	Bidirectional Communication: RC "Error"	Bidirectional Communication: RC "Error"

**Table 264. PSI5 data values...continued**

16-bit data values		10-bit data value			Description (EMSG_EXT = 1 in PSI5_CFG)	Description (EMSG_EXT = 0 in PSI5_CFG)
Dec	Hex	Dec	Binary	Hex		
NA	NA	+481		1E1	Bidirectional Communication: RC "OK"	Bidirectional Communication: RC "OK"
+30720	7800	+480		1E0	Maximum positive sensor value	Maximum positive sensor value
.	.	.		.	Positive sensor values	Positive sensor values
.	.	.		.		
.	.	.		.		
+129 to +192	0081 to 00C0	+3		003		
+65 to +128	0041 to 0080	+2		002		
+1 to +64	0001 to 0040	+1		001		
0	0000	0		000	Zero	Zero
-1 to -64	FFFF to FFC0	-1		3FF	Negative sensor values	Negative sensor values
-65 to -128	FFBF to FF80	-2		3FE		
-129 to -192	FF7F to FF40	-3		3FD		
.	.	.		.		
.	.	.		.		
.	.	.		.		
-30720	8800	-480		220	Maximum negative sensor value	Maximum negative sensor value
-30784	87C0	-481	1000011111	21F	Initialization Data Codes	10-bit Status Data Nibble 1 - 16 (0000 - 1111) (Dx)
.	.	.	.	.		
.	.	.	.	.		
-31744	8400	-496	1000010000	210		
-31808	83C0	-497	1000001111	20F	Initialization Data IDs	Block ID 1 - 16 (10-bit Mode) (IDx)
.	.	.	.	.		
.	.	.	.	.		
-32767	8000	-512	1000000000	200		

### 13.4 Initialization

Following power-up, the device proceeds through an initialization process which is divided into 3 phases:

- Initialization Phase 1: No Data transmissions occur
- Initialization Phase 2: Sensor self-test and transmission of configuration information
- Initialization Phase 3: Transmission of the "Sensor Busy" and / or "Sensor Ready" / "Sensor Defect" messages

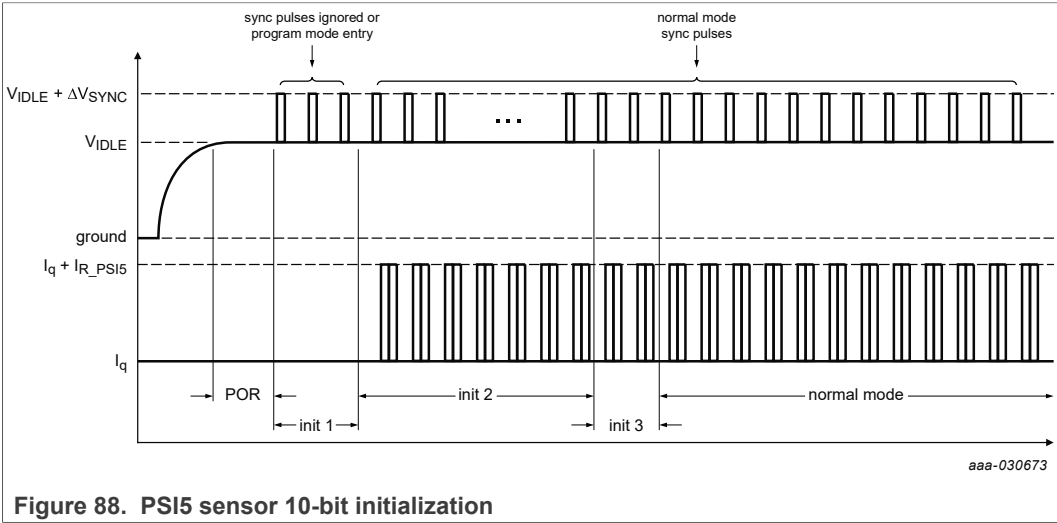
Once initialization is completed the device begins normal mode operation, which continues as long as the supply voltage remains within the specified limits.

In asynchronous mode, initialization data is transmitted for Source ID 0 only.

In synchronous mode, the initialization data is transmitted independently for each channel.

In daisy chain mode, initialization data is transmitted in the Source ID 0 and Source ID 2 time slot as defined by the sensor address as documented in [Section 13.8](#).

In Dual Transmission mode, initialization data is transmitted for both Source ID 0 and Source ID 2 in the Source ID 0 timeslot as documented in [Section 13.7](#).



**Figure 88. PSI5 sensor 10-bit initialization**

During PSI5 initialization, the device completes an internal initialization process consisting of the following:

- Power-on reset
- Device Initialization
- Program mode entry verification
- Offset cancellation low-pass filter initialization
- Self-test

[Figure 89](#) shows the timing for internal and external initialization in synchronous mode.

[Figure 90](#) shows the timing for internal and external initialization in asynchronous mode.

Timing parameters are specified in [Section 10.12](#).

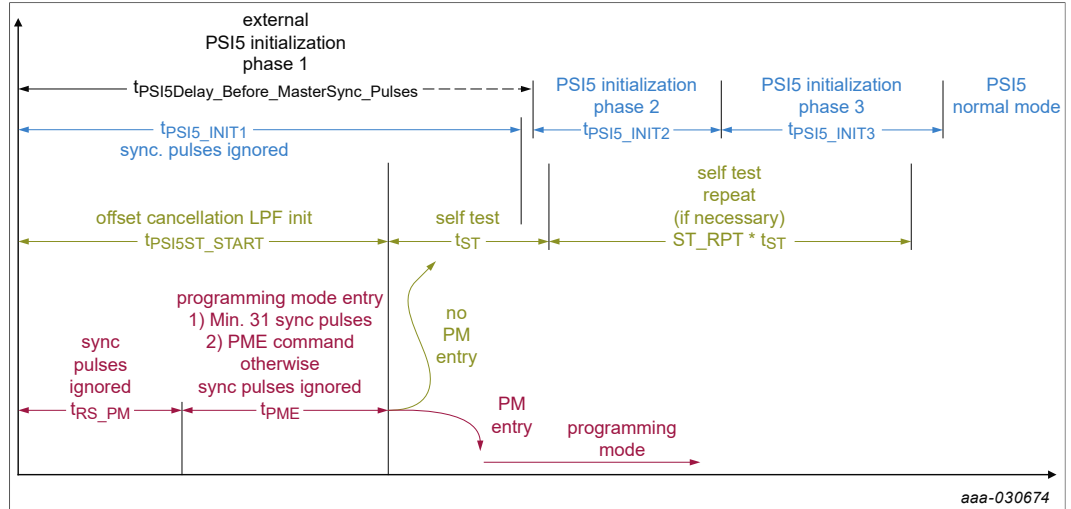


Figure 89. PSI5 initialization timing, synchronous mode

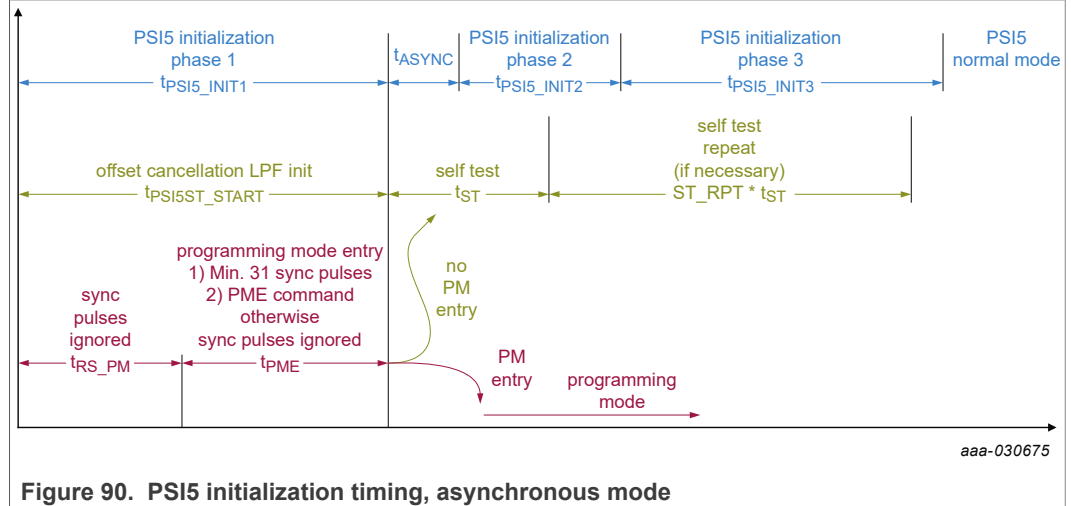


Figure 90. PSI5 initialization timing, asynchronous mode

13.4.1 PSI5 initialization phase 1

During PSI5 initialization phase 1, the device begins internal initialization and self-checks, but transmits no data. Initialization begins with this sequence, shown in [Figure 89](#):

1. Internal delay to ensure analog circuitry has stabilized ( $t_{POR\_PSI5}$ )
2. Offset cancellation low-pass filter initialization begins ( $t_{PSI5ST\_START}$ )
3. Monitor for the Programming Mode Entry Sequence ( $t_{PME}$ )
4. If the Programming Mode Entry Sequence is not detected, the device enters Initialization Phase 2 ( $t_{PSI5\_INIT2}$ )

13.4.2 PSI5 initialization phase 2

During PSI5 initialization phase 2, the device continues its internal selfchecks and transmits the PSI5 initialization phase 2 data. Initialization data is transmitted using the initialization data codes and IDs specified in [Table 264](#), and in the order shown in [Table 265](#).

**Table 265. PSI5 initialization phase 2 data transmission order**

D1						D2						...	D32								
ID1 <sub>1</sub>	D1 <sub>1</sub>	ID1 <sub>2</sub>	D1 <sub>2</sub>	...	ID1 <sub>k</sub>	D1 <sub>k</sub>	ID2 <sub>1</sub>	D2 <sub>1</sub>	ID2 <sub>2</sub>	D2 <sub>2</sub>	...	ID2 <sub>k</sub>	D2 <sub>k</sub>	...	ID32 <sub>1</sub>	D32 <sub>1</sub>	ID32 <sub>2</sub>	D32 <sub>2</sub>	...	ID32 <sub>k</sub>	D32 <sub>k</sub>
Repeat k times						Repeat k times						...	Repeat k times								

The Initialization phase 2 time is calculated using [Equation 17](#).

$$t_{Phase2} = Trans_{Nibble} \times k \times (DataFields) \times t_{S-S} \tag{17}$$

Where:

- $Trans_{Nibble}$  = # of Transmissions per Data Nibble  
2: 1 for ID, and 1 for Data
- $k$  = The repetition rate for the data fields
- $Data\ Fields$  = 32 data fields or 48 data fields (if INIT2\_EXT is set)
- $t_{S-S}$  = Sync Pulse Period

**13.4.2.1 PSI5 initialization phase 2 data transmissions**

In PSI5 initialization phase 2, the device transmits a sequence of sensor specific configuration and serial number information. The transmission data is in conformance with the PSI5<sup>[5]</sup> specification, and AKLV27<sup>[3]</sup>. Unique data content is transmitted for each channel. The data content and transmission format is shown in [Table 267](#) and [Table 268](#). [Table 266](#) shows the phase 2 timing for different operating modes. Times are calculated using the equation in [Section 13.4.2](#).

**Table 266. Initialization phase 2 time**

Operating mode	Repetition rate (k)	# of transmissions	Nominal phase 2 time
Asynchronous Mode (228 μs)	8	512	116.7 ms
Synchronous Mode (500 μs)	4	256	128.0 ms

**Table 267. Channel 0 PSI5 initialization phase 2 data**

PSI5 field ID #	PSI5 nibble ID #	Page address	PSI5 nibble address	Register address	PSI5 description	Value
F1	D1	0	0000	USERDATA_0[3:0]	User Specific Data	User
F2	D2, D3		0001, 0010	NA	Number of Data Blocks: 32: INIT2_EXT = 0, 48: INIT2_EXT = 1	0010 0000 or 0011 0000
F3	D4, D5		0011, 0100	USERDATA_1[3:0], USERDATA_1[7:4]	User Specific Data	User
F4	D6, D7		0101, 0110	USERDATA_2[3:0], USERDATA_2[7:4]	User Specific Data	User
F5	D8		0111	USERDATA_3[3:0]	User Specific Data	User
	D9		1000	USERDATA_3[7:4]	User Specific Data	User
F6	D10		1001	USERDATA_4[3:0]	User Specific Data	User
	D11		1010	USERDATA_4[7:4]	User Specific Data	User
F7	D12		1011	USERDATA_5[3:0]	User Specific Data	User
	D13		1100	USERDATA_5[7:4]	User Specific Data	User
	D14		1101	USERDATA_6[3:0]	User Specific Data	User
F8	D15		1110	USERDATA_7[3:0]	User Specific Data	User
	D16		1111	USERDATA_7[7:4]	User Specific Data	User
	D17		1	0000	USERDATA_8[3:0]	User Specific Data
	D18	0001		USERDATA_8[7:4]	User Specific Data	User

Table 267. Channel 0 PSI5 initialization phase 2 data...continued

PSI5 field ID #	PSI5 nibble ID #	Page address	PSI5 nibble address	Register address	PSI5 description	Value
F9	D19		0010	SN4[7:4] or USERDATA_6[7:4]	Data determined by PSI5_INIT2_D19 in TIMING_CFG2 register	User
	D20		0011	SN4[3:0] or USERDATA_E[7:4]	Data determined by PSI5_INIT2_D19 in TIMING_CFG2 register	User
	D21		0100	SN3[7:4]	Device Serial Number	Factory
	D22		0101	SN3[3:0]	Device Serial Number	Factory
	D23		0110	SN2[7:4]	Device Serial Number	Factory
	D24		0111	SN2[3:0]	Device Serial Number	Factory
	D25		1000	SN1[7:4]	Device Serial Number	Factory
	D26		1001	SN1[3:0]	Device Serial Number	Factory
	D27		1010	SN0[7:4]	Device Serial Number	Factory
	D28		1011	SN0[3:0]	Device Serial Number	Factory
	D29		1100	PN1[3:0]	Device Part Number	Factory
	D30		1101	PN0[7:4]	Device Part Number	Factory
	D31		1110	PN0[3:0]	Device Part Number	Factory
	D32		1111	USERDATA_6[7:4]	User Specific Data	User
F10	D33	2	0000	CH0_STAVG_P[7:4]	Channel 0 Positive Self-test, High Nibble	Varies
	D34		0001	CH0_STAVG_P[3:0]	Channel 0 Positive Self-test, Low Nibble	Varies
	D35		0010	CH0_STOFFSET_P[7:4]	Channel 0 Post Positive Self-test Offset, High Nibble	Varies
	D36		0011	CH0_STOFFSET_P[3:0]	Channel 0 Post Positive Self-test Offset, Low Nibble	Varies
	D37		0100	CH0_STAVG_N[7:4]	Channel 0 Negative Self-test, High Nibble	Varies
	D38		0101	CH0_STAVG_N[3:0]	Channel 0 Negative Self-test, Low Nibble	Varies
	D39		0110	CH0_STOFFSET_N[7:4]	Channel 0 Post Negative Self-test Offset, High Nibble	Varies
	D40		0111	CH0_STOFFSET_N[3:0]	Channel 0 Post Negative Self-test Offset, Low Nibble	Varies
	D41		1000	CH1_STAVG_P[7:4]	Channel 1 Positive Self-test, High Nibble	Varies
	D42		1001	CH1_STAVG_P[3:0]	Channel 1 Positive Self-test, Low Nibble	Varies
	D43		1010	CH1_STOFFSET_P[7:4]	Channel 1 Post Positive Self-test Offset, High Nibble	Varies
	D44		1011	CH1_STOFFSET_P[3:0]	Channel 1 Post Positive Self-test Offset, Low Nibble	Varies
	D45		1100	CH1_STAVG_N[7:4]	Channel 1 Negative Self-test, High Nibble	Varies
	D46		1101	CH1_STAVG_N[3:0]	Channel 1 Negative Self-test, Low Nibble	Varies
	D47		1110	CH1_STOFFSET_N[7:4]	Channel 1 Post Negative Self-test Offset, High Nibble	Varies
	D48		1111	CH1_STOFFSET_N[3:0]	Channel 1 Post Negative Self-test Offset, Low Nibble	Varies

Table 268. Channel 1 PSI5 Initialization Phase 2 Data

PSI5 field ID #	PSI5 nibble ID #	Page address	PSI5 nibble address	Register address	Description	Value
F1	D1	0	0000	USERDATA_0[7:4]	User Specific Data	User
F2	D2, D3		0001, 0010	NA	Number of Data Blocks: 32: INIT2_EXT = 0, 48: INIT2_EXT = 1	0010 0000 or 0011 0000
F3	D4, D5		0011, 0100	USERDATA_9[3:0], USERDATA_9[7:4]	User Specific Data	User
F4	D6, D7		0101, 0110	USERDATA_A[3:0], USERDATA_A[7:4]	User Specific Data	User
F5	D8		0111	USERDATA_B[3:0]	User Specific Data	User
	D9		1000	USERDATA_B[7:4]	User Specific Data	User
F6	D10		1001	USERDATA_C[3:0]	User Specific Data	User
	D11		1010	USERDATA_C[7:4]	User Specific Data	User

**Table 268. Channel 1 PSI5 Initialization Phase 2 Data...continued**

PSI5 field ID #	PSI5 nibble ID #	Page address	PSI5 nibble address	Register address	Description	Value
F7	D12		1011	USERDATA_D[3:0]	User Specific Data	User
	D13		1100	USERDATA_D[7:4]	User Specific Data	User
	D14		1101	USERDATA_E[3:0]	User Specific Data	User
F8	D15	1	1110	USERDATA_7[3:0]	User Specific Data	User
	D16		1111	USERDATA_7[7:4]	User Specific Data	User
	D17		0000	USERDATA_8[3:0]	User Specific Data	User
	D18		0001	USERDATA_8[7:4]	User Specific Data	User
F9	D19		0010	SN4[7:4] or USERDATA_6[7:4]	Data determined by PSI5_INIT2_D19 in TIMING_CFG2 register	User
	D20		0011	SN4[3:0] or USERDATA_E[7:4]	Data determined by PSI5_INIT2_D19 in TIMING_CFG2 register	User
	D21		0100	SN3[7:4]	Device Serial Number	Factory
	D22		0101	SN3[3:0]	Device Serial Number	Factory
	D23		0110	SN2[7:4]	Device Serial Number	Factory
	D24		0111	SN2[3:0]	Device Serial Number	Factory
	D25		1000	SN1[7:4]	Device Serial Number	Factory
	D26		1001	SN1[3:0]	Device Serial Number	Factory
	D27		1010	SN0[7:4]	Device Serial Number	Factory
	D28		1011	SN0[3:0]	Device Serial Number	Factory
	D29		1100	PN1[3:0]	Device Part Number	Factory
	D30		1101	PN0[7:4]	Device Part Number	Factory
	D31		1110	PN0[3:0]	Device Part Number	Factory
	D32		1111	USERDATA_E[7:4]	User Specific Data	User
	F10		D33	2	0000	CH0_STAVG_P[7:4]
D34		0001	CH0_STAVG_P[3:0]		Channel 0 Positive Self-test, Low Nibble	Varies
D35		0010	CH0_STOFFSET_P[7:4]		Channel 0 Post Positive Self-test Offset, High Nibble	Varies
D36		0011	CH0_STOFFSET_P[3:0]		Channel 0 Post Positive Self-test Offset, Low Nibble	Varies
D37		0100	CH0_STAVG_N[7:4]		Channel 0 Negative Self-test, High Nibble	Varies
D38		0101	CH0_STAVG_N[3:0]		Channel 0 Negative Self-test, Low Nibble	Varies
D39		0110	CH0_STOFFSET_N[7:4]		Channel 0 Post Negative Self-test Offset, High Nibble	Varies
D40		0111	CH0_STOFFSET_N[3:0]		Channel 0 Post Negative Self-test Offset, Low Nibble	Varies
D41		1000	CH1_STAVG_P[7:4]		Channel 1 Positive Self-test, High Nibble	Varies
D42		1001	CH1_STAVG_P[3:0]		Channel 1 Positive Self-test, Low Nibble	Varies
D43		1010	CH1_STOFFSET_P[7:4]		Channel 1 Post Positive Self-test Offset, High Nibble	Varies
D44		1011	CH1_STOFFSET_P[3:0]		Channel 1 Post Positive Self-test Offset, Low Nibble	Varies
D45		1100	CH1_STAVG_N[7:4]		Channel 1 Negative Self-test, High Nibble	Varies
D46		1101	CH1_STAVG_N[3:0]		Channel 1 Negative Self-test, Low Nibble	Varies
D47		1110	CH1_STOFFSET_N[7:4]		Channel 1 Post Negative Self-test Offset, High Nibble	Varies
D48		1111	CH1_STOFFSET_N[3:0]		Channel 1 Post Negative Self-test Offset, Low Nibble	Varies

**Note:** Offset and self-test data in Field ID #10 is only transmitted if the internal self-test for the associated channel has completed and has passed before F10, D33 is to be transmitted. This can only occur if the internal self-test sequence passes the first time. If F10, D33 is to be transmitted before the internal self-test has completed for a specific channel, the latest self-test, and offset values are transmitted.



**Note:** If self-test has completed all retries and has failed before F10, D33 is to be transmitted, F10, D33 - D48 will include self-test data from the last failed attempt.

**Note:** In PSI5 asynchronous mode, self-test will not be complete prior to the transmission of the F10. Setting the INIT2\_EXT bit will result in invalid self-test data in D33 and D34 (0x0 values).

**Note:** Constant values are transmitted for all fields marked as "RESERVED"

### 13.4.3 Internal self-test

Once Initialization Phase 1 completes, the device begins its internal self-test as described in [Section 11.6.2.5](#). If self-test fails, the device repeats self-test up to ST\_RPT times.

### 13.4.4 Initialization phase 3

During PSI5 initialization phase 3, the device completes its internal self-checks, and transmits a combination of "Sensor Busy" or "Sensor Ready" messages as defined in [Table 264](#). The number of "Sensor Busy" messages transmitted in initialization phase 3 varies depending on the mode of operation, and the number of self-test repetitions. Self-test is repeated on failure up to ST\_RPT times to provide immunity to misuse inputs during initialization. Self-test terminates successfully after one successful self-test sequence.

Once internal self-test is completed, the device transmits 2 "Sensor Ready" commands.

**Note:** Self-test repeats are handled independently for each channel. However, both channels will exit initialization phase 3 simultaneously. If only one channel is repeating self-tests, both channels transmit "Sensor Busy" commands until either self-test has passed on both channels or the total number of repeats have completed.

The ENDINIT bit is automatically set when the device exits Initialization Phase 3.

## 13.5 Normal mode

### 13.5.1 Asynchronous mode

The device can be programmed to respond in asynchronous mode as specified in [Section 11.2.18.1](#).

In asynchronous mode, the device transmits data at a fixed rate ( $t_{ASYNC}$ ) and will not respond to normal sync pulses. However, during initialization phase 1, the device will monitor sync pulses to decode the programming mode entry command and allow entry into programming mode.

### 13.5.2 Simultaneous sampling mode

The device can be programmed to respond in simultaneous sampling mode by programming the SS\_EN bit to "Simultaneous Sampling Mode".

In simultaneous sampling mode, the most recent interpolated sensor data sample is latched at  $t_{TRIG}$  (rising edge of Sync Pulse) and transmitted starting at the time programmed in the PDCM\_RSPSTx registers, relative to  $t_{TRIG}$ .

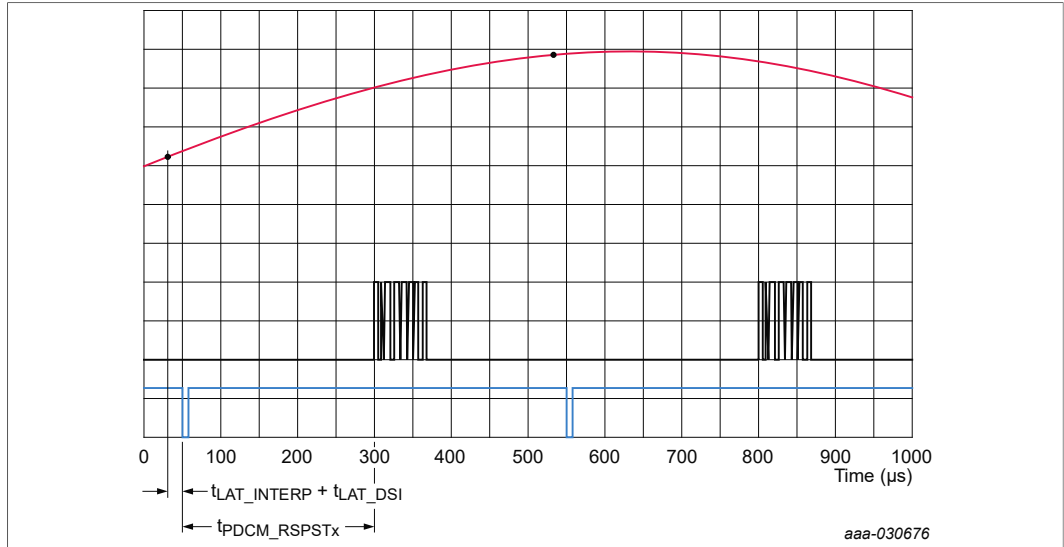


Figure 91. Simultaneous sampling mode

13.5.3 Synchronous sampling mode with minimum latency

The device can be programmed to respond in synchronous sampling mode with minimum latency by programming the SS\_EN bit to "Synchronous Sampling Mode".

In synchronous sampling mode, the most recent interpolated sensor data sample is latched at the time programmed in the PDCM\_RSPSTx registers, relative to tTRIG (rising edge of Sync pulse). The data is transmitted starting at the time programmed in the PDCM\_RSPSTx registers, relative to tTRIG.

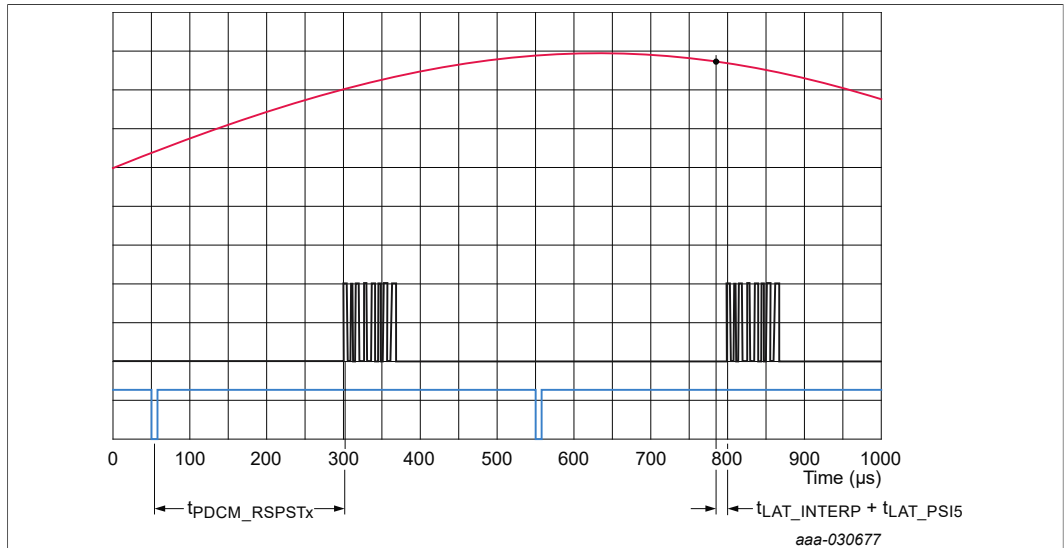


Figure 92. Synchronous sampling mode with minimum latency

13.6 PSI5 default mode (un-programmed PSI5 device)

Un-programmed FXLS93xxx PSI5 devices include a default PSI5 transmission mode. The devices will respond to PSI5 sync pulses and transmit data in PSI5-P16C-500/2L mode with the minimum user gain and the default 400 Hz, 4-Pole low-pass filter.

Table 269 shows the default PSI5 response transmission, Table 270 shows the PSI5 timing parameters, and Table 271 and Table 272 show the sensor data configuration details for each channel.

The default settings apply until the UF2 user OTP memory is written and the UF2 block is locked.

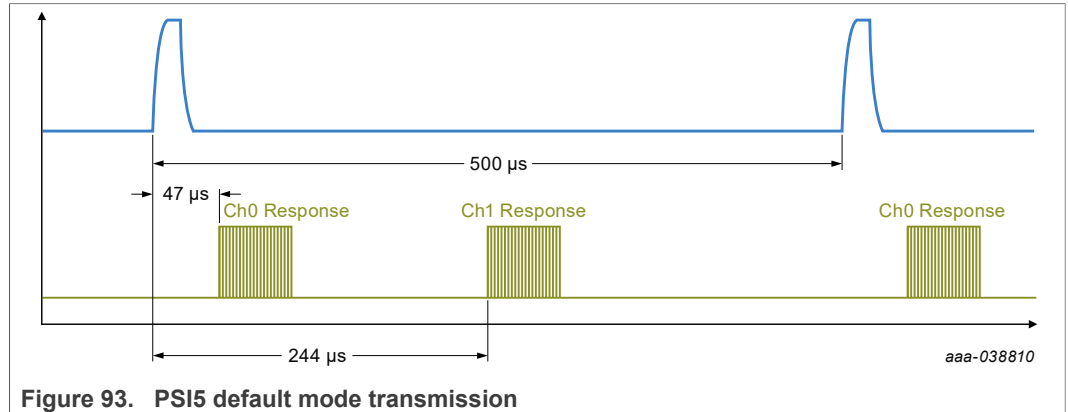


Figure 93. PSI5 default mode transmission

Table 269. Default PSI5-P16C transmission mode

Start bits		Sensor data (See Section 11.6.4.9)														CRC				
S2	S1	D0	D1	D2	D3	D4	D5	D6	D7	D8	D9	D10	D11	D12	D13	D14	D15	C2	C1	C0
Init Data		0	0	0	0	0	0	10-bit Initialization Data as specified in Section 13.4.2.1										C2	C1	C0

Table 270. Default PSI5-P16C transmission mode timing parameters

Parameter	Default typical value	Default register bit values
Ch0 Time Slot	47 µs	\$27, \$26: \$PDCM_RSPST0 = 0x002F
Ch1 Time Slot	244 µs	\$2B, \$2A: \$PDCM_RSPST1 = 0x00F4
Data Size	16-bit	\$1A: SOURCEID_0[6:4] = 3'b100
Error Checking	3-bit CRC	\$25: PSI5_CFG[2] = 1'b1
Baud Rate	Low Baud Rate: 125 kB/s, Bit Time = 8.0 µs	\$23: CHIPTIME[3:0] = 3'b1000

Table 271. Default PSI5-P16C transmission mode, High g sensor data configuration

Parameter	Value	Default register bit values
Sensor Data Range	702.6 g	\$40, \$48: CHx_CFG_U1[1:0] = 2'b00
Sensor Data Sensitivity	43.79 LSB/g	\$41, \$49: CHx_CFG_U2[7:0] = 0x00
Sensor data low-pass filter	400 Hz, 4-Pole LPF	\$40, \$48: CHx_CFG_U1[7:4] = 4'b0000
Sensor data offset cancellation	0.04 Hz, 1-Pole HPF with Rate Limiting Enabled	\$43, \$4B: CHx_CFG_U4[5:4] = 2'b00

**Table 272. Default PSI5-P16C transmission mode, Medium g sensor data configuration**

Parameter	Value	Default register bit values
Sensor data range	232.6 g	\$40, \$48: CHx_CFG_U1[1:0] = 2'b00
Sensor data sensitivity	132.06 LSB/g	\$41, \$49: CHx_CFG_U2[7:0] = 0x00
Sensor data low-pass filter	400 Hz, 4-Pole LPF	\$40, \$48: CHx_CFG_U1[7:4] = 4'b0000
Sensor data offset cancellation	0.04 Hz, 1-Pole HPF with Rate Limiting Enabled	\$43, \$4B: CHx_CFG_U4[5:4] = 2'b00

### 13.7 Dual transmission mode

The device can be programmed to transmit both channel 0 and channel 1 data in one data packet if the DUALTRANS bit is set in the PSI5\_CFG register. In dual transmission mode, the source identification settings specified in [Section 11.2.17.4](#) determine the data transmitted as shown in [Table 273](#) through [Table 276](#).

**Table 273. Dual transmission mode 10-bit transmission data with parity**

SID1_EN	SID0_EN	Response start time	Response format																						
0	0	PDCM_RSTST0	No Transmission																						
		PDCM_RSTST1	No Transmission																						
0	1	PDCM_RSTST0	Start Bits	CH1_SNSDATA0										CH0_SNSDATA0										Parity	
			S2	S1	D0	D1	D2	D3	D4	D5	D6	D7	D8	D9	D0	D1	D2	D3	D4	D5	D6	D7	D8	D9	P
		PDCM_RSTST1	No Transmission																						
1	0	PDCM_RSTST0	No Transmission																						
		PDCM_RSTST1	Start Bits	CH1_SNSDATA1										CH0_SNSDATA1										Parity	
			S2	S1	D0	D1	D2	D3	D4	D5	D6	D7	D8	D9	D0	D1	D2	D3	D4	D5	D6	D7	D8	D9	P
1	1	PDCM_RSTST0	Start Bits	CH1_SNSDATA0										CH0_SNSDATA0										Parity	
			S2	S1	D0	D1	D2	D3	D4	D5	D6	D7	D8	D9	D0	D1	D2	D3	D4	D5	D6	D7	D8	D9	P
		PDCM_RSTST1	Start Bits	CH1_SNSDATA1										CH0_SNSDATA1										Parity	
			S2	S1	D0	D1	D2	D3	D4	D5	D6	D7	D8	D9	D0	D1	D2	D3	D4	D5	D6	D7	D8	D9	P

**Table 274. Dual transmission mode 10-bit transmission data with CRC**

SID1_EN	SID0_EN	Response start time	Response format																								
0	0	PDCM_RSTST0	No Transmission																								
		PDCM_RSTST1	No Transmission																								
0	1	PDCM_RSTST0	Start Bits	CH1_SNSDATA0										CH0_SNSDATA0										CRC			
			S2	S1	D0	D1	D2	D3	D4	D5	D6	D7	D8	D9	D0	D1	D2	D3	D4	D5	D6	D7	D8	D9	C2	C1	C0
		PDCM_RSTST1	No Transmission																								
1	0	PDCM_RSTST0	No Transmission																								
		PDCM_RSTST1	Start Bits	CH1_SNSDATA1										CH0_SNSDATA1										CRC			
			S2	S1	D0	D1	D2	D3	D4	D5	D6	D7	D8	D9	D0	D1	D2	D3	D4	D5	D6	D7	D8	D9	C2	C1	C0
1	1	PDCM_RSTST0	Start Bits	CH1_SNSDATA0										CH0_SNSDATA0										CRC			
			S2	S1	D0	D1	D2	D3	D4	D5	D6	D7	D8	D9	D0	D1	D2	D3	D4	D5	D6	D7	D8	D9	C2	C1	C0
		PDCM_RSTST1	Start Bits	CH1_SNSDATA1										CH0_SNSDATA1										CRC			
			S2	S1	D0	D1	D2	D3	D4	D5	D6	D7	D8	D9	D0	D1	D2	D3	D4	D5	D6	D7	D8	D9	C2	C1	C0

**Table 275. Dual transmission mode 16-bit transmission data with parity**

SID1_EN	SID0_EN	Response start time	Response format																			
0	0	PDCM_RSTST0	No Transmission																			
		PDCM_RSTST1	No Transmission																			

Table 275. Dual transmission mode 16-bit transmission data with parity...continued

SID1_EN	SID0_EN	Response start time	Response format																												
0	1	PDCM_RSTST0	Start	CH1_SNSDATA0												CH0_SNSDATA0												P			
			S2 S1 D0 D1 D2 D3 D4 D5 D6 D7 D8 D9 D10 D11 D12 D13 D14 D15 D0 D1 D2 D3 D4 D5 D6 D7 D8 D9 D10 D11 D12 D13 D14 D15	P																											
		PDCM_RSTST1	No Transmission																												
1	0	PDCM_RSTST0	No Transmission																												
			PDCM_RSTST1	Start	CH1_SNSDATA1												CH0_SNSDATA1												P		
		S2 S1 D0 D1 D2 D3 D4 D5 D6 D7 D8 D9 D10 D11 D12 D13 D14 D15 D0 D1 D2 D3 D4 D5 D6 D7 D8 D9 D10 D11 D12 D13 D14 D15		P																											
1	1	PDCM_RSTST0	Start	CH1_SNSDATA0												CH0_SNSDATA0												P			
			S2 S1 D0 D1 D2 D3 D4 D5 D6 D7 D8 D9 D10 D11 D12 D13 D14 D15 D0 D1 D2 D3 D4 D5 D6 D7 D8 D9 D10 D11 D12 D13 D14 D15	P																											
		PDCM_RSTST1	Start	CH1_SNSDATA1												CH0_SNSDATA1												P			
S2 S1 D0 D1 D2 D3 D4 D5 D6 D7 D8 D9 D10 D11 D12 D13 D14 D15 D0 D1 D2 D3 D4 D5 D6 D7 D8 D9 D10 D11 D12 D13 D14 D15	P																														

Table 276. Dual transmission mode 16-bit transmission data with CRC

SID1_EN	SID0_EN	Response start time	Response format																															
0	0	PDCM_RSTST0	No Transmission																															
		PDCM_RSTST1	No Transmission																															
0	1	PDCM_RSTST0	Start	CH1_SNSDATA0												CH0_SNSDATA0												CRC						
			S2 S1 D0 D1 D2 D3 D4 D5 D6 D7 D8 D9 D10 D11 D12 D13 D14 D15 D0 D1 D2 D3 D4 D5 D6 D7 D8 D9 D10 D11 D12 D13 D14 D15 C2 C1 C0	P																														
		PDCM_RSTST1	No Transmission																															
1	0	PDCM_RSTST0	No Transmission																															
			PDCM_RSTST1	Start	CH1_SNSDATA1												CH0_SNSDATA1												CRC					
		S2 S1 D0 D1 D2 D3 D4 D5 D6 D7 D8 D9 D10 D11 D12 D13 D14 D15 D0 D1 D2 D3 D4 D5 D6 D7 D8 D9 D10 D11 D12 D13 D14 D15 C2 C1 C0		P																														
1	1	PDCM_RSTST0	Start	CH1_SNSDATA0												CH0_SNSDATA0												CRC						
			S2 S1 D0 D1 D2 D3 D4 D5 D6 D7 D8 D9 D10 D11 D12 D13 D14 D15 D0 D1 D2 D3 D4 D5 D6 D7 D8 D9 D10 D11 D12 D13 D14 D15 C2 C1 C0	P																														
		PDCM_RSTST1	Start	CH1_SNSDATA1												CH0_SNSDATA1												CRC						
S2 S1 D0 D1 D2 D3 D4 D5 D6 D7 D8 D9 D10 D11 D12 D13 D14 D15 D0 D1 D2 D3 D4 D5 D6 D7 D8 D9 D10 D11 D12 D13 D14 D15 C2 C1 C0	P																																	

### 13.8 Daisy chain mode

The device can be programmed to operate in daisy chain mode by setting the DAISY\_CHAIN bit in the PSI5\_CFG register. Daisy chain mode can be programmed to operate in either "Simultaneous Sampling Mode", or "Synchronous Sampling Mode" by setting the SS\_EN bit to the desired operating mode. In simultaneous sampling mode, the most recent interpolated sensor data sample is latched at t<sub>TRIG</sub> (rising edge of Sync Pulse). In synchronous sampling mode, the most recent interpolated sensor data sample is latched at the transmission time associated with the programmed sensor address, relative to t<sub>TRIG</sub> (rising edge of Sync pulse).

When programmed to operate in daisy chain mode, the device follows the procedure:

1. After a power on delay of  $t_{RS\_PM}$ , the device waits for a PSI5 "Set Address" command defined in [Table 278](#) and [Table 279](#).
  - a. The Set Address command must be preceded by at least 31 and no more than 60 consecutive sync pulses. All other commands must be preceded by either 31 consecutive sync pulses or 5 consecutive missing sync pulses.
  - b. The Daisy Chain Programming command and response formats are defined in [Section 13.10.2](#) using a sync pulse period of  $t_{s-s\_DC}$ . The response settings are defined in [Table 292](#), with the exception of the time slot.
  - c. The response to the PSI5 Set Address command and all other valid commands uses the Source ID 0, address-based time slot specified in [Table 280](#).
  - d. If a framing error or CRC error is detected on a received command, the device does not respond.
2. After receiving a valid address and completing the response, the device will decode and respond to all [Table 278](#) commands sent to the sensor address it is set to. All responses are transmitted in the address-based time slot specified in [Table 280](#).
3. When the "Run Mode" command is received, the device responds to the command using the address-based time slot(s) specified in [Table 280](#). The device then ignores all commands and proceeds through Initialization Phase 2 and Initialization Phase 3 in response to sync pulses. The following response format is used, regardless of the state of the relevant bits in the Device Configuration Registers:

**Table 277. Daisy chain: Run mode configuration**

Parameter	Reference	Value
Time Slot	<a href="#">Section 11.2.18.1</a>	Address-based time slot(s) specified in <a href="#">Table 280</a>
Data Size	<a href="#">Section 11.2.13.2</a>	Data size controlled by the PDCMFORMAT bits
Error Checking	<a href="#">Section 11.2.17.6</a>	Even Parity
Baud Rate	<a href="#">Section 11.2.15.4</a>	Baud Rate controlled by the CHIPTIME bits

- Upon completion of Initialization Phase 3, the ENDINIT bit is set, the device enters normal mode and responds to all sync pulses with sensor data according to [Table 278](#), [Table 279](#), and [Table 280](#).

**Table 278. Daisy chain programming commands and responses**

CMD type	SAdr			FC			Command	Response (OK)	
	A2	A1	A0	F2	F1	F0		RC	RD1
Short	0	0	0	A2	A1	A0	Set Sensor Address (Daisy Chain)	OK	SAdr
Short	1	1	1	0	0	0	Broadcast Message - "Run Mode"	OK	0x000
Short	SAdr = 1, 2, 3, 4, 5, 6			0	0	0	Activate Low Side Bus Switch	OK	0x000
Short	SAdr = 1, 2, 3, 4, 5, 6			1	1	1	Deactivate Low Side Bus Switch	OK	0x111
Short	SAdr = 1, 2, 3, 4, 5, 6			A2	A1	A0	Set Sensor Address (Daisy Chain)	OK	SAdr

**Table 279. Daisy chain programming response code definitions**

Response code	Definition	Value
RC = OK	Command Message Received Properly.	0x1E1
RC = Error	Error during transmission of Command Message.	0x1E2

Table 279. Daisy chain programming response code definitions...continued

Response code	Definition	Value
SAdr	Programmed Sensor Address, prepended with logic zeros.	Varies

Table 280. Valid daisy chain addresses

Sensor address (SAdr)			Description	Time slot source ID 0	Time slot source ID 2
A2	A1	A0			
0	0	0	Un-programmed sensor	N/A	N/A
0	0	1	Sensor Address 1	t <sub>TIMESLOT_DC0</sub>	t <sub>TIMESLOT_DC1_L</sub>
0	1	0	Sensor Address 2	t <sub>TIMESLOT_DC1_L</sub>	t <sub>TIMESLOT_DC2_L</sub>
0	1	1	Sensor Address 3	t <sub>TIMESLOT_DC2_L</sub>	t <sub>TIMESLOT_DC0</sub>
1	0	0	Sensor Address 4	t <sub>TIMESLOT_DC1_H</sub>	t <sub>TIMESLOT_DC2_H</sub>
1	0	1	Sensor Address 5	t <sub>TIMESLOT_DC2_H</sub>	t <sub>TIMESLOT_DC3_H</sub>
1	1	0	Sensor Address 6	t <sub>TIMESLOT_DC3_H</sub>	t <sub>TIMESLOT_DC0</sub>
1	1	1	N/A	N/A	N/A

**Note:** Writes to Sensor Address 7 are ignored.

**Note:** If a successful programming mode entry command is received prior to a set address, daisy chain mode is disabled.

## 13.9 Error handling

### 13.9.1 Daisy chain error handling

[Table 281](#) shows the effect of internal failure modes on the daisy chain initialization procedure.

Table 281. Daisy chain error handling

Error condition	Effect on daisy chain
Supply Error	Daisy chain commands ignored. The device will not participate in daisy chain.
Communication Error	No effect. The device will participate in Daisy Chain as programmed.
Test Mode Enabled	Daisy chain commands ignored. The device will not participate in daisy chain.
Offset Error	No effect. The device will participate in daisy chain as programmed.
Temperature Error	No effect. The device will participate in daisy chain as programmed.
Memory Error	No effect. The device will participate in daisy chain as programmed.
Self-test Error	No effect. The device will participate in daisy chain as programmed.
Device Not Locked	No effect. The device will participate in daisy chain as programmed.

### 13.9.2 Initialization phase 2 error handling

[Table 282](#) shows the effect of internal failure modes on the initialization phase 2 transmissions. Some errors occurring in initialization phase 2 will prevent entry into

initialization phase 3. Once the error is no longer present, the device will complete initialization phase 2 as necessary and then transition to initialization phase 3.

**Table 282. Initialization phase 2 error handling**

Error condition	Effect on initialization phase 2
Supply Error	Temporary, Sync Pulses Ignored
Communication Error	No Effect
Test Mode Enabled	No Effect
Offset Error	No Effect
Temperature Error	No Effect. The device will attempt to transmit Initialization Phase 2 data.
Memory Error	No Effect. The device will attempt to transmit Initialization Phase 2 data.
Self-test Error	No Effect
Device Not Locked	No Effect

**13.9.3 Initialization phase 3 error handling**

[Table 283](#) shows the effect of internal failure modes on the initialization phase 3 procedures. Some errors occurring in initialization phase 3 will prevent entry into run mode until the error is no longer present. Once the error is no longer present, one or more Sensor Ready commands are transmitted before entering Run Mode.

**Table 283. Initialization phase 3 error handling**

Error condition	Effect on initialization phase 3
Supply Error	Temporary, Sync Pulses Ignored
Communication Error	No Effect
Test Mode Enabled	No Effect
Offset Error	No Effect
Temperature Error	No Effect. The device will attempt to transmit Initialization Phase 3 data.
Memory Error	No Effect. The device will attempt to transmit Initialization Phase 3 data.
Self-test Error	No Effect
Device Not Locked	Sensor Ready replaced with Sensor Ready, but Not Locked Transmission (UF2 Region is un-programmed)

**13.9.4 Normal mode error handling with internal error automatic clearing**

[Section 13.9.4.1](#) and [Section 13.9.4.2](#) summarize the error reporting if the PSI5\_ERRLATCH bit is not set. A single error transmission clears the device status allowing for temporary error conditions to be cleared once the error condition is removed.

**13.9.4.1 Standard error reporting**

[Table 284](#) summarizes the error reporting in normal mode if the PSI5 error extension option is disabled.



Table 284. Standard error reporting

Error condition	Error code	Error response
Supply Error	NA	Temporary (Normal transmissions continue once condition is removed)
Communication Error	0x1F4	Temporary (Normal transmissions continue once condition is removed)
Test Mode Enabled		Temporary (Normal transmissions continue once condition is removed)
Offset Error		Temporary (Normal transmissions continue once condition is removed) <sup>[1]</sup>
Temperature Error		Temporary (Normal transmissions continue once condition is removed)
Memory Error		Latched until reset
Self-test Error	0x1EA	Latched until reset <sup>[2]</sup>
Device Not Locked	NA	NA

[1] An offset error on either channel results in an offset error response from both channels.

[2] A self-test error on either channel results in a self-test error response from both channels.

### 13.9.4.2 PSI5 error extension option

If the PSI5 error extension option is enabled, additional error reporting is available as shown in [Table 285](#).

Table 285. PSI5 error extension option

Error condition	Error code	Error response
Supply Error	NA	Temporary (Normal transmissions continue once condition is removed)
Communication Error	0x1EF	Temporary (Normal transmissions continue once condition is removed)
Test Mode Enabled	0x1EE	Temporary (Normal transmissions continue once condition is removed)
Offset Error	0x1ED	Temporary (Normal transmissions continue once condition is removed) <sup>[1]</sup>
Temperature Error	0x1EC	Temporary (Normal transmissions continue once condition is removed)
Memory Error	0x1EB	Latched until reset
Self-test Error	0x1EA	Latched until reset <sup>[2]</sup>
Device Not Locked	NA	NA

[1] An offset error on either channel results in an offset error response from both channels.

[2] A self-test error on either channel results in a self-test error response from both channels.

## 13.9.5 Normal mode error handling with internal error latching

[Section 13.9.5.1](#) and [Section 13.9.5.2](#) summarize the error reporting if the PSI5\_ERRLATCH bit is set. Internal errors are latched until reset.

### 13.9.5.1 Standard error reporting

[Table 286](#) summarizes the error reporting in normal mode if the PSI5 Error Extension option is disabled.

Table 286. Standard error reporting

Error condition	Error code	Error response
Supply Error	NA	Temporary (Normal transmissions continue once condition is removed)
Communication Error	0x1F4	Temporary (Normal transmissions continue once condition is removed)

**Table 286. Standard error reporting...continued**

Error condition	Error code	Error response
Test Mode Enabled		Latched until reset
Offset Error		Latched until reset. <sup>[1]</sup>
Temperature Error		Latched until reset
Memory Error		Latched until reset
Self-test Error	0x1EA	Latched until reset. <sup>[2]</sup>
Device Not Locked	NA	NA

[1] An offset error on either channel results in an offset error response from both channels.

[2] A self-test error on either channel results in a self-test error response from both channels.

### 13.9.5.2 PSI5 error extension option

If the PSI5 error extension option is enabled, additional error reporting is available as shown in [Table 287](#).

**Table 287. PSI5 error extension option**

Error condition	Error code	Error response
Supply Error	NA	Temporary (Normal transmissions continue once condition is removed)
Communication Error	0x1EF	Temporary (Normal transmissions continue once condition is removed)
Test Mode Enabled	0x1EE	Latched until reset
Offset Error	0x1ED	Latched until reset. <sup>[1]</sup>
Temperature Error	0x1EC	Latched until reset
Memory Error	0x1EB	Latched until reset
Self-test Error	0x1EA	Latched until reset. <sup>[2]</sup>
Device Not Locked	NA	NA

[1] An offset error on either channel results in an offset error response from both channels.

[2] A self-test error on either channel results in a self-test error response from both channels.

## 13.10 PSI5 programming mode

PSI5 Programming mode is a synchronous communication mode that allows for bidirectional communication with the device. Programming mode is intended for factory programming of the OTP array and reading of diagnostic information. It is not intended for use in normal operation.

### 13.10.1 PSI5 programming mode entry

The device enters programming mode if and only if the following sequence occurs:

- At least 31 sync pulses are detected, directly preceding the Programming Mode Entry Short Command during the Programming Mode Entry Window shown in [Figure 89](#).
  - The window timing is defined in [Section 10.12](#) ( $t_{PME}$ ).
  - The Sync pulses and Programming Mode Entry command must be received with a sync pulse period of  $t_{S-S\_PM}$

If the Programming Mode entry requirement is not met:

1. Programming Mode Entry is blocked until the device is reset.
2. The device proceeds with PSI5 Initialization Phase 2, and PSI5 Initialization Phase 3.
3. The device enters normal mode, and responds as programmed to normal sync pulses.

If the Programming Mode entry requirement is met:

1. Normal transmissions to sync pulses are terminated.
2. The device will detect commands if the start condition is met as described in [Section 13.10.2.2](#).
3. The device responds only to valid PSI5 Short and XLong Commands addressed to Sensor Address '001', as defined in [Section 13.10.3](#).

**13.10.2 PSI5 programming mode - data link layer**

**13.10.2.1 PSI5 programming mode - command bit encoding**

Commands messages are transmitted via the modulation of the supply voltage. The presence of a sync pulse is a logic '1' and the absence of a sync pulse is a logic '0'. Sync pulses are expected at a rate of  $t_{S-S\_PM}$ .

**13.10.2.2 PSI5 programming mode - command message format**

Once programming mode is enabled, command message data frames consist of a start condition, 3 Start Bits (S[2:0]), a 3-bit sensor address (SAdr[2:0]), a 3-bit function code (FC[2:0]), an optional register address (RA[7:0]), an optional data field (D[7:0]), and a 3-bit CRC (C[2:0]). The start condition consists of one of the following:

1. A minimum of 5 consecutive logic '0's (with no sync bits)
2. A minimum of 31 consecutive logic '1's (this includes logic '1's transmitted for the previous response)

The command message format is shown in [Table 289](#).

**Table 288. Programming mode via PSI5 command data format**

Start bits			Sensor Addr			Function code			Register address								Data							CRC						
S2	S1	S0	SA0	SA1	SA2	FC0	FC1	FC2	RA0	RA1	RA2	RA3	RA4	RA5	RA6	RA7	D0	D1	D2	D3	D4	D5	D6	D7	C2	C1	C0			
0	1	0	1	0	0	0	1	0	0	0	0	0	0	0	0	0	1	1	1	1	1	1	1	1	0	0	0			
																							CRC							
																							Data to be written to register (optional)							
																							Register Address (optional)							
																							Function Codes (See <a href="#">Section 13.10.3</a> )							
																							Sensor Address - Fixed at 001							
Start Bit Sequence = 010																														

**Table 289. Programming mode via PSI5 command data format - response**

Response		
RC	RD1	RD0
\$3FF	\$3FF	\$3FF

Bit stuffing is necessary to maintain a synchronized timebase between the command master and the device. A logic '1' Sync bit is added every fourth bit in the command message to ensure that there will never be more than 3 logic '0' bits in a row.

**Table 290. Programming mode via PSI5 XLONG command data format with sync bits**

Start bits			Sensor address			Function code			Register address							Data							CRC																
S2	S1	S0	Sy	SA0	SA1	SA2	Sy	FC0	FC1	FC2	Sy	RA0	RA1	RA2	Sy	RA3	RA4	RA5	Sy	RA6	RA7	D0	Sy	D1	D2	D3	Sy	D4	D5	D6	Sy	D7	C2	C1	Sy	C0			
0	1	0	1	1	0	0	1	0	1	0	1	0	0	0	1	0	0	0	1	1	1	1	1	1	1	1	1	1	1	1	1	1	1	1	1	0	0	1	0

**Table 291. Programming mode via PSI5 XLONG command data format with sync bits - response**

Response								
RC			RD1			RD0		
\$1E2			\$3FF			\$3FF		

Once a command is received and verified, the device expects 2 to 3 consecutive sync pulses (depending upon the command message lengths described in [Table 292](#)). There is no delay restriction between the command and the first sync pulse for the response. Once the first sync pulse for the response is received, each successive response sync pulse must be received within the programming mode sync pulse period specified ( $t_{S\_PM}$ ) or a framing error may occur.

For each of these sync pulses, The device will respond with the following settings:

**Table 292. Programming mode via PSI5 response message settings**

Parameter	Value
Time Slot	$t_{TIMESLOT\_DC0}$
Data Size	10-bit data
Error Checking	Even Parity
Baud Rate	125 kBd
Sync Pulse Pulldown	Disabled

**13.10.2.3 Short frame command and response format**

Short frames are the simplest type of command message. No data is transmitted in a short frame command. Only specific instructions are performed in response to short frame commands. The short frame format is shown in [Table 293](#). Short frame commands and responses are defined in [Section 13.10.3](#).

The device only supports a short command for programming mode entry.

**Table 293. Programming mode via PSI5 short command**

Start bits			Sensor address			Function code			CRC					
S2	S1	S0	Sy	SA0	SA1	SA2	Sy	FC0	FC1	FC2	Sy	C2	C1	C0
0	1	0	1	1	0	0	1	0	0	1	1	0	0	0

**Table 294. Response format**

Response					
RC			RD1		
\$1E2			\$3FF		

**13.10.2.4 Long frame command and response format**

Long frames allow for the transmission of data nibbles for register writes. The device can provide register data in response to a read or write request. the long frame format is shown in [Table 295](#). The device does not support the long frame command.

**Table 295. Programming mode via PSI5 long command**

Start Bits			Sensor Address				Function Code			Register Address										Data					CRC			
S2	S1	S0	Sy	SA0	SA1	SA2	Sy	FC0	FC1	FC2	Sy	RA0	RA1	RA2	Sy	RA3	RA4	RA5	Sy	D0	D1	D2	Sy	D3	C2	C1	Sy	C0
0	1	0	1	1	0	0	1	0	1	0	1	0	0	0	1	0	0	0	1	1	1	1	1	1	0	0	1	0

**Table 296. Response format**

Response																										
RC									RD1									RD0								
\$1E2									\$3FF									\$3FF								

**13.10.2.5 Extra long frame command and response format**

Extra long frames allow for the transmission of address and data bytes for register reads and writes. The device can provide register data in response to a read or write request. The extra long frame format is shown in [Table 297](#). Extra long frame commands and responses are defined in [Section 13.10.3](#).

The device supports register read and register write extra long commands.

**Table 297. Programming mode via PSI5 long command**

Start Bits			Sensor Address				Function Code			Register Address										Data					CRC											
S2	S1	S0	Sy	SA0	SA1	SA2	Sy	FC0	FC1	FC2	Sy	RA0	RA1	RA2	Sy	RA3	RA4	RA5	Sy	RA6	RA7	D0	Sy	D1	D2	D3	Sy	D4	D5	D6	Sy	D7	C2	C1	Sy	C0
0	1	0	1	1	0	0	1	0	1	0	1	0	0	0	1	0	0	0	1	1	1	1	1	1	1	1	1	1	1	1	1	1	0	0	1	0

**Table 298. Response format**

Response																										
RC									RD1									RD0								
\$1E2									\$3FF									\$3FF								

**13.10.2.6 Command message CRC**

Programming mode command error checking is accomplished by a 3-bit CRC. The 3-bit CRC is calculated using all message bits except start bits and sync bits. The CRC verification uses a generator polynomial of  $g(x) = X^3 + X + 1$ , with a non-direct seed value = '111'. The message data is provided to the CRC calculator in the order received (LSB first, SAdr, FC, RAdr, Data), and then augmented with '000'. [Table 263](#) shows some example CRC calculation values for 10-bit data transmissions.

The calculated CRC is then compared against the received 3-bit CRC (received MSB first). If a CRC mismatch is detected, the device responds with a CRC Error response as defined in [Section 13.10.4](#).

**13.10.2.7 Command sync pulse blanking time**

In programming mode and programming mode entry, the device employs a fixed sync pulse blanking time of  $t_{SYNC\_OFF\_250}$  regardless of the state of the PDCM\_CMD\_B register value.

### 13.10.2.8 Command timeout

In the event that the device does not detect a sync pulse within a 4-bit window time, the command reception will be terminated and the device will respond to the next sync pulse with a Short Frame Framing Error response as defined in [Section 13.10.4](#).

### 13.10.3 PSI5 programming mode command and response summary

**Table 299. Programming mode via PSI5 commands and responses**

CMD type	SAdr	FC FC[2:0]	Command	Register address	Data field	Response (OK)			Response (Error)		
						RC	RD1	RD0	RC	RD1	RD0
Short	001	100	Invalid Command	N/A	N/A	No Response			No Response		
Short		101	Invalid Command	N/A	N/A	No Response			No Response		
Short		110	Invalid Command	N/A	N/A	No Response			No Response		
Short		111	Enter Programming Mode	N/A	N/A	OK	0x0CA	N/A	No Response		
Long		010	Invalid Command	N/A	N/A	No Response			No Response		
Long		011	Invalid Command	N/A	N/A	No Response			No Response		
XLong		000	Read register located at address RA7:RA0	Varies	Varies	OK	RData	RData+1	Error	ErrN	0x000
XLong		001	Write WData to register RA7:RA0	Varies	Varies	OK	WData	RA7:RA0	Error	ErrN	0x000

**Table 300. Programming mode via PSI5 response code definitions**

Response code	Definition	Value
RC = OK	Command Message Received Properly	0x1E1
RC = Error	Error during transmission of Command Message	0x1E2
RData	Byte Contents of Register located at address RA7:RA1 with RA0 = 0 (Low Byte)	Varies
RData + 1	Byte Contents of Register located at address RA7:RA1 with RA0 = 1 (High Byte)	Varies
WData	Byte Contents of Register located at address RA7:RA0	Varies

### 13.10.4 Programming mode via PSI5 error response summary

**Table 301. Error response summary**

ErrN	Mnemonic	Description	Supported
0000	General	General Error	No
0001	Framing	Framing Error (4 consecutive zeros)	Yes
0010	CRC	CRC Error on Received Message	Yes
0011	Address	Sensor Address Not Supported	No (Invalid Address is ignored)
0100	FC	Function Code Not Supported	No (N/A)
0101	Reserved	Reserved	No
0110			
0111			
1000	Reserved	Reserved	No
1001			
1010			
1011			

Table 301. Error response summary...continued

ErrN	Mnemonic	Description	Supported
1100			
1101			
1110			
1111			

ErrN is transmitted in the 4 LSBs of RD1. All other bits in the response data field are set to '0'.

### 13.11 PSI5 OTP programming procedure

1. Enter programming mode.
2. Set  $V_{CC} = V_{PP}$
3. Load desired data into the desired registers using PSI5 Write commands.
4. Write the necessary OTP program sequence to the WRITE\_OTP\_EN register for the desired OTP region to be written.
5. Delay  $t_{PROG\_TIME}$  after the completion of the Write OTP program to allow for completion of the OTP writes.
6. Read the DEVSTAT and DEVSTAT2 registers to confirm that no errors occurred during the OTP writes.
7. Read back the register values that were written and compare to the desired values to confirm successful OTP writes.

Refer to the PSI5 OTP Programming Procedure Application Note for further details on OTP programming.

## 14 Standard 32-bit SPI protocol

The device includes a standard SPI protocol requiring 32-bit data packets. The device is a slave device requires that the base clock value be low (CPOL = 0) with data captured on the rising edge of the clock and data propagated on the falling edge of the clock (CPHA = 0). The most significant bit is transferred first (MSB first). SPI transfers are completed through a sequence of two phases. During the first phase, the command is transmitted from the SPI master to the device. During the second phase, response data is transmitted from the slave device. MOSI and SCLK transitions are ignored when SS\_B is not asserted.

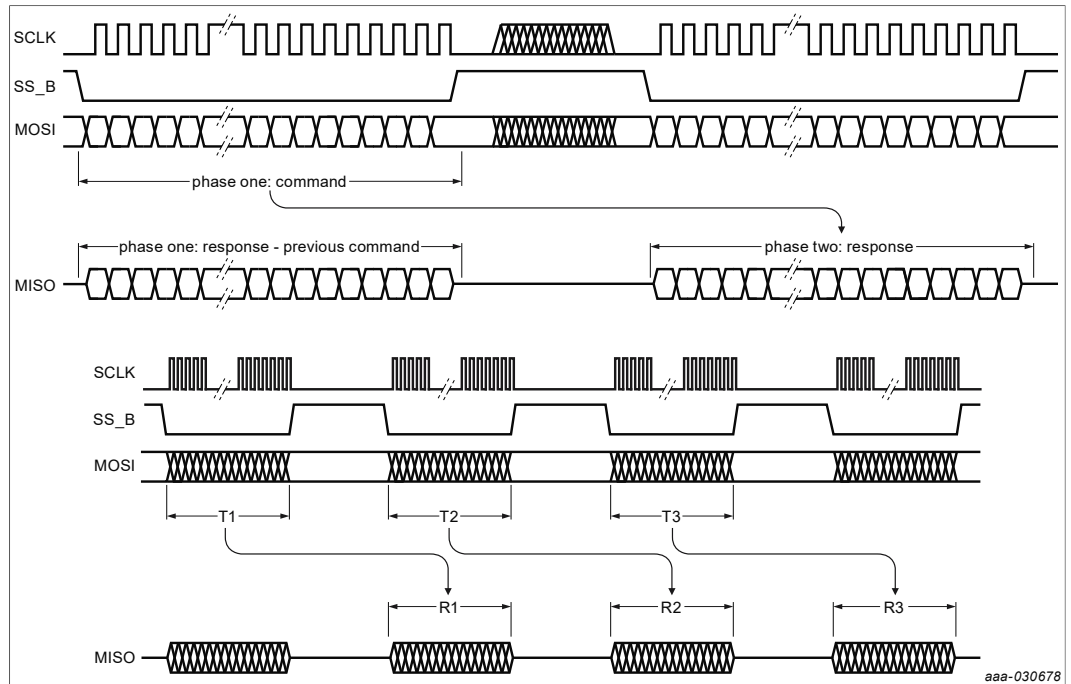


Figure 94. Standard 32-bit SPI protocol timing diagram

### 14.1 SPI command format

Table 302. SPI command format

MSB	31	30	29	28	27	26	25	24	23	22	21	20	19	18	17	16	15	14	13	12	11	10	9	8	7	6	5	4	3	2	1	0	LSB
Register Access Command																																	
Command	Fixed Bits: Must = 0x0				Register Address												Register Data								8-bit CRC								
C[3:0]	0	0	0	0	RA[7:1]						RA[0]	RD[7:0]							CRC[7:0]														
Sensor Data Command																																	
Command	Fixed Bits: Must = 0x00000																								8-bit CRC								
C[3:0]	0	0	0	0	0	0	0	0	0	0	0	0	0	0	0	0	0	0	0	0	0	0	0	0	0	0	0	0	0	0	0	CRC[7:0]	

### 14.2 SPI response format

Table 303. SPI response format

MSB	31	30	29	28	27	26	25	24	23	22	21	20	19	18	17	16	15	14	13	12	11	10	9	8	7	6	5	4	3	2	1	0	LSB
Response to Register Request																																	
Command	Basic Status		Unused Data = 0x0		Register Data: Contents of RA[7:1] High Byte												Register Data: Contents of RA[7:1] Low Byte								8-bit CRC								
C[0]	C[3]	C[2]	C[1]	ST[1:0]	0	0	RD[15:8]						RD[7:0]							CRC[7:0]													
Response to Sensor Data Request																																	
Command	Basic Status		Sensor Data												Detail Status		8-bit CRC																
C[0]	C[3]	C[2]	C[1]	ST[1:0]	SD[11:0]										Optional SD resolution		SF[1:0]	CRC[7:0]															
Error Response to Register Request																																	
Command	Basic Status		Unused Data = 0x0		Register Data: Contents of RA[7:1] High Byte												Register Data: Contents of RA[7:1] Low Byte								8-bit CRC								
0	0	0	0	1	1	0	0	RD[15:8]						RD[7:0]							CRC[7:0]												
Error Response to Sensor Data Request With Sensor Data																																	
Command	Basic Status		Sensor Data												Detail Status		8-bit CRC																



Table 303. SPI response format...continued

MSB																																LSB
31	30	29	28	27	26	25	24	23	22	21	20	19	18	17	16	15	14	13	12	11	10	9	8	7	6	5	4	3	2	1	0	
C[0]	C[3]	C[2]	C[1]	1	1	SD[11:0]											Optional SD resolution				SF[1:0]	CRC[7:0]										
Error Response to Sensor Data Request Without Sensor Data																																
Command				Basic Status		x	Unused Data = 0x0000																Detail Status		8-bit CRC							
0	0	0	0	1	1	x	0	0	0	0	0	0	0	0	0	0	0	0	0	0	0	0	SF[1:0]	CRC[7:0]								

### 14.3 Command summary

Table 304. Command summary

C[3:0]				Command type	Data source SOURCEID[2:0] = C[3:1]	Reference
0	0	0	0	Unused Command (Reserved for Error Response)	Not Applicable	Not Applicable
0	0	0	1	Sensor Data Request	SOURCEID[3:0] = 0x0	<a href="#">Section 14.3.3</a>
0	0	1	0	Reserved Command	Not Applicable	Not Applicable
0	0	1	1	Sensor Data Request	SOURCEID[3:0] = 0x1	<a href="#">Section 14.3.3</a>
0	1	0	0	Reserved Command	Not Applicable	Not Applicable
0	1	0	1	Sensor Data Request	SOURCEID[3:0] = 0x2	<a href="#">Section 14.3.3</a>
0	1	1	0	Reserved Command	Not Applicable	Not Applicable
0	1	1	1	Sensor Data Request	SOURCEID[3:0] = 0x3	<a href="#">Section 14.3.3</a>
1	0	0	0	Register Write Request	Not Applicable	<a href="#">Section 14.3.2</a>
1	0	0	1	Sensor Data Request	SOURCEID[3:0] = 0x4	<a href="#">Section 14.3.3</a>
1	0	1	0	Reserved Command	Not Applicable	Not Applicable
1	0	1	1	Sensor Data Request	SOURCEID[3:0] = 0x5	<a href="#">Section 14.3.3</a>
1	1	0	0	Register Read Request	Not Applicable	<a href="#">Section 14.3.1</a>
1	1	0	1	Sensor Data Request	SOURCEID[3:0] = 0x6	<a href="#">Section 14.3.3</a>
1	1	1	0	Reserved Command	Not Applicable	Not Applicable
1	1	1	1	Sensor Data Request	SOURCEID[3:0] = 0x7	<a href="#">Section 14.3.3</a>

#### 14.3.1 Register read command

The device supports a Register Read command. The Register Read command uses the upper 7 bits of the addresses defined in [Section 11.1](#) to address two 8-bit registers in the register map. The response to the command includes the contents of RA[7:1] high byte (RA[0] = 1) in the upper byte and the contents of RA[7:1] low byte (RA[0] = 0) in the lower byte.

The response to a register read command is shown in [Section 14.3.1.2](#). The response is transmitted on the next SPI message if and only if all of the following conditions are met:

- No SPI Error is detected (See [Section 14.5.6](#))
- No MISO Error is detected (See [Section 14.5.7](#))

If the conditions are met, the device responds to the register read request as shown in [Section 14.3.1.2](#). Otherwise, the device responds with the Error Response as defined in

[Section 14.5.4](#). The Register Read response includes the register contents at the rising edge of SS\_B for the Register Read command.

**14.3.1.1 Register read command message format**

**Table 305. Register read command message format**

MSB																	LSB														
31	30	29	28	27	26	25	24	23	22	21	20	19	18	17	16	15	14	13	12	11	10	9	8	7	6	5	4	3	2	1	0
Command C[3:0]				Fixed Bits: Must = 0x0				Register Address								Register Data						8-bit CRC									
1	1	0	0	0	0	0	0	RA[7:1]				RA[0]	0	0	0	0	0	0	0	0	0	0	0	0	CRC[7:0]						

**Table 306. Register read command message format description**

Bit field	Definition
C[3:0]	Register Read Command = '1100'
RA[7:1]	RA[7:1] contains the word address of the register to be read.
CRC[7:0]	CRC. See <a href="#">Section 14.4</a>

**14.3.1.2 Register read response message format**

**Table 307. Register read response message format**

MSB																	LSB														
31	30	29	28	27	26	25	24	23	22	21	20	19	18	17	16	15	14	13	12	11	10	9	8	7	6	5	4	3	2	1	0
Command C[0], [3:1]				Basic Status		Unused Data = 0x0		Register Data: Contents of RA[7:1] High Byte								Register Data: Contents of RA[7:1] Low Byte						8-bit CRC									
0	1	1	0			0	0	RD[15:8]				RD[7:0]						CRC[7:0]													

**Table 308. Register read response message format description**

Bit field	Definition
C[0], [3:1]	Register Read Command = '0110'
ST[1:0]	Status. See <a href="#">Section 14.5.1</a>
RD[15:8]	The contents of the register addressed by RA[7:1] High Byte (RA[0] = 1)
RD[7:0]	The contents of the register addressed by RA[7:1] Low Byte (RA[0] = 0)
CRC[7:0]	CRC. See <a href="#">Section 14.4</a>

**14.3.2 Register write command**

The device supports a Register Write command. The Register Write command writes the value specified in RD[7:0] to the register addressed by RA[7:0]. The response to the command includes the new contents of RA[7:1] high byte (RA[0] = 1) in the upper byte and the contents of RA[7:1] low byte (RA[0] = 0) in the lower byte.

The response to a register write command is shown in [Section 14.3.2.2](#). The register write is executed and a response is transmitted on the next SPI message if and only if all of the following conditions are met:

- No SPI Error is detected (See [Section 14.5.6](#))

- The ENDINIT bit is cleared
  - This applies to all registers with the exception of the RESET[1:0] bits in the DEVLOCK\_WR register

If the conditions are met, the register write is executed and the device responds to the register write request as shown in [Section 14.3.2.2](#). Otherwise, no register is written and the device responds with the Error Response as defined in [Section 14.2](#). The register is not written until the transfer during which the register write was requested has been completed.

A register write command to a read-only register will not execute, but will result in a valid response.

**14.3.2.1 Register write command message format**

**Table 309. Register write command message format**

MSB																				LSB											
31	30	29	28	27	26	25	24	23	22	21	20	19	18	17	16	15	14	13	12	11	10	9	8	7	6	5	4	3	2	1	0
Command C[3:0]				Fixed Bits: Must = 0x0				Register Address								Register Data							8-bit CRC								
1	0	0	0	0	0	0	0	RA[7:1]							RA[0]	RD[7:0]							CRC[7:0]								

**Table 310. Register write command message format description**

Bit field	Definition
C[3:0]	Register Write Command = '1000'
RA[7:0]	RA[7:1] contains the byte address of the register to be written.
RD[7:0]	RD[7:0] contains the data byte to be written to address RA[7:0]
CRC[7:0]	CRC. See <a href="#">Section 14.4</a>

**14.3.2.2 Register write response message format**

**Table 311. Register write response message format**

MSB																				LSB											
31	30	29	28	27	26	25	24	23	22	21	20	19	18	17	16	15	14	13	12	11	10	9	8	7	6	5	4	3	2	1	0
Command C[0], [3:1]				Basic Status	Unused Data = 0x0		Register Data: Contents of RA[7:1] High Byte								Register Data: Contents of RA[7:1] Low Byte							8-bit CRC									
0	1	0	0	ST[1:0]	0	0	RD[15:8]							RD[7:0]							CRC[7:0]										

**Table 312. Register write response message format description**

Bit field	Definition
C[0], [3:1]	Register Write Command = '0100'
ST[1:0]	Status. See <a href="#">Section 14.5.1</a>
RD[15:8]	The contents of the register addressed by RA[7:1] High Byte (RA[0] = 1)
RD[7:0]	The contents of the register addressed by RA[7:1] Low Byte (RA[0] = 0)
CRC[7:0]	CRC. See <a href="#">Section 14.4</a>

### 14.3.3 Sensor data request commands

The device supports standard sensor data request commands. The sensor data request command format is described in [Section 14.3.3.1](#). The response to a sensor data request is shown in [Section 14.3.3.2](#). The response is transmitted on the next SPI message subject to the error handling conditions specified in [Section 14.5](#). The sensor data included in the response is the sensor data at the falling edge of SS\_B for the Sensor Data Request response.

#### 14.3.3.1 Sensor data request command message format

**Table 313. Sensor data request command message format**

MSB																														LSB	
31	30	29	28	27	26	25	24	23	22	21	20	19	18	17	16	15	14	13	12	11	10	9	8	7	6	5	4	3	2	1	0
Command				Fixed Bits: Must = 0x00000																				8-bit CRC							
C[3:0]				0	0	0	0	0	0	0	0	0	0	0	0	0	0	0	0	0	0	0	0	0	CRC[7:0]						

**Table 314. Sensor data request command message format description**

Bit field	Definition
C[0]	Sensor Data Request Command = '1'
C[3:1] = SOURCEID[2:0]	Source Identification code for the requested sensor data. See <a href="#">Section 11.2.13</a> .
CRC[7:0]	CRC. See <a href="#">Section 14.4</a>

#### 14.3.3.2 Sensor data request response message format

**Table 315. Sensor data request response message format**

MSB																														LSB	
31	30	29	28	27	26	25	24	23	22	21	20	19	18	17	16	15	14	13	12	11	10	9	8	7	6	5	4	3	2	1	0
Command C[0], [3:1]				Basic Status		Sensor Data																Detail Status		8-bit CRC							
1	C[3]	C[2]	C[1]	ST[1:0]		SD[11:0]								Optional SD resolution		SF[1:0]		CRC[7:0]													

**Table 316. Sensor data request response message format description**

Bit field	Definition
C[0]	Sensor Data Request Command = '1'
C[3:1] = SOURCEID[2:0]	Source Identification code for the requested sensor data. See <a href="#">Section 11.2.13</a> .
ST[1:0]	Basic Status. See <a href="#">Section 14.5.1</a>
SD[11:0]	Sensor Data. See <a href="#">Section 11.6.4.9</a>
Optional SD Resolution	Optional for 16-bit Sensor Data. See <a href="#">Section 11.6.4.9</a>
SF[1:0]	Detailed Status. See <a href="#">Section 14.5.3</a>
CRC[7:0]	CRC. See <a href="#">Section 14.4</a>

### 14.3.4 Reserved commands

The device responds to reserved commands on the next SPI message subject to the error handling conditions specified in [Section 14.5](#).

**14.3.4.1 Reserved command message format**

MSB																												LSB			
31	30	29	28	27	26	25	24	23	22	21	20	19	18	17	16	15	14	13	12	11	10	9	8	7	6	5	4	3	2	1	0
Command				x	x	x	x	x	x	x	x	x	x	x	x	x	x	x	x	x	x	x	x	8-bit CRC							
0	0	0	0	x	x	x	x	x	x	x	x	x	x	x	x	x	x	x	x	x	x	x	x	CRC[7:0]							
0	0	1	0	x	x	x	x	x	x	x	x	x	x	x	x	x	x	x	x	x	x	x	x	CRC[7:0]							
0	1	0	0	x	x	x	x	x	x	x	x	x	x	x	x	x	x	x	x	x	x	x	x	CRC[7:0]							
0	1	1	0	x	x	x	x	x	x	x	x	x	x	x	x	x	x	x	x	x	x	x	x	CRC[7:0]							
1	0	1	0	x	x	x	x	x	x	x	x	x	x	x	x	x	x	x	x	x	x	x	x	CRC[7:0]							
1	1	1	0	x	x	x	x	x	x	x	x	x	x	x	x	x	x	x	x	x	x	x	x	CRC[7:0]							

Bit field	Definition
C[3:0]	Reserved Command
CRC[7:0]	CRC. See <a href="#">Section 14.4</a>

**14.3.4.2 Reserved command response message format**

**Table 317. Reserved command response message format**

MSB																												LSB				
31	30	29	28	27	26	25	24	23	22	21	20	19	18	17	16	15	14	13	12	11	10	9	8	7	6	5	4	3	2	1	0	
Command Echo				Data																		8-bit CRC										
x	x	x	x	x	x	x	x	x	x	x	x	x	x	x	x	x	x	x	x	x	x	x	x	x	CRC[7:0]							

**Table 318. Reserved command response message format description**

Bit field	Definition
Command Echo	Reserved Command Echo - Undefined
Data	Response Data - Undefined
CRC[7:0]	CRC. See <a href="#">Section 14.4</a>

**14.4 Error checking**

**14.4.1 Default 8-bit CRC**

**14.4.1.1 Command error checking**

The device calculates an 8-bit CRC on the entire 32-bits of each command. Message data is entered into the CRC calculator MSB first, consistent with the transmission order of the message. If the calculated CRC does not match the transmitted CRC, the command is ignored and the device responds with the SPI Error response.

The CRC decoding procedure is:

1. A seed value is preset into the least significant bits of the shift register.
2. Using a serial CRC calculation method, the receiver rotates the received message and CRC into the least significant bits of the shift register in the order received (MSB first).
3. When the calculation on the last bit of the CRC is rotated into the shift register, the shift register contains the CRC check result.

4. If the shift register contains all zeros, the CRC is correct.
5. If the shift register contains a value other than zero, the CRC is incorrect.

The CRC polynomial and seed are shown in [Table 319](#).

**Table 319. SPI command message CRC**

SPICRCSEED[3:0]	Default polynomial	Default non-direct seed
0000	$x^8 + x^5 + x^3 + x^2 + x + 1$	1111 1111
Non-Zero	$x^8 + x^5 + x^3 + x^2 + x + 1$	1111 SPICRCSEED[3:0]

Some example CRC calculations are shown in [Table 321](#).

#### 14.4.1.2 Response error checking

The device calculates a CRC on the entire 32-bits of each response. Message data is entered into the CRC calculator MSB first, consistent with the transmission order of the message.

The CRC Encoding procedure is:

1. A seed value is preset into the least significant bits of the shift register.
2. Using a serial CRC calculation method, the transmitter rotates the transmitted message into the least significant bits of the shift register, MSB first.
3. Following the transmitted message, the transmitter feeds eight zeros into the shift register, to match the length of the CRC.
4. When the last zero is fed into the input adder, the shift register contains the CRC.
5. The CRC is transmitted.

The CRC polynomial and seed are shown in [Table 320](#).

**Table 320. SPI CRC polynomial and seed**

SPICRCSEED[3:0]	Default polynomial	Default non-direct seed
0000	$x^8 + x^5 + x^3 + x^2 + x + 1$	1111 1111
Non-Zero	$x^8 + x^5 + x^3 + x^2 + x + 1$	1111 SPICRCSEED[3:0]

Some example CRC calculations are shown in [Table 321](#).

**Table 321. SPI 8-bit CRC calculation examples**

Polynomial	Seed	Bits[31:28]	Bits[27:24]	Bits[23:16]	Bits[15:8]	Bits[7:0]
		Command	0x0	Register address	Register data	8-bit CRC
$x^8 + x^5 + x^3 + x^2 + x + 1$	1111 1111	0x8	0x0	22	C1	0xBD
$x^8 + x^5 + x^3 + x^2 + x + 1$	1111 1111	0x4	0x0	1F	C1	0x57
$x^8 + x^5 + x^3 + x^2 + x + 1$	1111 1111	0xC	0x0	22	00	0x66
$x^8 + x^5 + x^3 + x^2 + x + 1$	1111 1111	0x6	0x0	1F	C1	0xB8
$x^8 + x^5 + x^3 + x^2 + x + 1$	1111 1111	0x4	0x0	FF	5A	0xE5
$x^8 + x^5 + x^3 + x^2 + x + 1$	1111 1111	0xC	0x0	3E	00	0x13
$x^8 + x^5 + x^3 + x^2 + x + 1$	1111 1111	0x6	0x0	FF	5A	0x0A

**14.4.2 Selectable 4-bit CRC**

The user can select a 4-bit CRC instead of the default 8-bit CRC for the SPI by programming the SPI\_CFG register as described in [Section 11.2.20](#).

**14.4.2.1 SPI command format with 4-bit CRC**

**Table 322. SPI command format with 4-bit CRC**

MSB	31	30	29	28	27	26	25	24	23	22	21	20	19	18	17	16	15	14	13	12	11	10	9	8	7	6	5	4	3	2	1	0	LSB		
Register Access Command																																			
Command				Fixed Bits: Must = 0x0				Register Address								Register Data								Fixed Bits: Must = 0x0				4-bit CRC							
C[3:0]				0 0 0 0				RA[7:1]								RA[0]								RD[7:0]				0 0 0 0				CRC[3:0]			
Sensor Data Command																																			
Command				Fixed Bits: Must = 0x00000																								Fixed Bits: Must = 0x0				4-bit CRC			
C[3:0]				0 0																								CRC[3:0]							

**14.4.2.2 SPI response format with 4-bit CRC**

**Table 323. SPI response format with 4-bit CRC**

MSB	31	30	29	28	27	26	25	24	23	22	21	20	19	18	17	16	15	14	13	12	11	10	9	8	7	6	5	4	3	2	1	0	LSB								
Response to Register Request																																									
Command				Basic Status		Unused Data = 0x0		Register Data: Contents of RA[7:1] High Byte								Register Data: Contents of RA[7:1] Low Byte								Unused Data = 0x0				4-bit CRC													
C[0]		C[3]		C[2]		C[1]		ST[1:0]		0		0		RD[15:8]								RD[7:0]								0 0 0 0				CRC[3:0]							
Response to Sensor Data Request																																									
Command				Basic Status		Sensor Data										Detail Status		KAC				4-bit CRC																			
C[0]		C[3]		C[2]		C[1]		ST[1:0]		SD[11:0]										Optional SD resolution		SF[1:0]		KAC[3:0]				CRC[3:0]													
Error Response to Register Request																																									
Command				Basic Status		Unused Data = 0x0		Register Data: Contents of RA[7:1] High Byte								Register Data: Contents of RA[7:1] Low Byte								Unused Data = 0x0				4-bit CRC													
0		0		0		0		1		1		0		0		RD[15:8]								RD[7:0]								0 0 0 0				CRC[3:0]					
Error Response to Sensor Data Request With Sensor Data																																									
Command				Basic Status		Sensor Data										Detail Status		KAC				4-bit CRC																			
C[0]		C[3]		C[2]		C[1]		1		1		SD[11:0]										Optional SD resolution		SF[1:0]		KAC[3:0]				CRC[3:0]											
Error Response to Sensor Data Request Without Sensor Data																																									
Command				Basic Status		x		Unused Data = 0x0000																		Detail Status		Unused Data = 0x0				4-bit CRC									
0		0		0		0		1		1		x		0 0																		SF[1:0]		0 0 0 0				CRC[3:0]			

**14.4.2.3 Command error checking with 4-bit CRC**

The device calculates a 4-bit CRC on the entire 32-bits of each command. Message data is entered into the CRC calculator MSB first, consistent with the transmission order of the message. If the calculated CRC does not match the transmitted CRC, the command is ignored and the device responds with the SPI Error response.

The CRC decoding procedure is:

1. A seed value determined by the SPICRCSEED[3:0] value in the SPI\_CFG register is preset into the least significant bits of the shift register.
2. Using a serial CRC calculation method, the receiver rotates the received message and CRC into the least significant bits of the shift register in the order received (MSB first).
3. When the calculation on the last bit of the CRC is rotated into the shift register, the shift register contains the CRC check result.
4. If the shift register contains all zeros, the CRC is correct.
5. If the shift register contains a value other than zero, the CRC is incorrect.

The CRC polynomial and seed are shown in [Table 324](#).

**Table 324. SPI command message CRC, 4 bit**

Default polynomial	Non-direct seed
$x^4 + 1$	SPICRCSEED[3:0]

**14.4.2.4 Response error checking with 4-bit CRC**

The device calculates a CRC on the entire 32-bits of each response. Message data is entered into the CRC calculator MSB first, consistent with the transmission order of the message.

The CRC Encoding procedure is:

1. A seed value determined by the SPICRCSEED[3:0] value is preset into the least significant bits of the shift register.
2. Using a serial CRC calculation method, the transmitter rotates the transmitted message into the least significant bits of the shift register, MSB first.
3. Following the transmitted message, the transmitter feeds four zeros into the shift register, to match the length of the CRC.
4. When the last zero is fed into the input adder, the shift register contains the CRC.
5. The CRC is transmitted.

The CRC polynomial and seed are shown in [Table 325](#).

**Table 325. SPI response message CRC, 4-bit**

Default polynomial	Non-direct seed
$x^4 + 1$	SPICRCSEED[3:0]

**14.4.2.5 Message counter (KAC) with 4-bit CRC**

If the 4-bit CRC is enabled, a 4-bit message counter field (KAC) is added to the Sensor Data Request Response. The message counter field is a 4-bit rolling message counter that is independently incremented for each SOURCEID. The initial value of the counter is '0001'.

**14.4.2.6 Example 4-bit CRC calculations**

Some example CRC calculations for 32-bit SPI commands are shown in [Table 326](#).



**Table 326. SPI 4-bit CRC calculation examples**

Polynomial	Seed	Bits[31:28]	Bits[27:24]	Bits[23:16]	Bits[15:8]	Bits[7:4]	Bits[3:0]
		Command	0x0	Register address	Register data	0x0	4-bit CRC
$x^4 + 1$	1010	0x8	0x0	22	C1	0x0	0xF
$x^4 + 1$	1010	0x4	0x0	1F	C1	0x0	0xD
$x^4 + 1$	1010	0xC	0x0	22	00	0x0	0x6
$x^4 + 1$	1010	0x6	0x0	1F	C1	0x0	0xF
$x^4 + 1$	1010	0x4	0x0	FF	5A	0x0	0x1
$x^4 + 1$	1010	0xC	0x0	3E	00	0x0	0xB
$x^4 + 1$	1010	0x6	0x0	FF	5A	0x0	0x3

**14.4.3 Selectable 3-bit CRC**

The user can select a 3-bit CRC instead of the default 8-bit CRC for the SPI by programming the SPI\_CFG register as described in [Section 11.2.20](#).

**14.4.3.1 SPI command format with 3-bit CRC**

**Table 327. SPI command format with 3-bit CRC**

MSB																														LSB					
31	30	29	28	27	26	25	24	23	22	21	20	19	18	17	16	15	14	13	12	11	10	9	8	7	6	5	4	3	2	1	0				
Register Access Command																																			
Command				Fixed Bits: Must = 0x0				Register Address								Register Data								Fixed Bits: Must = 0x00				3-bit CRC							
C[3:0]				0 0 0 0				RA[7:1]								RA[0]								RD[7:0]				0 0 0 0 0				CRC[2:0]			
Sensor Data Command																																			
Command				Fixed Bits: Must = 0x00000																								Fixed Bits: Must = 0x00				3-bit CRC			
C[3:0]				0 0																								0 0 0 0 0				CRC[2:0]			

**14.4.3.2 SPI response format with 3-bit CRC**

**Table 328. SPI response format with 3-bit CRC**

MSB																														LSB									
31	30	29	28	27	26	25	24	23	22	21	20	19	18	17	16	15	14	13	12	11	10	9	8	7	6	5	4	3	2	1	0								
Response to Register Request																																							
Command				Basic Status		Unused Data = 0x0		Register Data: Contents of RA[7:1] High Byte								Register Data: Contents of RA[7:1] Low Byte								Unused Data = 0x00				3-bit CRC											
C[0]		C[3]		C[2]		C[1]		ST[1:0]		0		0		RD[15:8]								RD[7:0]								0 0 0 0 0				CRC[2:0]					
Response to Sensor Data Request																																							
Command				Basic Status		Sensor Data														Detail Status		KAC		1		3-bit CRC													
C[0]		C[3]		C[2]		C[1]		ST[1:0]		SD[11:0]								Optional SD resolution		SF[1:0]		KAC[3:0]		1		CRC[2:0]													
Error Response to Register Request																																							
Command				Basic Status		Unused Data = 0x0		Register Data: Contents of RA[7:1] High Byte								Register Data: Contents of RA[7:1] Low Byte								Unused Data = 0x00				3-bit CRC											
0		0		0		0		1		1		0		0		RD[15:8]								RD[7:0]								0 0 0 0 0				CRC[2:0]			
Error Response to Sensor Data Request With Sensor Data																																							
Command				Basic Status		Sensor Data														Detail Status		KAC		1		3-bit CRC													
C[0]		C[3]		C[2]		C[1]		1		1		SD[11:0]								Optional SD resolution		SF[1:0]		KAC[3:0]		1		CRC[2:0]											

Table 328. SPI response format with 3-bit CRC...continued

MSB																														LSB										
31	30	29	28	27	26	25	24	23	22	21	20	19	18	17	16	15	14	13	12	11	10	9	8	7	6	5	4	3	2	1	0									
Error Response to Sensor Data Request Without Sensor Data																																								
Command				Basic Status		x	Unused Data = 0x0000															Detail Status		Unused Data = 0x00				3-bit CRC												
0	0	0	0	1	1	x	0	0	0	0	0	0	0	0	0	0	0	0	0	0	0	0	0	0	0	0	0	0	0	0	0	0	SF[1:0]	0	0	0	0	0	0	CRC[2:0]

14.4.3.3 Command error checking with 3-bit CRC

The device calculates a 3-bit CRC on the entire 32-bits of each command. Message data is entered into the CRC calculator MSB first, consistent with the transmission order of the message. If the calculated CRC does not match the transmitted CRC, the command is ignored and the device responds with the SPI Error response.

The CRC decoding procedure is:

1. A seed value determined by the SPICRCSEED[2:0] value in the SPI\_CFG register is preset into the least significant bits of the shift register.
2. Using a serial CRC calculation method, the receiver rotates the received message and CRC into the least significant bits of the shift register in the order received (MSB first).
3. When the calculation on the last bit of the CRC is rotated into the shift register, the shift register contains the CRC check result.
4. If the shift register contains all zeros, the CRC is correct.
5. If the shift register contains a value other than zero, the CRC is incorrect.

The CRC polynomial and seed are shown in [Table 329](#).

Table 329. SPI command message CRC, 3 bit

Default polynomial	Non-direct seed
$x^3 + x + 1$	SPICRCSEED[2:0]

Some example CRC calculations are shown in [Table 263](#).

14.4.3.4 Response error checking with 3-bit CRC

The device calculates a CRC on the entire 32-bits of each response. Message data is entered into the CRC calculator MSB first, consistent with the transmission order of the message.

The CRC encoding procedure is:

1. A seed value determined by the SPICRCSEED[2:0] value is preset into the least significant bits of the shift register.
2. Using a serial CRC calculation method, the transmitter rotates the transmitted message into the least significant bits of the shift register, MSB first.
3. Following the transmitted message, the transmitter feeds three zeros into the shift register, to match the length of the CRC.
4. When the last zero is fed into the input adder, the shift register contains the CRC.
5. The CRC is transmitted.

The CRC polynomial and seed are shown in [Table 330](#).

**Table 330. SPI response message CRC, 3-bit**

Default polynomial	Non-direct seed
$x^3 + x + 1$	SPICRCSEED[2:0]

#### 14.4.3.5 Message (KAC) with 3-bit CRC

If the 3-bit CRC is enabled, a 4-bit message counter field (KAC) is added to the Sensor Data Request Response. The message counter field is a 4-bit rolling message counter that is independently incremented for each SOURCEID. The initial value of the counter is '0001'.

#### 14.4.3.6 Example 3-bit CRC calculations

Some example CRC calculations for 32-bit SPI commands are shown in [Table 331](#).

**Table 331. SPI 3-bit CRC calculation examples**

Polynomial	Seed	Bits[31:28]	Bits[27:24]	Bits[23:16]	Bits[15:8]	Bits[7:3]	Bits[2:0]
		Command (Hex)	0x0 (Hex)	Register address (Hex)	Register data (Hex)	0b00000 (Binary)	3-bit CRC (Binary)
$x^3 + x + 1$	111	0x8	0x0	22	C1	0b00000	0b100
$x^3 + x + 1$	111	0x4	0x0	1F	C1	0b00000	0b010
$x^3 + x + 1$	111	0xC	0x0	22	00	0b00000	0b001
$x^3 + x + 1$	111	0x6	0x0	1F	C1	0b00000	0b000
$x^3 + x + 1$	111	0x4	0x0	FF	5A	0b00000	0b000
$x^3 + x + 1$	111	0xC	0x0	3E	00	0b00000	0b101
$x^3 + x + 1$	111	0x6	0x0	FF	5A	0b00000	0b010

### 14.5 Exception handling

#### 14.5.1 Standard basic status reporting field

All responses include a basic status field (ST[1:0]) that includes the general status of the device and transmitted data as described in [Table 332](#) and [Table 333](#). The contents of the basic status field is a representation of the device status at the rising edge of SS\_B for the previous SPI command.

##### 14.5.1.1 Basic status field for responses to register commands

**Table 332. Basic status field for responses to register commands**

ST[1:0]		Status	Description	Priority
0	0	Device in Initialization	ENDINIT Not Set	3
0	1	Normal Mode	ENDINIT Set	4
1	0	Self-test	ST_CTRL[3:0] not equal to '0000' for any channel	2
1	1	Internal Error Present	See <a href="#">Figure 95</a>	1

### 14.5.1.2 Basic status field for responses to sensor data request commands

Table 333. Basic status field for responses to sensor data request commands

ST[1:0]		Status	Description	SF[1:0]		Sensor data field	Priority
0	0	Device in Initialization	ENDINIT Not Set	0	0	Sensor Data	3
0	1	Normal Mode	ENDINIT Set	0	0	Sensor Data	4
1	0	Self-test	ST_CTRL[3:0] not equal to '0000' for the associated channel	0	0	Sensor Data	2
1	1	Internal Error Present	See <a href="#">Section 14.5.3</a>	See <a href="#">Section 14.5.3</a>	See <a href="#">Section 14.5.3</a>		1

### 14.5.2 Alternative basic status reporting field

If the SPI\_STATUS bit is set in the SPI\_CFG register, the basic status reporting is as shown in [Table 334](#).

Table 334. Alternative basic status reporting field

ST[1:0]		Status	Description	SF[1:0]		Sensor data field	Priority
0	0	Device in Initialization	ENDINIT Not Set	0	0	Sensor Data	3
0	1	Normal Mode	ENDINIT Set	0	0	Sensor Data	4
1	0	Self-test	ST_CTRL[3:0] not equal to '0000' for the associated channel for dual axis	0	0	Sensor Data	2
1	1	Internal Error Present	See <a href="#">Section 14.5.4</a>	See <a href="#">Section 14.5.4</a>	See <a href="#">Section 14.5.4</a>		1

[Figure 95](#) shows the internal device status mapping by register and the basic status field contents by response type.

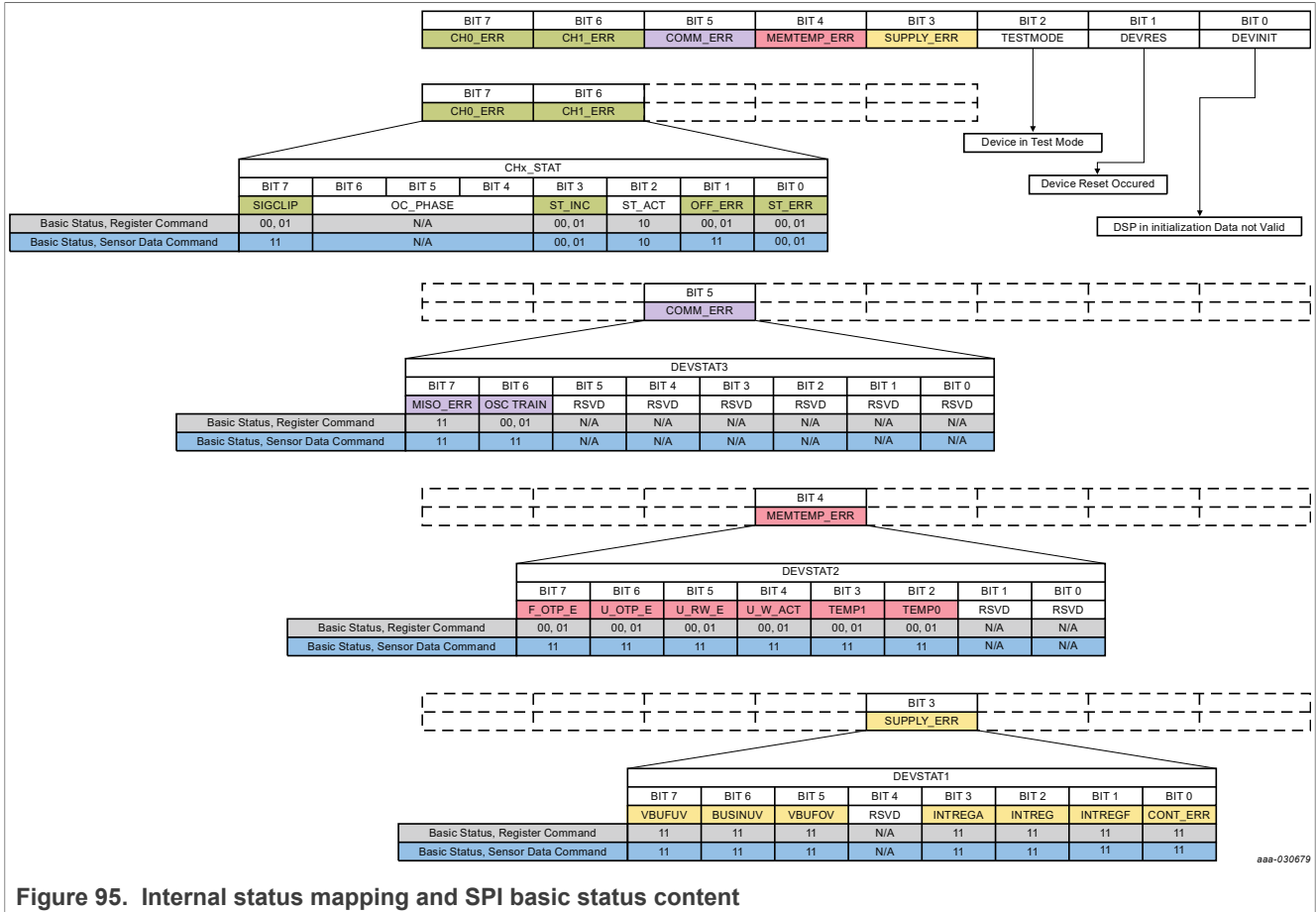


Figure 95. Internal status mapping and SPI basic status content

### 14.5.3 Standard detailed status field reporting

The response to sensor data requests includes a detailed status field (SF[1:0]). If the Basic Status indicates an internal error, the contents of the detailed status field provide additional information regarding the error status. The contents of the detailed status field is a representation of the device status at the rising edge of SS\_B for the previous SPI command.

Table 335. SPI error response status field definition

ST[1:0]	SF[1:0]	Status sources	DEVSTAT state	SUPERR_DIS state	Error priority	Command echo field (Source ID)	Sensor data request commands Sensor data field value	PCM		
1	1	0	0	Oscillator Training Error	Bit set in DEVSTAT3	N/A	11	C[0], C[3:1]	Sensor Data	No Effect
				Offset Error	Bit set in CHx_STAT: SIGNALCLIP or OFFSET_ERR	N/A	10	C[0], C[3:1]	Sensor Data	No Effect
				Temperature Error	Bit set in DEVSTAT2	N/A	9	C[0], C[3:1]	Sensor Data	No Effect
1	1	0	1	User OTP Memory Error (UF0 or UF1)	U_OTP_ERR set in DEVSTAT2	N/A	8	0x0	The Sensor Data Field Error Code is transmitted for a minimum of one transmission	No Effect
				User R/W Memory Error (UF2)	U_RW_ERR set in DEVSTAT2	N/A	7	0x0	The Sensor Data Field Error Code is transmitted for a minimum of one transmission	No Effect
				NXP OTP Memory Error	F_OTP_ERR set in DEVSTAT2	N/A	6	0x0	The Sensor Data Field Error Code is transmitted for a minimum of one transmission	No Effect

Table 335. SPI error response status field definition...continued

ST[1:0]	SF[1:0]	Status sources	DEVSTAT state	SUPERR_DIS state	Error priority	Command echo field (Source ID)	Sensor data request commands Sensor data field value	PCM		
1	1	1	0	Test Mode Active	TESTMODE bit set in DEVSTAT	N/A	5	0x0	All zero response	No Effect
				Supply Error	Bit set in DEVSTAT1	0	4	0x0	All zero response until the supply monitor timer expires An Error Code is transmitted for a minimum of one transmission (See <a href="#">Section 11.2.2.5</a> )	Disabled
							1	4	0x0	
Reset Error	DEVRES set	N/A	3	0x0	The Sensor Data Field Error Code is transmitted for a minimum of one transmission	No Effect				
1	1	1	1	MISO Error	Bit set in DEVSTAT3	N/A	2	0x0	The Sensor Data Field Error Code is transmitted for a minimum of one transmission	No Effect
				SPI Error	N/A	N/A	1	0x0	The Sensor Data Field Error Code is transmitted for a minimum of one transmission	No Effect

14.5.4 Alternative detailed status field reporting

The response to sensor data requests includes a detailed status field (SF[1:0]). If the Basic Status indicates an internal error, the contents of the detailed status field provide additional information regarding the error status. The contents of the detailed status field is a representation of the device status at the rising edge of SS\_B for the previous SPI command.

If the SPI\_STATUS bit is set in the SPI\_CFG register, the basic status reporting is shown in [Table 336](#).

Table 336. Alternate SPI error response status field definition

ST[1:0]	SF[1:0]	Status sources	DEVSTAT state	SUPERR_DIS state	Error priority	Command echo field (Source ID)	Sensor data request commands Sensor data field value	PCM		
1	1	0	0	Oscillator Training Error	Bit set in DEVSTAT3	N/A	11	C[0], C[3:1]	Sensor Data	No Effect
				Offset Error	Bit set in CHx_STAT: OFFSET_ERR	N/A	10	C[0], C[3:1]	Sensor Data	No Effect
				Temperature Error	Bit set in DEVSTAT2	N/A	9	C[0], C[3:1]	Sensor Data	No Effect
1	1	0	1	User OTP Memory Error (UF0 or UF1)	U_OTP_ERR set in DEVSTAT2	N/A	8	0x0	The Sensor Data Field Error Code is transmitted for a minimum of one transmission	No Effect
				User R/W Memory Error (UF2)	U_RW_ERR set in DEVSTAT2	N/A	7	0x0	The Sensor Data Field Error Code is transmitted for a minimum of one transmission	No Effect
				NXP OTP Memory Error	F_OTP_ERR set in DEVSTAT2	N/A	6	0x0	The Sensor Data Field Error Code is transmitted for a minimum of one transmission	No Effect
1	1	1	0	Test Mode Active	TESTMODE bit set in DEVSTAT	N/A	5	0x0	All zero response	No Effect
				Supply Error	Bit set in DEVSTAT1	0	4	0x0	All zero response until the supply monitor timer expires An Error Code is transmitted for a minimum of one transmission (See <a href="#">Section 11.2.2.5</a> )	Disabled
							1	4	0x0	
Reset Error	DEVRES set	N/A	3	0x0	The Sensor Data Field Error Code is transmitted for a minimum of one transmission	No Effect				

**Table 336. Alternate SPI error response status field definition...continued**

ST[1:0]	SF[1:0]	Status sources	DEVSTAT state	SUPERR_DIS state	Error priority	Command echo field (Source ID)	Sensor data request commands Sensor data field value	PCM
1	1	MISO Error	Bit set in DEVSTAT3	N/A	2	0x0	The Sensor Data Field Error Code is transmitted for a minimum of one transmission	No Effect
		SPI Error	N/A	N/A	1	0x0	The Sensor Data Field Error Code is transmitted for a minimum of one transmission	No Effect

### 14.5.5 Error responses

**Table 337. Error responses**

MSB																				LSB																
31	30	29	28	27	26	25	24	23	22	21	20	19	18	17	16	15	14	13	12	11	10	9	8	7	6	5	4	3	2	1	0					
Error Response to Register Request																																				
Command				Basic Status		Unused Data = 0x0		Register Data: Contents of RA[7:1] High Byte								Register Data: Contents of RA[7:1] Low Byte								8-bit CRC												
0	0	0	0	1	1	0	0	RD[15:8]								RD[7:0]								CRC[7:0]												
Error Response to Sensor Data Request With Sensor Data																																				
Command				Basic Status		Sensor Data												Detail Status		8-bit CRC																
C[0]	C[3]	C[2]	C[1]	1	1	SD[11:0]								Optional SD resolution				SF[1:0]		CRC[7:0]																
Error Response to Sensor Data Request Without Sensor Data																																				
Command				Basic Status		x		Unused Data = 0x0000																Detail Status		8-bit CRC										
0	0	0	0	1	1	x	0	0	0	0	0	0	0	0	0	0	0	0	0	0	0	0	0	0	0	0	0	0	0	0	0	SF[1:0]	CRC[7:0]			

**Table 338. Error response description**

Bit field	Definition
C[3:0]	Command bits: all 0s or a command echo
SD[11:0]	Sensor Data or the Sensor Data Field Error Code. <ul style="list-style-type: none"> <li>For unsigned data, the Sensor Data Field Error Code is 0x000</li> <li>For signed data, the Sensor Data Field Error Code is 0x800</li> </ul> See <a href="#">Section 14.5.3</a> for Sensor Data Request commands. For all other commands, all bits are '0'.
SF[3:0]	Status. See <a href="#">Section 14.5.3</a>

### 14.5.6 SPI error

The following external SPI conditions result in a SPI error:

- SCLK is high when SS\_B is asserted
- The number of SCLK rising edges detected while SS\_B is asserted is not equal to 0 or 32
- SCLK is high when SS\_B is deasserted
- A command message CRC error is detected (MOSI)
- A Sensor Data Request is received for a SOURCEID that is not enabled
- A Register Write command to any register other than the DEVLOCK\_WR register is received while ENDINIT is set.

If a SPI error is detected, the device responds with the Error Response as described in [Section 14.5.4](#) with the Detailed Status Field set to "SPI Error" as defined in [Section 14.5.3](#).

**14.5.7 SPI data output verification error**

The device includes a function to verify the integrity of the data output to the MISO pin. The function compares the data transmitted on the MISO pin to the data intended to be transmitted. If any one bit doesn't match, a SPI MISO Mismatch Fault is detected and the MISO\_ERR flag in the DEVSTAT3 register is set.

If a valid sensor data request message is received during the SPI transfer with the MISO mismatch failure, the request is ignored and the device responds with the Error Response as described in [Section 14.5.4](#) with the Detailed Status Field set to "SPI Error" as defined in [Section 14.5.3](#). during the subsequent SPI message.

If a valid register write request message is received during the SPI transfer with the MISO mismatch failure, the register write is completed as requested, but the device responds with the Error Response as described in [Section 14.5.4](#) with the Detailed Status Field set to "SPI Error" as defined in [Section 14.5.3](#). during the subsequent SPI message.

If a valid register read request message is received during the SPI transfer with the MISO mismatch failure, the register read is ignored and the device responds with the Error Response as described in [Section 14.5.4](#) with the Detailed Status Field set to "SPI Error" as defined in [Section 14.5.3](#). during the subsequent SPI message.

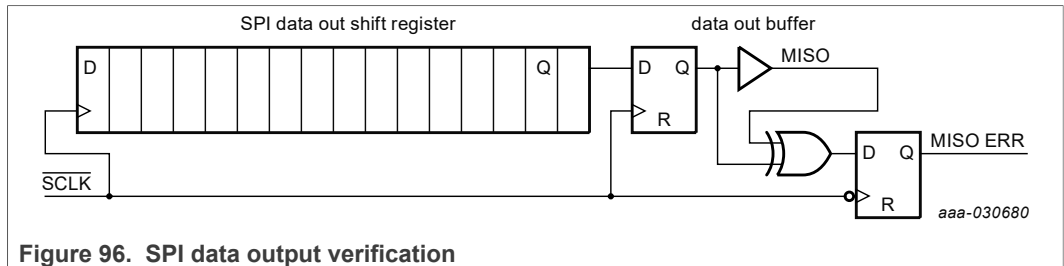


Figure 96. SPI data output verification



**14.6 SPI timing diagram**

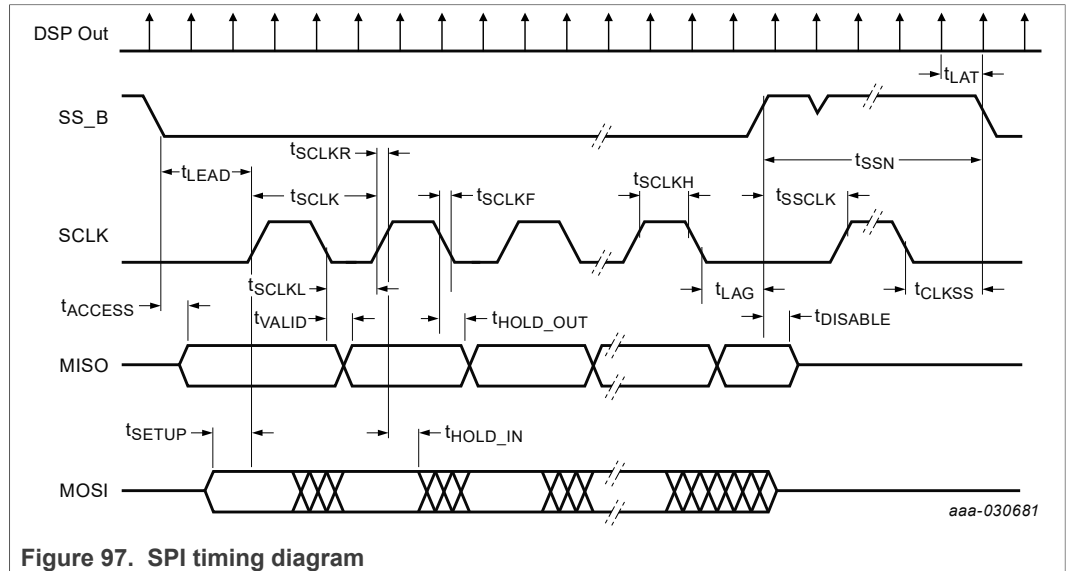


Figure 97. SPI timing diagram

**15 Inter-integrated circuit (I<sup>2</sup>C) interface**

The device includes an interface compliant to the NXP I<sup>2</sup>C bus specification UM10204<sup>[1]</sup>. The device operates in slave mode and includes support for Standard Mode, Fast Mode, and Fast Mode Plus although the maximum practical operating frequency for I<sup>2</sup>C in a given system implementation depends on several factors including the pull-up resistor values and the total bus capacitance.

**15.1 I<sup>2</sup>C bit transmissions**

The state of SDA when SCL is high determines the bit value being transmitted. SDA must be stable when SCL is high and change when SCL is low as shown in Figure 99. After the START signal has been transmitted by the master, the bus is considered busy. Timing for the start condition is specified in Section 10.14.

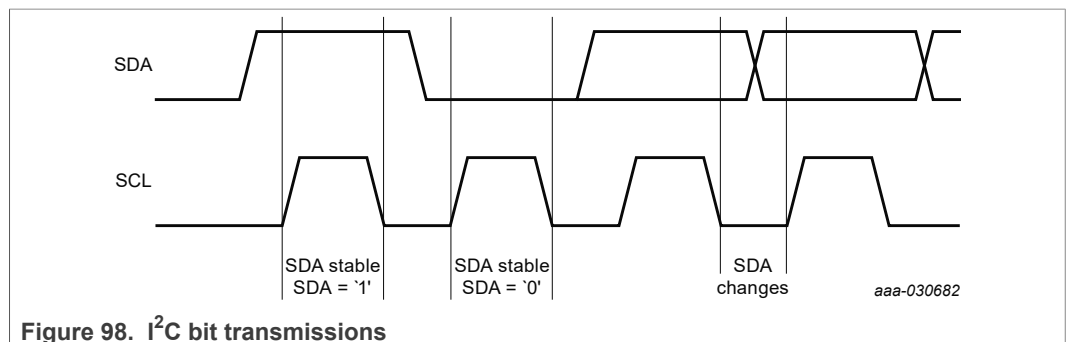


Figure 98. I<sup>2</sup>C bit transmissions

**15.2 I<sup>2</sup>C start condition**

A bus operation is always started with a start condition (START) from the master. A START is defined as a high to low transition on SDA while SCL is high as shown

in [Figure 99](#). After the START signal has been transmitted by the master, the bus is considered busy. Timing for the start condition is specified in [Section 10.14](#).

A start condition (START) and a repeat START condition (rSTART) are identical.

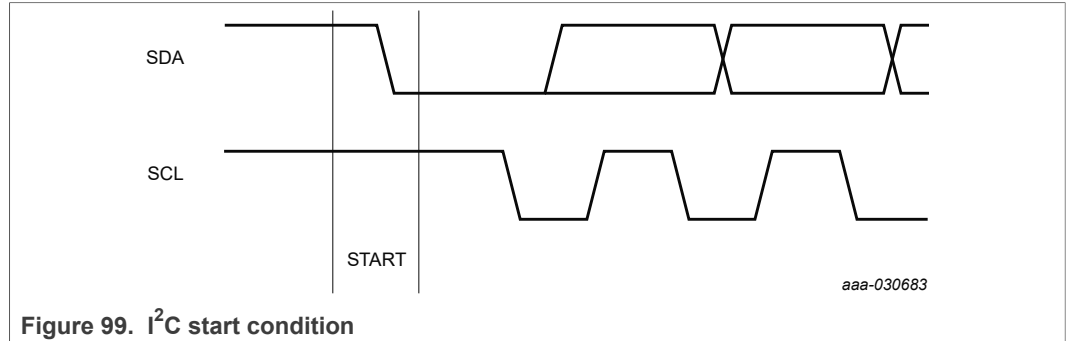


Figure 99. I<sup>2</sup>C start condition

### 15.3 I<sup>2</sup>C byte transmissions

Data transfers are completed in byte increments. The number of bytes that can be transmitted per transfer is unrestricted. Each byte must be followed by an Acknowledge bit ([Section 15.4](#)) from the receiver. Data is transferred with the Most Significant Bit (MSB) first ([Figure 100](#)). The master generates all clock pulses, including the ninth clock for the Acknowledge bit. Timing for the byte transmissions is specified in [Section 10.14](#).

All functions for this device are completed within the Acknowledge clock pulse. Clock Stretching is not used.

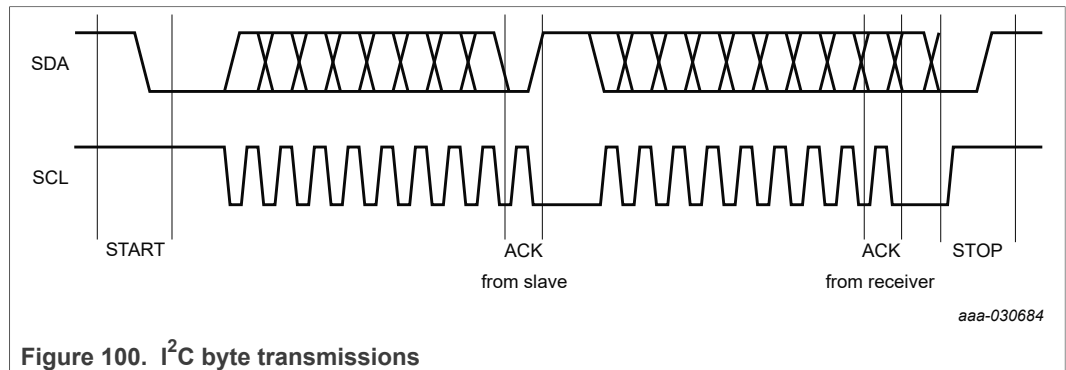


Figure 100. I<sup>2</sup>C byte transmissions

### 15.4 I<sup>2</sup>C acknowledge and not acknowledge transmissions

Each byte must be followed by an Acknowledge bit (ACK) from the receiver. For an ACK, the transmitter releases SDA during the acknowledge clock pulse and the receiver pulls SDA low during the high portion of the clock pulse. Set-up and hold times as specified in [Section 10.14](#) must also be taken into account.

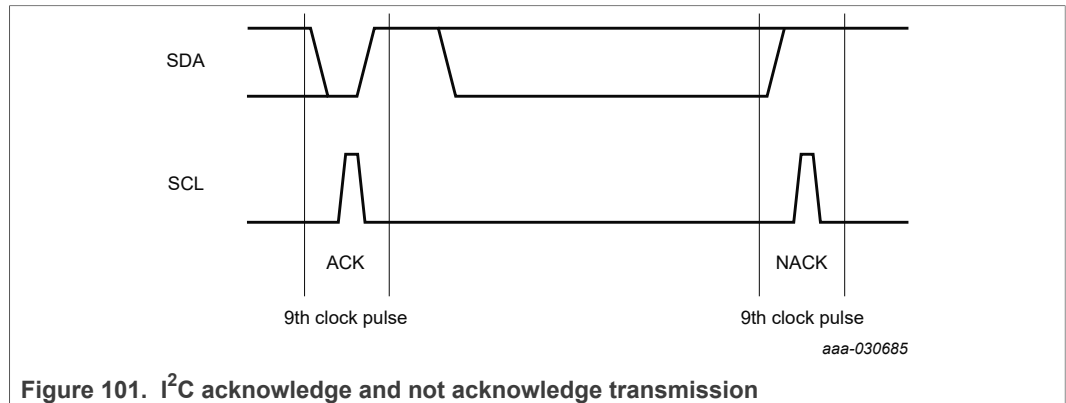
For a Not Acknowledge bit (NACK), SDA remains high during the entire acknowledge clock pulse. Five conditions lead to a NACK:

1. No receiver is present on the bus with the transmitted address.
2. The addressed receiver is unable to receive or transmit because it is performing some real-time function and is not ready to start communication with the master.
3. The receiver receives unrecognized data or commands.
4. The receiver cannot receive any more data bytes.

5. The master-receiver signals the end of the transfer to the slave transmitter.

Following a Not Acknowledge bit, the master can transmit either a STOP to terminate the transfer, or a repeated START to initiate a new transfer.

An example ACK and NACK are shown in [Figure 101](#).

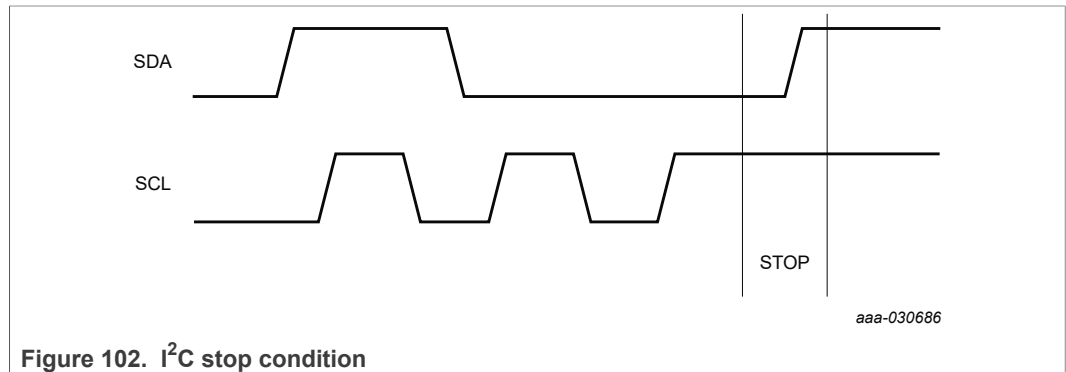


## 15.5 I<sup>2</sup>C stop condition

A bus operation is always terminated with a stop condition (STOP) from the master.

A STOP is defined as a Low to high transition on SDA while SCL is high as shown in [Figure 102](#). After the STOP has been transmitted by the master, the bus is considered free.

Timing for the stop condition is specified in [Section 10.14](#).



## 15.6 I<sup>2</sup>C register transfers

### 15.6.1 Register write transfers

The device supports I<sup>2</sup>C register write data transfers. Register write data transfers are constructed as follows:

1. The master transmits a START condition
2. The master transmits the 7-bit slave address
3. The master transmits a '0' for the Read/Write Bit to indicate a Write operation
4. The slave transmits an ACK
5. The master transmits the register address to be written
6. The slave transmits an ACK
7. The master transmits the data byte to be written to the register address

8. The slave transmits an ACK
9. The master transmits a STOP condition



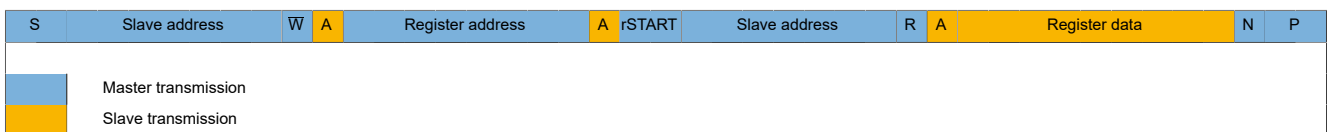
The device automatically increments the register address allowing for multiple register writes to be completed in one trans-action. In this case, the register write data transfers are constructed as follows:

1. The master transmits a START condition
2. The master transmits the 7-bit slave address
3. The master transmits a '0' for the Read/Write Bit to indicate a Write operation
4. The slave transmits an ACK
5. The master transmits the register address to be written
6. The slave transmits an ACK
7. The master transmits the data byte to be written to the register address
8. The slave transmits an ACK
9. The master transmits the data byte to be written to the register address +1
10. The slave transmits an ACK
11. Repeat [step 9](#) and [step 10](#) until all registers are written
12. The master transmits a STOP condition

**15.6.2 Register read transfers**

The device supports I<sup>2</sup>C register read data transfers. Register read data transfers are constructed as follows:

1. The master transmits a START condition
2. The master transmits the 7-bit slave address
3. The master transmits a '0' for the Read/Write Bit to indicate a Write operation
4. The slave transmits an ACK
5. The master transmits the register address to be read
6. The slave transmits an ACK
7. The master transmits a repeat START condition
8. The master transmits the 7-bit slave address
9. The master transmits a '1' for the Read/Write Bit to indicate a Read operation
10. The slave transmits an ACK
11. The slave transmits the data from the register addressed
12. The master transmits a NACK
13. The master transmits a STOP condition



The device automatically increments the register address allowing for multiple register reads to be completed in one trans-action. In this case, the register read data transfers are constructed as follows:

1. The master transmits a START condition
2. The master transmits the 7-bit slave address
3. The master transmits a '0' for the Read/Write Bit to indicate a Write operation
4. The slave transmits an ACK
5. The master transmits the register address to be read
6. The slave transmits an ACK
7. The master transmits a repeat START condition
8. The master transmits the 7-bit slave address
9. The master transmits a '1' for the Read/Write Bit to indicate a Read operation
10. The slave transmits an ACK
11. The slave transmits the data from the register addressed
12. The master transmits an ACK
13. The slave transmits the data byte from register address +1
14. Repeat [step 12](#) and [step 13](#) until all registers are read
15. The master transmits a NACK
16. The master transmits a STOP condition

**15.6.3 Sensor data register read wrap around options**

The device includes automatic sensor data register read wrap around features to optimize the number of I<sup>2</sup>C transactions necessary for continuous reads of sensor data.

**15.6.3.1 Single channel register read wrap around**

Depending on the state of the SIDx\_EN bits in the channel 0 and channel 1 SOURCEID\_0 and SOURCEID\_1 registers, the register address automatically wraps back to the DEVSTAT\_COPY register as shown in .

**Table 339. Dual channel register read wrap around**

Ch1 SID1_EN	Ch1 SID0_EN	Ch0 SID1_EN	Ch0 SID0_EN	Address increment and wrap around effect	Optimized register read sequence
0	0	0	0	Address wraps around from \$FF to \$00	None
0	0	0	1	Address wraps from \$63 (CH0_SNSDATA0_H) to \$61 (DEVSTAT_COPY)	DEVSTAT_COPY, CH0_SNSDATA0_L, CH0_SNSDATA0_H
0	0	1	x	Address wraps from \$65 (CH0_SNSDATA1_H) to \$61 (DEVSTAT_COPY)	DEVSTAT_COPY, CH0_SNSDATA0_L, CH0_SNSDATA0_H, CH0_SNSDATA1_L, CH0_SNSDATA1_H
0	1	x	x	Address jumps from \$65 (CH0_SNSDATA1_H) to \$72 (CH1_SNSDATA0_L) Address wraps from \$73 (CH1_SNSDATA1_H) to \$61 (DEVSTAT_COPY)	DEVSTAT_COPY, CH0_SNSDATA0_L, CH0_SNSDATA0_H, CH0_SNSDATA1_L, CH0_SNSDATA1_H, CH1_SNSDATA0_L, CH1_SNSDATA0_H

Table 339. Dual channel register read wrap around...continued

Ch1 SID1_EN	Ch1 SID0_EN	Ch0 SID1_EN	Ch0 SID0_EN	Address increment and wrap around effect	Optimized register read sequence
1	x	x	x	Address jumps from \$65 (CH0_SNSDATA1_H) to \$72 (CH1_SNSDATA0_L) Address wraps from \$75 (CH1_SNSDATA1_H) to \$61 (DEVSTAT_COPY)	DEVSTAT_COPY, CH0_SNSDATA0_L, CH0_SNSDATA0_H, CH0_SNSDATA1_L, CH0_SNSDATA1_H, CH1_SNSDATA0_L, CH1_SNSDATA0_H, CH1_SNSDATA1_L, CH1_SNSDATA1_H

### 15.7 I<sup>2</sup>C timing diagram

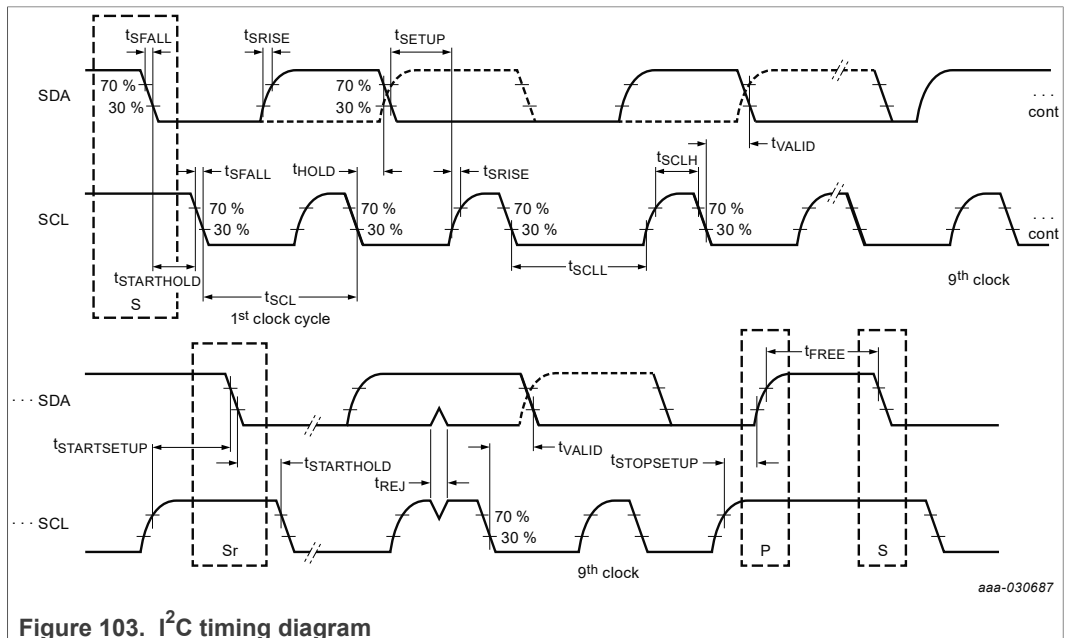
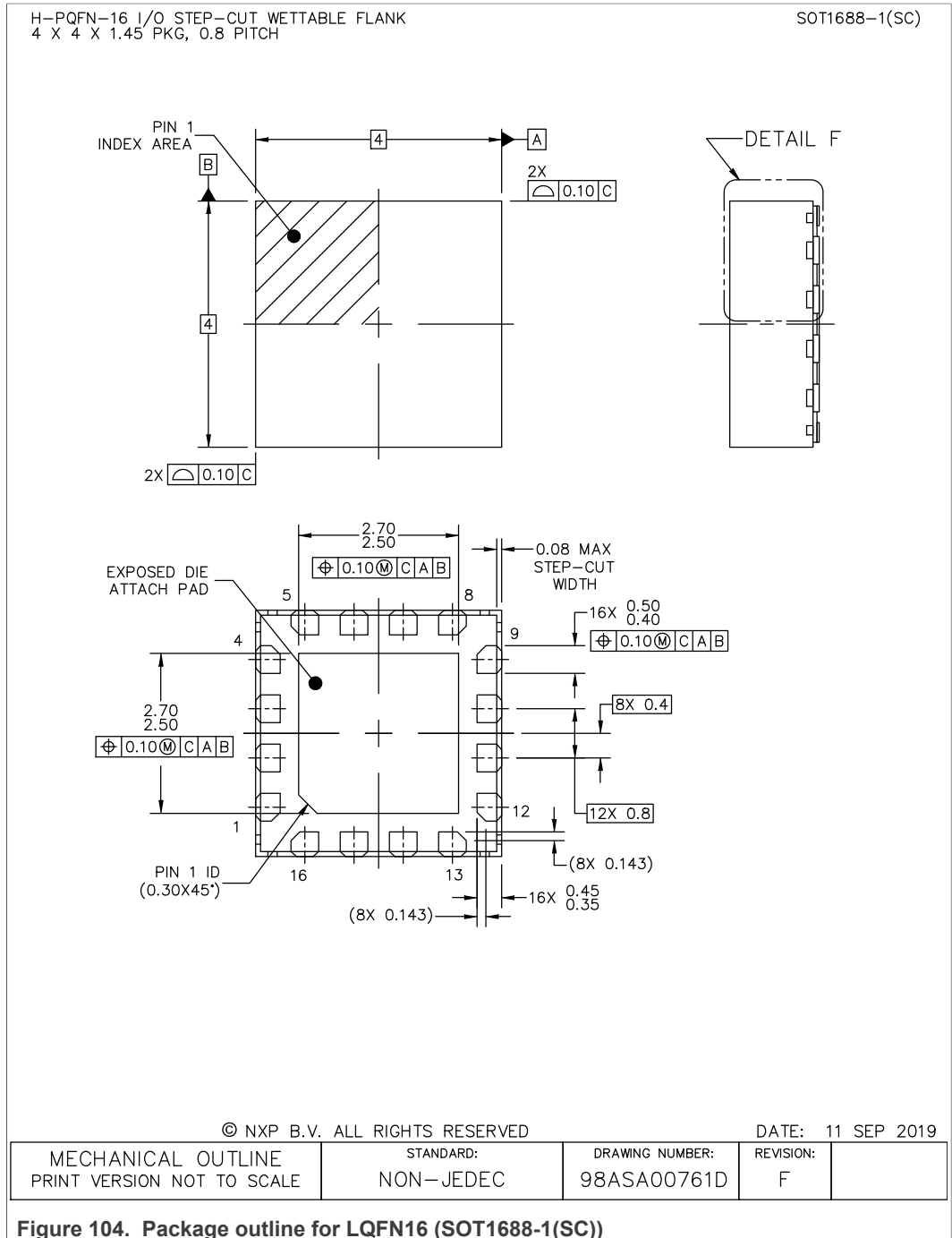
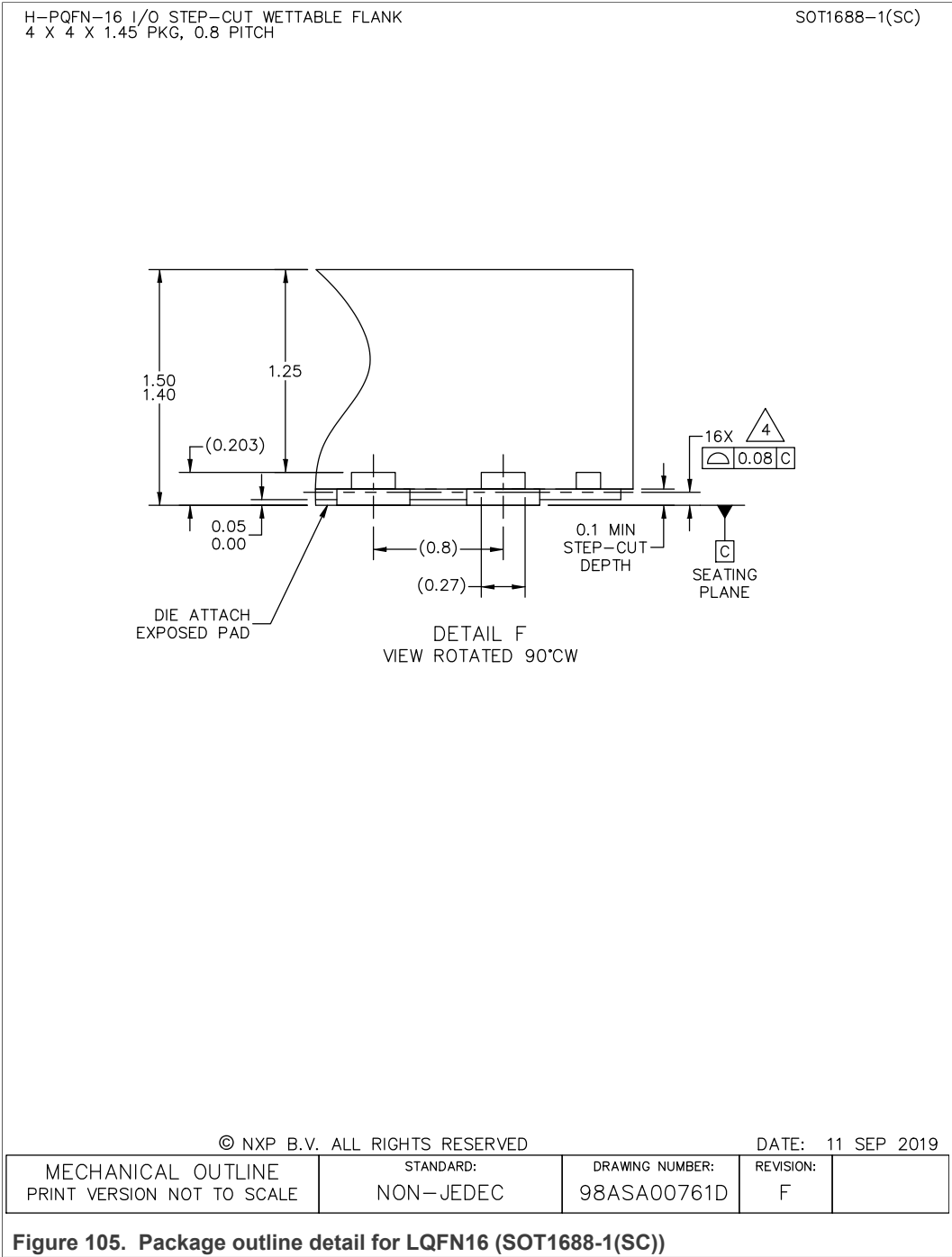


Figure 103. I<sup>2</sup>C timing diagram

16 Package outline



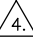




H-PQFN-16 I/O STEP-CUT WETTABLE FLANK  
4 X 4 X 1.45 PKG, 0.8 PITCH

SOT1688-1(SC)

NOTES:

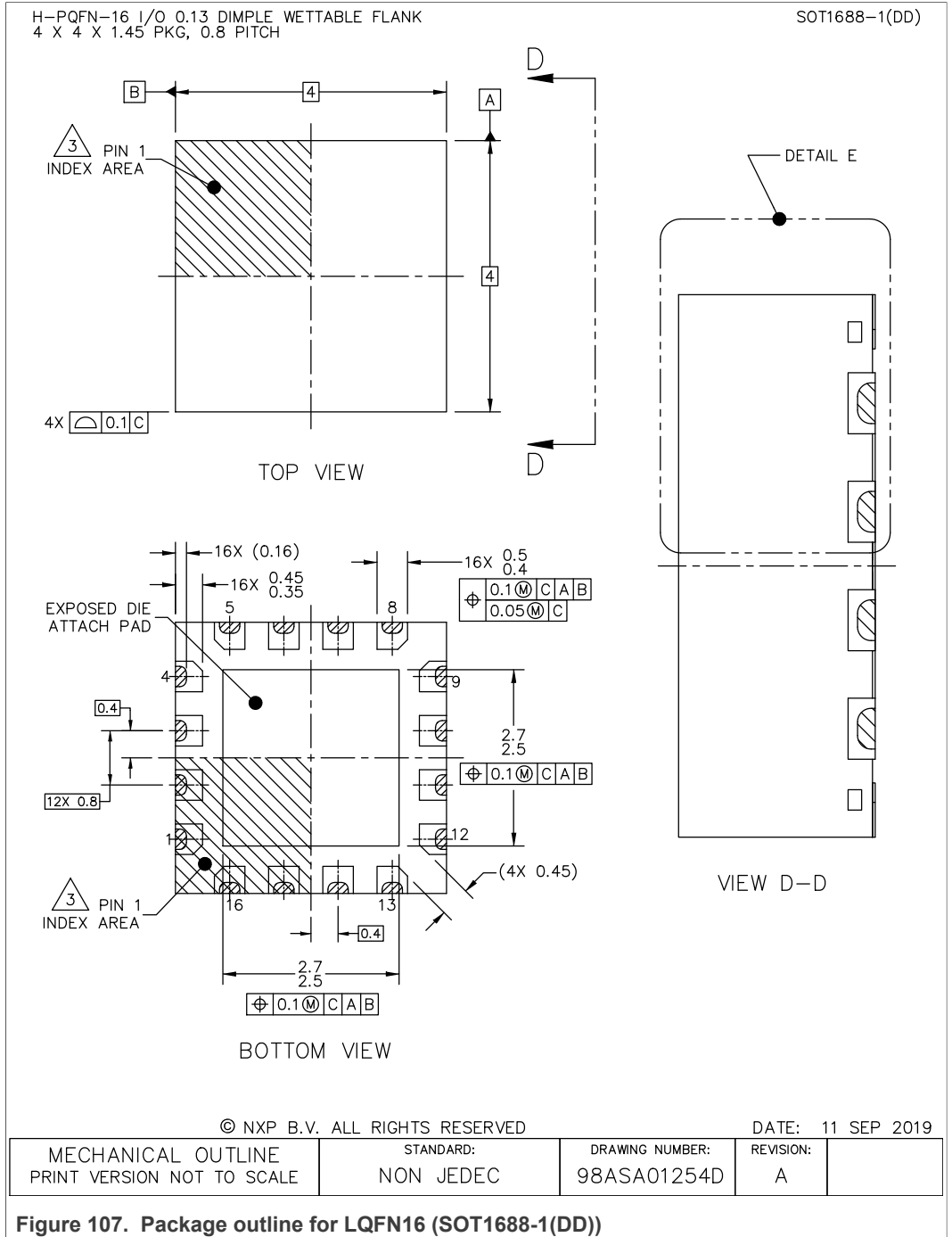
1. ALL DIMENSIONS ARE IN MILLIMETERS.
2. DIMENSIONING AND TOLERANCING PER ASME Y14.5M-1994.
3. THIS IS A NON-JEDEC REGISTERED PACKAGE.
4.  COPLANARITY APPLIES TO LEADS AND DIE ATTACH FLAG.
5. MINIMUM METAL GAP SHOULD BE 0.15 MM.
6. RECOMMENDED STENCIL AND SOLDER PASTED AREA ARE IN SHEET 3 TO 5.

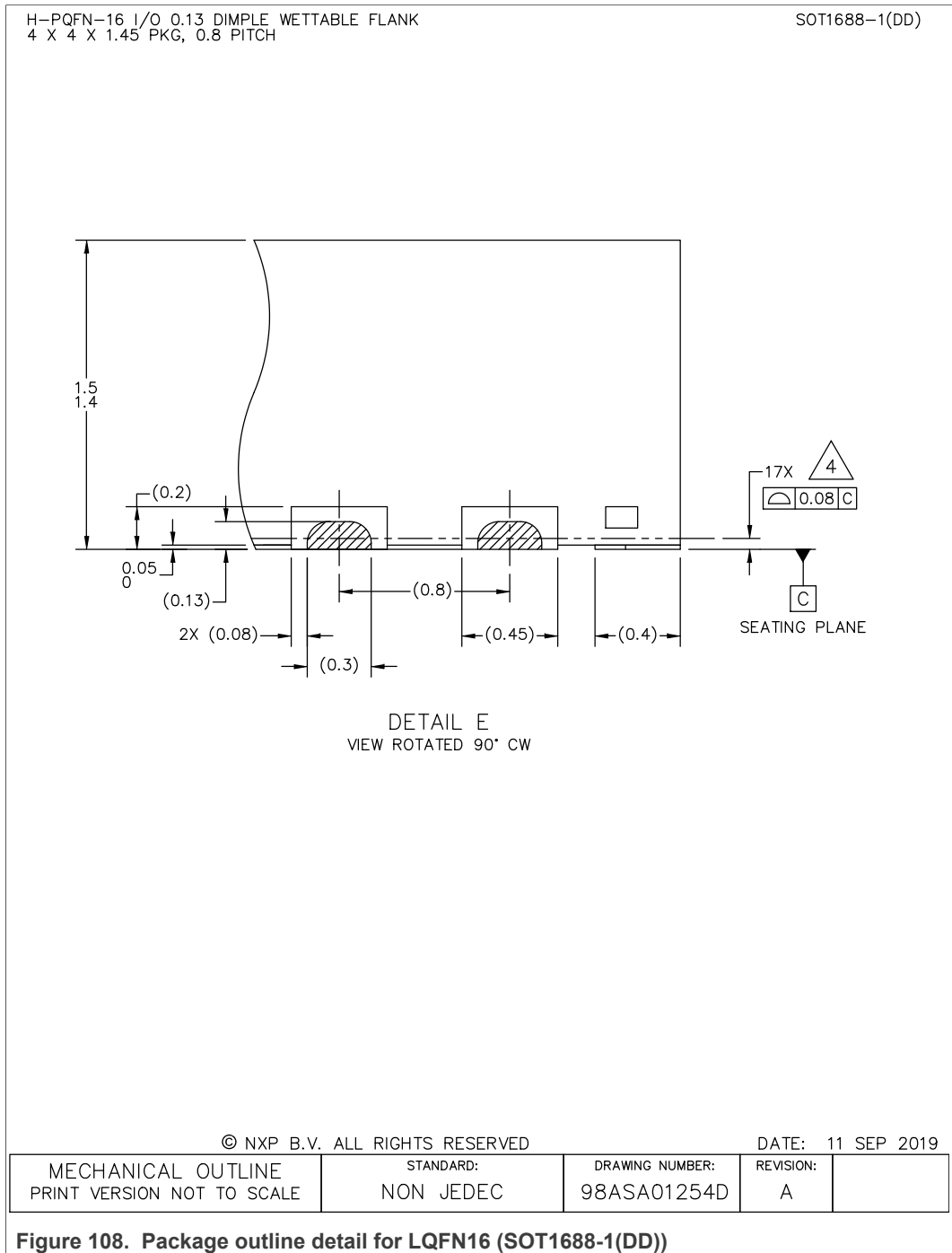
© NXP B.V. ALL RIGHTS RESERVED

DATE: 11 SEP 2019

MECHANICAL OUTLINE PRINT VERSION NOT TO SCALE	STANDARD: NON-JEDEC	DRAWING NUMBER: 98ASA00761D	REVISION: F	
--	------------------------	--------------------------------	----------------	--

**Figure 106. Package outline notes for LQFN16 (SOT1688-1(SC))**

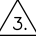
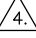




H-PQFN-16 I/O 0.13 DIMPLE WETTABLE FLANK  
 4 X 4 X 1.45 PKG, 0.8 PITCH

SOT1688-1(DD)

NOTES:

1. ALL DIMENSIONS ARE IN MILLIMETERS.
2. DIMENSIONING AND TOLERANCING PER ASME Y14.5M-1994.
3.  PIN 1 FEATURE SHAPE, SIZE AND LOCATION MAY VARY.
4.  COPLANARITY APPLIES TO LEADS, DIE ATTACH FLAG.
5. MIN. METAL GAP SHOULD BE 0.25 MM.
6. RECOMMENDED STENCIL AND SOLDER PASTED AREA ARE IN SHEET 3 TO 5.

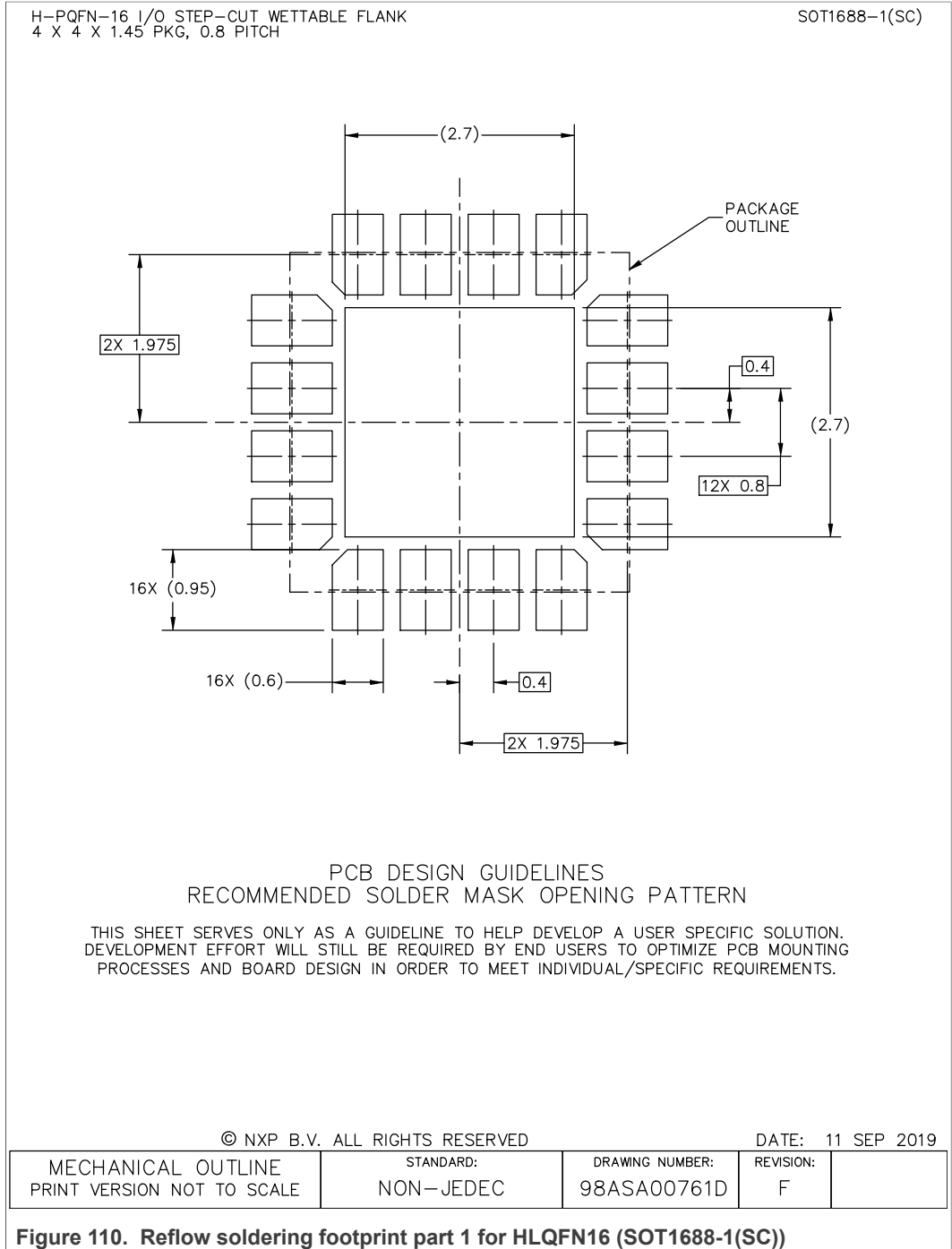
© NXP B.V. ALL RIGHTS RESERVED

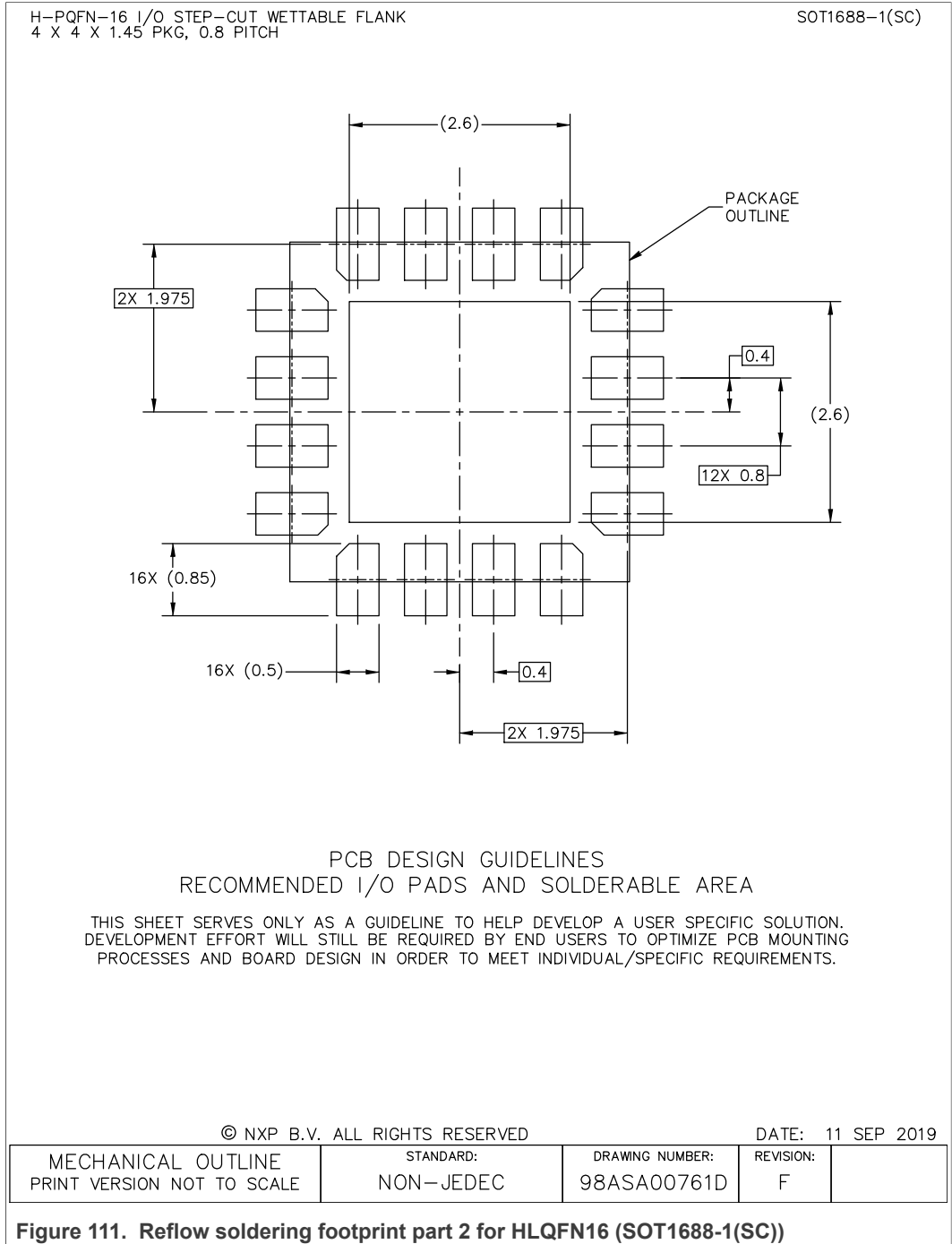
DATE: 11 SEP 2019

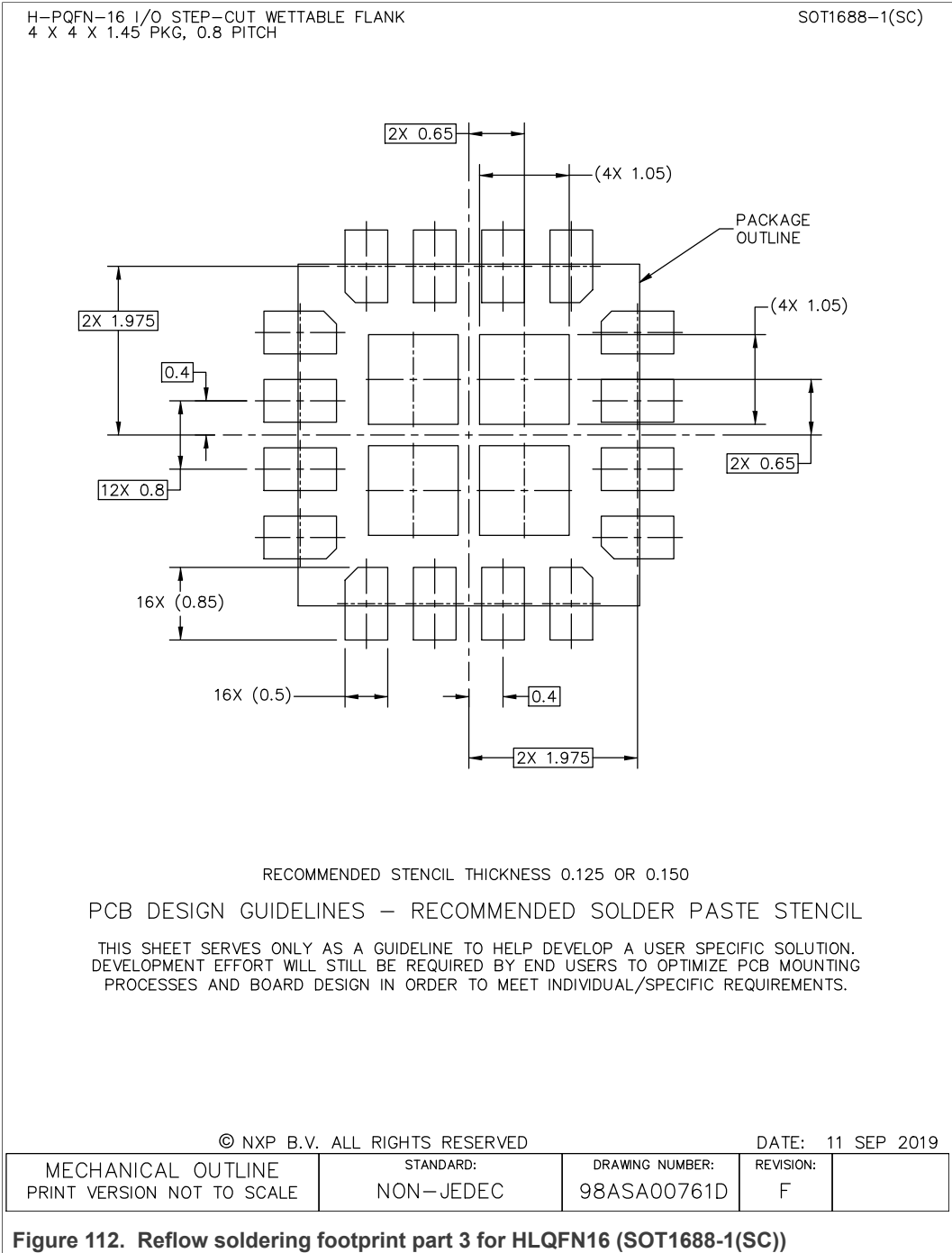
MECHANICAL OUTLINE PRINT VERSION NOT TO SCALE	STANDARD: NON JEDEC	DRAWING NUMBER: 98ASAO1254D	REVISION: A	
--	------------------------	--------------------------------	----------------	--

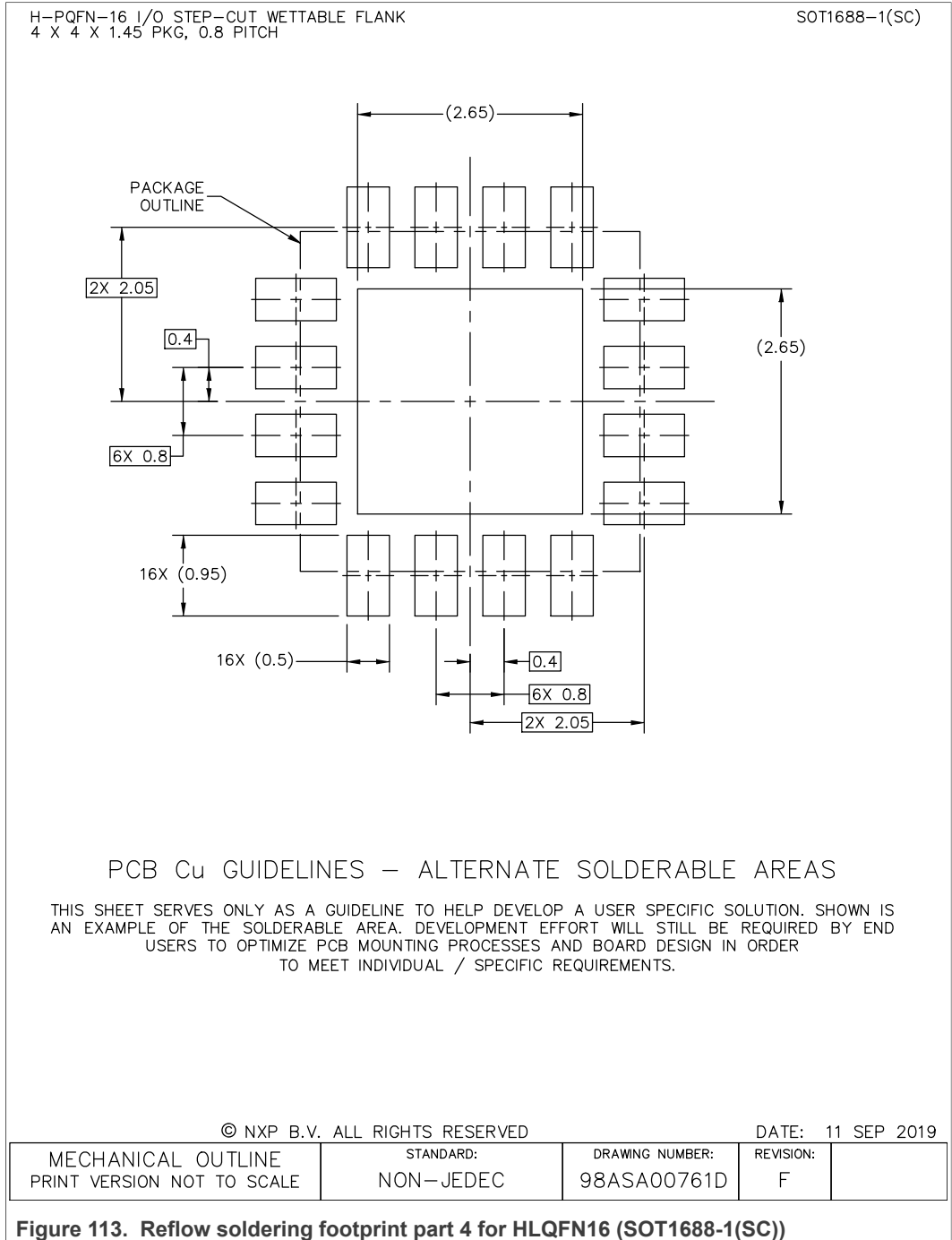
**Figure 109. Package outline notes for LQFN16 (SOT1688-1(DD))**

**17 Soldering**

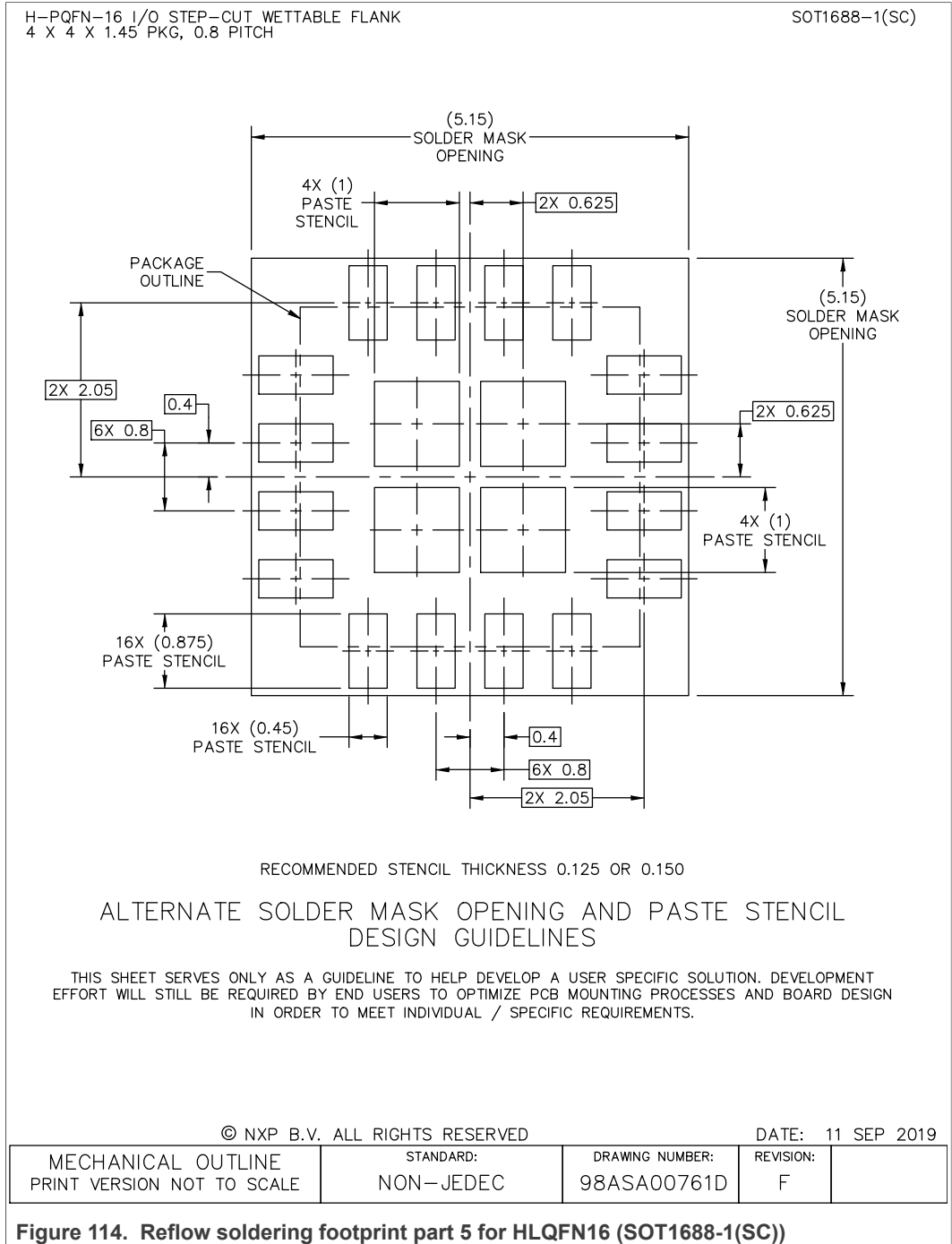


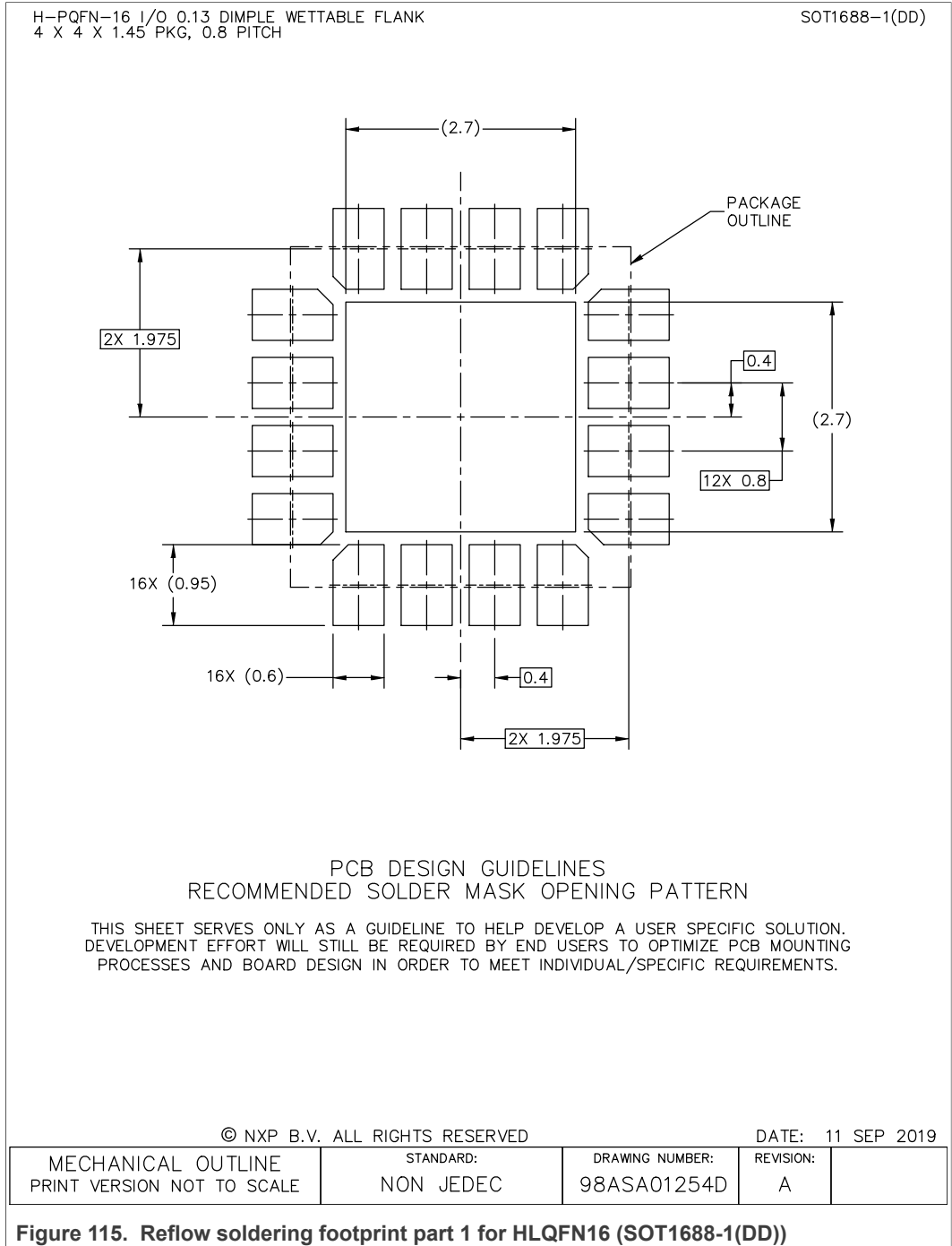


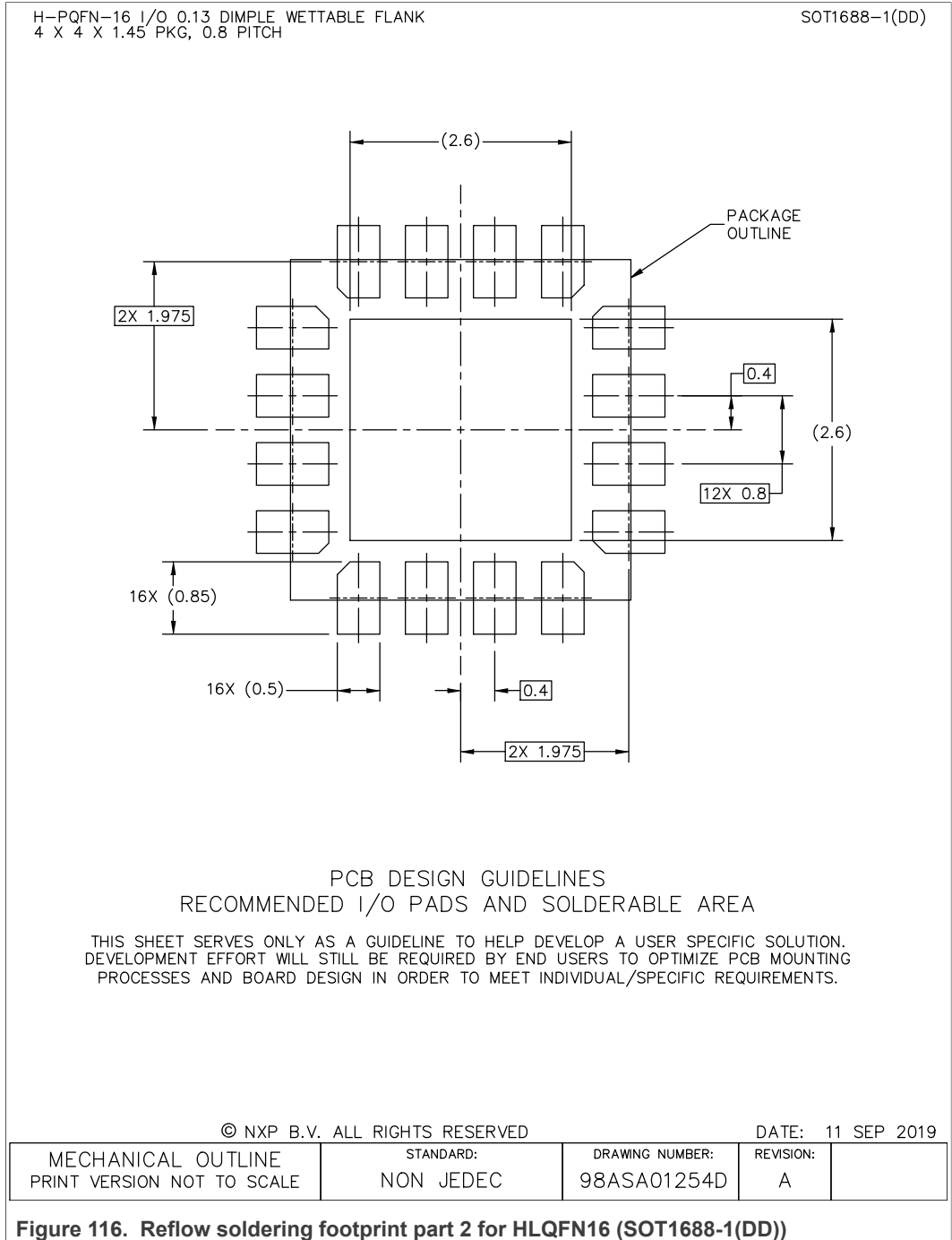


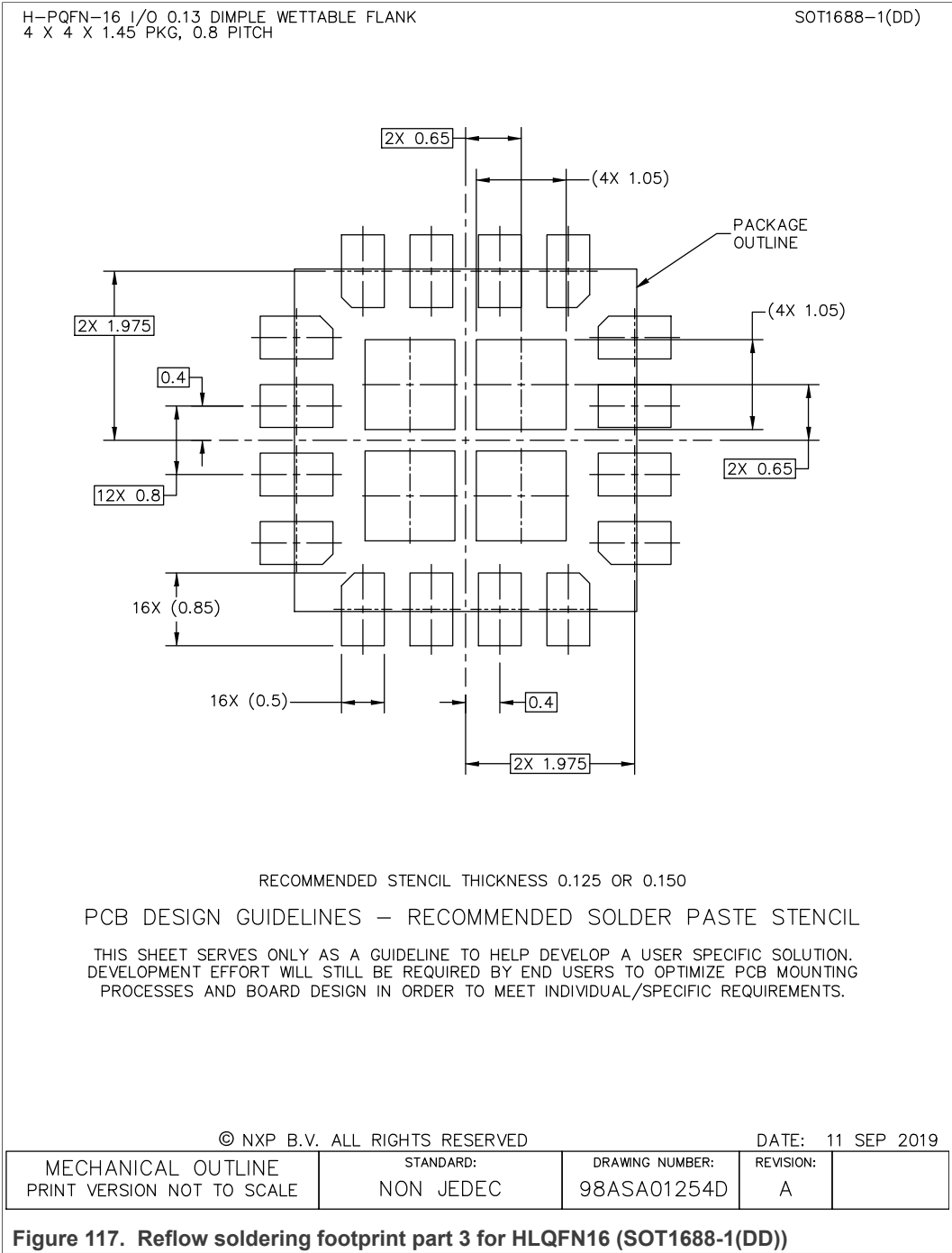


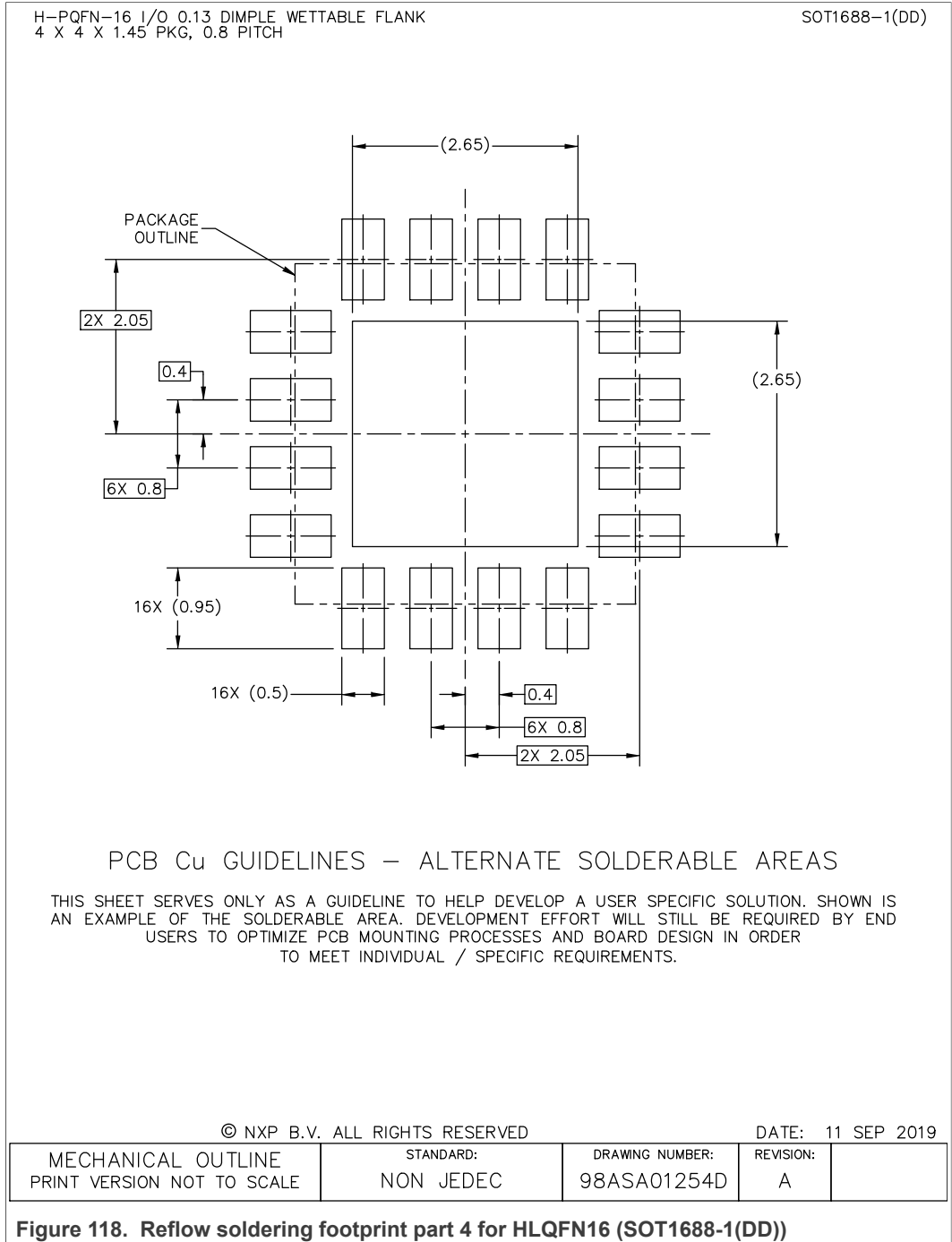


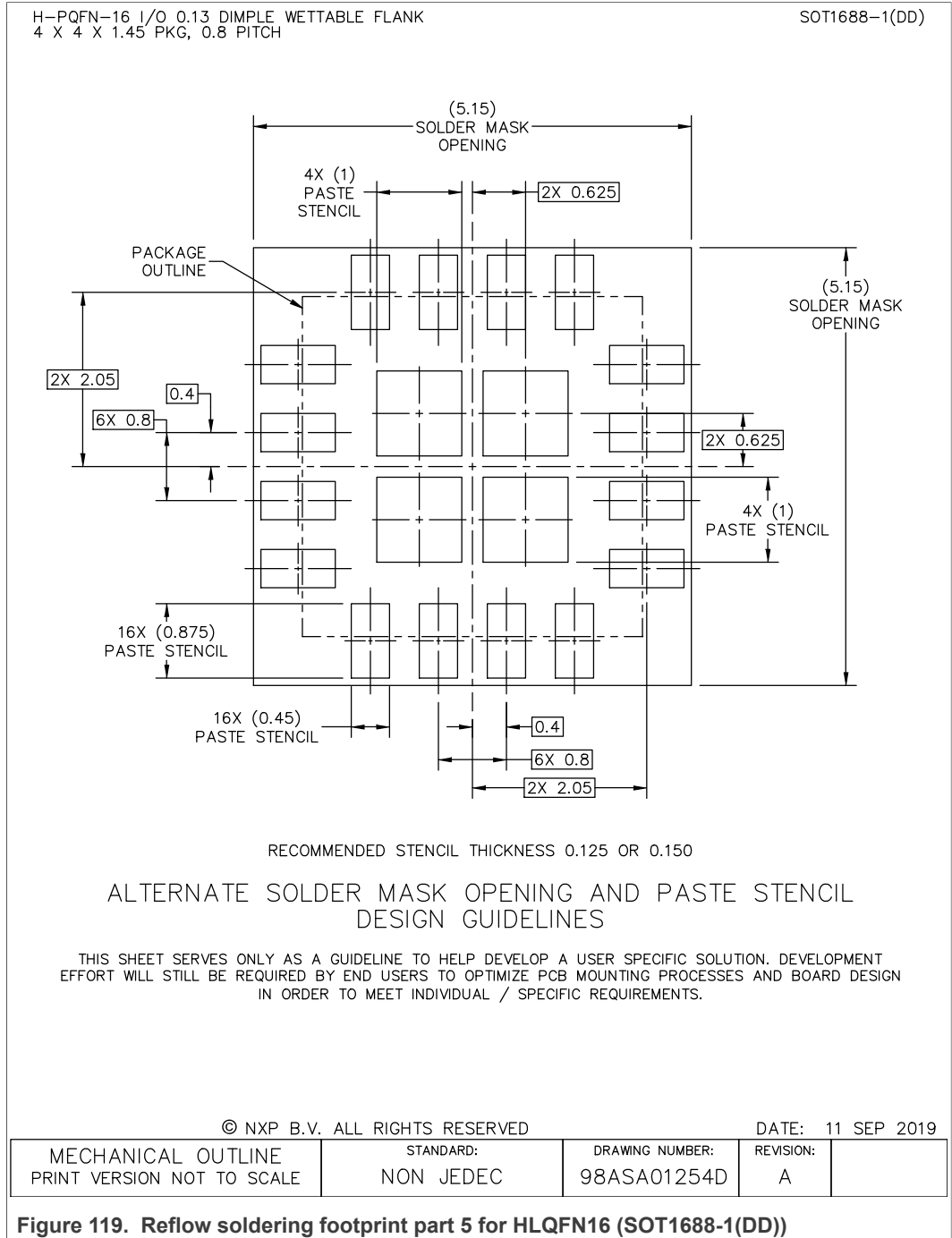












## 18 References

- [1] **UM10204** - I<sup>2</sup>C-bus specification and user manual, Revision 6  
<https://www.nxp.com/docs/en/user-guide/UM10204.pdf>
- [2] DSI3 Standard Revision 1.0, Dated February 16, 2011  
[https://www.dsiconsortium.org/downloads/DSI3\\_%20Bus\\_Standard\\_r1.00.pdf](https://www.dsiconsortium.org/downloads/DSI3_%20Bus_Standard_r1.00.pdf)
- [3]p AKLV27 V1.40, Revision 1.20

- [4] AEC - Q100 - Rev-H, September 11, 2014 - Failure Mechanism Based Stress Test Qualification for Integrated Circuits  
[http://www.aecouncil.com/Documents/AEC\\_Q100\\_Rev\\_H\\_Base\\_Document.pdf](http://www.aecouncil.com/Documents/AEC_Q100_Rev_H_Base_Document.pdf)  
AECQ100, Revision H, AEC-Q006  
[http://www.aecouncil.com/Documents/AEC\\_Q100\\_Rev\\_H\\_Base\\_Document.pdf](http://www.aecouncil.com/Documents/AEC_Q100_Rev_H_Base_Document.pdf)
- [5] PSI5 Technical Specification Version 2.1, Dated October 8, 2012

## 19 Revision history

**Table 340. Revision history**

Document ID	Release date	Data sheet status	Change notice	Supersedes
FXLS9xxxx v.6	20210208	Product data sheet	—	FXLS9xxxx v.5.15
Modifications	<ul style="list-style-type: none"> <li>• This data sheet has been formatted to comply with the identity guidelines of NXP Semiconductors, N.V.</li> <li>• FXLS9xxxx, v.6, Dual Channel Inertial Sensor, supercedes and replaces FXLS9xxxx, v.5.15, Dual Channel Inertial Sensor.</li> <li>• Global changes:               <ul style="list-style-type: none"> <li>– Performed minor grammatical and typographic revisions throughout.</li> <li>– Updated all images to comply with NXP image standards.</li> </ul> </li> </ul>			
FXLS9xxxx v.5.15	20201208	Product data sheet	—	FXLS9xxxx v.5.14



## 20 Legal information

### 20.1 Data sheet status

Document status <sup>[1][2]</sup>	Product status <sup>[3]</sup>	Definition
Objective [short] data sheet	Development	This document contains data from the objective specification for product development.
Preliminary [short] data sheet	Qualification	This document contains data from the preliminary specification.
Product [short] data sheet	Production	This document contains the product specification.

[1] Please consult the most recently issued document before initiating or completing a design.

[2] The term 'short data sheet' is explained in section "Definitions".

[3] The product status of device(s) described in this document may have changed since this document was published and may differ in case of multiple devices. The latest product status information is available on the Internet at URL <http://www.nxp.com>.

### 20.2 Definitions

**Draft** — A draft status on a document indicates that the content is still under internal review and subject to formal approval, which may result in modifications or additions. NXP Semiconductors does not give any representations or warranties as to the accuracy or completeness of information included in a draft version of a document and shall have no liability for the consequences of use of such information.

**Short data sheet** — A short data sheet is an extract from a full data sheet with the same product type number(s) and title. A short data sheet is intended for quick reference only and should not be relied upon to contain detailed and full information. For detailed and full information see the relevant full data sheet, which is available on request via the local NXP Semiconductors sales office. In case of any inconsistency or conflict with the short data sheet, the full data sheet shall prevail.

**Product specification** — The information and data provided in a Product data sheet shall define the specification of the product as agreed between NXP Semiconductors and its customer, unless NXP Semiconductors and customer have explicitly agreed otherwise in writing. In no event however, shall an agreement be valid in which the NXP Semiconductors product is deemed to offer functions and qualities beyond those described in the Product data sheet.

### 20.3 Disclaimers

**Limited warranty and liability** — Information in this document is believed to be accurate and reliable. However, NXP Semiconductors does not give any representations or warranties, expressed or implied, as to the accuracy or completeness of such information and shall have no liability for the consequences of use of such information. NXP Semiconductors takes no responsibility for the content in this document if provided by an information source outside of NXP Semiconductors. In no event shall NXP Semiconductors be liable for any indirect, incidental, punitive, special or consequential damages (including - without limitation - lost profits, lost savings, business interruption, costs related to the removal or replacement of any products or rework charges) whether or not such damages are based on tort (including negligence), warranty, breach of contract or any other legal theory. Notwithstanding any damages that customer might incur for any reason whatsoever, NXP Semiconductors' aggregate and cumulative liability towards customer for the products described herein shall be limited in accordance with the Terms and conditions of commercial sale of NXP Semiconductors.

**Right to make changes** — NXP Semiconductors reserves the right to make changes to information published in this document, including without limitation specifications and product descriptions, at any time and without

notice. This document supersedes and replaces all information supplied prior to the publication hereof.

**Applications** — Applications that are described herein for any of these products are for illustrative purposes only. NXP Semiconductors makes no representation or warranty that such applications will be suitable for the specified use without further testing or modification. Customers are responsible for the design and operation of their applications and products using NXP Semiconductors products, and NXP Semiconductors accepts no liability for any assistance with applications or customer product design. It is customer's sole responsibility to determine whether the NXP Semiconductors product is suitable and fit for the customer's applications and products planned, as well as for the planned application and use of customer's third party customer(s). Customers should provide appropriate design and operating safeguards to minimize the risks associated with their applications and products. NXP Semiconductors does not accept any liability related to any default, damage, costs or problem which is based on any weakness or default in the customer's applications or products, or the application or use by customer's third party customer(s). Customer is responsible for doing all necessary testing for the customer's applications and products using NXP Semiconductors products in order to avoid a default of the applications and the products or of the application or use by customer's third party customer(s). NXP does not accept any liability in this respect.

**Limiting values** — Stress above one or more limiting values (as defined in the Absolute Maximum Ratings System of IEC 60134) will cause permanent damage to the device. Limiting values are stress ratings only and (proper) operation of the device at these or any other conditions above those given in the Recommended operating conditions section (if present) or the Characteristics sections of this document is not warranted. Constant or repeated exposure to limiting values will permanently and irreversibly affect the quality and reliability of the device.

**Terms and conditions of commercial sale** — NXP Semiconductors products are sold subject to the general terms and conditions of commercial sale, as published at <http://www.nxp.com/profile/terms>, unless otherwise agreed in a valid written individual agreement. In case an individual agreement is concluded only the terms and conditions of the respective agreement shall apply. NXP Semiconductors hereby expressly objects to applying the customer's general terms and conditions with regard to the purchase of NXP Semiconductors products by customer.

**No offer to sell or license** — Nothing in this document may be interpreted or construed as an offer to sell products that is open for acceptance or the grant, conveyance or implication of any license under any copyrights, patents or other industrial or intellectual property rights.

**Suitability for use in automotive applications** — This NXP Semiconductors product has been qualified for use in automotive applications. Unless otherwise agreed in writing, the product is not designed, authorized or warranted to be suitable for use in life support, life-critical or safety-critical systems or equipment, nor in applications where failure or malfunction of an NXP Semiconductors product can reasonably be expected

to result in personal injury, death or severe property or environmental damage. NXP Semiconductors and its suppliers accept no liability for inclusion and/or use of NXP Semiconductors products in such equipment or applications and therefore such inclusion and/or use is at the customer's own risk.

**Export control** — This document as well as the item(s) described herein may be subject to export control regulations. Export might require a prior authorization from competent authorities.

**Translations** — A non-English (translated) version of a document is for reference only. The English version shall prevail in case of any discrepancy between the translated and English versions.

**Security** — Customer understands that all NXP products may be subject to unidentified or documented vulnerabilities. Customer is responsible for the design and operation of its applications and products throughout their lifecycles to reduce the effect of these vulnerabilities on customer's applications and products. Customer's responsibility also extends to other open and/or proprietary technologies supported by NXP products for use in customer's applications. NXP accepts no liability for any vulnerability. Customer should regularly check security updates from NXP and follow up appropriately. Customer shall select products with security features that best meet rules, regulations, and standards of the intended application and make the ultimate design decisions regarding its products and is solely responsible for compliance with all legal, regulatory, and security related requirements concerning its products, regardless of any information or support that may be provided by NXP. NXP has a Product Security Incident Response Team

(PSIRT) (reachable at PSIRT@nxp.com) that manages the investigation, reporting, and solution release to security vulnerabilities of NXP products.

**Suitability for use in automotive applications** — This NXP product has been qualified for use in automotive applications. It has been developed in accordance with ISO 26262, and has been ASIL-classified accordingly. If this product is used by customer in the development of, or for incorporation into, products or services (a) used in safety critical applications or (b) in which failure could lead to death, personal injury, or severe physical or environmental damage (such products and services hereinafter referred to as "Critical Applications"), then customer makes the ultimate design decisions regarding its products and is solely responsible for compliance with all legal, regulatory, safety, and security related requirements concerning its products, regardless of any information or support that may be provided by NXP. As such, customer assumes all risk related to use of any products in Critical Applications and NXP and its suppliers shall not be liable for any such use by customer. Accordingly, customer will indemnify and hold NXP harmless from any claims, liabilities, damages and associated costs and expenses (including attorneys' fees) that NXP may incur related to customer's incorporation of any product in a Critical Application.

## 20.4 Trademarks

Notice: All referenced brands, product names, service names and trademarks are the property of their respective owners.

**NXP** — wordmark and logo are trademarks of NXP B.V.

**Tables**

Tab. 1.	Ordering information .....	2	Tab. 38.	Dynamic electrical characteristics - signal chain, low-pass filter .....	32
Tab. 2.	Ordering options .....	2	Tab. 39.	Dynamic electrical characteristics - signal chain .....	34
Tab. 3.	DSI3 discovery mode external component recommendations .....	4	Tab. 40.	Dynamic electrical characteristics - analog self-test response time .....	35
Tab. 4.	PSI5 parallel or universal mode external component recommendations .....	5	Tab. 41.	Dynamic electrical characteristics - digital self-test response time .....	36
Tab. 5.	PSI5 daisy chain mode external component recommendations .....	6	Tab. 42.	Dynamic electrical characteristics - transducer .....	37
Tab. 6.	SPI external component recommendations .....	8	Tab. 43.	Dynamic electrical characteristics - supply and support circuitry .....	37
Tab. 7.	I2C external component recommendations .....	8	Tab. 44.	User accessible data - general device information .....	38
Tab. 8.	Dual axis device orientation .....	10	Tab. 45.	User accessible data - communication information .....	39
Tab. 9.	Device pinout: SPI or I2C mode .....	11	Tab. 46.	User accessible data - sensor specific information .....	40
Tab. 10.	Device pinout: DSI3 or PSI5 mode pinout .....	12	Tab. 47.	User accessible data - sensor specific information .....	41
Tab. 11.	Test notes legend .....	13	Tab. 48.	User accessible data - traceability information .....	42
Tab. 12.	Maximum ratings .....	14	Tab. 49.	Rolling counter register (COUNT) .....	43
Tab. 13.	Operating range - DSI / PSI5 .....	14	Tab. 50.	Device status registers (DEVSTATx) .....	44
Tab. 14.	Operating range - SPI / I2C .....	15	Tab. 51.	Supply error flag (SUPPLY_ERR) .....	45
Tab. 15.	Electrical characteristics - supply and I/O .....	15	Tab. 52.	Test mode (TESTMODE) .....	45
Tab. 16.	Electrical characteristics - temperature sensor signal chain .....	16	Tab. 53.	Device reset (DEVRES) .....	45
Tab. 17.	Electrical characteristics - inertial sensor signal chain: High g .....	17	Tab. 54.	Device initialization (DEVINIT) .....	46
Tab. 18.	High g adjusted offset specification limits .....	18	Tab. 55.	VBUF under-voltage error (VBUFUV_ERR) .....	46
Tab. 19.	PSI5, High g offset cancellation limits .....	19	Tab. 56.	BUS IN under-voltage error (BUSINUV_ERR) .....	46
Tab. 20.	Lateral, High g, SPI/DSI3 12-bit noise specification .....	19	Tab. 57.	VBUF over-voltage error (VBUFOV_ERR) .....	46
Tab. 21.	Z-Axis, High g, SPI/DSI3 12-bit noise specification .....	20	Tab. 58.	Internal analog regulator voltage out of range error (INTREGA_ERR) .....	47
Tab. 22.	Lateral, High g, PSI5 10-bit noise specification .....	20	Tab. 59.	Internal digital regulator voltage out of range error (INTREG_ERR) .....	47
Tab. 23.	Z-Axis, High g, PSI5 10-bit noise specification .....	20	Tab. 60.	Internal OTP regulator voltage out of range error (INTREGF_ERR) .....	47
Tab. 24.	Electrical characteristics - inertial sensor signal chain: Medium g .....	21	Tab. 61.	Continuity monitor error (CONT_ERR) .....	47
Tab. 25.	Medium g, SPI/DSI3 12-bit offset specification .....	22	Tab. 62.	NXP OTP array error (F_OTP_ERR) .....	48
Tab. 26.	Medium g, PSI5 10-bit offset specification .....	23	Tab. 63.	User OTP array error (U_OTP_ERR) .....	48
Tab. 27.	Lateral, Medium g, SPI/DSI3 12-bit noise specification .....	23	Tab. 64.	User read/write array error (U_RW_ERR) .....	48
Tab. 28.	Z-axis, Medium g, SPI/DSI3 12-bit noise specification .....	24	Tab. 65.	User OTP write in process status bit (U_W_ACTIVE) .....	48
Tab. 29.	Lateral, Medium g, PSI5 10-bit noise specifications .....	24	Tab. 66.	Channel 1 temperature sensor error (TEMP1_ERR) .....	49
Tab. 30.	Z-axis, Medium g, PSI5 10-bit noise specification .....	24	Tab. 67.	Channel 0 temperature sensor error (TEMP0_ERR) .....	49
Tab. 31.	Electrical characteristics - inertial sensor self-test .....	24	Tab. 68.	SPI MISO data mismatch error flag (MISO_ERROR) .....	49
Tab. 32.	Electrical characteristics - lateral inertial sensor overload .....	26	Tab. 69.	Oscillator training error (OSCTRAIN_ERR) .....	49
Tab. 33.	Electrical characteristics - Z-axis inertial sensor overload .....	26	Tab. 70.	Communication protocol revision register (COMMREV) .....	50
Tab. 34.	Dynamic electrical characteristics - DSI3 .....	27	Tab. 71.	Margin read status register (MREAD_STAT) .....	50
Tab. 35.	Dynamic electrical characteristics - PSI5 .....	28			
Tab. 36.	Dynamic electrical characteristics - SPI .....	30			
Tab. 37.	Dynamic electrical characteristics - I2C .....	31			

Tab. 72.	Margin read active status (MARGIN_RD_ACT) .....	50	Tab. 112.	Background diagnostic mode enable (BDM_EN) .....	70
Tab. 73.	Margin read error status (MARGIN_RD_ERR) .....	50	Tab. 113.	PSI5 configuration register (PSI5_CFG) .....	70
Tab. 74.	Temperature register (TEMPERATURE) .....	51	Tab. 114.	Sync pulse pull-down enable bit (SYNC_PD) .....	70
Tab. 75.	Device lock register (DEVLOCK_WR) .....	51	Tab. 115.	PSI5 daisy chain selection bit (DAISY_CHAIN) .....	71
Tab. 76.	Reset control bits (RESET[1:0]) .....	52	Tab. 116.	PSI5 low response current selection bit (PSI5_ILOW) .....	71
Tab. 77.	Write OTP enable register .....	52	Tab. 117.	Dual transmission mode (DUALTRANS) .....	71
Tab. 78.	Write OTP enable and programming bits .....	54	Tab. 118.	Error message information extension bit (MSG_EXT) .....	72
Tab. 79.	Bus switch control register (BUSSW_CTRL) .....	55	Tab. 119.	PSI5 response message error detection selection bit (P_CRC) .....	72
Tab. 80.	BUSSW_L pin state .....	55	Tab. 120.	Initialization phase 2 data extension bit (INIT2_EXT) .....	72
Tab. 81.	PSI5 test register (PSI5_TEST) .....	56	Tab. 121.	DSI3 and PSI5 start time registers (PDCM_RSPSTx_x) .....	73
Tab. 82.	UF region selection registers (UF_REGION_x) .....	57	Tab. 122.	Periodic data collection mode response start time (PDCM_RSPSTx[12:0]) .....	74
Tab. 83.	Region load bits .....	57	Tab. 123.	Synchronous mode: Source ID response start time .....	74
Tab. 84.	Region active bits .....	58	Tab. 124.	Asynchronous mode: Source ID response start time .....	74
Tab. 85.	Communication type register (COMMTYPE) .....	59	Tab. 125.	Broadcast read command type selection bits (BRC_RSP[1:0]) .....	75
Tab. 86.	Communication type (COMMTYPE[2:0]) .....	59	Tab. 126.	DSI3 and PSI5 command blocking time registers (PDCM_CMD_B_x) .....	76
Tab. 87.	COMMTYPEs and effect on device .....	59	Tab. 127.	DSI3 mode: Command blocking time bits .....	76
Tab. 88.	Physical address register (PHYSADDR) .....	60	Tab. 128.	PSI5 mode: Command blocking time bits .....	76
Tab. 89.	Source identification registers (SOURCEID_x) .....	60	Tab. 129.	SPI configuration control register .....	77
Tab. 90.	PDCM format control bits (PDCMFORMAT[2:0]) .....	61	Tab. 130.	SPI status reporting selection bit (SPI_STATUS) .....	77
Tab. 91.	PDCM format control bits .....	61	Tab. 131.	SPI data field size bit (DATASIZE) .....	77
Tab. 92.	SPI source identification (SOURCEID_x) .....	62	Tab. 132.	SPI CRC length and seed bits (SPI_CRC_LEN[1:0], SPICRCSEED[3:0]) .....	78
Tab. 93.	DSI3 source identification (SOURCEID_x) .....	62	Tab. 133.	Who Am I register .....	78
Tab. 94.	PSI5 source identification (SOURCEID_x) .....	63	Tab. 134.	WHO_AM_I bits .....	79
Tab. 95.	Communication timing register (TIMING_CFG) .....	63	Tab. 135.	I2C slave address register .....	79
Tab. 96.	Periodic data collection mode period (PDCM_PER[3:0]) .....	63	Tab. 136.	I2C_ADDRESS bits .....	79
Tab. 97.	Oscillator training protocol selection bit (OSCTRAIN_SEL) .....	64	Tab. 137.	Channel 0 and Channel 1 user configuration #1 registers (CH0_CFG_U1, CH1_CFG_U1) .....	80
Tab. 98.	Command and response mode period (CRM_PER[1:0]) .....	65	Tab. 138.	Low-pass filter and sample rate selection bits (LPF[3:0], SAMPLERATE[1:0]) .....	80
Tab. 99.	Clock calibration enable (CK_CAL_EN) .....	65	Tab. 139.	Channel 0 and Channel 1 user configuration #2 registers (CH0_CFG_U2, CH1_CFG_U2) .....	81
Tab. 100.	Chip time and bit time register (CHIPTIME) .....	65	Tab. 140.	Sensitivity shift factors .....	81
Tab. 101.	PSI5 self-test repetition bits (ST_RPT[1:0]) .....	66	Tab. 141.	Example user shift and multiplier configuration for typical scale range .....	82
Tab. 102.	PSI5 error latching enable bit (PSI5_ERRLATCH) .....	66	Tab. 142.	Example user shift and multiplier configuration for typical psi5 scale range .....	83
Tab. 103.	DSI3 simultaneous sampling enable (SS_EN) .....	66	Tab. 143.	Channel 0 and Channel 1 user configuration #3 registers (CH0_CFG_U3, CH1_CFG_U3) .....	83
Tab. 104.	PSI5 simultaneous sampling enable (SS_EN) .....	67	Tab. 144.	Unsigned data select bit (UNSIGNEDDATA) .....	83
Tab. 105.	SPI simultaneous sampling enable (SS_EN) .....	67			
Tab. 106.	Chip time (CHIPTIME) .....	67			
Tab. 107.	Timing configuration #2 register (TIMING_CFG2) .....	68			
Tab. 108.	PSI5 initialization phase 2 D19 and D20 change bit (PSI5_INIT2_D19) .....	68			
Tab. 109.	Oscillator training error counter (OSCTRAIN_ERRCNT[2:0]) .....	68			
Tab. 110.	Capacitor test disable bit (CAPTEST_OFF) .....	69			
Tab. 111.	Background diagnostic mode fragment size (BDM_FRAGSIZE) .....	69			

Tab. 145. Channel data type 0 selection bits (CHxDATATYPE0) .....	84	Tab. 175. Channel-specific factory configuration register (CHx_CFG_F) .....	96
Tab. 146. Channel data type 1 selection bits (CHxDATATYPE1) .....	84	Tab. 176. Range indication bits (RANGE[3:0]) .....	96
Tab. 147. Signal chain moving average selection bits (MOVEAVG[1:0]) .....	85	Tab. 177. Axis indication bits (AXIS[1:0]) .....	97
Tab. 148. Channel 0 and Channel 1 user configuration #4 registers (CH0_CFG_U4, CH1_CFG_U4) .....	85	Tab. 178. Self-test deflection storage registers .....	97
Tab. 149. Signal inversion bit (INVERT) .....	86	Tab. 179. IC type register .....	98
Tab. 150. Offset cancellation filter selection bits (OC_FILT[1:0]) .....	86	Tab. 180. IC revision register .....	98
Tab. 151. Arming pin configuration bits (ARM_CFG[2:0]) and PCM range selection bit (PCM) .....	86	Tab. 181. IC manufacturer identification register .....	99
Tab. 152. Channel 0 and Channel 1 user configuration #5 register (CH0_CFG_U5, CH1_CFG_U5) .....	87	Tab. 182. Part number register .....	99
Tab. 153. Self-test control bits (ST_CTRL[3:0]) .....	88	Tab. 183. Part number: Protocol type .....	99
Tab. 154. Offset cancellation test limit bits (OC_LIMIT[2:0]) .....	89	Tab. 184. Part number: Axis .....	100
Tab. 155. DSP disable bit (DSP_DIS) .....	89	Tab. 185. Part number: Channel 0 range .....	100
Tab. 156. Channel 0 and Channel 1 arming configuration registers (CH0_ARM_CFG, CH1_ARM_CFG) .....	89	Tab. 186. Part number: Channel 1 range .....	100
Tab. 157. Arming function down sampling selection bits (ARM_DS[1:0]) .....	90	Tab. 187. Device serial number registers .....	101
Tab. 158. Arming pulse stretch (ARM_PS[1:0]) .....	90	Tab. 188. Example serial number decoding .....	101
Tab. 159. Positive arming window size definitions (moving average mode) .....	90	Tab. 189. ASIC wafer ID registers .....	101
Tab. 160. Negative arming window size definitions (moving average mode) .....	90	Tab. 190. Transducer wafer ID registers .....	102
Tab. 161. Arming count limit definitions (count mode) .....	91	Tab. 191. User data registers (USERDATA_0 - USERDATA_E) .....	102
Tab. 162. Arming threshold registers (CHx_ARM_T_P, CHx_ARM_T_N) .....	91	Tab. 192. PS15 initialization phase 2 data transmissions of user data .....	102
Tab. 163. Example threshold register values and corresponding threshold .....	91	Tab. 193. User data registers (USERDATA_10 - USERDATA_1E) .....	103
Tab. 164. Offset cancellation user configuration register (OC_PHASE_CFG) .....	92	Tab. 194. Lock and CRC registers .....	104
Tab. 165. Channel 0 offset cancellation final phase control bit (CH0_OCFINAL, CH1_OCFINAL) .....	92	Tab. 195. Lock bit, block identifier, and CRC states .....	104
Tab. 166. Channel 1 offset cancellation final phase control bit (CH0_OCFINAL, CH1_OCFINAL) .....	92	Tab. 196. Memory type code: NXP OTP register .....	105
Tab. 167. User offset calibration registers (Chx_U_OFFSET_L, Chx_U_OFFSET_H) .....	93	Tab. 197. Memory type code: User OTP register .....	105
Tab. 168. Channel-specific status register (CH0_STAT, CH1_STAT) .....	93	Tab. 198. Memory type code: CRC verified OTP registers .....	105
Tab. 169. Offset cancellation phase status (OCPHASE[2:0]) .....	93	Tab. 199. Memory type code: ENDINIT CRC verified OTP registers .....	105
Tab. 170. Self-test incomplete (ST_INCMPLT) .....	94	Tab. 200. Signal chain diagram legend .....	117
Tab. 171. Offset error flag (OFFSET_ERR) .....	94	Tab. 201. Signal trim and compensation variable descriptions .....	119
Tab. 172. Device status copy register (DEVSTAT_COPY) .....	95	Tab. 202. LPF #0 and LPF #2 .....	120
Tab. 173. Sensor data #0 registers (CHx_SNSDATA0_L, CHx_SNSDATA0_H) .....	95	Tab. 203. LPF #1 and LPF #3 .....	120
Tab. 174. Sensor data #1 registers (CHx_SNSDATA1_L, CHx_SNSDATA1_H) .....	96	Tab. 204. LPF #4 .....	120
		Tab. 205. LPF #5 .....	120
		Tab. 206. LPF #6 .....	121
		Tab. 207. LPF #7 .....	121
		Tab. 208. LPF #8 .....	121
		Tab. 209. LPF #9 .....	122
		Tab. 210. LPF #A .....	122
		Tab. 211. LPF #B .....	122
		Tab. 212. LPF #C .....	123
		Tab. 213. LPF #D .....	123
		Tab. 214. LPF #E .....	123
		Tab. 215. LPF #F .....	124
		Tab. 216. Offset cancellation phases and times: DS13, SPI, and I2C modes .....	138
		Tab. 217. Offset cancellation phases and times: PS15 modes .....	139
		Tab. 218. Output scaling .....	141
		Tab. 219. Sensor data variables .....	142
		Tab. 220. Temperature sensor output scaling equation variables .....	143
		Tab. 221. Command and response mode example command descriptions .....	153

Tab. 222. Command and response mode - command format .....	153	Tab. 257. Exception conditions and response .....	170
Tab. 223. Command and response mode - field definitions .....	153	Tab. 258. DSI3 error handling - discovery mode and daisy chain mode .....	172
Tab. 224. Command and response mode command CRC .....	154	Tab. 259. PS15-x10P transmission mode .....	176
Tab. 225. Command and response mode - CRC calculation examples .....	154	Tab. 260. PS15-x10C transmission mode .....	176
Tab. 226. Command and response mode response example .....	154	Tab. 261. PS15-x16P transmission mode .....	176
Tab. 227. Symbol mapping .....	155	Tab. 262. PS15-x16C transmission mode .....	176
Tab. 228. Command and response mode - response format .....	156	Tab. 263. PS15 3-bit CRC calculation examples .....	177
Tab. 229. Command and response mode - field definitions .....	156	Tab. 264. PS15 data values .....	177
Tab. 230. Command and response mode response CRC .....	157	Tab. 265. PS15 initialization phase 2 data transmission order .....	182
Tab. 231. DSI3 command and response mode command summary .....	157	Tab. 266. Initialization phase 2 time .....	182
Tab. 232. Register read command format .....	158	Tab. 267. Channel 0 PS15 initialization phase 2 data ....	182
Tab. 233. Register read command format description ...	158	Tab. 268. Channel 1 PS15 Initialization Phase 2 Data ...	183
Tab. 234. Register read command: response format ....	158	Tab. 269. Default PS15-P16C transmission mode .....	187
Tab. 235. Register read command: response format description .....	158	Tab. 270. Default PS15-P16C transmission mode timing parameters .....	187
Tab. 236. Register write command format .....	159	Tab. 271. Default PS15-P16C transmission mode, High g sensor data configuration .....	187
Tab. 237. Register write command format description ..	159	Tab. 272. Default PS15-P16C transmission mode, Medium g sensor data configuration .....	188
Tab. 238. Register write command: response format ...	159	Tab. 273. Dual transmission mode 10-bit transmission data with parity .....	188
Tab. 239. Register write command: response format description .....	159	Tab. 274. Dual transmission mode 10-bit transmission data with CRC .....	188
Tab. 240. Global register write command format .....	160	Tab. 275. Dual transmission mode 16-bit transmission data with parity .....	188
Tab. 241. Global register write command format description .....	160	Tab. 276. Dual transmission mode 16-bit transmission data with CRC .....	189
Tab. 242. Global register write command: response format .....	160	Tab. 277. Daisy chain: Run mode configuration .....	190
Tab. 243. Global register write command: response format description .....	160	Tab. 278. Daisy chain programming commands and responses .....	190
Tab. 244. PDCM enable command and BDM_EN bit status .....	161	Tab. 279. Daisy chain programming response code definitions .....	190
Tab. 245. Enter periodic data collection mode command format .....	161	Tab. 280. Valid daisy chain addresses .....	191
Tab. 246. Enter periodic data collection mode command format description .....	161	Tab. 281. Daisy chain error handling .....	191
Tab. 247. Enter periodic data collection mode command: response format .....	161	Tab. 282. Initialization phase 2 error handling .....	192
Tab. 248. Enter periodic data collection mode command: response format description .....	161	Tab. 283. Initialization phase 3 error handling .....	192
Tab. 249. Reserved commands .....	161	Tab. 284. Standard error reporting .....	193
Tab. 250. Reserved commands description .....	162	Tab. 285. PS15 error extension option .....	193
Tab. 251. Reserved command response format .....	162	Tab. 286. Standard error reporting .....	193
Tab. 252. Reserved command response format description .....	162	Tab. 287. PS15 error extension option .....	194
Tab. 253. Periodic data collection mode response format .....	164	Tab. 288. Programming mode via PS15 command data format .....	195
Tab. 254. Periodic data collection mode status field definition .....	164	Tab. 289. Programming mode via PS15 command data format - response .....	195
Tab. 255. Periodic data collection mode response CRC .....	165	Tab. 290. Programming mode via PS15 XLONG command data format with sync bits .....	196
Tab. 256. Periodic data collection mode - CRC calculation examples .....	165	Tab. 291. Programming mode via PS15 XLONG command data format with sync bits - response .....	196
		Tab. 292. Programming mode via PS15 response message settings .....	196
		Tab. 293. Programming mode via PS15 short command .....	196
		Tab. 294. Response format .....	196
		Tab. 295. Programming mode via PS15 long command .....	197
		Tab. 296. Response format .....	197

Tab. 297. Programming mode via PSI5 long command .....	197	Tab. 317. Reserved command response message format .....	205
Tab. 298. Response format .....	197	Tab. 318. Reserved command response message format description .....	205
Tab. 299. Programming mode via PSI5 commands and responses .....	198	Tab. 319. SPI command message CRC .....	206
Tab. 300. Programming mode via PSI5 response code definitions .....	198	Tab. 320. SPI CRC polynomial and seed .....	206
Tab. 301. Error response summary .....	198	Tab. 321. SPI 8-bit CRC calculation examples .....	206
Tab. 302. SPI command format .....	200	Tab. 322. SPI command format with 4-bit CRC .....	207
Tab. 303. SPI response format .....	200	Tab. 323. SPI response format with 4-bit CRC .....	207
Tab. 304. Command summary .....	201	Tab. 324. SPI command message CRC, 4 bit .....	208
Tab. 305. Register read command message format .....	202	Tab. 325. SPI response message CRC, 4-bit .....	208
Tab. 306. Register read command message format description .....	202	Tab. 326. SPI 4-bit CRC calculation examples .....	209
Tab. 307. Register read response message format .....	202	Tab. 327. SPI command format with 3-bit CRC .....	209
Tab. 308. Register read response message format description .....	202	Tab. 328. SPI response format with 3-bit CRC .....	209
Tab. 309. Register write command message format .....	203	Tab. 329. SPI command message CRC, 3 bit .....	210
Tab. 310. Register write command message format description .....	203	Tab. 330. SPI response message CRC, 3-bit .....	211
Tab. 311. Register write response message format .....	203	Tab. 331. SPI 3-bit CRC calculation examples .....	211
Tab. 312. Register write response message format description .....	203	Tab. 332. Basic status field for responses to register commands .....	211
Tab. 313. Sensor data request command message format .....	204	Tab. 333. Basic status field for responses to sensor data request commands .....	212
Tab. 314. Sensor data request command message format description .....	204	Tab. 334. Alternative basic status reporting field .....	212
Tab. 315. Sensor data request response message format .....	204	Tab. 335. SPI error response status field definition .....	213
Tab. 316. Sensor data request response message format description .....	204	Tab. 336. Alternate SPI error response status field definition .....	214
		Tab. 337. Error responses .....	215
		Tab. 338. Error response description .....	215
		Tab. 339. Dual channel register read wrap around .....	221
		Tab. 340. Revision history .....	240

**Figures**

Fig. 1. Part marking .....	3	Fig. 20. PSI5 self-test procedure .....	116
Fig. 2. DSI3 discovery mode application diagram .....	4	Fig. 21. $\Sigma\Delta$ converter block diagram .....	117
Fig. 3. PSI5 parallel or universal mode application diagram .....	5	Fig. 22. Signal chain diagram .....	117
Fig. 4. PSI5 daisy chain mode application diagram .....	6	Fig. 23. Sinc filter response 3rd order sinc filter magnitude response .....	118
Fig. 5. SPI application diagram .....	8	Fig. 24. 400 Hz, 4-pole low-pass filter response magnitude .....	124
Fig. 6. I2C application diagram .....	8	Fig. 25. 400 Hz, 4-pole low-pass filter response signal delay .....	125
Fig. 7. Dual channel internal block diagram .....	9	Fig. 26. 400 Hz, 3-pole low-pass filter response magnitude .....	125
Fig. 8. Orientation diagram .....	10	Fig. 27. 400 Hz, 3-pole low-pass filter response signal delay .....	126
Fig. 9. Device pinout: SPI or I2C mode .....	10	Fig. 28. 325 Hz, 3-pole low-pass filter response magnitude .....	126
Fig. 10. Device pinout: DSI3 or PSI5 mode pinout .....	12	Fig. 29. 325 Hz, 3-pole low-pass filter response signal delay .....	127
Fig. 11. Voltage regulation and monitoring .....	106	Fig. 30. 370 Hz, 2-pole low-pass filter response magnitude .....	127
Fig. 12. VBUF capacitor monitor timing, DSI3 .....	107	Fig. 31. 370 Hz, 2-pole low-pass filter response signal delay .....	128
Fig. 13. VBUF capacitor monitor timing, PSI5 synchronous mode .....	107	Fig. 32. 180 Hz, 2-pole low-pass filter response magnitude .....	128
Fig. 14. VBUF capacitor monitor timing, psi5 asynchronous mode .....	108		
Fig. 15. BUS_I micro-cut response (DSI3 or PSI5) ....	109		
Fig. 16. Command and response mode oscillator training timing diagram .....	110		
Fig. 17. Periodic data collection mode oscillator training timing diagram .....	111		
Fig. 18. PSI5 oscillator training timing diagram .....	112		
Fig. 19. Self-test interface .....	114		

Fig. 33.	180 Hz, 2-pole low-pass filter response signal delay .....	129	Fig. 65.	DSI3 transmitter block diagram .....	149
Fig. 34.	100 Hz, 2-pole low-pass filter response magnitude .....	129	Fig. 66.	Discovery mode current sense circuit block diagram .....	149
Fig. 35.	100 Hz, 2-pole low-pass filter response signal delay .....	130	Fig. 67.	DSI3 discovery mode sensing timing diagram .....	150
Fig. 36.	1500 Hz, 4-pole low-pass filter response magnitude .....	130	Fig. 68.	DSI3 discovery mode timing diagram .....	152
Fig. 37.	1500 Hz, 4-pole low-pass filter response signal delay .....	131	Fig. 69.	Command and response mode example command .....	152
Fig. 38.	500 Hz, 3-pole low-pass filter response magnitude .....	131	Fig. 70.	Command and response mode command bit encoding .....	153
Fig. 39.	500 Hz, 3-pole low-pass filter response signal delay .....	132	Fig. 71.	Command and response mode response example .....	154
Fig. 40.	800 Hz, 4-pole low-pass filter response magnitude .....	132	Fig. 72.	Response symbol encoding .....	155
Fig. 41.	800 Hz, 4-pole low-pass filter response signal delay .....	133	Fig. 73.	Command and response mode timing diagram .....	157
Fig. 42.	1200 Hz, 4-pole low-pass filter response magnitude .....	133	Fig. 74.	Background diagnostic mode command bit encoding .....	163
Fig. 43.	1200 Hz, 4-pole low-pass filter response signal delay .....	134	Fig. 75.	Periodic data mode response transmission ...	164
Fig. 44.	120 Hz, 3-pole low-pass filter response magnitude .....	134	Fig. 76.	Periodic data collection mode timing diagram .....	166
Fig. 45.	120 Hz, 3-pole low-pass filter response signal delay .....	135	Fig. 77.	Background diagnostic mode timing diagram .....	167
Fig. 46.	120 Hz, 2-pole low-pass filter output magnitude response .....	135	Fig. 78.	Simultaneous sampling mode .....	168
Fig. 47.	120 Hz, 2-pole low-pass filter output magnitude response .....	136	Fig. 79.	Synchronous sampling mode with minimum latency .....	168
Fig. 48.	50 Hz, 4-pole low-pass filter response magnitude .....	136	Fig. 80.	Initialization timing .....	169
Fig. 49.	50 Hz, 4-pole low-pass filter response signal delay .....	137	Fig. 81.	PSI5 satellite interface diagram .....	172
Fig. 50.	Offset cancellation block diagram .....	137	Fig. 82.	Synchronous communication overview .....	173
Fig. 51.	0.04 Hz offset cancellation low-pass filter characteristics .....	139	Fig. 83.	Synchronization pulse detection circuit .....	173
Fig. 52.	0.005 Hz offset cancellation low-pass filter characteristics .....	140	Fig. 84.	Synchronization pulse detection timing .....	174
Fig. 53.	Output interpolation example: Linear interpolation (16 to 1) .....	141	Fig. 85.	Sync pulse characteristics .....	175
Fig. 54.	Temperature sensor signal chain block diagram .....	142	Fig. 86.	Manchester data bit encoding .....	175
Fig. 55.	PCM output function block diagram .....	143	Fig. 87.	Example Manchester encoded data transfer - PSI5-x10x .....	176
Fig. 56.	Arming function block diagram - moving average mode .....	144	Fig. 88.	PSI5 sensor 10-bit initialization .....	180
Fig. 57.	Arming function block diagram - count mode .....	145	Fig. 89.	PSI5 initialization timing, synchronous mode .....	181
Fig. 58.	Arming condition, moving average and count mode .....	145	Fig. 90.	PSI5 initialization timing, asynchronous mode .....	181
Fig. 59.	Arming function block diagram - unfiltered mode .....	146	Fig. 91.	Simultaneous sampling mode .....	186
Fig. 60.	Arming condition, unfiltered mode .....	146	Fig. 92.	Synchronous sampling mode with minimum latency .....	186
Fig. 61.	Arming function - pin output structure .....	147	Fig. 93.	PSI5 default mode transmission .....	187
Fig. 62.	Command receiver physical layer .....	148	Fig. 94.	Standard 32-bit SPI protocol timing diagram .....	200
Fig. 63.	DSI3 command receiver timing diagram: valid command .....	148	Fig. 95.	Internal status mapping and SPI basic status content .....	213
Fig. 64.	DSI3 command receiver timing diagram: micro-cut .....	149	Fig. 96.	SPI data output verification .....	216
			Fig. 97.	SPI timing diagram .....	217
			Fig. 98.	I2C bit transmissions .....	217
			Fig. 99.	I2C start condition .....	218
			Fig. 100.	I2C byte transmissions .....	218
			Fig. 101.	I2C acknowledge and not acknowledge transmission .....	219
			Fig. 102.	I2C stop condition .....	219
			Fig. 103.	I2C timing diagram .....	222
			Fig. 104.	Package outline for LQFN16 (SOT1688-1(SC)) .....	223



Fig. 105. Package outline detail for LQFN16 (SOT1688-1(SC)) .....	224	Fig. 113. Reflow soldering footprint part 4 for HLQFN16 (SOT1688-1(SC)) .....	232
Fig. 106. Package outline notes for LQFN16 (SOT1688-1(SC)) .....	225	Fig. 114. Reflow soldering footprint part 5 for HLQFN16 (SOT1688-1(SC)) .....	233
Fig. 107. Package outline for LQFN16 (SOT1688-1(DD)) .....	226	Fig. 115. Reflow soldering footprint part 1 for HLQFN16 (SOT1688-1(DD)) .....	234
Fig. 108. Package outline detail for LQFN16 (SOT1688-1(DD)) .....	227	Fig. 116. Reflow soldering footprint part 2 for HLQFN16 (SOT1688-1(DD)) .....	235
Fig. 109. Package outline notes for LQFN16 (SOT1688-1(DD)) .....	228	Fig. 117. Reflow soldering footprint part 3 for HLQFN16 (SOT1688-1(DD)) .....	236
Fig. 110. Reflow soldering footprint part 1 for HLQFN16 (SOT1688-1(SC)) .....	229	Fig. 118. Reflow soldering footprint part 4 for HLQFN16 (SOT1688-1(DD)) .....	237
Fig. 111. Reflow soldering footprint part 2 for HLQFN16 (SOT1688-1(SC)) .....	230	Fig. 119. Reflow soldering footprint part 5 for HLQFN16 (SOT1688-1(DD)) .....	238
Fig. 112. Reflow soldering footprint part 3 for HLQFN16 (SOT1688-1(SC)) .....	231		

**Contents**

<b>1</b>	<b>General description</b> .....	<b>1</b>	10.20	Dynamic electrical characteristics - supply and support circuitry .....	37
<b>2</b>	<b>Features</b> .....	<b>1</b>	<b>11</b>	<b>Functional description</b> .....	<b>38</b>
<b>3</b>	<b>Applications</b> .....	<b>2</b>	11.1	User accessible data array .....	38
3.1	Automotive .....	2	11.1.1	User accessible data - general device information .....	38
3.2	Industrial .....	2	11.1.2	User accessible data - communication information .....	39
<b>4</b>	<b>Ordering information</b> .....	<b>2</b>	11.1.3	User accessible data - sensor specific information .....	40
4.1	Ordering options .....	2	11.1.4	User accessible data - sensor specific information .....	41
<b>5</b>	<b>Marking</b> .....	<b>3</b>	11.1.5	User accessible data - traceability information .....	42
<b>6</b>	<b>Application diagrams</b> .....	<b>4</b>	11.2	Register definitions .....	43
6.1	DSI3 application diagrams .....	4	11.2.1	Rolling counter register (COUNT) .....	43
6.1.1	DSI3 discovery mode application diagram .....	4	11.2.2	Device status registers (DEVSTATx) .....	44
6.2	PSI5 application diagrams .....	5	11.2.2.1	Channel 0 error flag (CH0_ERR) .....	44
6.2.1	PSI5 parallel or universal mode application diagram .....	5	11.2.2.2	Channel 1 error flag (CH1_ERR) .....	44
6.2.2	PSI5 daisy chain mode application diagram .....	6	11.2.2.3	Communication error flag (COMM_ERR) .....	44
6.3	SPI application diagram .....	8	11.2.2.4	Memory or temperature error flag (MEMTEMP_ERR) .....	44
6.4	I2C application diagram .....	8	11.2.2.5	Supply error flag (SUPPLY_ERR) .....	44
<b>7</b>	<b>Block diagram</b> .....	<b>9</b>	11.2.2.6	Test mode (TESTMODE) .....	45
<b>8</b>	<b>Device orientation diagrams</b> .....	<b>10</b>	11.2.2.7	Device reset (DEVRES) .....	45
<b>9</b>	<b>Pinning information</b> .....	<b>10</b>	11.2.2.8	Device initialization (DEVINIT) .....	45
9.1	Pinning: SPI or I2C mode .....	10	11.2.2.9	VBUF under-voltage error (VBUFUV_ERR) .....	46
9.2	Pin description: SPI or I2C mode .....	11	11.2.2.10	BUS IN under-voltage error (BUSINUV_ERR) .....	46
9.3	Pinning: DSI3 or PSI5 mode .....	12	11.2.2.11	VBUF over-voltage error (VBUFOV_ERR) .....	46
9.4	Pin description: DSI3 or PSI5 mode .....	12	11.2.2.12	Internal analog regulator voltage out of range error (INTREGA_ERR) .....	46
<b>10</b>	<b>Electrical characteristics</b> .....	<b>13</b>	11.2.2.13	Internal digital regulator voltage out of range error (INTREG_ERR) .....	47
10.1	Maximum ratings .....	14	11.2.2.14	Internal OTP regulator voltage out of range error (INTREGF_ERR) .....	47
10.2	Operating range - DSI / PSI5 .....	14	11.2.2.15	Continuity monitor error (CONT_ERR) .....	47
10.3	Operating range - SPI / I2C .....	15	11.2.2.16	NXP OTP array error (F_OTP_ERR) .....	47
10.4	Electrical characteristics - supply and I/O .....	15	11.2.2.17	User OTP array error (U_OTP_ERR) .....	48
10.5	Electrical characteristics - temperature sensor signal chain .....	16	11.2.2.18	User read/write array error (U_RW_ERR) .....	48
10.6	Electrical characteristics - inertial sensor signal chain: High g .....	17	11.2.2.19	User OTP write in process status bit (U_W_ACTIVE) .....	48
10.7	Electrical characteristics - inertial sensor signal chain: Medium g .....	21	11.2.2.20	Channel 1 temperature sensor error (TEMP1_ERR) .....	48
10.8	Electrical characteristics - inertial sensor self-test .....	24	11.2.2.21	Channel 0 temperature sensor error (TEMP0_ERR) .....	49
10.9	Electrical characteristics - lateral inertial sensor overload .....	26	11.2.2.22	SPI MISO data mismatch error flag (MISO_ERROR) .....	49
10.10	Electrical characteristics - Z-axis inertial sensor overload .....	26	11.2.2.23	Oscillator training error (OSCTRAIN_ERR) .....	49
10.11	Dynamic electrical characteristics - DSI3 .....	27	11.2.3	Communication protocol revision register (COMMREV) .....	49
10.12	Dynamic electrical characteristics - PSI5 .....	28	11.2.4	Margin read status register (MREAD_STAT) ...	50
10.13	Dynamic electrical characteristics - SPI .....	30	11.2.4.1	Margin read active status (MARGIN_RD_ACT) .....	50
10.14	Dynamic electrical characteristics - I2C .....	31	11.2.4.2	Margin read error status (MARGIN_RD_ERR) .....	50
10.15	Dynamic electrical characteristics - signal chain, low-pass filter .....	32			
10.16	Dynamic electrical characteristics - signal chain .....	34			
10.17	Dynamic electrical characteristics - analog self-test response time .....	35			
10.18	Dynamic electrical characteristics - digital self-test response time .....	36			
10.19	Dynamic electrical characteristics - transducer .....	37			

11.2.5	Temperature register (TEMPERATURE) .....	51	11.2.17.3	PSI5 low response current selection bit (PSI5_ILOW) .....	71
11.2.6	Device lock register (DEVLOCK_WR) .....	51	11.2.17.4	Dual transmission mode (DUALTRANS) .....	71
11.2.6.1	End initialization bit (ENDINIT) .....	51	11.2.17.5	Error message information extension bit (EMSG_EXT) .....	72
11.2.6.2	Supply error reporting disable bit (SUP_ ERR_DIS) .....	52	11.2.17.6	PSI5 response message error detection selection bit (P_CRC) .....	72
11.2.6.3	Reset control bits (RESET[1:0]) .....	52	11.2.17.7	Initialization phase 2 data extension bit (INIT2_EXT) .....	72
11.2.7	Write OTP enable register .....	52	11.2.17.8	Asynchronous mode bit (ASYNC) .....	73
11.2.7.1	Margin read enable bit (MARGIN_RD_EN) .....	52	11.2.18	DSI3 and PSI5 start time registers (PDCM_ RSPSTx_x) .....	73
11.2.7.2	Write OTP enable and programming bits .....	54	11.2.18.1	Periodic data collection mode response start time (PDCM_RSPSTx[12:0]) .....	74
11.2.8	Bus switch control register (BUSSW_ CTRL) .....	55	11.2.18.2	Broadcast read command type selection bits (BRC_RSP[1:0]) .....	75
11.2.9	PSI5 test register (PSI5_TEST) .....	56	11.2.19	DSI3 and PSI5 command blocking time registers (PDCM_CMD_B_x) .....	76
11.2.9.1	PSI5 test bit (PSI5_TEST) .....	56	11.2.20	SPI configuration control register .....	77
11.2.10	UF region selection registers (UF_ REGION_x) .....	57	11.2.20.1	SPI status reporting selection bit (SPI_ STATUS) .....	77
11.2.11	Communication type register (COMMTYPE) .....	58	11.2.20.2	SPI data field size bit (DATASIZE) .....	77
11.2.11.1	Communication type (COMMTYPE[2:0]) .....	59	11.2.20.3	SPI CRC length and seed bits (SPI_CRC_ LEN[1:0], SPICRCSEED[3:0]) .....	78
11.2.12	Physical address register (PHYSADDR) .....	60	11.2.21	Who Am I register .....	78
11.2.13	Source identification registers (SOURCEID_x) .....	60	11.2.22	I2C slave address register .....	79
11.2.13.1	Data source enable bits (SIDx_EN) .....	61	11.2.23	Channel 0 and Channel 1 user configuration #1 registers (CH0_CFG_U1, CH1_CFG_U1) .....	79
11.2.13.2	PDCM format control bits (PDCMFORMAT[2:0]) .....	61	11.2.23.1	Low-pass filter and sample rate selection bits (LPF[3:0], SAMPLERATE[1:0]) .....	80
11.2.13.3	Source identification (SOURCEID_x) .....	62	11.2.23.2	User sensitivity shift selection bits (U_SNS_ SHIFT[1:0]) .....	80
11.2.14	Communication timing register (TIMING_ CFG) .....	63	11.2.24	Channel 0 and Channel 1 user configuration #2 registers (CH0_CFG_U2, CH1_CFG_U2) .....	81
11.2.14.1	Periodic data collection mode period (PDCM_PER[3:0]) .....	63	11.2.24.1	User sensitivity multiplier bits (U_SNS_ MULT[7:0]) .....	81
11.2.14.2	Oscillator training protocol selection bit (OSCTRAIN_SEL) .....	64	11.2.25	Channel 0 and Channel 1 user configuration #3 registers (CH0_CFG_U3, CH1_CFG_U3) .....	83
11.2.14.3	Clock calibration value reset (CK_CAL_ RST) .....	64	11.2.25.1	Unsigned data select bit (UNSIGNEDDATA) ...	83
11.2.14.4	Command and response mode period (CRM_PER[1:0]) .....	65	11.2.25.2	Channel data type 0 selection bits (CHxDATATYPE0) .....	84
11.2.14.5	Clock calibration enable (CK_CAL_EN) .....	65	11.2.25.3	Channel data type 1 selection bits (CHxDATATYPE1) .....	84
11.2.15	Chip time and bit time register (CHIPTIME) .....	65	11.2.25.4	Signal chain moving average selection bits (MOVEAVG[1:0]) .....	85
11.2.15.1	PSI5 self-test repetition bits (ST_RPT[1:0]) .....	66	11.2.26	Channel 0 and Channel 1 user configuration #4 registers (CH0_CFG_U4, CH1_CFG_U4) .....	85
11.2.15.2	PSI5 error latching enable bit (PSI5_ ERRLATCH) .....	66	11.2.26.1	Reset offset cancellation startup bit (RESET_OC) .....	85
11.2.15.3	Simultaneous sampling enable (SS_EN) .....	66	11.2.26.2	Signal inversion bit (INVERT) .....	86
11.2.15.4	Chip time (CHIPTIME) .....	67	11.2.26.3	Offset cancellation filter selection bits (OC_ FILT[1:0]) .....	86
11.2.16	Timing configuration #2 register (TIMING_ CFG2) .....	68	11.2.26.4	Arming pin configuration bits (ARM_ CFG[2:0]) and PCM range selection bit (PCM) .....	86
11.2.16.1	PSI5 initialization phase 2 D19 and D20 change bit (PSI5_INIT2_D19) .....	68			
11.2.16.2	Oscillator training error counter (OSCTRAIN_ERRCNT[2:0]) .....	68			
11.2.16.3	Capacitor test disable bit (CAPTEST_OFF) .....	69			
11.2.16.4	Background diagnostic mode fragment size (BDM_FRAGSIZE) .....	69			
11.2.16.5	Background diagnostic mode enable (BDM_EN) .....	70			
11.2.17	PSI5 configuration register (PSI5_CFG) .....	70			
11.2.17.1	Sync pulse pull-down enable bit (SYNC_ PD) .....	70			
11.2.17.2	PSI5 daisy chain selection bit (DAISY_ CHAIN) .....	71			

11.2.27	Channel 0 and Channel 1 configuration #5 register (CH0_CFG_U5, CH1_CFG_U5) .....	87	11.2.49	Invalid register addresses .....	104
11.2.27.1	Self-test control bits (ST_CTRL[3:0]) .....	87	11.3	OTP and read/write register array CRC verification .....	105
11.2.27.2	Offset cancellation test limit bits (OC_LIMIT[2:0]) .....	88	11.3.1	NXP OTP registers .....	105
11.2.27.3	DSP disable bit (DSP_DIS) .....	89	11.3.2	User OTP only registers .....	105
11.2.28	Channel 0 and Channel 1 arming configuration registers (CH0_ARM_CFG, CH1_ARM_CFG) .....	89	11.3.3	OTP modifiable registers .....	105
11.2.28.1	Arming function down sampling selection bits (ARM_DS[1:0]) .....	89	11.4	Voltage regulators .....	106
11.2.28.2	Arming pulse stretch (ARM_PS[1:0]) .....	90	11.4.1	VBUF regulator capacitor and capacitor monitor .....	106
11.2.28.3	Arming window size (ARM_WS_N[1:0], A_WS_P[1:0]) .....	90	11.4.1.1	VBUF capacitance monitor timing, DSI3 .....	107
11.2.29	Arming threshold registers (CHx_ARM_T_P, CHx_ARM_T_N) .....	91	11.4.1.2	VBUF capacitance monitor timing, PSI5 .....	107
11.2.30	Offset cancellation user configuration register (OC_PHASE_CFG) .....	92	11.4.1.3	VBUF capacitance monitor timing, PSI5 asynchronous mode .....	108
11.2.30.1	Channel 0 and Channel 1 offset cancellation final phase control bit (CH0_OCFINAL, CH1_OCFINAL) .....	92	11.4.2	BUS_I, VBUF, VREG, VREGA, undervoltage monitor .....	108
11.2.31	User offset calibration registers (Chx_U_OFFSET_L, Chx_U_OFFSET_H) .....	92	11.5	Internal oscillator .....	109
11.2.32	Channel-specific status register (CH0_STAT, CH1_STAT) .....	93	11.5.1	Oscillator training .....	109
11.2.32.1	Signal clipped status bit (SIGNALCLIP) .....	93	11.5.1.1	DSI3 oscillator training .....	110
11.2.32.2	Offset cancellation phase status (OCPHASE[2:0]) .....	93	11.5.1.2	PSI5 oscillator training .....	111
11.2.32.3	Self-test incomplete (ST_INCMPLT) .....	94	11.5.1.3	SPI oscillator training .....	112
11.2.32.4	Self-test active flag (ST_ACTIVE) .....	94	11.5.1.4	I2C oscillator training .....	112
11.2.32.5	Offset error flag (OFFSET_ERR) .....	94	11.5.2	Oscillator training error handling .....	113
11.2.32.6	Self-test error flag (ST_ERROR) .....	94	11.6	Inertial sensor signal path .....	113
11.2.33	Device status copy register (DEVSTAT_COPY) .....	95	11.6.1	Inertial sensor transducer .....	113
11.2.34	Sensor data #0 registers (CHx_SNSDATA0_L, CHx_SNSDATA0_H) .....	95	11.6.2	Inertial sensor self-test interface .....	114
11.2.35	Sensor data #1 registers (CHx_SNSDATA1_L, CHx_SNSDATA1_H) .....	95	11.6.2.1	Raw self-test deflection verification .....	114
11.2.36	Channel-specific factory configuration register (CHX_CFG_F) .....	96	11.6.2.2	Delta self-test deflection verification .....	114
11.2.36.1	Range indication bits (RANGE[3:0]) .....	96	11.6.2.3	Startup digital self-test .....	115
11.2.36.2	Axis indication bits (AXIS[1:0]) .....	97	11.6.2.4	Fixed pattern self-test .....	115
11.2.37	Self-test deflection storage registers .....	97	11.6.2.5	PSI5 automatic startup self-test procedure .....	115
11.2.38	IC type register .....	98	11.6.3	Inertial sensor $\Sigma\Delta$ converter .....	117
11.2.39	IC revision register .....	98	11.6.4	Inertial sensor digital signal processor .....	117
11.2.40	IC manufacturer identification register .....	99	11.6.4.1	Decimation sinc filter .....	118
11.2.41	Part number register .....	99	11.6.4.2	Signal trim and compensation .....	118
11.2.42	Device serial number registers .....	100	11.6.4.3	Digital clipping .....	119
11.2.43	ASIC wafer ID registers .....	101	11.6.4.4	Low-pass filter .....	119
11.2.44	Transducer wafer ID registers .....	101	11.6.4.5	User sensitivity scaling .....	137
11.2.45	User data registers (USERDATA_0 - USERDATA_E) .....	102	11.6.4.6	Offset cancellation .....	137
11.2.45.1	PSI5 initialization phase 2 data transmissions of user data .....	102	11.6.4.7	Moving average .....	140
11.2.46	User data registers (USERDATA_10 - USERDATA_1E) .....	103	11.6.4.8	Data interpolation .....	140
11.2.47	Lock and CRC registers .....	103	11.6.4.9	Output scaling .....	141
11.2.48	Reserved registers .....	104	11.7	Temperature sensor .....	142
			11.7.1	Temperature sensor signal chain .....	142
			11.7.2	Temperature sensor output scaling equations .....	142
			11.8	PCM output function .....	143
			11.9	Arming function .....	144
			11.9.1	Arming function: moving average mode .....	144
			11.9.2	Arming function: count mode .....	145
			11.9.3	Arming function: unfiltered mode .....	146
			11.9.4	Arming function down sampling .....	146
			11.9.5	Arming pulse stretch function .....	147
			11.9.6	Arming pin output structure .....	147
			<b>12</b>	<b>DSI3 protocol .....</b>	<b>147</b>
			12.1	DSI3 physical layer .....	148
			12.1.1	Command receiver .....	148
			12.1.2	Response transmitter .....	149
			12.1.3	Discovery mode current sense .....	149
			12.2	Address assignment .....	150

12.2.1	Address assignment method for parallel connected slaves .....	150	12.6.3	Resistor connected daisy chain network using discovery mode .....	170
12.2.2	Address assignment method for bus switch connected daisy chain devices .....	150	12.7	DSI3 exception handling .....	170
12.2.3	DSI3 discovery mode: Address assignment method for resistor connected daisy chain devices .....	150	12.7.1	Daisy chain and discovery mode error handling .....	171
12.3	DSI3 command and response mode .....	152	<b>13</b>	<b>PSI5 protocol .....</b>	<b>172</b>
12.3.1	DSI3 command and response mode command reception .....	152	13.1	Communication interface overview .....	172
12.3.1.1	Bit encoding .....	153	13.2	Data transmission physical layer .....	172
12.3.1.2	Command message format .....	153	13.2.1	Synchronization pulse .....	173
12.3.1.3	Error checking .....	153	13.2.1.1	Synchronization pulse detection .....	173
12.3.2	DSI3 command and response mode response transmission .....	154	13.2.1.2	Synchronization pulse pulldown function .....	175
12.3.2.1	Symbol encoding .....	154	13.3	Data transmission data link layer .....	175
12.3.2.2	Response message format .....	156	13.3.1	Bit encoding .....	175
12.3.2.3	Error checking .....	156	13.3.2	PSI5 data transmission .....	175
12.3.3	DSI3 command and response mode timing .....	157	13.3.2.1	PSI5-x10P transmission mode .....	176
12.3.4	DSI3 command and response mode command summary .....	157	13.3.2.2	PSI5-x10C transmission mode .....	176
12.3.4.1	Register read command .....	157	13.3.2.3	PSI5-x16P transmission mode .....	176
12.3.4.2	Register write command .....	158	13.3.2.4	PSI5-x16C transmission mode .....	176
12.3.4.3	Global register write command to the PHYSADDR register .....	159	13.3.3	Error detection .....	177
12.3.4.4	Enter periodic data collection mode command .....	160	13.3.3.1	Parity error detection .....	177
12.3.4.5	Reserved commands .....	161	13.3.3.2	3-bit CRC error detection .....	177
12.4	DSI3 periodic data collection mode and background diagnostic mode .....	162	13.3.4	PSI5 data field and data range values .....	177
12.4.1	DSI3 periodic data collection mode and background diagnostic mode command reception .....	162	13.4	Initialization .....	179
12.4.1.1	Bit encoding .....	163	13.4.1	PSI5 initialization phase 1 .....	181
12.4.1.2	Command message format .....	163	13.4.2	PSI5 initialization phase 2 .....	181
12.4.1.3	Error checking .....	163	13.4.2.1	PSI5 initialization phase 2 data transmissions .....	182
12.4.2	DSI3 periodic data collection mode response transmission .....	163	13.4.3	Internal self-test .....	185
12.4.2.1	Symbol encoding .....	164	13.4.4	Initialization phase 3 .....	185
12.4.2.2	Response message format .....	164	13.5	Normal mode .....	185
12.4.2.3	Error checking .....	165	13.5.1	Asynchronous mode .....	185
12.4.3	DSI3 periodic data collection mode timing .....	166	13.5.2	Simultaneous sampling mode .....	185
12.4.4	Background diagnostic mode response transmission .....	166	13.5.3	Synchronous sampling mode with minimum latency .....	186
12.4.4.1	Symbol encoding .....	166	13.6	PSI5 default mode (un-programmed PSI5 device) .....	186
12.4.4.2	Response message format .....	166	13.7	Dual transmission mode .....	188
12.4.4.3	Error checking .....	167	13.8	Daisy chain mode .....	189
12.4.5	DSI3 background diagnostic mode timing .....	167	13.9	Error handling .....	191
12.4.6	DSI3 periodic data collection mode and background diagnostic mode command summary .....	167	13.9.1	Daisy chain error handling .....	191
12.4.7	DSI3 PDCM data transmission modes .....	168	13.9.2	Initialization phase 2 error handling .....	191
12.4.7.1	Simultaneous sampling mode (SS_EN = 1) .....	168	13.9.3	Initialization phase 3 error handling .....	192
12.4.7.2	Synchronous sampling mode with minimum latency (SS_EN = 0) .....	168	13.9.4	Normal mode error handling with internal error automatic clearing .....	192
12.5	Initialization timing .....	169	13.9.4.1	Standard error reporting .....	192
12.6	Maximum number of devices on a network .....	169	13.9.4.2	PSI5 error extension option .....	193
12.6.1	Pre-configured, parallel connected network .....	169	13.9.5	Normal mode error handling with internal error latching .....	193
12.6.2	Bus switch connected daisy chain network .....	169	13.9.5.1	Standard error reporting .....	193
			13.9.5.2	PSI5 error extension option .....	194
			13.10	PSI5 programming mode .....	194
			13.10.1	PSI5 programming mode entry .....	194
			13.10.2	PSI5 programming mode - data link layer .....	195
			13.10.2.1	PSI5 programming mode - command bit encoding .....	195
			13.10.2.2	PSI5 programming mode - command message format .....	195
			13.10.2.3	Short frame command and response format .....	196
			13.10.2.4	Long frame command and response format .....	197