



Datasheet

Flexible NFC Antenna

Part No:
FXR.06.A.dg

Description:

Square Flexible Near-Field Communications Antenna
with Ferrite Layer for Metal Direct Mount

Features:

- 13.56 MHz Antenna
- Can be placed directly on metal surfaces
- Layered with Ferrite Flux Director
- Low Profile Embedded Antenna
- Dimensions: 47 mm x 47 mm
- Thickness: 0.30 mm
- Peel and stick Nitto UTD-30 adhesive on back
- RoHS & Reach Compliant

1. Introduction	3
2. Specifications	4
3. Antenna Applications	5
4. Mechanical Drawing	9
5. Packaging	10
<hr/>	
Changelog	11

Taoglas makes no warranties based on the accuracy or completeness of the contents of this document and reserves the right to make changes to specifications and product descriptions at any time without notice. Taoglas reserves all rights to this document and the information contained herein. Reproduction, use or disclosure to third parties without express permission is strictly prohibited.



1. Introduction



The FXR.06.A.dg is a rectangular, embedded, NFC (Near Field Communications) antenna for use in IoT devices such as keycards, payment systems, and readers. The design provides a NFC antenna that can be adhered to metallic parts or directly to the battery of the device for ease of installation.

NFC antennas can be applied in areas not traditionally available to other types of antennas. A common example is the ability to apply NFC antennas to batteries or other conductive surfaces. To enable this usage, however, a ferrite flux director layer is required. This ferrite layer acts to steer the magnetic flux away from the metal or other conductor, where it would otherwise result in loss or complete failure to communicate. Taoglas NFC antennas can therefore be customized with flux director layers to enable this flexibility in usage. The coil inductance noted below can help estimate a capacitance value for creating resonance at 13.56MHz.

Typical applications

- Mobile Devices
- Electronic wallets
- Health care ID scanners
- Payment readers
- Office ID
- Access control
- Internet Of Things

Customized antennas for specific applications, shape, and impedance match can also be provided for a NRE and are subject to MOQ. Contact your regional Taoglas customer support team for more information and support on our NFC antenna range.

2. Specifications

Electrical	
Frequency	13.56MHz
Return Loss	>10 dB
Impedance	50 Ω
Self-Resonance Frequency	38.75MHz
Q Factor	293.1
Ls	6.88uH
Rs	2 Ω

* All Testing was done using a Agilent 4285A LCR Meter calibrated at 13.56MHz.

** Testing was completed using series mode, but were was conducted using parallel method as well.

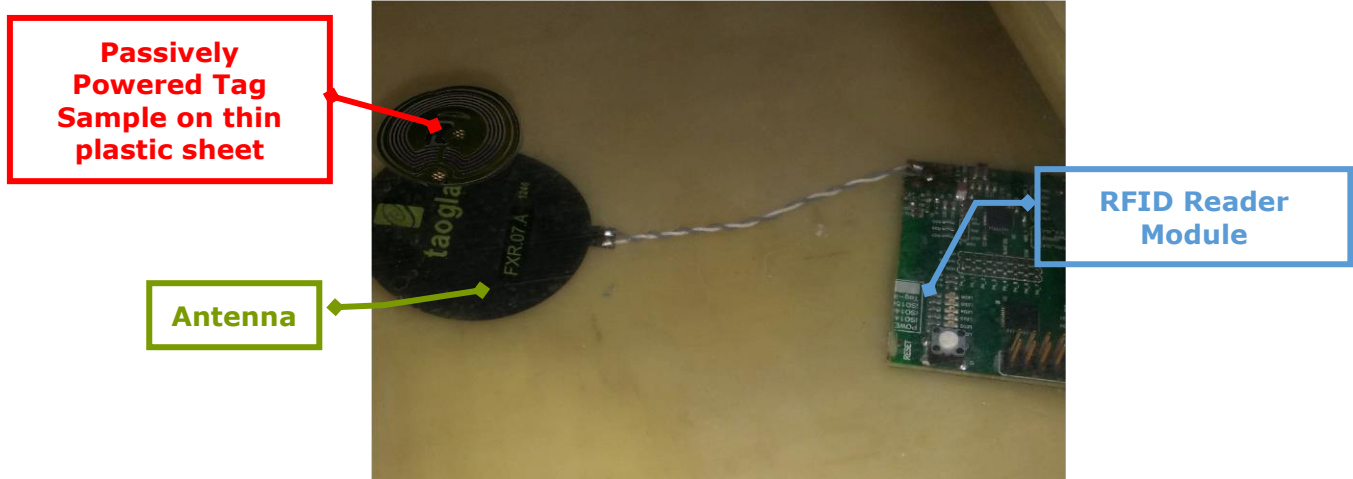
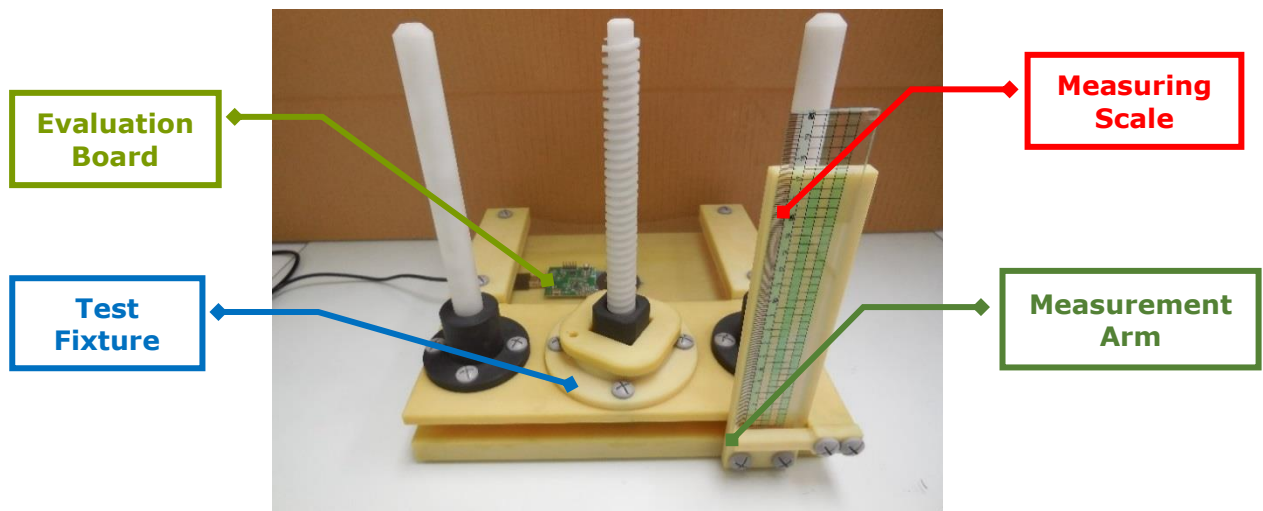
Mechanical	
Antenna Dimensions	47 x 47 x 0.3 mm
Connector	ACH(F)
Standard Cable	75mm Twisted Pair 28AWG Cable
Adhesive	Nitto UTD-30 (W)
RoHS Compliant	Yes
REACH Compliant	Yes
Weight	2g

Environmental	
Temperature Range	-40°C to 85°C

3. Antenna Applications

3.1 Test Set up

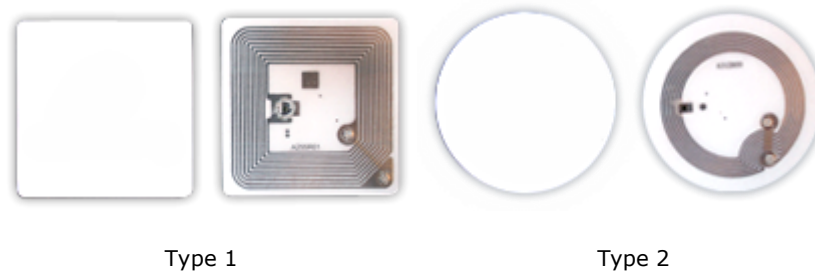
A test fixture is used to measure the maximum interrogation distance. The FXR.07.52.0075.A antenna is connected to a NFC evaluation board and then placed on the fixed part of the fixture.



The test sample is placed on a thin sheet of plastic connected to the movable part of the fixture. Then the distance is carefully adjusted until the reader can no longer read the sample, thus the maximum interrogation distance is displayed in the ruler.

3.2 RFID tags used for test

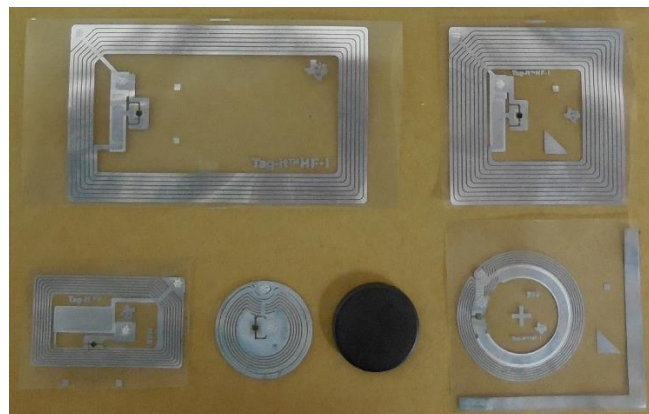
A total of 8 RFID tags were used to measure the interrogation distances. The next picture shows type 1 and type 2 respectively.



Type 1 tag is based on ISO/IEC 14443A standard and has 512 bytes of memory.

Type 2 tag is based on ISO/IEC 14443A standard and has 192 bytes of memory.

The next picture shows the Tag-it HF-I RFID tags from Texas Instruments: RI-102-112, RI-111-112, RI-103-112, RI-116-112, button type, and RI-117-112.



The Tag-it HF-I Plus Transponder Inlay family of Texas Instruments RFID is based on the ISO/IEC 15693 standard for contactless integrated circuit cards (vicinity cards) and ISO/IEC 18000-3 standard for item management.

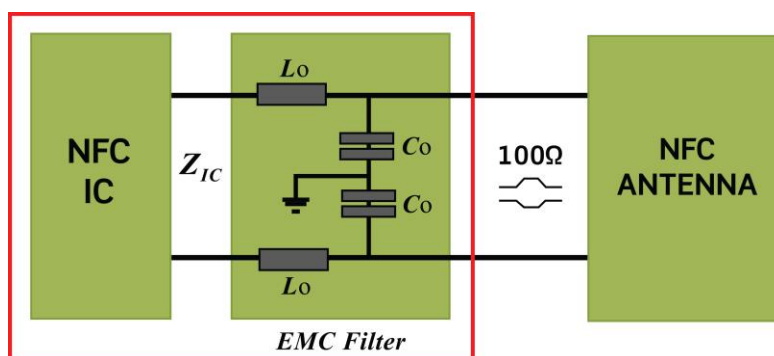
3.3 Matching

The interrogation distances presented here were taken with the antenna connected directly to the evaluation boards with the default matching circuit. This is not necessarily the optimal matching circuit that could be designed for a particular antenna. We kept the default matching of each evaluation board to minimize the number of variables in testing and keep integration as simple as possible.

As with any matching network the exact circuit and values for an optimal network depend on the combination of antenna, NFC circuit, any intervening transmission line and the environment presented to the antenna. These factors are specific to the particular end product.

As a starting point, to achieve the read range results presented here, use the matching network detailed in the schematic of the evaluation board for your particular NFC chip and keep the antenna free of any obstruction. Once you can demonstrate successful reads you can then optimize performance as desired.

If the matching network is required, you should implement the following topology:



The matching circuit should be designed to match the IC impedance Z_{IC} to 100Ω and then connect the antenna through a 100Ω differential pair.

3.4 Test Results

A total of 8 sample devices were used to measure the interrogation distances in two scenarios, over plastic and over metal, using the Texas Instruments TRF7970AEVM evaluation board. The results are:

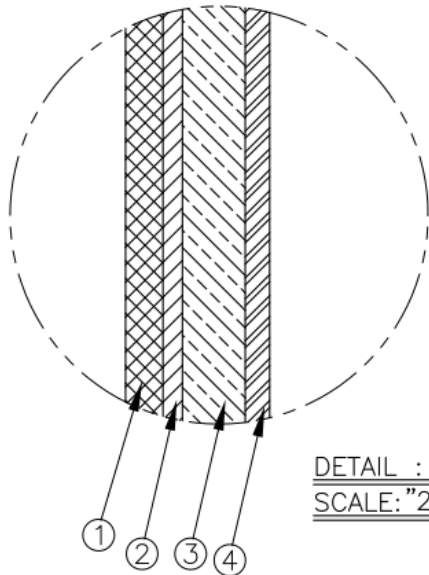
- Over plastic:

RFID Tag	Dimensions (mm)	Interrogation Distance (mm)
Topaz512 (Type 1)	43 x 43	16
NTAG203 (Type 2)	Φ 42	16
Tag-it HFI Plus RI-I11-112	45 x 45	27
Tag-it HFI Plus RI-I02-112	76 x 48	23
Tag-it HFI Plus RI-I03-112	38 x 22.5	10
Tag-it HFI Plus RI-I16-112	Φ 24.2	13
Button type	Φ 22	17
Tag-it HFI Plus RI-I17-112	Φ 32.5	16

- Over Metal:

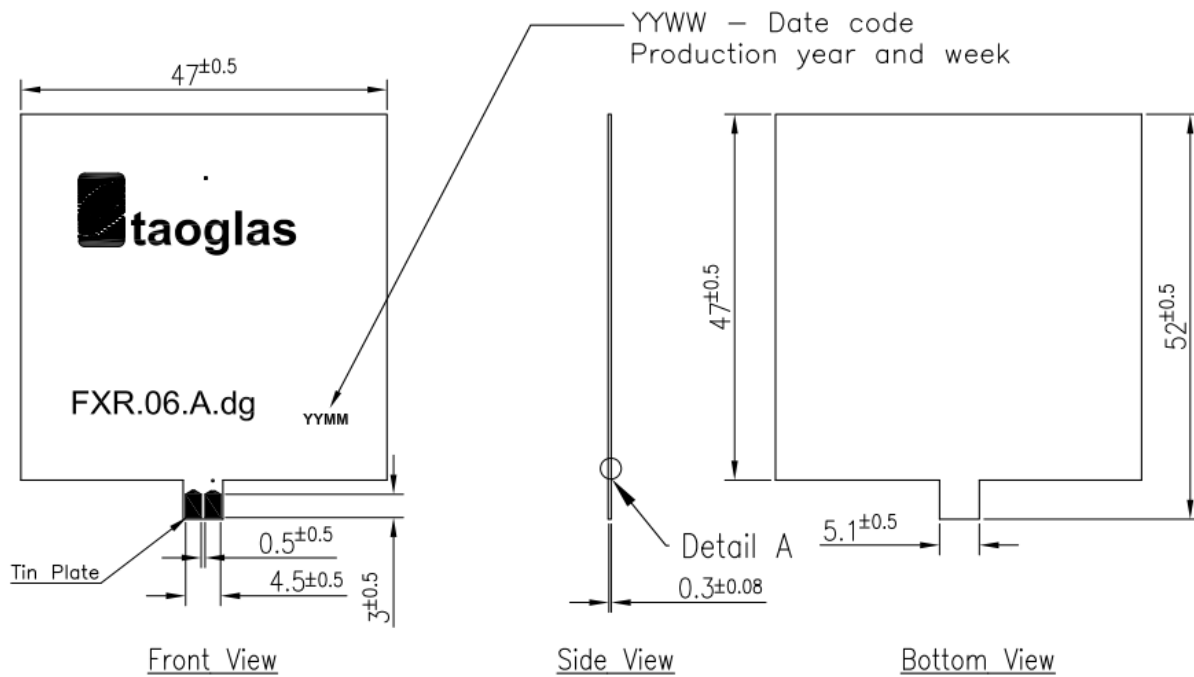
RFID Tag	Dimensions (mm)	Interrogation Distance (mm)
Topaz512 (Type 1)	43 x 43	10
NTAG203 (Type 2)	Φ 42	13
Tag-it HFI Plus RI-I11-112	45 x 45	18
Tag-it HFI Plus RI-I02-112	76 x 48	20
Tag-it HFI Plus RI-I03-112	38 x 22.5	7
Tag-it HFI Plus RI-I16-112	Φ 24.2	10
Button type	Φ 22	8
Tag-it HFI Plus RI-I17-112	Φ 32.5	10

4. Mechanical Drawing (Units: mm)



DETAIL : "A"
SCALE: "20/1"

	Name	Material	Finish	QTY
1	FXR.06.A FPCB 47x52	Polymer	Black	1
2	Double Sided Adhesive	3M467	Natural	1
3	FXR.06.A.dg Flux Director	Ferrite	Natural	1
4	Adhesive Tape	Adhesive Tape	Natural	1

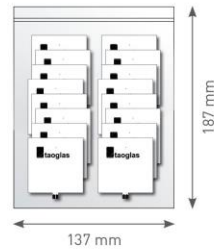


5. Packaging

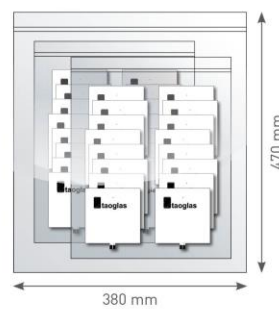
FXR.06.A.dg

Packaging Specifications

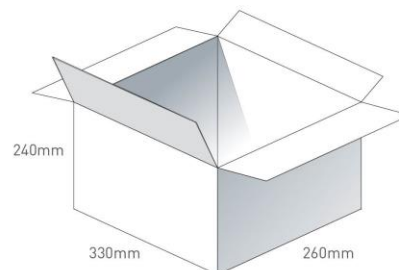
100pcs FXR.06.A.dg per PE Bag
 Bag Dimensions - 187 x 137mm
 Weight - 320g



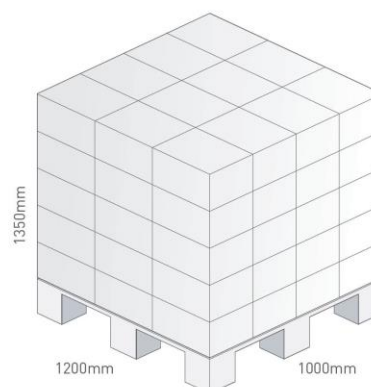
1000pcs FXR.06.A.dg per PE Large Bag
 Bag Dimensions - 470 x 380mm
 Weight - 3.2Kg



Carton Qty - 5,000 FXR.06.A.dg
 Carton - 330 x 260 x 240mm
 Weight - 16.5Kg



Pallet Dimensions 1200 x 1000 x 1350mm
 60 Cartons per Pallet
 12 Cartons per layer
 5 Layers



Changelog for the datasheet

SPE-15-8-027 – FXR.06.A.dg

Revision: D (Current Version)

Date:	2022-05-30
Changes:	Updated Specification
Changes Made by:	Cesar Sousa

Previous Revisions

Revision: C (Current Version)

Date:	2021-04-14
Changes:	New Values Added
Changes Made by:	Jack Conroy

Revision: B

Date:	2015-12-21
Changes:	Updated intro
Changes Made by:	Jack Conroy

Revision: A (Original First Release)

Date:	2015-06-05
Notes:	
Author:	Jack Conroy