

SUMMARY



Image is for illustrative purpose only

Wires

Low voltage	2
High voltage	2
Fiber optic	2

Series	3K
Termination type	Hybrid contacts
IP rating	50
AWG wire size	24.00 - 20.00
Cable Ø	0.00 - 0.00 mm
Status	active
Matching parts	PUW.3K.93C.YSEC96

Download

- [Request a quote](#)
- [Catalog](#)

TECHNICAL DETAILS

Mechanics

Shell Style/Model	FX*: Fixed plug 'Y design' with round flange (4 hole fixing) without collet
Keying	5 keys (alpha=95, beta=115, gamma=20, delta=30, plug: female LV, male HV, female FO contacts)
Housing Material	Special housing (see notes for details)
Weight	119.59 g

Performance

Configuration	3K.93C : 2 FO Type F2, 2 HV + 2 LV
Insulator	
Rated Current	10 Amps

Specifications

Fiber Optic Contact: Type F2
Vtest power/signal (AC): 2250V , 1000V
Working voltage power/signal(AC): 600V , 42V
Cable type: SMPTE 311M or EBU R100

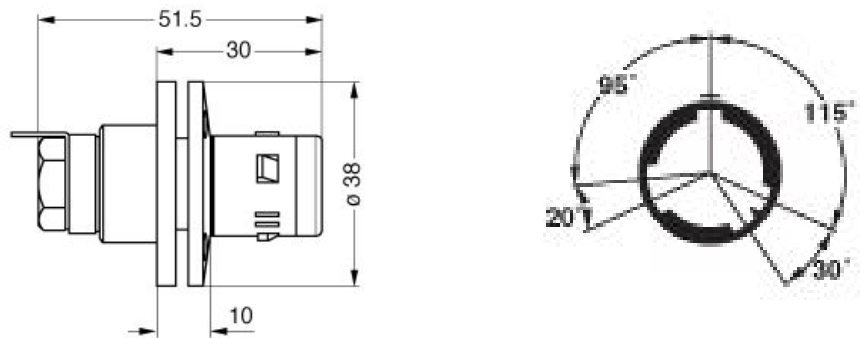
Others

Endurance (Shell): 20000 mating cycles

LEMO products and services are provided "as is". LEMO makes no warranties or representations with regard to LEMO product & services or use of them, express, implied or statutory, including for accuracy, completeness, or security. The user is fully responsible for his products and applications using LEMO components.

Temp (min / max): -40° C / +80° C
Humidity (max): <=95% [at 60 deg C /140 F]
Vibration: 15 g [10 Hz - 2000 Hz]
Shock Resistance: 100 g [6 ms]
Climatical Category: 50/175/21
Shielding (min): 95 dB (10 MHz)
Shielding (min): 80 dB (1 GHz)

DRAWINGS



Dimensions

	A	L	M	P
mm.	38	51.5	10	30
in.	1,50	2,03	0,39	1,18

RECOMMENDED BY LEMO

Tools

Crimp settings: AWG/Selector = 14-16-18 20-22-24/7-6-5 6-5-5
Positionner: [DCE.91.093.BVC](#)
Positionner 2: [DCE.91.133.BVCM](#)
Extractor: [DCC.09.05B.LAG](#)
Extractor 2: [DCC.13.15B.LAG](#)

LEMO products and services are provided "as is". LEMO makes no warranties or representations with regard to LEMO product & services or use of them, express, implied or statutory, including for accuracy, completeness, or security. The user is fully responsible for his products and applications using LEMO components.