

# Class G

## Open fuse blocks



### Catalog symbols:

- BG\_ (1-30A)
- G\_ (35-60A)

### Description:

A range of open 1-, 2- and 3-pole fuse blocks for Class G fuses.

### Specifications:

#### Ratings

- Volts:
  - 600V (1-20A)
  - 480V (25-60A)
- Amps: 1 to 60A
- Withstand rating: 100kA RMS Sym

### Agency information

- 1-30A: UL® Recognized, UL 512, Guide IZLT2, File E14853
- 35-60A: UL Listed, UL 512, Guide IZLT, File E14853
- 1-60A CSA® Certified, C22.2 No. 39, Class 6225-01; File 47235
- RoHS compliant

### Recommended fuses:

- SC

### Material

#### Base:

- Thermoplastic (1-30A models)
- Phenolic (35-60A models)

#### Fuse clip:

- Bimetallic copper alloy (1-30A models)
- Plated copper (35-60A models)

### DIN-Rail adapters:

- DRA-1 and DRA-2



Powering Business Worldwide

Catalog numbers:

Amps	Poles	Terminal type			Fig. No.
		Screw with quick-connect*	Pressure plate with quick-connect*	Box lug	
1 to 15	1	BG3011SQ	BG3011PQ	BG3011B	1
	2	BG3012SQ	BG3012PQ	BG3012B	2
	3	BG3013SQ	BG3013PQ	BG3013B	3
20	1	BG3021SQ	BG3021PQ	BG3021B	1
	2	BG3022SQ	BG3022PQ	BG3022B	2
	3	BG3023SQ	BG3023PQ	BG3023B	3
25 to 30	1	BG3031S	BG3031P	BG3031B	1
	2	BG3032S	BG3032P	BG3032B	2
	3	BG3033S	BG3033P	BG3033B	3
35 to 60	1	—	—	—	G30060-1CR
	2	—	—	—	G30060-2CR
	3	—	—	G30060-3C**	G30060-3CR
Wire range		#10 - #14Cu	#10 - #18Cu	#6 - #14Cu (1-30A) #2 - #14Cu, #2 - #8Al (35-60A)	#2 - #14Cu, #2 - #8Al

\* Quick connect rated for 20A maximum.

\*\* Not RoHS compliant.

Dimensions - in ( $\pm 0.015$ ):

1-30A

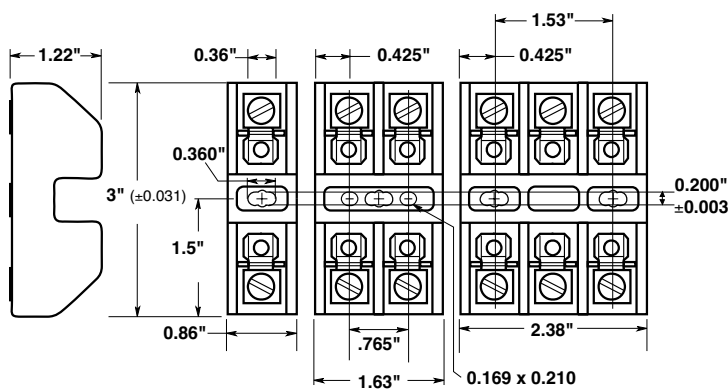


Figure 1. Figure 2. Figure 3.

35-60A

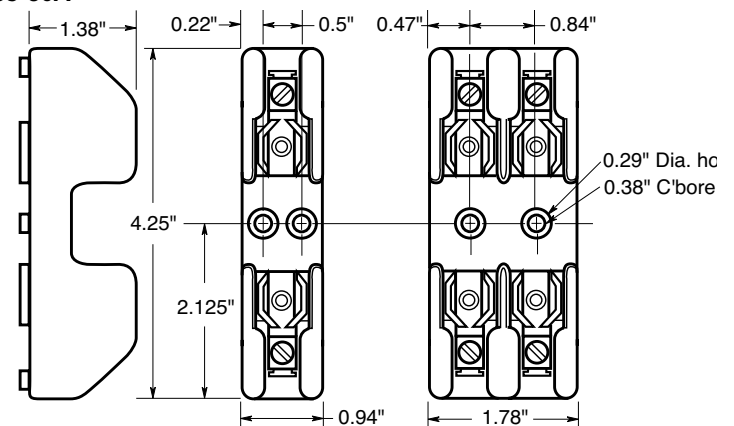


Figure 4. Figure 5.

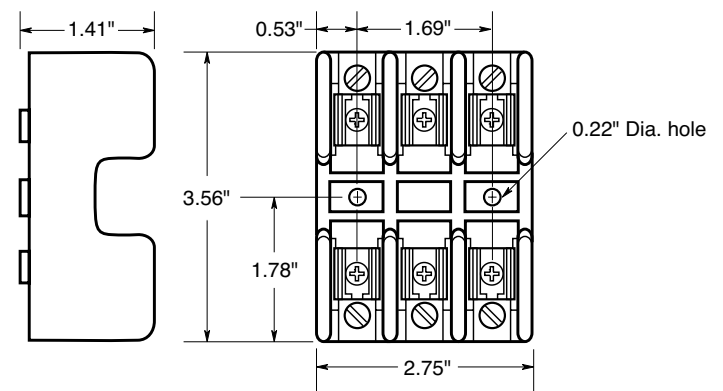


Figure 6.