

# Receiver for Digital Signals Type G 3830 5543



- 8-channel receiver
- Galvanically separated SPST relay outputs
- Load: 8 x 5 A/250 VAC
- H8-housing
- For mounting on DIN-rail (EN 50022)
- LED-indications for supply, Dupline® carrier and outputs
- AC or DC power supply
- Channel coding by GAP 1605

## Product Description

Dupline® receiver. Control of 8 loads of up to 250 VAC/5 A.  
SPST relay outputs for con-

## Ordering Key

**G 3830 5543 024**

Type: Dupline®  
H8-housing  
Receiver  
No. of channels  
Output type  
Power supply

## Type Selection

### Supply

24 VAC  
115 VAC  
230 VAC  
15-30 VDC

Ordering no.  
8 channels  
5 A/250 VAC

G 3830 5543 024  
G 3830 5543 115  
G 3830 5543 230  
G 3830 5543 824

## Supply Specifications

### Power supply AC types

Rated operational voltage through term. 21 & 22 230 115 024  
Frequency  
Voltage interruption  
Rated operational power  
Rated impulse withstand voltage 230 115 024  
Dielectric voltage  
Supply - Dupline®  
Supply - Outputs

Overvoltage cat. III (IEC 60664)  
230 VAC, ±15% (IEC 60038)  
115 VAC, ±15% (IEC 60038)  
24 VAC, ±15%  
45 to 65 Hz  
≤ 40 ms  
Typ. 7.0 VA  
4 kV  
2.5 kV  
800 V  
≥ 4 kVAC (rms)  
≥ 4 kVAC (rms)

### Power supply DC type

Rated operational voltage through term. 21 & 22 824  
Ripple  
Reverse-polarity protection  
Rated operational power  
Power dissipation  
Inrush current  
Rated impulse withstand voltage  
Dielectric voltage  
Supply - Dupline®  
Supply - Inputs  
Supply - Outputs

Overvoltage cat. III (IEC 60664)  
15 to 30 VDC (ripple included)  
≤ 3 V  
Yes  
≤ 1.5 W  
≤ 5.5 W  
≤ 1 A  
800 V  
≥ 200 VAC (rms)  
≥ 4 kVAC (rms)  
≥ 4 kVAC (rms)

## Output Specifications

### Outputs

Isolated in groups of 8, SPST relays  
Contact ratings (AgCdO) 8 x 1  
Resistive loads AC 1 5 A/250 VAC (1250 VA)  
DC 1 0.25 A/250 VDC (62 W)  
or 5 A/25 VDC (125 W)  
Inductive loads AC 15 2.5 A/230 VAC  
DC 13 5 A/24 VDC

Mechanical lifetime ≥ 30 x 10<sup>6</sup> operations  
Electrical lifetime (at max. load) AC 1 ≥ 2.0 x 10<sup>5</sup> operations  
Operating frequency ≤ 7200 operations/h  
Dielectric voltage  
Outputs - Dupline® ≥ 4 kVAC (rms)

Response time 1 pulse train

## General Specifications

<b>Output OFF delay</b> upon loss of Dupline® carrier	≤ 20 ms
<b>Power ON delay</b>	Typ. 2 s
<b>Indication for</b> Supply ON Dupline® carrier Output ON	LED, green LED, yellow LED, red (one per output)
<b>Environment</b> Degree of protection Pollution degree Operating temperature Storage temperature	IP 20 3 (IEC 60664) -20° to +50°C (-4° to +122°F) -50° to +85°C (-58° to +185°F)
<b>Humidity</b> (non-condensing)	20 to 80%
<b>Mechanical resistance</b> Shock Vibration	15 G (11 ms) 2 G (6 to 55 Hz)
<b>Dimensions</b>	
<b>Material</b> (see Technical information)	H8-housing
<b>Weight</b>	800 g

## Mode of Operation

8-channel receiver with 8 normally open contact outputs. Each output may be coded individually by means of the code programmer GAP 1605. For details, please refer to the respective data sheet.

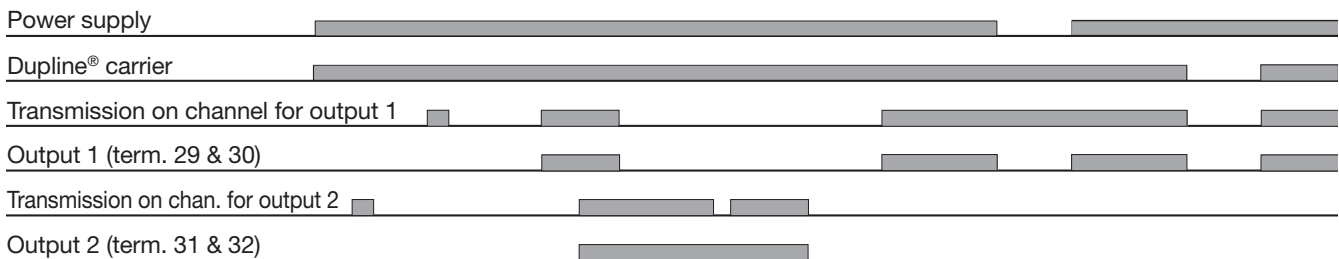
The outputs are normally off. When a transmitter coded to the selected channel is activated, the output turns on and remains on until the respective channel becomes deactivated.

The default setting of the module is such that upon loss of Dupline® carrier **all** the outputs go off.

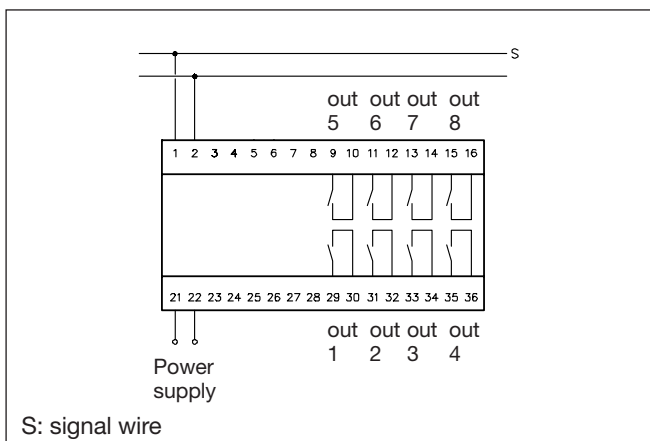
### Output connections

- Output 1: terminals 29 & 30
- Output 2: terminals 31 & 32
- Output 3: terminals 33 & 34
- Output 4: terminals 35 & 36
- Output 5: terminals 9 & 10
- Output 6: terminals 11 & 12
- Output 7: terminals 13 & 14
- Output 8: terminals 15 & 16

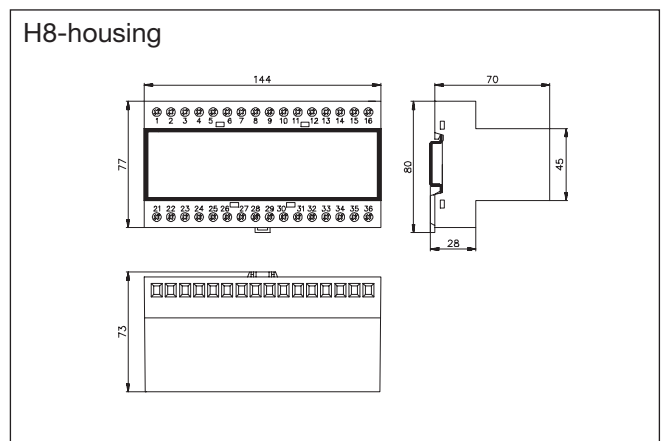
## Operation Diagram



## Wiring Diagram



## Dimensions (mm)



## Accessories

DIN-rail FMD 411

For further information see "Accessories".