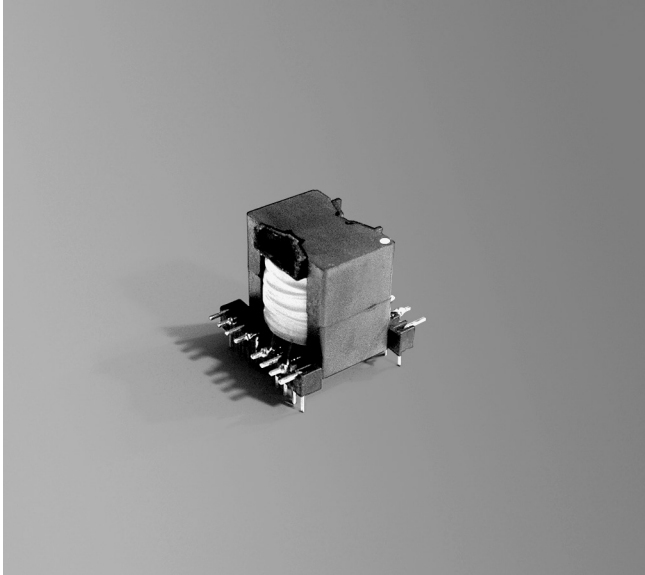


Flyback Transformer GA0007-AL



- Optimized for ON Semiconductor's NCP1351 Variable Off Time PWM Controller and Microchip's HV96001 LED Controller
- 32 V, 1.0 A and 16 V, 0.75 A Outputs. Output of the auxiliary winding is 16 V.
- Operates in discontinuous mode with a universal input
- 3000 Vrms, one minute isolation Pri and Aux to Sec1 and Sec2.
- 500 Vrms, one minute isolation Pri to Aux and between Sec1 and Sec2

Core material Ferrite

Terminations RoHS tin-silver over tin over nickel over phos bronze. Other terminations available at additional cost.

Weight 23.5 g

Ambient temperature -40°C to +85°C

Storage temperature Component: -40°C to +85°C.
Tray packaging: -40°C to +80°C

Resistance to soldering heat Max three 40 second reflows at +260°C, parts cooled to room temperature between cycles

Moisture Sensitivity Level (MSL) 1 (unlimited floor life at <30°C / 85% relative humidity)

Packaging 64 parts per tray

PCB washing Only pure water or alcohol recommended

Part number	L at 0 A ¹ ±10% (µH)	L at Ipk ² min (µH)	DCR max (Ohms)				Leakage L ³ max (µH)	Turns ratio pri : sec1 : sec2 : aux	Ipk ² (A)
			pri	sec1	sec2	aux			
GA0007-AL	270	243	0.25	0.027	0.045	0.26	8.16	5 : 1 : 1 : 1	3.0

1. Inductance is for the primary, measured at 45 kHz, 0.8 Vrms, 0 Adc.

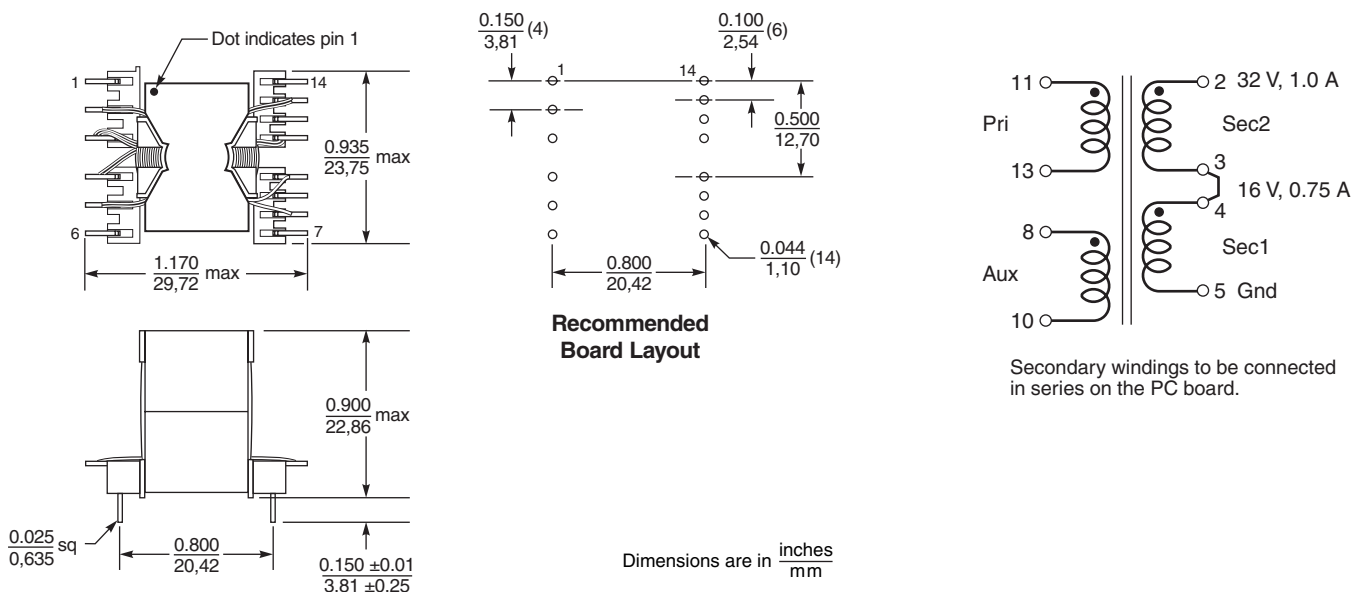
2. Ipk is the peak current drawn at minimum input voltage.

3. Leakage inductance measured on the primary winding with all secondary pins shorted.

4. Ambient operating temperature range -40°C to +85°C.

5. Electrical specifications at 25°C.

Refer to Doc 362 "Soldering Surface Mount Components" before soldering.



www.coilcraft.com

US +1-847-639-6400 sales@coilcraft.com
UK +44-1236-730595 sales@coilcraft-europe.com
Taiwan +886-2-2264 3646 sales@coilcraft.com.tw
China +86-21-6218 8074 sales@coilcraft.com.cn
Singapore + 65-6484 8412 sales@coilcraft.com.sg

Document 605 Revised 11/17/21

© Coilcraft Inc. 2021

This product may not be used in medical or high risk applications without prior Coilcraft approval. Specification subject to change without notice. Please check web site for latest information.