

MODEL: GA0929 | **DESCRIPTION:** SPEAKER**FEATURES**

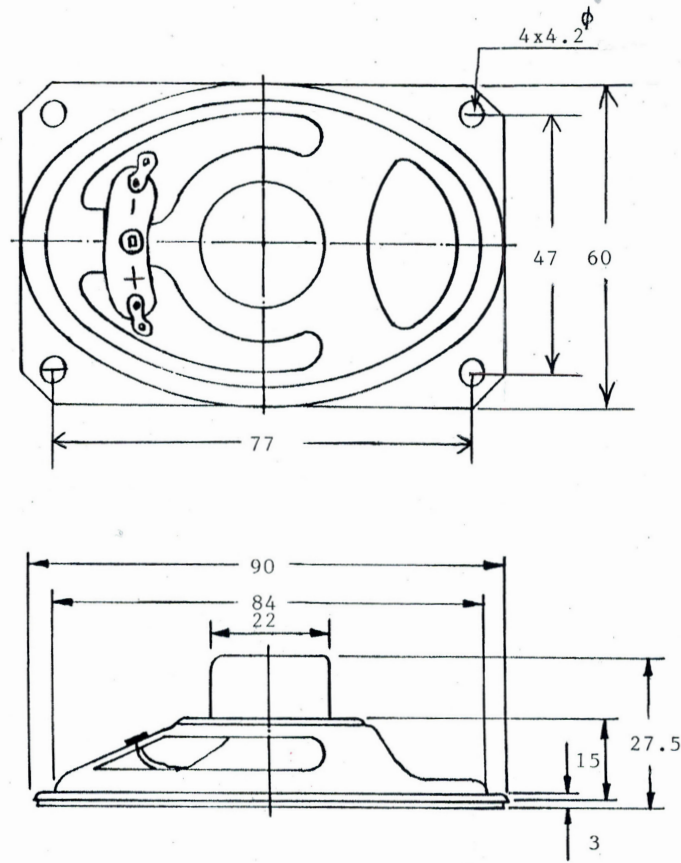
- 90 x 60 mm
- rectangular frame
- 1 W
- 8 Ω
- AlNiCo magnet
- paper cone

**SPECIFICATIONS**

parameter	conditions/description	min	typ	max	units
input power			1	2	W
impedance	at 0.8 kHz, 1.0 V	6.9	8	9.2	Ω
resonant frequency (Fo)	at 1.0 V	192	240	288	Hz
frequency response		Fo		3,800	Hz
sound pressure level	at 1.0 W, 50 cm, avg at 1.0, 1.4, 1.7, 2.0 kHz	92	95	98	dB
buzz, rattle, etc.	must be normal at sine wave			2.83	V
dimensions	90 x 60 x 27.5				mm
magnet	AlNiCo magnet				
cone material	paper				
terminal	solder eyelets				
weight			54		g
operating temperature		-25		70	$^{\circ}\text{C}$
hand soldering	for maximum 3 seconds	360	380	400	$^{\circ}\text{C}$
RoHS	yes				

MECHANICAL DRAWING

units: mm
tolerance: ±0.8 mm



FREQUENCY RESPONSE CURVE

parameter	conditions/description
potentiometer range	50 dB
rectifier	RMS
lower limit frequency	20 Hz
wr. speed	100 mm/sec
zero level	60 dB

