

**MODEL:** GA1006 | **DESCRIPTION:** SPEAKER**FEATURES**

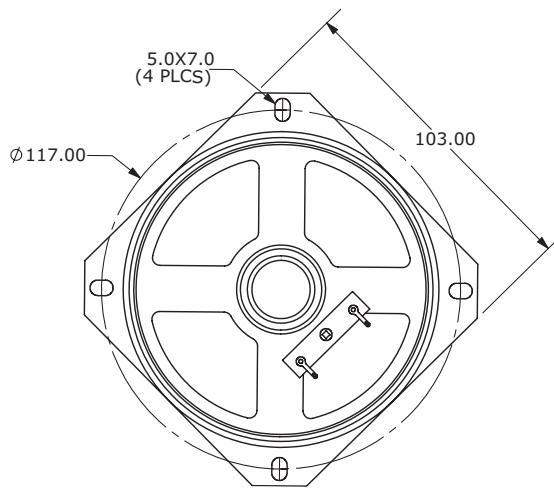
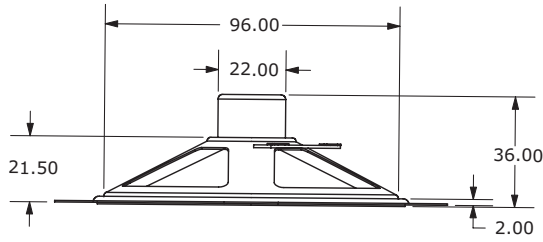
- 103 mm
- square frame
- 2 W
- 8  $\Omega$
- AlNiCo magnet
- paper cone

**SPECIFICATIONS**

| parameter               | conditions/description                         | min | typ | max    | units    |
|-------------------------|------------------------------------------------|-----|-----|--------|----------|
| input power             |                                                |     | 2   | 3      | W        |
| impedance               | at 0.8 kHz, 1.0 V                              | 6.9 | 8   | 9.2    | $\Omega$ |
| resonant frequency (Fo) | at 1.0 V                                       | 160 | 200 | 240    | Hz       |
| frequency response      |                                                | Fo  |     | 15,000 | Hz       |
| sound pressure level    | at 1.0 W, 50 cm, avg at 0.5, 0.7, 0.9, 1.0 kHz | 89  | 92  | 95     | dB       |
| buzz, rattle, etc.      | must be normal at sine wave                    |     |     | 4.0    | V        |
| dimensions              | 103 x 103 x 36                                 |     |     |        | mm       |
| magnet                  | AlNiCo                                         |     |     |        |          |
| cone material           | paper                                          |     |     |        |          |
| terminal                | solder eyelets                                 |     |     |        |          |
| RoHS                    | yes                                            |     |     |        |          |

## MECHANICAL DRAWING

units: mm  
tolerance: ±0.5 mm



## FREQUENCY RESPONSE CURVE

| parameter             | conditions/description |
|-----------------------|------------------------|
| potentiometer range   | 50 dB                  |
| rectifier             | RMS                    |
| lower limit frequency | 20 Hz                  |
| wr. speed             | 100 mm/sec             |
| zero level            | 70 dB                  |

