

## 15A, 25A, 35A, 50V - 1000V Standard Bridge Rectifier

### FEATURES

- Glass passivated chip junction
- Integrally molded heatsink provide very low thermal resistance for maximum heat dissipation
- Typical  $I_R$  less than  $0.2\mu A$
- High surge current capability
- UL Recognized File # E-326243
- RoHS Compliant

### APPLICATIONS

- Switching mode power supply (SMPS)
- AC to DC converter

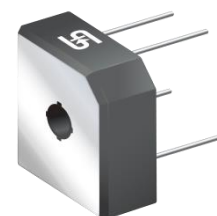
### MECHANICAL DATA

- Case: GBPC  
GBPC-W: Wire structure  
GBPC40-M: Terminal cathode parallel to anode
- Molding compound meets UL 94V-0 flammability rating
- Terminal: Matte tin plated leads, solderable per J-STD-002
- Meet JESD 201 class 1A whisker test
- Mounting torque: 20 in-lbs maximum
- Polarity: As marked
- Weight: 16.95g (approximately)

KEY PARAMETERS		
PARAMETER	VALUE	UNIT
$I_F$	15, 25, 35	A
$V_{RRM}$	50 - 1000	V
$I_{FSM}$	300, 400	A
$T_{JMAX}$	150	°C
Package	GBPC	
Configuration	Quad	



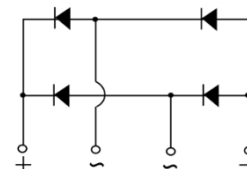
GBPC



GBPC-W



GBPC-M



### ABSOLUTE MAXIMUM RATINGS ( $T_A = 25^\circ C$ unless otherwise noted)

PARAMETER	SYMBOL	GBPC15, 25, 35							UNIT
		005	01	02	04	06	08	10	
Repetitive peak reverse voltage	$V_{RRM}$	50	100	200	400	600	800	1000	V
Reverse voltage, total rms value	$V_{R(RMS)}$	35	70	140	280	420	560	700	V
Forward current	GBPC15	15							A
	GBPC25	25							A
	GBPC35	35							A
Peak forward surge current, 8.3ms single half sine-wave superimposed on rated load	GBPC15	300							A
	GBPC25	400							A
	GBPC35	400							A
Rating for fusing ( $t < 8.3ms$ )	GBPC15	373							$A^2s$
	GBPC25	664							$A^2s$
	GBPC35	664							$A^2s$
Junction temperature	$T_J$	- 55 to +150							°C
Storage temperature	$T_{STG}$	- 55 to +150							°C

<b>THERMAL PERFORMANCE</b>			
<b>PARAMETER</b>	<b>SYMBOL</b>	<b>TYP</b>	<b>UNIT</b>
Junction-to-case thermal resistance	$R_{\theta JC}$	1.5	°C/W

<b>ELECTRICAL SPECIFICATIONS</b> ( $T_A = 25^\circ\text{C}$ unless otherwise noted)						
<b>PARAMETER</b>		<b>CONDITIONS</b>	<b>SYMBOL</b>	<b>TYP</b>	<b>MAX</b>	<b>UNIT</b>
Forward voltage per diode <sup>(1)</sup>	GBPC15	$I_F = 7.5\text{A}, T_J = 25^\circ\text{C}$	$V_F$	-	1.1	V
	GBPC25	$I_F = 12.5\text{A}, T_J = 25^\circ\text{C}$		-	1.1	V
	GBPC35	$I_F = 17.5\text{A}, T_J = 25^\circ\text{C}$		-	1.1	V
Reverse current @ rated $V_R$ per diode <sup>(2)</sup>		$T_J = 25^\circ\text{C}$	$I_R$	-	5	$\mu\text{A}$

**Notes:**

1. Pulse test with  $PW = 0.3\text{ms}$
2. Pulse test with  $PW = 30\text{ms}$

<b>ORDERING INFORMATION</b>		
<b>ORDERING CODE<sup>(1)</sup></b>	<b>PACKAGE</b>	<b>PACKING</b>
GBPC*x	GBPC	50 / Tray
GBPC*xM	GBPC-M	50 / Tray
GBPC*xW	GBPC-W	50 / Tray

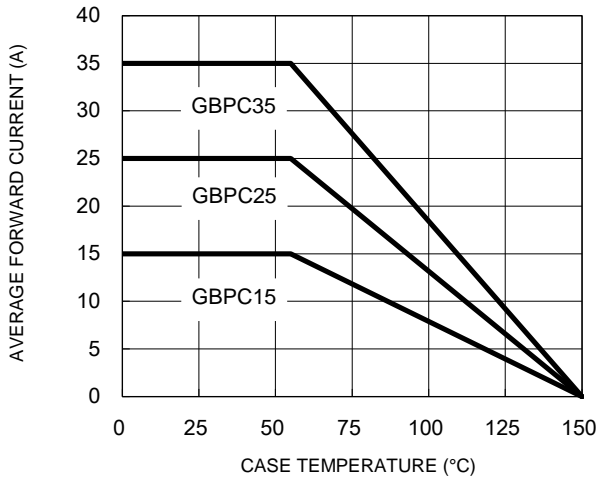
**Notes:**

1. "\*" defines current from 15A (GBPC15x/GBPC15xM/GBPC15xW) to 35A (GBPC35x/GBPC35xM/GBPC35xW), "x" defines voltage from 50V(GBPC\*005/GBPC\*005M/GBPC\*005W) to 1000V(GBPC\*10/GBPC\*10M/GBPC\*10W)

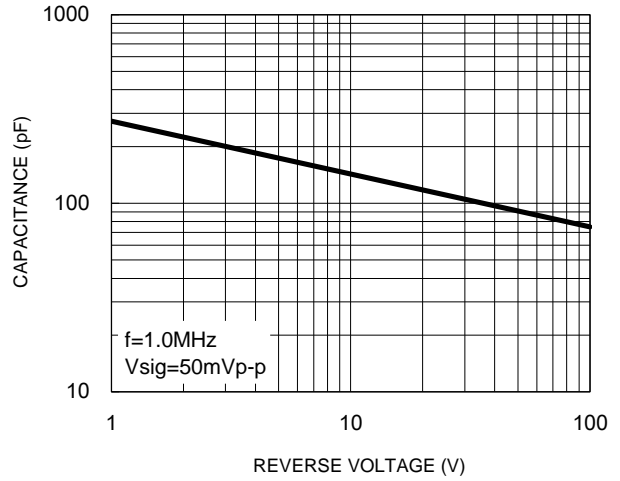
**CHARACTERISTICS CURVES**

( $T_A = 25^\circ\text{C}$  unless otherwise noted)

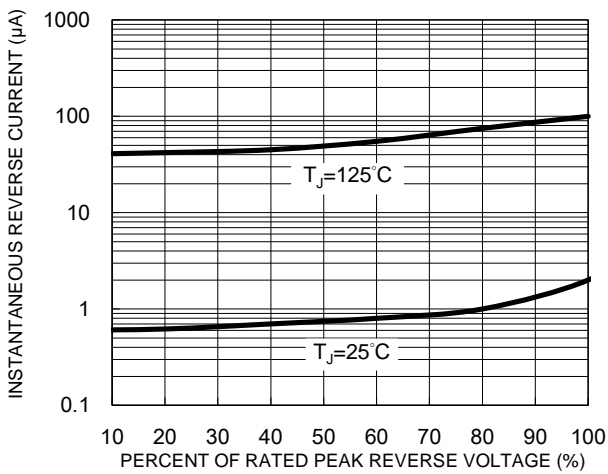
**Fig.1 Forward Current Derating Curve**



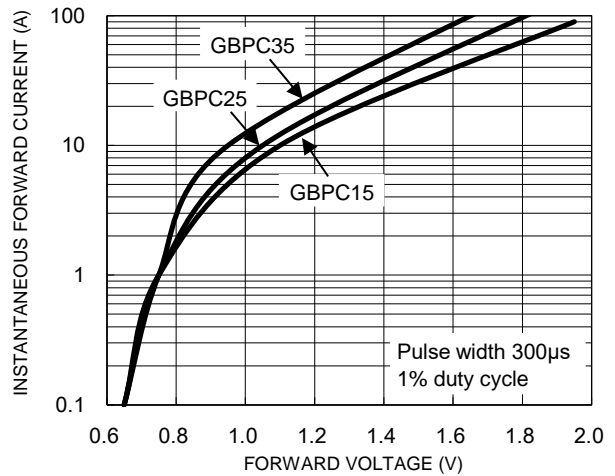
**Fig.2 Typical Junction Capacitance**



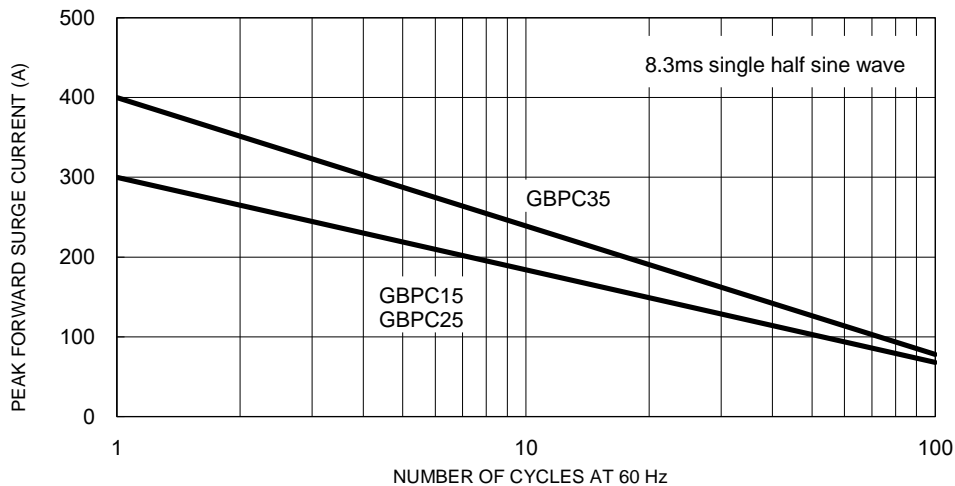
**Fig.3 Typical Reverse Characteristics**



**Fig.4 Typical Forward Characteristics**

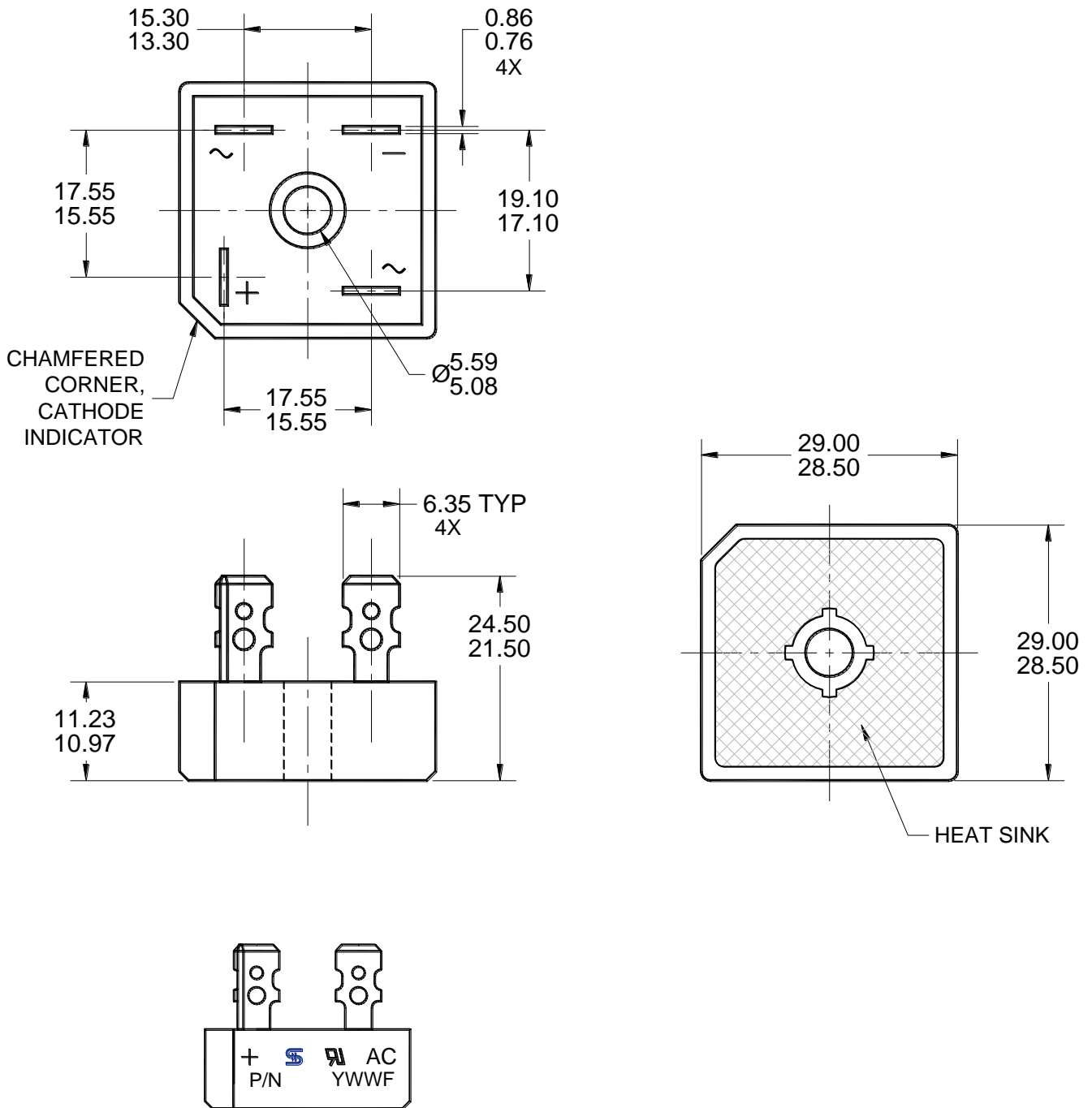


**Fig.5 Maximum Non-Repetitive Forward Surge Current**



**PACKAGE OUTLINE DIMENSIONS**

**GBPC**



**MARKING DIAGRAM**

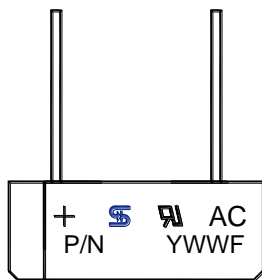
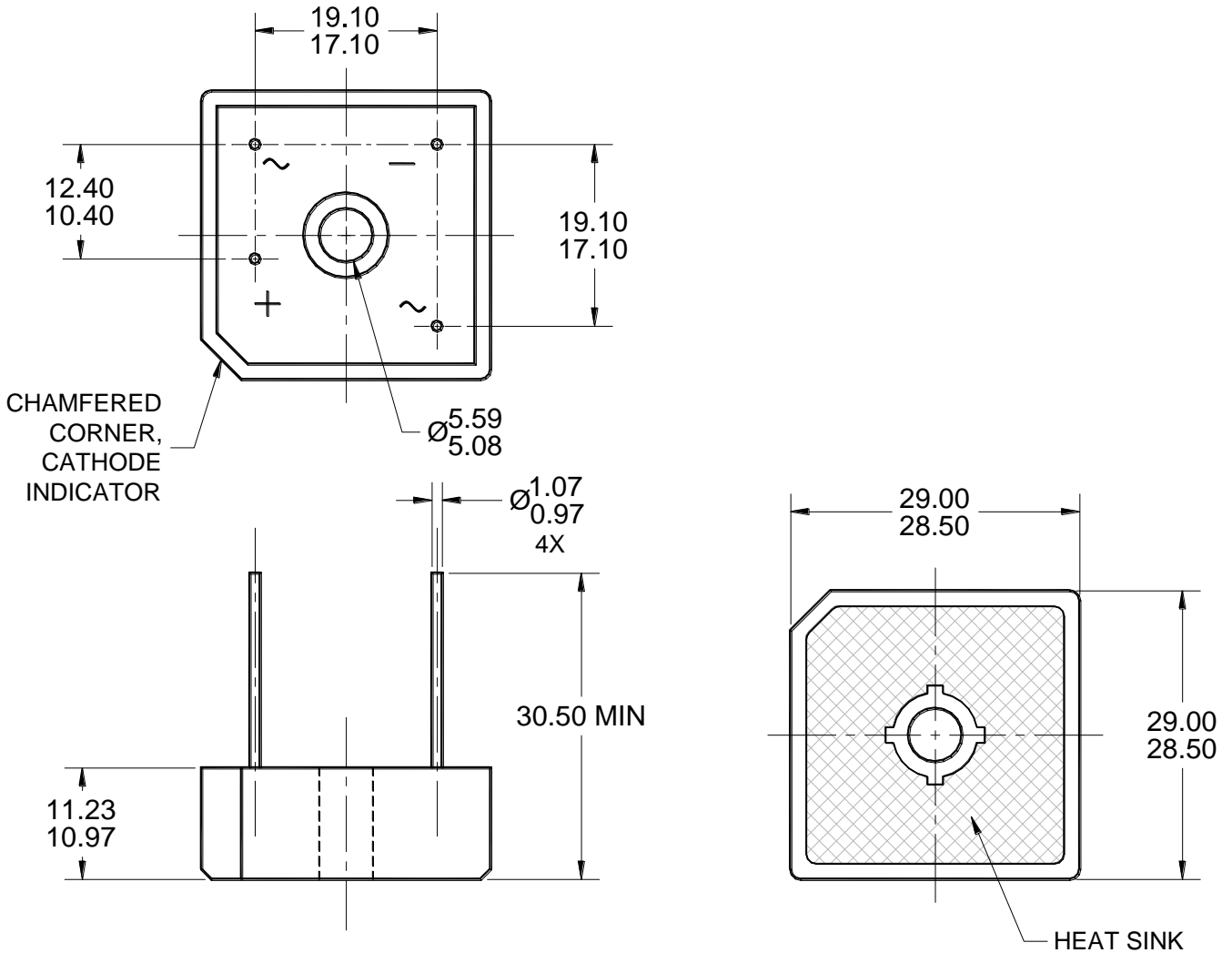
P/N = MARKING CODE  
 YWWF = DATE CODE  
 F = FACTORY CODE

**NOTES: UNLESS OTHERWISE SPECIFIED**

1. ALL DIMENSIONS ARE IN MILLIMETERS.
2. DIMENSIONING AND TOLERANCING PER ASME Y14.5M-1994.
3. DWG NO. REF: HQ2SD07-GBPC-054 REV A.

**PACKAGE OUTLINE DIMENSIONS**

**GBPC-W**



**MARKING DIAGRAM**

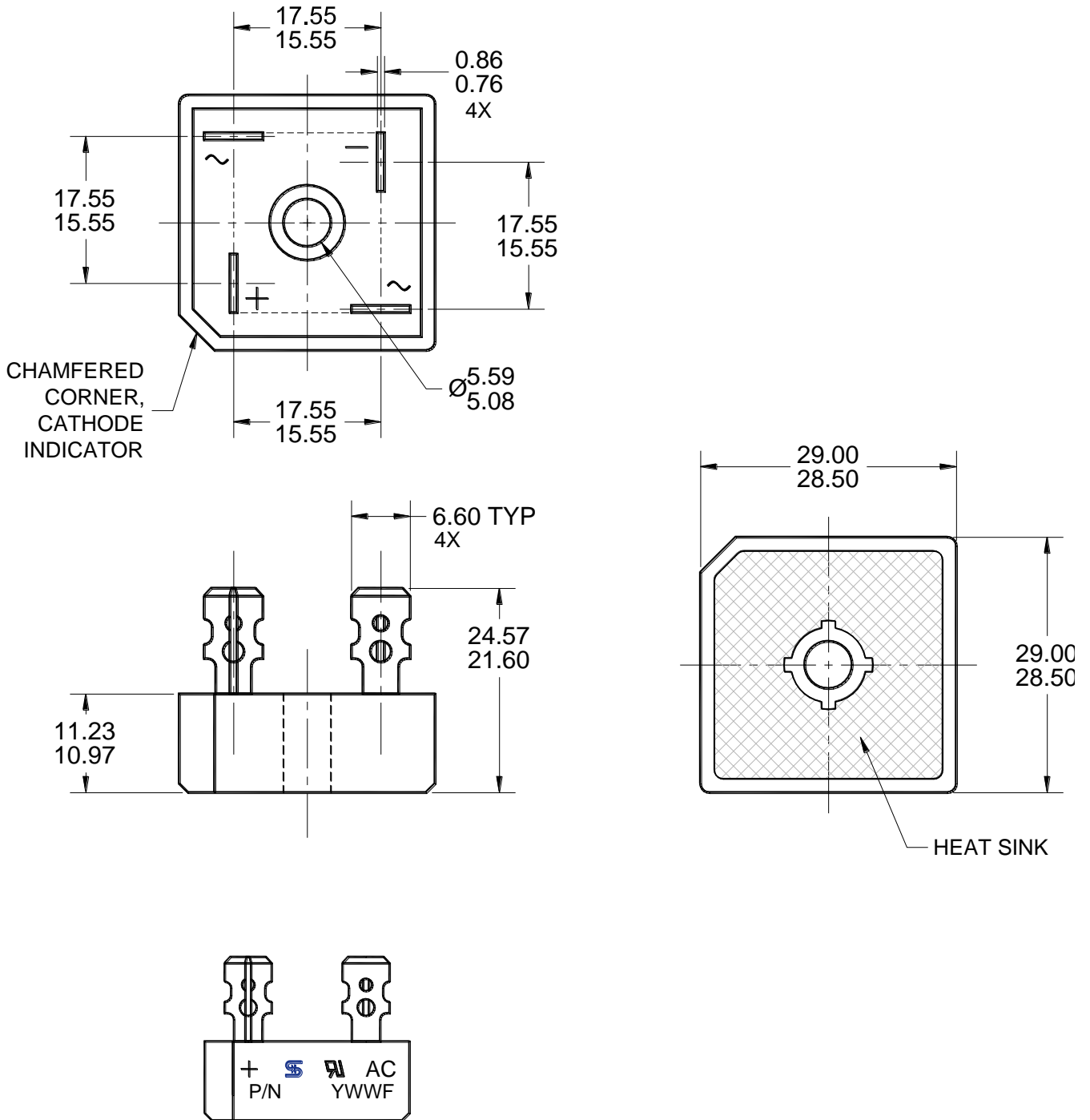
P/N = MARKING CODE  
 YWW = DATE CODE  
 F = FACTORY CODE

**NOTES: UNLESS OTHERWISE SPECIFIED**

1. ALL DIMENSIONS ARE IN MILLIMETERS.
2. DIMENSIONING AND TOLERANCING PER ASME Y14.5M-1994.
3. DWG NO. REF: HQ2SD07-GBPCW-056 REV A.

**PACKAGE OUTLINE DIMENSIONS**

**GBPC-M**



**MARKING DIAGRAM**

P/N = MARKING CODE  
 YWW = DATE CODE  
 F = FACTORY CODE

**NOTES: UNLESS OTHERWISE SPECIFIED**

1. ALL DIMENSIONS ARE IN MILLIMETERS.
2. DIMENSIONING AND TOLERANCING PER ASME Y14.5M-1994.
3. DWG NO. REF: HQ2SD07-GBPCM-055 REV A.