

MODEL: GC0351P-3 | **DESCRIPTION:** SPEAKER**FEATURES**

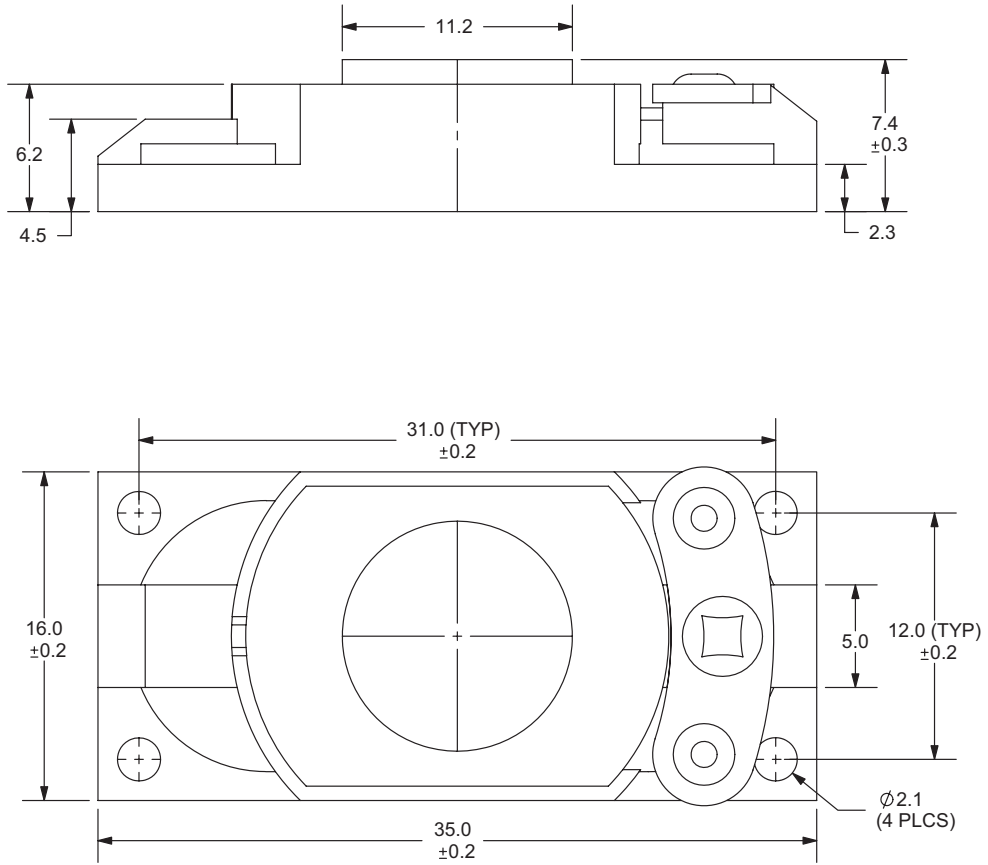
- 16 x 35 mm
- rectangular frame
- 1.0 W
- 4 Ω
- neodymium magnet
- cloth cone

**SPECIFICATIONS**

parameter	conditions/description	min	typ	max	units
input power			1.0	2.0	W
impedance	at 1.2 kHz, 2.0 V	3.4	4	4.6	Ω
resonant frequency (Fo)	at 2.0 V	504	630	756	Hz
frequency response		Fo		13,000	Hz
sound pressure level	at 1.0 W, 50 cm, avg at 0.6, 0.8, 1.0, 1.2 kHz	79	82	85	dB
buzz, rattle, etc.	must be normal at sine wave			2.0	V
dimensions	35 x 16 x 7.4				mm
magnet	Nd-Fe-B				
cone material	cloth				
terminal	solder pads				
weight			4.5		g
operating temperature		-25		60	$^{\circ}$ C
hand soldering	for maximum 3 seconds	340	350	360	$^{\circ}$ C
RoHS	yes				

MECHANICAL DRAWING

units: mm
tolerance: ±0.2 mm



FREQUENCY RESPONSE CURVE

parameter	conditions/description
potentiometer range	50 dB
rectifier	RMS
lower limit frequency	20 Hz
wr. speed	100 mm/sec
zero level	50 dB

