

MODEL: GC0402MA | **DESCRIPTION:** SPEAKER**FEATURES**

- 40 mm
- round frame
- rated 0.5 W
- 8 Ω impedance
- neodymium magnet
- PET cone

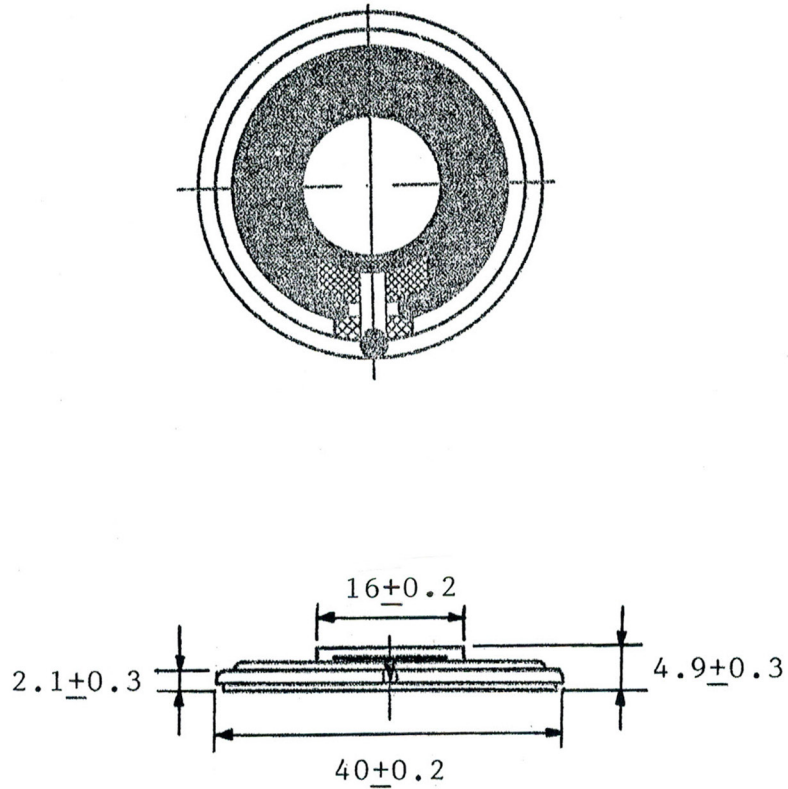
**SPECIFICATIONS**

parameter	conditions/description	min	typ	max	units
input power			0.5	1.0	W
impedance	at 1.0 kHz, 1.0 V	6.8	8	9.2	Ω
resonant frequency (Fo)	at 1.0 V	464	580	696	Hz
frequency response		Fo		10,000	Hz
sound pressure level	at 1.0 W, 50 cm, avg. at 0.8, 1.0, 1.2, 1.5 kHz	93	96	99	dB
buzz, rattle, etc.	must be normal at sine wave			2.0	V
dimensions	\varnothing 40 x 4.9				mm
magnet	Nd-Fe-B				
cone material	PET				
terminal	solder pads				
weight			9.8		g
operating temperature		-25		60	$^{\circ}$ C
hand soldering	for maximum 3 seconds	340	350	360	$^{\circ}$ C
RoHS	yes				

Notes: 1. All specifications measured at 15-35 $^{\circ}$ C, humidity at 25-75%, under 86-106 kPa pressure, unless otherwise noted.

MECHANICAL DRAWING

units: mm
tolerance: ± 0.2 mm



FREQUENCY RESPONSE CURVE

parameter	conditions/description
potentiometer range	50 dB
rectifier	RMS
lower limit frequency	20 Hz
wr. speed	100 mm/sec
zero level	70 dB

