



GD25WQ128E

DATASHEET



Contents

| | | |
|----------|---|-----------|
| 1 | FEATURES | 4 |
| 2 | GENERAL DESCRIPTIONS | 5 |
| 3 | MEMORY ORGANIZATION | 8 |
| 4 | DEVICE OPERATIONS | 9 |
| 4.1 | SPI MODE | 9 |
| 4.2 | HOLD FUNCTION | 9 |
| 4.3 | RESET FUNCTION | 10 |
| 5 | DATA PROTECTION | 11 |
| 6 | STATUS REGISTER | 13 |
| 7 | COMMAND DESCRIPTIONS | 17 |
| 7.1 | WRITE ENABLE (WREN) (06H) | 20 |
| 7.2 | WRITE DISABLE (WRDI) (04H) | 20 |
| 7.3 | READ STATUS REGISTER (RDSR) (05H/35H/15H) | 20 |
| 7.4 | WRITE STATUS REGISTER (WRSR) (01H/31H/11H) | 21 |
| 7.5 | WRITE ENABLE FOR VOLATILE STATUS REGISTER (50H) | 21 |
| 7.6 | READ DATA BYTES (READ) (03H) | 22 |
| 7.7 | READ DATA BYTES AT HIGHER SPEED (FAST READ) (0BH) | 22 |
| 7.8 | DUAL OUTPUT FAST READ (3BH) | 23 |
| 7.9 | QUAD OUTPUT FAST READ (6BH) | 24 |
| 7.10 | DUAL I/O FAST READ (BBH) | 24 |
| 7.11 | QUAD I/O FAST READ (EBH) | 25 |
| 7.12 | SET BURST WITH WRAP (77H) | 27 |
| 7.13 | PAGE PROGRAM (PP) (02H) | 27 |
| 7.14 | QUAD PAGE PROGRAM (32H) | 28 |
| 7.15 | SECTOR ERASE (SE) (20H) | 29 |
| 7.16 | 32KB BLOCK ERASE (BE) (52H) | 29 |
| 7.17 | 64KB BLOCK ERASE (BE) (D8H) | 30 |
| 7.18 | CHIP ERASE (CE) (60H/C7H) | 30 |
| 7.19 | READ MANUFACTURE ID/ DEVICE ID (REMS) (90H) | 31 |
| 7.20 | READ IDENTIFICATION (RDID) (9FH) | 31 |
| 7.21 | READ UNIQUE ID (4BH) | 32 |
| 7.22 | ERASE SECURITY REGISTERS (44H) | 33 |
| 7.23 | PROGRAM SECURITY REGISTERS (42H) | 33 |
| 7.24 | READ SECURITY REGISTERS (48H) | 34 |
| 7.25 | ENABLE RESET (66H) AND RESET (99H) | 35 |
| 7.26 | PROGRAM/ERASE SUSPEND (PES) (75H) | 35 |



| | | |
|-----------|---|-----------|
| 7.27 | PROGRAM/ERASE RESUME (PER) (7AH) | 36 |
| 7.28 | DEEP POWER-DOWN (DP) (B9H)..... | 36 |
| 7.29 | RELEASE FROM DEEP POWER-DOWN AND READ DEVICE ID (RDI) (ABH) | 37 |
| 7.30 | READ SERIAL FLASH DISCOVERABLE PARAMETER (5AH)..... | 37 |
| 8 | ELECTRICAL CHARACTERISTICS | 39 |
| 8.1 | POWER-ON TIMING..... | 39 |
| 8.2 | INITIAL DELIVERY STATE | 39 |
| 8.3 | ABSOLUTE MAXIMUM RATINGS | 39 |
| 8.4 | CAPACITANCE MEASUREMENT CONDITIONS..... | 40 |
| 8.5 | DC CHARACTERISTICS | 41 |
| 8.6 | AC CHARACTERISTICS | 44 |
| 9 | ORDERING INFORMATION..... | 51 |
| 9.1 | VALID PART NUMBERS | 52 |
| 10 | PACKAGE INFORMATION | 54 |
| 10.1 | PACKAGE SOP8 208MIL | 54 |
| 10.2 | PACKAGE SOP16 300MIL | 55 |
| 10.3 | PACKAGE USON8 (4x4MM, 0.45MM THICKNESS)..... | 56 |
| 10.4 | PACKAGE WSON8 (6x5MM)..... | 57 |
| 10.5 | PACKAGE WSON8 (8x6MM)..... | 58 |
| 10.6 | PACKAGE TFBGA-24BALL (5x5 BALL ARRAY)..... | 59 |
| 11 | REVISION HISTORY | 60 |



1 FEATURES

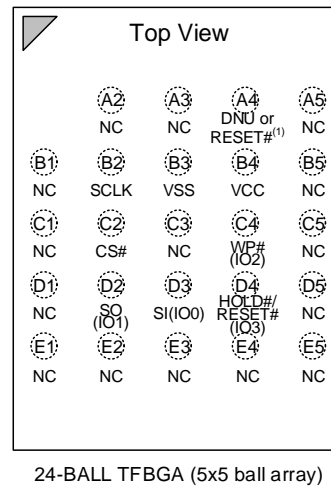
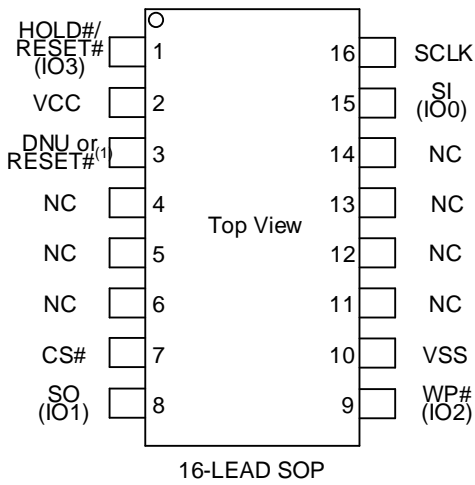
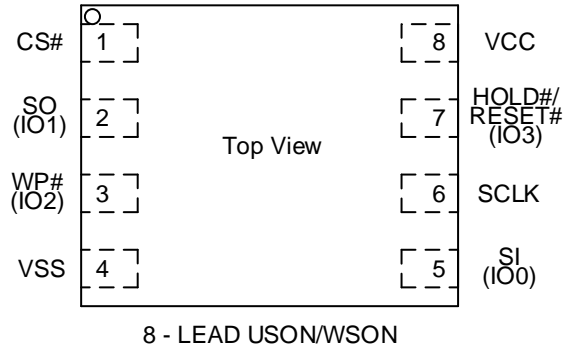
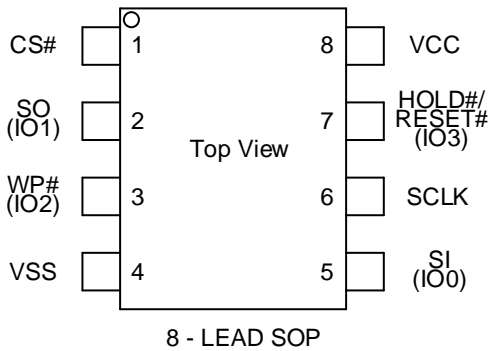
- ◆ 128M-bit Serial Flash
 - 16M-Byte
 - 256 Bytes per programmable page
- ◆ Standard, Dual, Quad SPI
 - Standard SPI: SCLK, CS#, SI, SO, WP#, HOLD#, RESET#
 - Dual SPI: SCLK, CS#, IO0, IO1, WP#, HOLD#, RESET#
 - Quad SPI: SCLK, CS#, IO0, IO1, IO2, IO3, RESET#
- ◆ High Speed Clock Frequency
 - 104MHz for fast read with 30PF load
 - Dual I/O Data transfer up to 208Mbits/s
 - Quad I/O Data transfer up to 416Mbits/s
- ◆ Software/Hardware Write Protection
 - Write protect all/portion of memory via software
 - Enable/Disable protection with WP# Pin
 - Top/Bottom Block protection
- ◆ Endurance and Data Retention
 - Minimum 100,000 Program/Erase Cycles
 - 20-year data retention typical
- ◆ Allows XiP (eXecute In Place) Operation
 - High speed Read reduce overall XiP instruction fetch time
 - Continuous Read with Wrap further reduce data latency to fill up SoC cache
- ◆ Fast Program/Erase Speed
 - Page Program time: 1ms typical
 - Sector Erase time: 100ms typical
 - Block Erase time: 0.3s/0.5s typical
 - Chip Erase time: 100s typical
- ◆ Flexible Architecture
 - Uniform Sector of 4K-Byte
 - Uniform Block of 32/64K-Byte
- ◆ Low Power Consumption
 - 14 μ A typical standby current
 - 0.1 μ A typical deep power down current
- ◆ Advanced Security Features
 - 128-bit Unique ID for each device
 - Serial Flash Discoverable parameters (SFDP) register
 - 3x1024-Byte Security Registers With OTP Locks
- ◆ Single Power Supply Voltage
 - Full voltage range: 1.65-3.6V
- ◆ Package Information
 - SOP8 208mil
 - SOP16 300mil
 - USON8 (4x4mm, 0.45mm thickness)
 - WSON8 (6x5mm)
 - WSON8 (8x6mm)
 - TFBGA-24ball (5x5 Ball Array)



2 GENERAL DESCRIPTIONS

The GD25WQ128E (128M-bit) Serial flash supports the standard Serial Peripheral Interface (SPI), and the Dual/Quad SPI: Serial Clock, Chip Select, Serial Data I/O0 (SI), I/O1 (SO), I/O2 (WP#), I/O3 (HOLD#/RESET#). The Dual I/O data is transferred with speed of 208Mbit/s, and the Quad I/O data is transferred with speed of 416Mbit/s.

CONNECTION DIAGRAM





PIN DESCRIPTION

Table 1. Pin Description for SOP8/WSON8 Package

| Pin No. | Pin Name | I/O | Description |
|---------|--------------------|-----|---|
| 1 | CS# | I | Chip Select Input |
| 2 | SO (IO1) | I/O | Data Output (Data Input Output 1) |
| 3 | WP# (IO2) | I/O | Write Protect Input (Data Input Output 2) |
| 4 | VSS | | Ground |
| 5 | SI (IO0) | I/O | Data Input (Data Input Output 0) |
| 6 | SCLK | I | Serial Clock Input |
| 7 | HOLD#/RESET# (IO3) | I/O | Hold or Reset Input (Data Input Output 3) |
| 8 | VCC | | Power Supply |

Table 2. Pin Description for SOP16 Package

| Pin No. | Pin Name | I/O | Description |
|------------------|--------------------|-----|---|
| 1 | HOLD#/RESET# (IO3) | I/O | Hold or Reset Input (Data Input Output 3) |
| 2 | VCC | | Power Supply |
| 3 | DNU | | Do Not Use (It may connect to internal signal inside) |
| 3 ⁽¹⁾ | RESET# | I | Reset Input |
| 7 | CS# | I | Chip Select Input |
| 8 | SO (IO1) | I/O | Data Output (Data Input Output 1) |
| 9 | WP# (IO2) | I/O | Write Protect Input (Data Input Output 2) |
| 10 | VSS | | Ground |
| 15 | SI (IO0) | I/O | Data Input (Data Input Output 0) |
| 16 | SCLK | I | Serial Clock Input |

Table 3. Pin Description for TFBGA24 Package

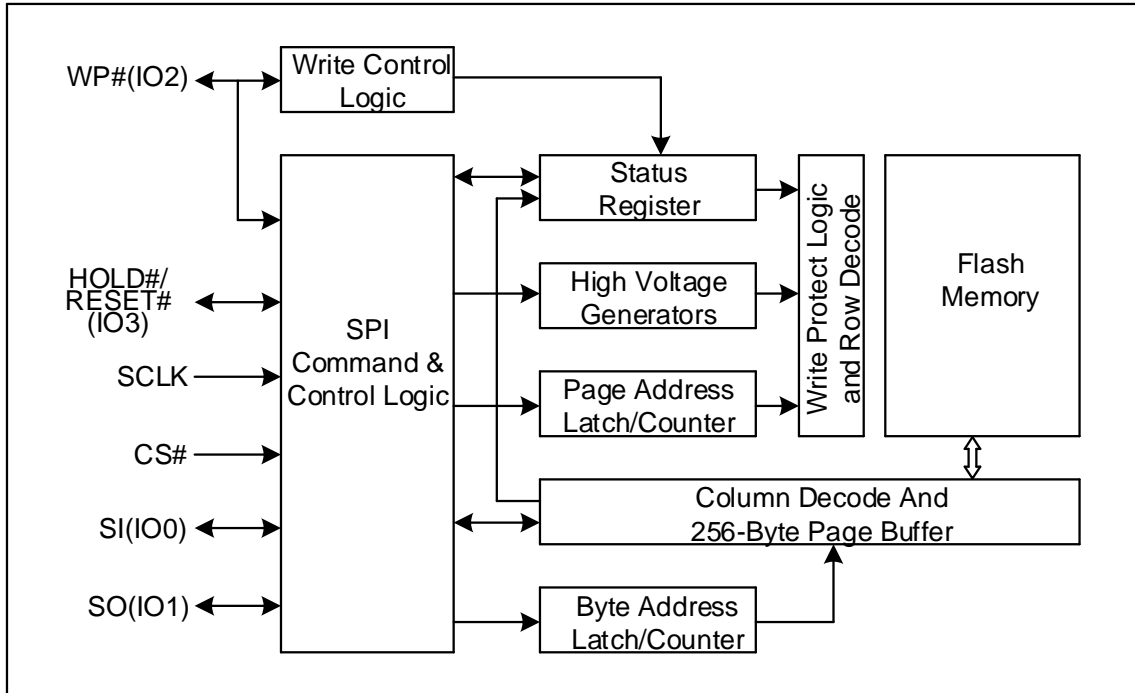
| Pin No. | Pin Name | I/O | Description |
|-------------------|--------------------|-----|---|
| A4 | DNU | | Do Not Use (It may connect to internal signal inside) |
| A4 ⁽¹⁾ | RESET# | I | Reset Input |
| B2 | SCLK | I | Serial Clock Input |
| B3 | VSS | | Ground |
| B4 | VCC | | Power Supply |
| C2 | CS# | I | Chip Select Input |
| C4 | WP# (IO2) | I/O | Write Protect Input (Data Input Output 2) |
| D2 | SO (IO1) | I/O | Data Output (Data Input Output 1) |
| D3 | SI (IO0) | I/O | Data Input (Data Input Output 0) |
| D4 | HOLD#/RESET# (IO3) | I/O | Hold or Reset Input (Data Input Output 3) |

Note:

1. Only for special order, Pin 3 of 16-LEAD SOP package or Pin A4 of 24-BALL TFBGA (5x5 ball array) package is RESET# pin. Please contact GigaDevice for detail.
2. CS# must be driven high if chip is not selected. Please don't leave CS# floating any time after power is on.
3. The DNU pin/ball must be floating. It may connect to internal signal inside.



BLOCK DIAGRAM





3 MEMORY ORGANIZATION

GD25WQ128E

| Each device has | Each block has | Each sector has | Each page has | |
|-----------------|----------------|-----------------|---------------|---------|
| 16M | 64/32K | 4K | 256 | Bytes |
| 64K | 256/128 | 16 | - | pages |
| 4K | 16/8 | - | - | sectors |
| 256/512 | - | - | - | blocks |

UNIFORM BLOCK SECTOR ARCHITECTURE

GD25WQ128E 64K Bytes Block Sector Architecture

| Block | Sector | Address range | |
|-------|--------|---------------|-----------|
| 255 | 4095 | FFF000H | FFFFFFFH |
| | | | |
| | 4080 | FF0000H | FF0FFFFH |
| 254 | 4079 | FEF000H | FEFFFFH |
| | | | |
| | 4064 | FE0000H | FE0FFFFH |
| | | | |
| | | | |
| | | | |
| | | | |
| | | | |
| | | | |
| 2 | 47 | 02F000H | 02FFFFFFH |
| | | | |
| | 32 | 020000H | 020FFFFH |
| 1 | 31 | 01F000H | 01FFFFFFH |
| | | | |
| | 16 | 010000H | 010FFFFH |
| 0 | 15 | 00F000H | 00FFFFFFH |
| | | | |
| | 0 | 000000H | 000FFFFH |

4 DEVICE OPERATIONS

4.1 SPI Mode

Standard SPI

The GD25WQ128E features a serial peripheral interface on 4 signals bus: Serial Clock (SCLK), Chip Select (CS#), Serial Data Input (SI) and Serial Data Output (SO). Both SPI bus mode 0 and 3 are supported. Input data is latched on the rising edge of SCLK and data shifts out on the falling edge of SCLK.

Dual SPI

The GD25WQ128E supports Dual SPI operation when using the “Dual Output Fast Read” and “Dual I/O Fast Read” (3BH and BBH) commands. These commands allow data to be transferred to or from the device at twice the rate of the standard SPI. When using the Dual SPI commands, the SI and SO pins become bidirectional I/O pins: IO0 and IO1.

Quad SPI

The GD25WQ128E supports Quad SPI operation when using the “Quad Output Fast Read”, “Quad I/O Fast Read” (6BH, EBH) commands. These commands allow data to be transferred to or from the device at four times the rate of the standard SPI. When using the Quad SPI commands, the SI and SO pins become bidirectional I/O pins: IO0 and IO1, and the WP# and HOLD#/RESET# pins become bidirectional I/O pins: IO2 and IO3. The Quad SPI commands require the non-volatile Quad Enable bit (QE) in Status Register set to 1.

4.2 HOLD Function

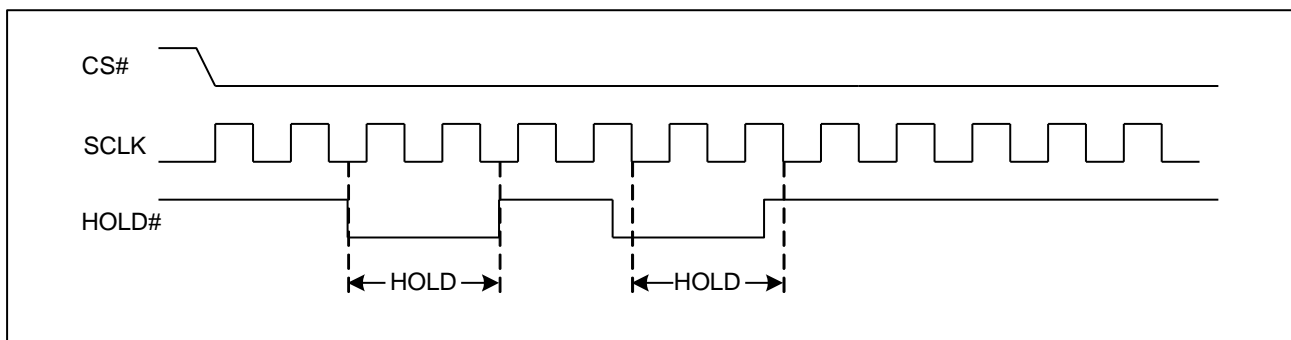
The HOLD/RST bit is used to determine whether HOLD or RESET function should be implemented on the hardware pin for 8-pin packages. When HOLD/RST=0, the HOLD#/RESET# pin acts as HOLD# pin. The HOLD function is available when QE=0. If QE=1, The HOLD function is disabled, and the HOLD#/RESET# pin acts as dedicated data I/O pin.

The HOLD# signal goes low to stop any serial communications with the device, except the operation of write status register, programming, or erasing in progress.

The operation of HOLD needs CS# keep low, and starts on falling edge of the HOLD# signal, with SCLK signal being low. If SCLK is not low, HOLD operation will not start until SCLK is low. The HOLD condition ends on rising edge of HOLD# signal with SCLK being low. If SCLK is not low, HOLD operation will not end until SCLK is low.

The SO is high impedance, both SI and SCLK don't care during the HOLD operation. If CS# is driven high during HOLD operation, it will reset the internal logic of the device. To re-start communication with the chip, the HOLD# must be at high and then CS# must be at low.

Figure 1 HOLD Condition



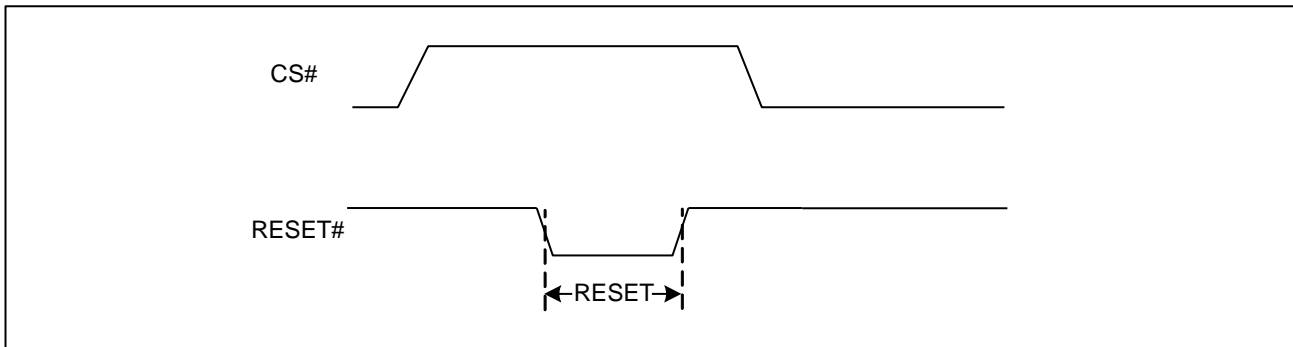


4.3 RESET Function

The HOLD/RST bit is used to determine whether HOLD or RESET function should be implemented on the hardware pin for 8-pin packages. When HOLD/RST=1, the HOLD#/RESET# pin acts as RESET# pin. The hardware RESET function is available when QE=0. If QE=1, The RESET function is disabled, and the HOLD#/RESET# pin acts as dedicated data I/O pin. For 16-pin and 24-ball packages, a dedicated RESET# is used to do the hardware RESET and it is independent of QE bit setting. The RESET# pin goes low for a minimum period of t_{RLRH} ($1\mu s$) will reset the flash. After reset cycle, the flash is at the following states:

- Standby mode
- All the volatile bits will return to the default status as power on.

Figure 2 RESET Condition





5 DATA PROTECTION

The GD25WQ128E provide the following data protection methods:

- ◆ Write Enable (WREN) command: The WREN command is set the Write Enable Latch bit (WEL). The WEL bit will return to reset by the following situation:
 - Power-Up / Software Reset (66H+99H)
 - Write Disable (WRDI)
 - Write Status Register (WRSR)
 - Page Program (PP)
 - Sector Erase (SE) / Block Erase (BE) / Chip Erase (CE)
- ◆ Software Protection Mode: The Block Protect bits (BP4-BP0) define the section of the memory array that can be read but not changed.
- ◆ Hardware Protection Mode: WP# goes low to protect the Block Protect bits (BP4-BP0) and the SRP bits (SRP1 and SRP0).
- ◆ Deep Power-Down Mode: In Deep Power-Down Mode, all commands are ignored except the Release from Deep Power-Down Mode command and Software Reset (66H+99H).
- ◆ Write Inhibit Voltage (VWI): Device would reset automatically when VCC is below a certain threshold VWI.

Table 4. GD25WQ128E Protected area size (CMP=0)

| Status Register Content | | | | | Memory Content | | | |
|-------------------------|-----|-----|-----|-----|----------------|------------------|---------|--------------|
| BP4 | BP3 | BP2 | BP1 | BP0 | Blocks | Addresses | Density | Portion |
| X | X | 0 | 0 | 0 | NONE | NONE | NONE | NONE |
| 0 | 0 | 0 | 0 | 1 | 252 to 255 | FC0000H-FFFFFFH | 256KB | Upper 1/64 |
| 0 | 0 | 0 | 1 | 0 | 248 to 255 | F80000H-FFFFFFH | 512KB | Upper 1/32 |
| 0 | 0 | 0 | 1 | 1 | 240 to 255 | F00000H-FFFFFFH | 1MB | Upper 1/16 |
| 0 | 0 | 1 | 0 | 0 | 224 to 255 | E00000H-FFFFFFH | 2MB | Upper 1/8 |
| 0 | 0 | 1 | 0 | 1 | 192 to 255 | C00000H-FFFFFFH | 4MB | Upper 1/4 |
| 0 | 0 | 1 | 1 | 0 | 128 to 255 | 800000H-FFFFFFH | 8MB | Upper 1/2 |
| 0 | 1 | 0 | 0 | 1 | 0 to 3 | 000000H-03FFFFH | 256KB | Lower 1/64 |
| 0 | 1 | 0 | 1 | 0 | 0 to 7 | 000000H-07FFFFH | 512KB | Lower 1/32 |
| 0 | 1 | 0 | 1 | 1 | 0 to 15 | 000000H-0FFFFFFH | 1MB | Lower 1/16 |
| 0 | 1 | 1 | 0 | 0 | 0 to 31 | 000000H-1FFFFFFH | 2MB | Lower 1/8 |
| 0 | 1 | 1 | 0 | 1 | 0 to 63 | 000000H-3FFFFFFH | 4MB | Lower 1/4 |
| 0 | 1 | 1 | 1 | 0 | 0 to 127 | 000000H-7FFFFFFH | 8MB | Lower 1/2 |
| X | X | 1 | 1 | 1 | 0 to 255 | 000000H-FFFFFFH | 16MB | ALL |
| 1 | 0 | 0 | 0 | 1 | 255 | FFF000H-FFFFFFH | 4KB | Top Block |
| 1 | 0 | 0 | 1 | 0 | 255 | FFE000H-FFFFFFH | 8KB | Top Block |
| 1 | 0 | 0 | 1 | 1 | 255 | FFC000H-FFFFFFH | 16KB | Top Block |
| 1 | 0 | 1 | 0 | X | 255 | FF8000H-FFFFFFH | 32KB | Top Block |
| 1 | 0 | 1 | 1 | 0 | 255 | FF8000H-FFFFFFH | 32KB | Top Block |
| 1 | 1 | 0 | 0 | 1 | 0 | 000000H-000FFFH | 4KB | Bottom Block |
| 1 | 1 | 0 | 1 | 0 | 0 | 000000H-001FFFH | 8KB | Bottom Block |



| | | | | | | | | |
|---|---|---|---|---|---|------------------|------|--------------|
| 1 | 1 | 0 | 1 | 1 | 0 | 000000H-003FFFFH | 16KB | Bottom Block |
| 1 | 1 | 1 | 0 | X | 0 | 000000H-007FFFFH | 32KB | Bottom Block |
| 1 | 1 | 1 | 1 | 0 | 0 | 000000H-007FFFFH | 32KB | Bottom Block |

Table 5. GD25WQ128E Protected area size (CMP=1)

| Status Register Content | | | | | Memory Content | | | |
|-------------------------|-----|-----|-----|-----|----------------|-------------------|---------|-------------|
| BP4 | BP3 | BP2 | BP1 | BP0 | Blocks | Addresses | Density | Portion |
| X | X | 0 | 0 | 0 | 0 to 255 | 000000H-FFFFFFH | ALL | ALL |
| 0 | 0 | 0 | 0 | 1 | 0 to 251 | 000000H-FBFFFFFFH | 16128KB | Lower 63/64 |
| 0 | 0 | 0 | 1 | 0 | 0 to 247 | 000000H-F7FFFFFFH | 15872KB | Lower 31/32 |
| 0 | 0 | 0 | 1 | 1 | 0 to 239 | 000000H-EFFFFFFFH | 15MB | Lower 15/16 |
| 0 | 0 | 1 | 0 | 0 | 0 to 223 | 000000H-DFFFFFFFH | 14MB | Lower 7/8 |
| 0 | 0 | 1 | 0 | 1 | 0 to 191 | 000000H-BFFFFFFFH | 12MB | Lower 3/4 |
| 0 | 0 | 1 | 1 | 0 | 0 to 127 | 000000H-7FFFFFFFH | 8MB | Lower 1/2 |
| 0 | 1 | 0 | 0 | 1 | 4 to 255 | 040000H-FFFFFFFH | 16128KB | Upper 63/64 |
| 0 | 1 | 0 | 1 | 0 | 8 to 255 | 080000H-FFFFFFFH | 15872KB | Upper 31/32 |
| 0 | 1 | 0 | 1 | 1 | 16 to 255 | 100000H-FFFFFFFH | 15MB | Upper 15/16 |
| 0 | 1 | 1 | 0 | 0 | 32 to 255 | 200000H-FFFFFFFH | 14MB | Upper 7/8 |
| 0 | 1 | 1 | 0 | 1 | 64 to 255 | 400000H-FFFFFFFH | 12MB | Upper 3/4 |
| 0 | 1 | 1 | 1 | 0 | 128 to 255 | 800000H-FFFFFFFH | 8MB | Upper 1/2 |
| X | X | 1 | 1 | 1 | NONE | NONE | NONE | NONE |
| 1 | 0 | 0 | 0 | 1 | 0 to 255 | 000000H-FFEFFFFH | 16380KB | L-4095/4096 |
| 1 | 0 | 0 | 1 | 0 | 0 to 255 | 000000H-FFDFFFFH | 16376KB | L-2047/2048 |
| 1 | 0 | 0 | 1 | 1 | 0 to 255 | 000000H-FFBFFFFH | 16368KB | L-1023/1024 |
| 1 | 0 | 1 | 0 | X | 0 to 255 | 000000H-FF7FFFFH | 16352KB | L-511/512 |
| 1 | 0 | 1 | 1 | 0 | 0 to 255 | 000000H-FF7FFFFH | 16352KB | L-511/512 |
| 1 | 1 | 0 | 0 | 1 | 0 to 255 | 001000H-FFFFFFFH | 16380KB | U-4095/4096 |
| 1 | 1 | 0 | 1 | 0 | 0 to 255 | 002000H-FFFFFFFH | 16376KB | U-2047/2048 |
| 1 | 1 | 0 | 1 | 1 | 0 to 255 | 004000H-FFFFFFFH | 16368KB | U-1023/1024 |
| 1 | 1 | 1 | 0 | X | 0 to 255 | 008000H-FFFFFFFH | 16352KB | U-511/512 |
| 1 | 1 | 1 | 1 | 0 | 0 to 255 | 008000H-FFFFFFFH | 16352KB | U-511/512 |



6 STATUS REGISTER

Table 6. Status Register-SR No.1

| No. | Name | Description | Note |
|-----|------|--------------------------------|-----------------------|
| S7 | SRP0 | Status Register Protection Bit | Non-volatile writable |
| S6 | BP4 | Block Protect Bit | Non-volatile writable |
| S5 | BP3 | Block Protect Bit | Non-volatile writable |
| S4 | BP2 | Block Protect Bit | Non-volatile writable |
| S3 | BP1 | Block Protect Bit | Non-volatile writable |
| S2 | BP0 | Block Protect Bit | Non-volatile writable |
| S1 | WEL | Write Enable Latch | Volatile, read only |
| S0 | WIP | Erase/Write In Progress | Volatile, read only |

Table 7. Status Register-SR No.2

| No. | Name | Description | Note |
|-----|------|--------------------------------|-----------------------------|
| S15 | SUS1 | Erase Suspend Bit | Volatile, read only |
| S14 | CMP | Complement Protect Bit | Non-volatile writable |
| S13 | LB3 | Security Register Lock Bit | Non-volatile writable (OTP) |
| S12 | LB2 | Security Register Lock Bit | Non-volatile writable (OTP) |
| S11 | LB1 | Security Register Lock Bit | Non-volatile writable (OTP) |
| S10 | SUS2 | Program Suspend Bit | Volatile, read only |
| S9 | QE | Quad Enable Bit | Non-volatile writable |
| S8 | SRP1 | Status Register Protection Bit | Non-volatile writable |

Table 8. Status Register-SR No.3

| No. | Name | Description | Note |
|-----|----------|---------------------------------|-----------------------|
| S23 | HOLD/RST | HOLD#/RESET# or RESET# Function | Non-volatile writable |
| S22 | DRV1 | Output Driver Strength Bit | Non-volatile writable |
| S21 | DRV0 | Output Driver Strength Bit | Non-volatile writable |
| S20 | Reserved | Reserved | Reserved |
| S19 | Reserved | Reserved | Reserved |
| S18 | Reserved | Reserved | Reserved |
| S17 | Reserved | Reserved | Reserved |
| S16 | DC | Dummy Configuration Bit | Non-volatile writable |

The status and control bits of the Status Register are as follows:

WIP bit

The Write in Progress (WIP) bit indicates whether the memory is busy in program/erase/write status register progress. When WIP bit sets to 1, means the device is busy in program/erase/write status register progress, when WIP bit sets 0, means the device is not in program/erase/write status register progress.



WEL bit

The Write Enable Latch (WEL) bit indicates the status of the internal Write Enable Latch. When set to 1 the internal Write Enable Latch is set, when set to 0 the internal Write Enable Latch is reset and no Write Status Register, Program or Erase command is accepted.

BP4, BP3, BP2, BP1, BP0 bits

The Block Protect (BP4, BP3, BP2, BP1, and BP0) bits are non-volatile. They define the size of the area to be software protected against Program and Erase commands. These bits are written with the Write Status Register (WRSR) command. When the Block Protect (BP4, BP3, BP2, BP1, BP0) bits are set to 1, the relevant memory area (as defined in Table 4&5) becomes protected against Page Program (PP), Sector Erase (SE) and Block Erase (BE) commands. The Block Protect (BP4, BP3, BP2, BP1, and BP0) bits can be written provided that the Hardware Protected mode has not been set. The Chip Erase (CE) command is executed, if the Block Protect (BP2, BP1, and BP0) bits are 0 and CMP=0 or the Block Protect (BP2, BP1, and BP0) bits are 1 and CMP=1.

SRP1, SRP0 bits

The Status Register Protect (SRP1 and SRP0) bits are non-volatile Read/Write bits in the status register. The SRP bits control the method of write protection: software protection, hardware protection, power supply lock-down or one time programmable protection.

| SRP1 | SRP0 | #WP | Status Register | Description |
|------|------|-----|--|--|
| 0 | 0 | X | Software Protected | The Status Register can be written to after a Write Enable command, WEL=1.(Default) |
| 0 | 1 | 0 | Hardware Protected | WP#=0, the Status Register locked and cannot be written to. |
| 0 | 1 | 1 | Hardware Unprotected | WP#=1, the Status Register is unlocked and can be written to after a Write Enable command, WEL=1. |
| 1 | 0 | X | Power Supply Lock-Down ⁽¹⁾⁽²⁾ | Status Register is protected and cannot be written to again until the next Power-Down, Power-Up cycle. |
| 1 | 1 | X | One Time Program ⁽²⁾ | Status Register is permanently protected and cannot be written to. |

NOTE:

1. When SRP1, SRP0= (1, 0), a Power-Down, Power-Up cycle will change SRP1, SRP0 to (0, 0) state.
2. This feature is available on special order. Please contact GigaDevice for details.

QE bit

The Quad Enable (QE) bit is a non-volatile Read/Write bit in the Status Register that allows Quad operation. When the QE bit is set to 0 (Default) the WP# pin and HOLD#/RESET# pin are enable. When the QE pin is set to 1, the Quad IO2 and IO3 pins are enabled. (It is best to set the QE bit to 0 to avoid short issues if the WP# or HOLD#/RESET# pin is tied directly to the power supply or ground.)

LB3, LB2, LB1 bits

The LB3, LB2 and LB1 bits are non-volatile One Time Program (OTP) bits in Status Register (S13, S12 and S11) that provide the write protect control and status to the Security Registers. The default state of LB3, LB2 and LB1 bits are 0, the security registers are unlocked. The LB3, LB2 and LB1 bits can be set to 1 individually using the Write Register instruction.



The LB3, LB2 and LB1 bits are One Time Programmable, once they are set to 1, the Security Registers will become read-only permanently.

CMP bit

The CMP bit is a non-volatile Read/Write bit in the Status Register (S14). It is used in conjunction with the BP4-BP0 bits to provide more flexibility for the array protection. Please see the Status registers Memory Protection table for details. The default setting is CMP=0.

SUS1, SUS2 bits

The SUS1 and SUS2 bits are read only bits in the status register (S15 and S10) that are set to 1 after executing an Program/Erase Suspend (75H) command (The Erase Suspend will set the SUS1 bit to 1, and the Program Suspend will set the SUS2 bit to 1). The SUS1 and SUS2 bits are cleared to 0 by Program/Erase Resume (7AH) command, software reset (66H+99H) command, as well as a power-down, power-up cycle.

DC bit

The Dummy Configuration (DC) bit is non-volatile, which selects the number of dummy cycles between the end of address and the start of read data output. Dummy cycles provide additional latency that is needed to complete the initial read access of the flash array before data can be returned to the host system. Some read commands require additional dummy cycles as the SCLK frequency increases.

The following dummy cycle tables provide different dummy cycle settings that are configured.

| Command | DC bit | Numbers of Dummy Cycles | Freq.(MHz) |
|---------|-------------|-------------------------|------------|
| BBH | 0 (default) | 4 | 66 |
| | 1 | 8 | 104R |
| EBH | 0 (default) | 6 | 66 |
| | 1 | 10 | 104R |

Note:

1. "R" means VCC range=2.3V~3.6V.

Reserved bit

It is recommended to set the value of the reserved bit as "0".

DRV1, DRV0 bits

The DRV1 and DRV0 bits are used to determine the output driver strength for the Read operations.

Table 9. Driver Strength for Read Operations

| DRV1, DRV0 | Driver Strength |
|------------|-----------------|
| 00 | 100% |
| 01 | 75% (default) |
| 10 | 50% |
| 11 | 25% |

HOLD/RST bit

The HOLD/RST bit is used to determine whether HOLD# or RESET# function should be implemented on the hardware pin for 8-pin packages. When HOLD/RST=0, the pin acts as HOLD#, When the HOLD/RST=1, the pin acts as RESET#.



However, the HOLD# or RESET# function are only available when QE=0, If QE=1, The HOLD# and RESET# functions are disabled, the pin acts as dedicated data I/O pin.



7 COMMAND DESCRIPTIONS

All commands, addresses and data are shifted in and out of the device, beginning with the most significant bit on the first rising edge of SCLK after CS# is driven low. Then, the one-byte command code must be shifted in to the device, with most significant bit first on SI, and each bit is latched on the rising edges of SCLK.

Every command sequence starts with a one-byte command code. Depending on the command, this might be followed by address bytes, or by data bytes, or by both or none. CS# must be driven high after the last bit of the command sequence has been completed. For the command of Read, Fast Read, Read Status Register or Release from Deep Power-Down, and Read Device ID, the shifted-in command sequence is followed by a data-out sequence. All read instruction can be completed after any bit of the data-out sequence is being shifted out, and then CS# must be driven high to return to deselected status.

For the command of Page Program, Sector Erase, Block Erase, Chip Erase, Write Status Register, Write Enable, Write Disable or Deep Power-Down command, CS# must be driven high exactly at a byte boundary, otherwise the command is rejected, and is not executed. That is CS# must be driven high when the number of clock pulses after CS# being driven low is an exact multiple of eight. For Page Program, if at any time the input byte is not a full byte, nothing will happen and WEL will not be reset.

Table 10. Commands

| Command Name | Byte 1 | Byte 2 | Byte 3 | Byte 4 | Byte 5 | Byte 6 | Byte 7 | Byte 8 | Byte 9 |
|--------------------------|--------|------------------------|-----------------------|----------------------|----------------------|------------------------|---------|------------------------|---------|
| Write Enable | 06H | | | | | | | | |
| Write Disable | 04H | | | | | | | | |
| Read Status Register-1 | 05H | (S7-S0) | (cont.) | | | | | | |
| Read Status Register-2 | 35H | (S15-S8) | (cont.) | | | | | | |
| Read Status Register-3 | 15H | (S23-S16) | (cont.) | | | | | | |
| Write Status Register-1 | 01H | S7-S0 | | | | | | | |
| Write Status Register-2 | 31H | S15-S8 | | | | | | | |
| Write Status Register-3 | 11H | S23-S16 | | | | | | | |
| Volatile SR write Enable | 50H | | | | | | | | |
| Read Data | 03H | A23-A16 | A15-A8 | A7-A0 | (D7-D0) | (cont.) | | | |
| Fast Read | 0BH | A23-A16 | A15-A8 | A7-A0 | dummy | (D7-D0) | (cont.) | | |
| Dual Output Fast Read | 3BH | A23-A16 | A15-A8 | A7-A0 | dummy | (D7-D0) ⁽¹⁾ | (cont.) | | |
| Quad Output Fast Read | 6BH | A23-A16 | A15-A8 | A7-A0 | dummy | (D7-D0) ⁽²⁾ | (cont.) | | |
| Dual I/O Fast Read | BBH | A23-A16 ⁽³⁾ | A15-A8 ⁽³⁾ | A7-A0 ⁽³⁾ | M7-M0 ⁽⁴⁾ | (D7-D0) ⁽¹⁾ | (cont.) | | |
| Quad I/O Fast Read | EBH | A23-A16 ⁽⁵⁾ | A15-A8 ⁽⁵⁾ | A7-A0 ⁽⁵⁾ | M7-M0 ⁽⁶⁾ | dummy | dummy | (D7-D0) ⁽²⁾ | (cont.) |
| Set Burst with Wrap | 77H | dummy ⁽⁷⁾ | dummy ⁽⁷⁾ | dummy ⁽⁷⁾ | W7-W0 ⁽⁷⁾ | | | | |



| | | | | | | | | | |
|---|---------|-----------------|------------|-----------|----------------------|-----------------|---------|--|--|
| Page Program | 02H | A23-A16 | A15-A8 | A7-A0 | D7-D0 | Next Byte | | | |
| Quad Page Program | 32H | A23-A16 | A15-A8 | A7-A0 | D7-D0 ⁽⁸⁾ | Next Byte | | | |
| Sector Erase | 20H | A23-A16 | A15-A8 | A7-A0 | | | | | |
| Block Erase (32K) | 52H | A23-A16 | A15-A8 | A7-A0 | | | | | |
| Block Erase (64K) | D8H | A23-A16 | A15-A8 | A7-A0 | | | | | |
| Chip Erase | 60H/C7H | | | | | | | | |
| Read Manufacturer/ Device ID | 90H | 00H | 00H | 00H | (MID7- MID0) | (ID7-ID0) | (cont.) | | |
| Read Identification | 9FH | (MID7- MID0) | (ID15-ID8) | (ID7-ID0) | (cont.) | | | | |
| Read Unique ID | 4BH | 00H | 00H | 00H | dummy | (UID7- UID0) | (cont.) | | |
| Erase Security Registers ⁽⁹⁾ | 44H | A23-A16 | A15-A8 | A7-A0 | | | | | |
| Program Security Registers ⁽⁹⁾ | 42H | A23-A16 | A15-A8 | A7-A0 | D7-D0 | Next Byte | | | |
| Read Security Registers ⁽⁹⁾ | 48H | A23-A16 | A15-A8 | A7-A0 | dummy | (D7-D0) | (cont.) | | |
| Enable Reset | 66H | | | | | | | | |
| Reset | 99H | | | | | | | | |
| Program/Erase Suspend | 75H | | | | | | | | |
| Program/Erase Resume | 7AH | | | | | | | | |
| Deep Power-Down | B9H | | | | | | | | |
| Release From Deep Power-Down | ABH | | | | | | | | |
| Release From Deep Power-Down and Read Device ID | ABH | dummy | dummy | dummy | (ID7-ID0) | (cont.) | | | |
| Read Serial Flash Discoverable Parameter | 5AH | A23-A16 | A15-A8 | A7-A0 | dummy | (D7-D0) | (cont.) | | |

Note:

1. Dual Output data
IO0 = (D6, D4, D2, D0)
IO1 = (D7, D5, D3, D1)
2. Quad Output Data
IO0 = (D4, D0, ...)
IO1 = (D5, D1, ...)
IO2 = (D6, D2, ...)
IO3 = (D7, D3, ...)



3. Dual Input Address

IO0 = A22, A20, A18, A16, A14, A12, A10, A8 A6, A4, A2, A0

IO1 = A23, A21, A19, A17, A15, A13, A11, A9 A7, A5, A3, A1

4. Dual Input Mode bit

IO0 = M6, M4, M2, M0

IO1 = M7, M5, M3, M1

5. Quad Input Address

IO0 = A20, A16, A12, A8, A4, A0

IO1 = A21, A17, A13, A9, A5, A1

IO2 = A22, A18, A14, A10, A6, A2

IO3 = A23, A19, A15, A11, A7, A3

6. Quad Input Mode bit

IO0 = M4, M0

IO1 = M5, M1

IO2 = M6, M2

IO3 = M7, M3

7. Dummy bits and Wrap Bits

IO0 = (x, x, x, x, x, x, W4, x)

IO1 = (x, x, x, x, x, x, W5, x)

IO2 = (x, x, x, x, x, x, W6, x)

IO3 = (x, x, x, x, x, x, x, x)

8. Quad Output Data

IO0 = D4, D0, ...

IO1 = D5, D1, ...

IO2 = D6, D2, ...

IO3 = D7, D3, ...

9. Security Registers Address

Security Register1: A23-A16=00H, A15-A12=1H, A11-A10 = 00b, A9-A0= Byte Address;

Security Register2: A23-A16=00H, A15-A12=2H, A11-A10 = 00b, A9-A0= Byte Address;

Security Register3: A23-A16=00H, A15-A12=3H, A11-A10 = 00b, A9-A0= Byte Address;

TABLE OF ID DEFINITIONS

GD25WQ128E

| Operation Code | MID7-MID0 | ID15-ID8 | ID7-ID0 |
|----------------|-----------|----------|---------|
| 9FH | C8 | 65 | 18 |
| 90H | C8 | | 17 |
| ABH | | | 17 |

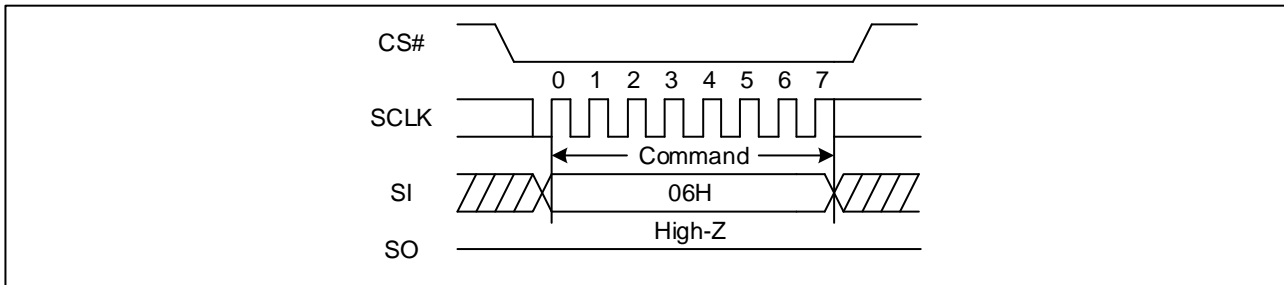


7.1 Write Enable (WREN) (06H)

The Write Enable (WREN) command is for setting the Write Enable Latch (WEL) bit. The Write Enable Latch (WEL) bit must be set prior to every Page Program (PP), Quad Page Program (QPP), Sector Erase (SE), Block Erase (BE), Chip Erase (CE), Write Status Register (WRSR) and Erase/Program Security Registers command.

The Write Enable (WREN) command sequence: CS# goes low → sending the Write Enable command → CS# goes high.

Figure 3. Write Enable Sequence Diagram



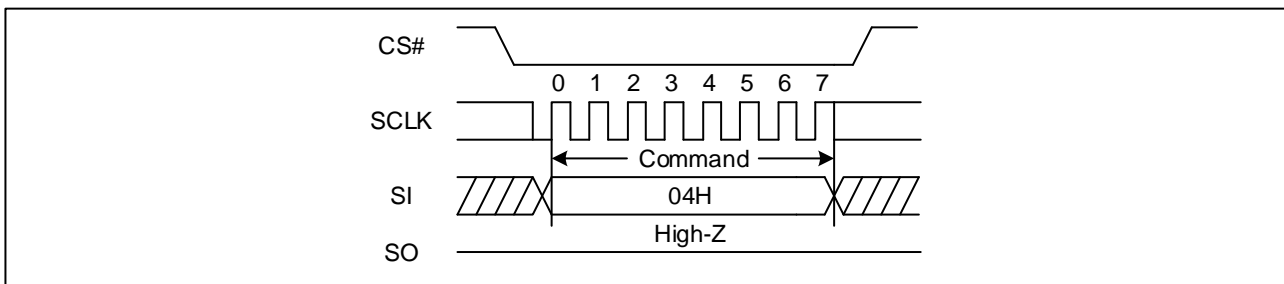
7.2 Write Disable (WRDI) (04H)

The Write Disable command is for resetting the Write Enable Latch (WEL) bit. The Write Enable Latch (WEL) bit may be set to 0 by issuing the Write Disable (WRDI) command to disable Page Program (PP), Quad Page Program (QPP), Sector Erase (SE), Block Erase (BE), Chip Erase (CE), Write Status Register (WRSR), that require WEL be set to 1 for execution. The WRDI command can be used by the user to protect memory areas against inadvertent writes that can possibly corrupt the contents of the memory. The WRDI command is ignored during an embedded operation while WIP bit =1.

The WEL bit is reset by following condition: Write Disable command (WRDI), Power-up, and upon completion of the Write Status Register, Page Program, Sector Erase, Block Erase and Chip Erase commands.

The Write Disable command sequence: CS# goes low → Sending the Write Disable command → CS# goes high.

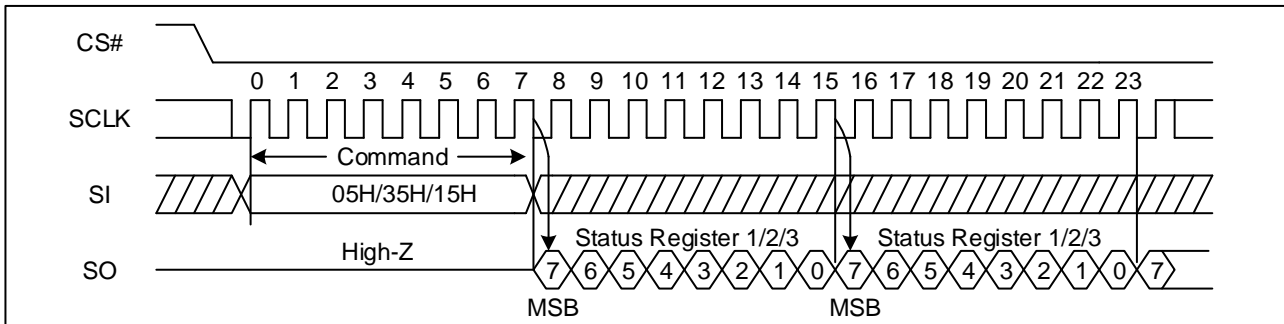
Figure 4. Write Disable Sequence Diagram



7.3 Read Status Register (RDSR) (05H/35H/15H)

The Read Status Register (RDSR) command is for reading the Status Register. The Status Register may be read at any time, even while a Program, Erase or Write Status Register cycle is in progress. When one of these cycles is in progress, it is recommended to check the Write in Progress (WIP) bit before sending a new command to the device. It is also possible to read the Status Register continuously. For command code of “05H” / “35H” / “15H”, the SO will output Status Register bits S7~S0 / S15~S8 / S23~S16.

Figure 5. Read Status Register Sequence Diagram



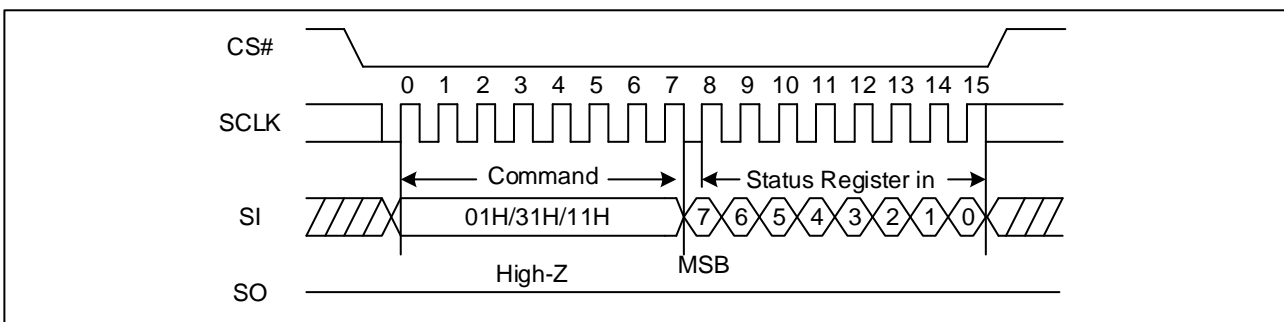
7.4 Write Status Register (WRSR) (01H/31H/11H)

The Write Status Register (WRSR) command allows new values to be written to the Status Register. Before it can be accepted, a Write Enable (WREN) command must previously have been executed. After the Write Enable (WREN) command has been decoded and executed, the device sets the Write Enable Latch (WEL).

The Write Status Register (WRSR) command has no effect on S15, S10, S1 and S0 of the Status Register. For command code of “01H” / “31H” / “11H”, the Status Register bits S7~S0 / S15~S8 / S23~S16 would be written. CS# must be driven high after the eighth bit of the data byte has been latched in. Otherwise, the Write Status Register (WRSR) command is not executed. As soon as CS# is driven high, the self-timed Write Status Register cycle (whose duration is t_w) is initiated. While the Write Status Register cycle is in progress, the Status Register may still be read to check the value of the Write In Progress (WIP) bit. The Write In Progress (WIP) bit is 1 during the self-timed Write Status Register cycle, and is 0 when it is completed. When the cycle is completed, the Write Enable Latch (WEL) is reset.

The Write Status Register (WRSR) command allows the user to change the values of the Block Protect (BP4, BP3, BP2, BP1, and BP0) bits, to define the size of the area that is to be treated as read-only. The Write Status Register (WRSR) command also allows the user to set or reset the Status Register Protect (SRP1 and SRP0) bits in accordance with the Write Protect (WP#) signal. The Status Register Protect (SRP1 and SRP0) bits and Write Protect (WP#) signal allow the device to be put in the Hardware Protected Mode. The Write Status Register (WRSR) command is not executed once the Hardware Protected Mode is entered.

Figure 6. Write Status Register Sequence Diagram



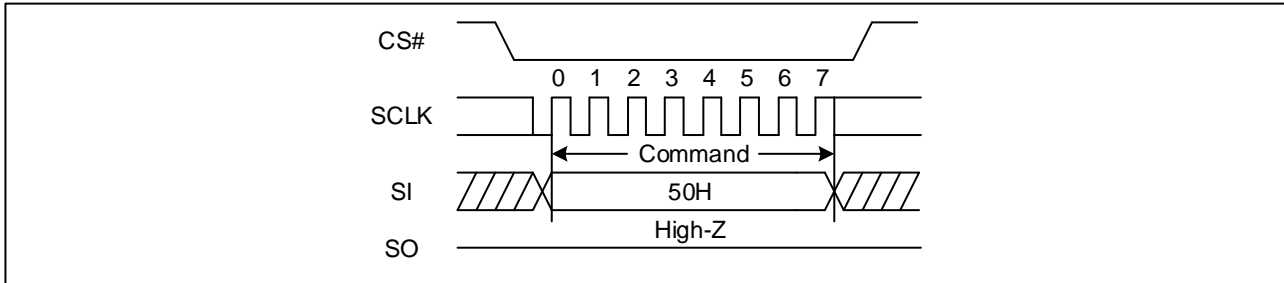
7.5 Write Enable for Volatile Status Register (50H)

The non-volatile Status Register bits can also be written to as volatile bits. This gives more flexibility to change the system configuration and memory protection schemes quickly without waiting for the typical non-volatile bit write cycles or affecting the endurance of the Status Register non-volatile bits. The Write Enable for Volatile Status Register command must be issued prior to a Write Status Register command and any other commands can't be inserted between them. Otherwise, Write Enable for Volatile Status Register will be cleared. The Write Enable for Volatile Status Register command will not set



the Write Enable Latch bit, it is only valid for the Write Status Register command to change the volatile Status Register bit values.

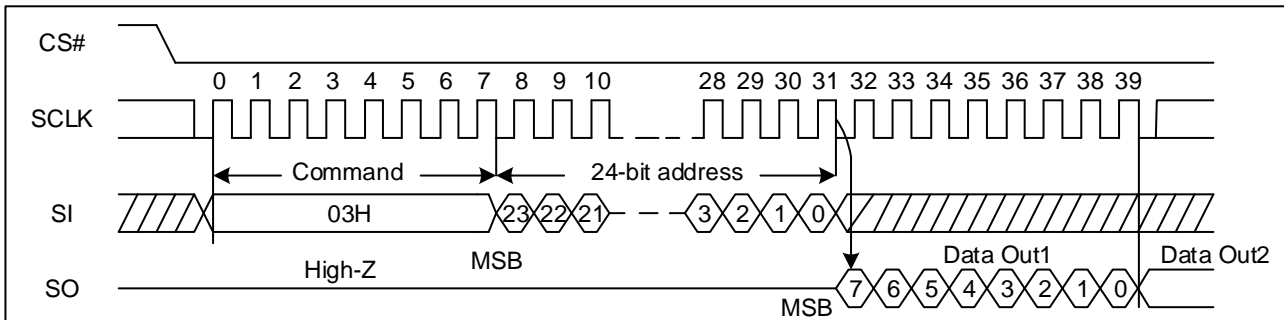
Figure 7. Write Enable for Volatile Status Register Sequence Diagram



7.6 Read Data Bytes (READ) (03H)

The Read Data Bytes (READ) command is followed by a 3-byte address (A23-A0), and each bit is latched-in on the rising edge of SCLK. Then the memory content, at that address, is shifted out on SO, and each bit is shifted out, at a Max frequency f_R , on the falling edge of SCLK. The first byte addressed can be at any location. The address is automatically incremented to the next higher address after each byte of data is shifted out. The whole memory can, therefore, be read with a single Read Data Bytes (READ) command. Any Read Data Bytes (READ) command, while an Erase, Program or Write cycle is in progress, is rejected without having any effects on the cycle that is in progress.

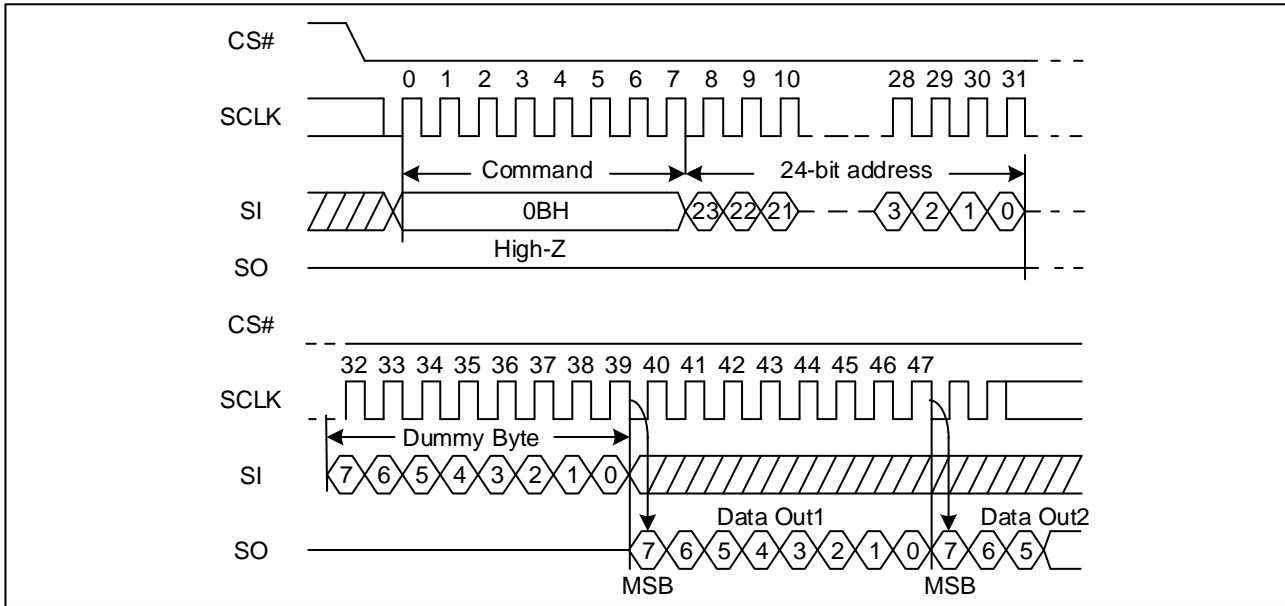
Figure 8. Read Data Bytes Sequence Diagram



7.7 Read Data Bytes at Higher Speed (Fast Read) (0BH)

The Read Data Bytes at Higher Speed (Fast Read) command is for quickly reading data out. It is followed by a 3-byte address (A23-A0) and a dummy byte, and each bit is latched-in on the rising edge of SCLK. Then the memory content, at that address, is shifted out on SO, and each bit is shifted out, at a Max frequency f_c , on the falling edge of SCLK. The first byte address can be at any location. The address is automatically incremented to the next higher address after each byte of data is shifted out.

Figure 9. Read Data Bytes at Higher Speed Sequence Diagram

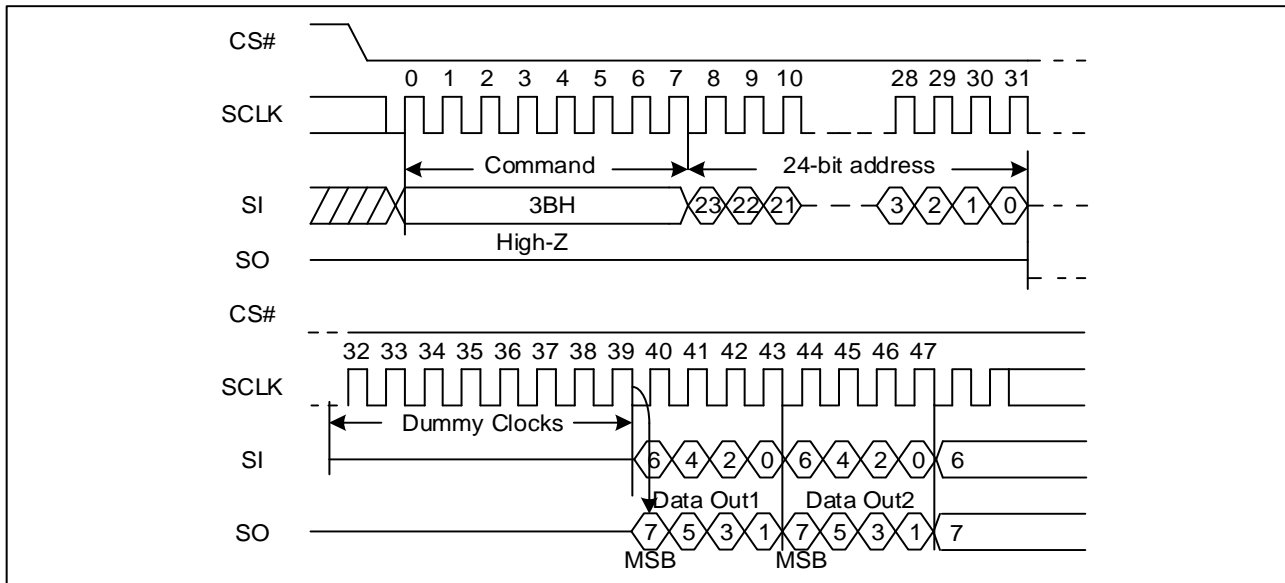


7.8 Dual Output Fast Read (3BH)

The Dual Output Fast Read command is followed by 3-byte address (A23-A0) and a dummy byte, and each bit is latched in on the rising edge of SCLK, then the memory contents are shifted out 2-bit per clock cycle from SI and SO.

The first byte addressed can be at any location. The address is automatically incremented to the next higher address after each byte of data is shifted out.

Figure 10. Dual Output Fast Read Sequence Diagram

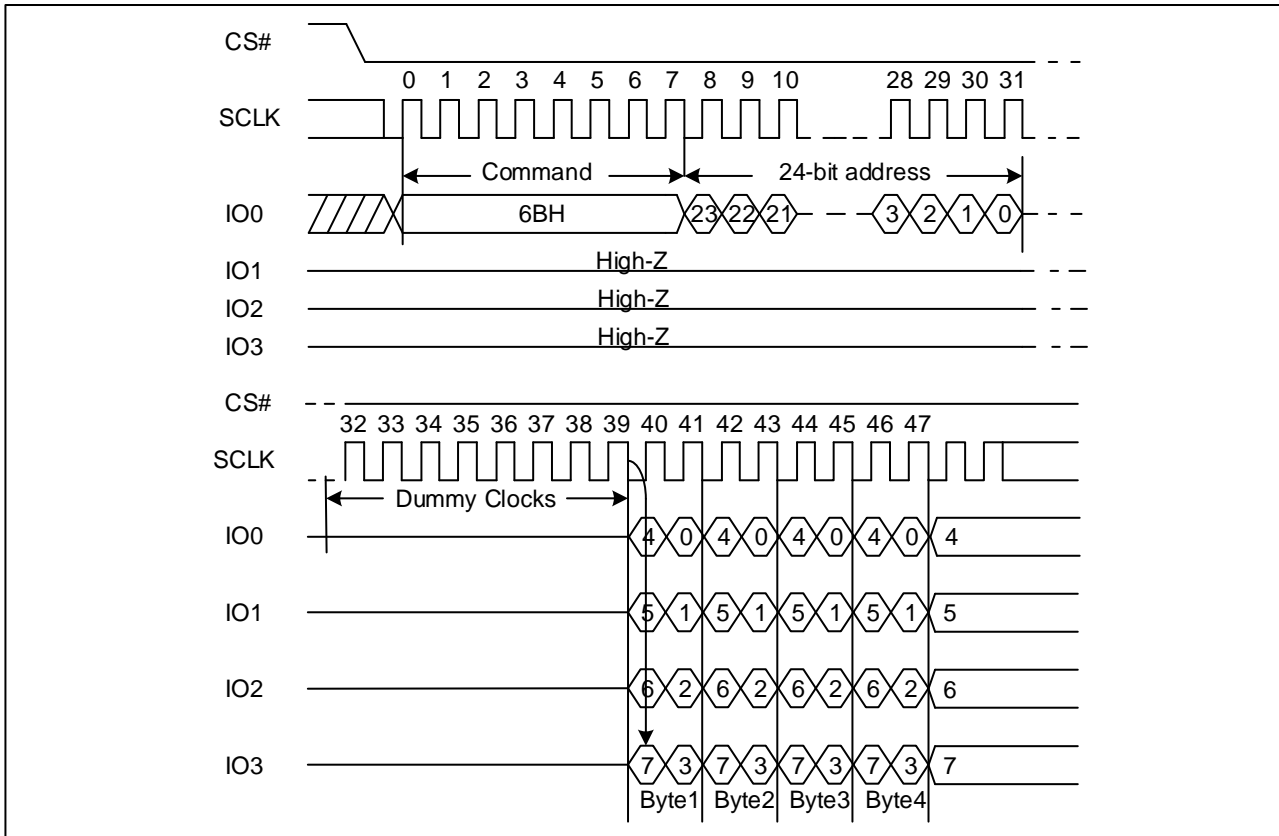




7.9 Quad Output Fast Read (6BH)

The Quad Output Fast Read command is followed by 3-byte address (A23-A0) and a dummy byte, and each bit is latched in on the rising edge of SCLK, then the memory contents are shifted out 4-bit per clock cycle from IO3, IO2, IO1 and IO0. The first byte addressed can be at any location. The address is automatically incremented to the next higher address after each byte of data is shifted out. The Quad Enable bit (QE) of Status Register (S9) must be set to enable for the Quad Output Fast Read command.

Figure 11. Quad Output Fast Read Sequence Diagram



7.10 Dual I/O Fast Read (BBH)

The Dual I/O Fast Read command is similar to the Dual Output Fast Read command but with the capability to input the 3-byte address (A23-A0) and a “Continuous Read Mode” byte 2-bit per clock by SI and SO, and each bit is latched in on the rising edge of SCLK, then the memory contents are shifted out 2-bit per clock cycle from SI and SO. The first byte addressed can be at any location. The address is automatically incremented to the next higher address after each byte of data is shifted out.

Dual I/O Fast Read with “Continuous Read Mode”

The Dual I/O Fast Read command can further reduce command overhead through setting the “Continuous Read Mode” bits (M7-0) after the input 3-byte address (A23-A0). If the “Continuous Read Mode” bits (M5-4) = (1, 0), then the next Dual I/O Fast Read command (after CS# is raised and then lowered) does not require the BBH command code. If the “Continuous Read Mode” bits (M5-4) ≠ (1, 0), the next command requires the command code, thus returning to normal operation. A “Continuous Read Mode” Reset command can be used to reset (M7-0) before issuing normal command.



Figure 12. Dual I/O Fast Read Sequence Diagram ((M5-4) ≠ (1, 0))

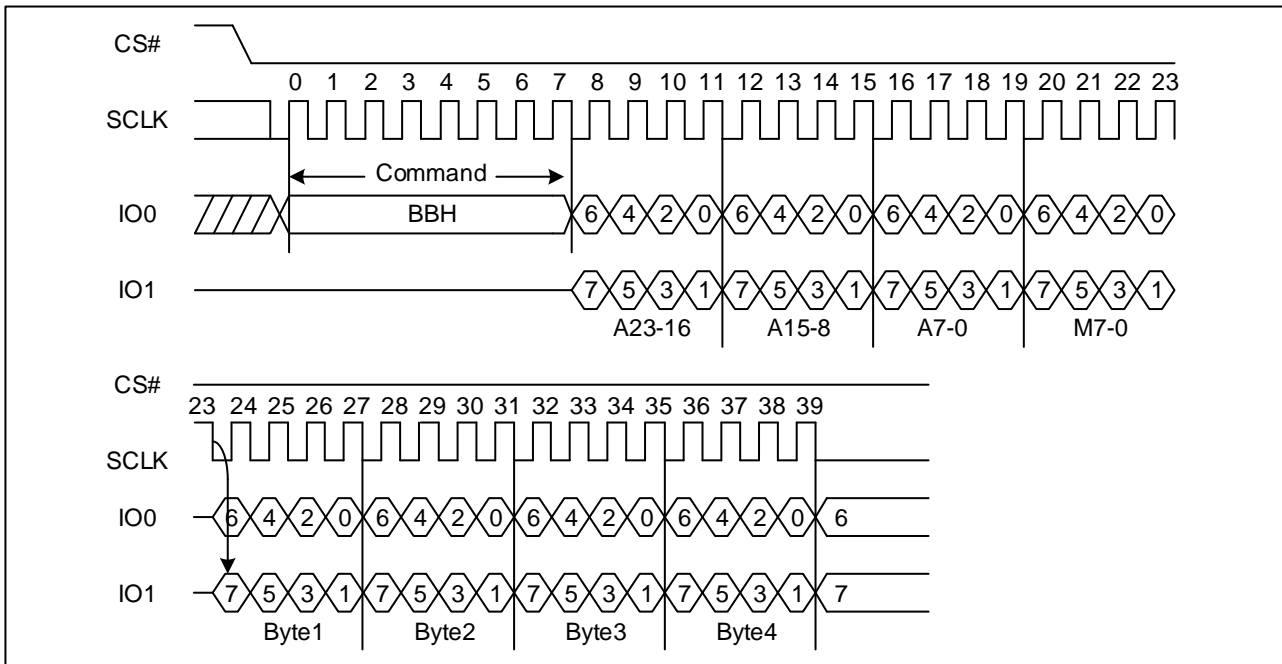
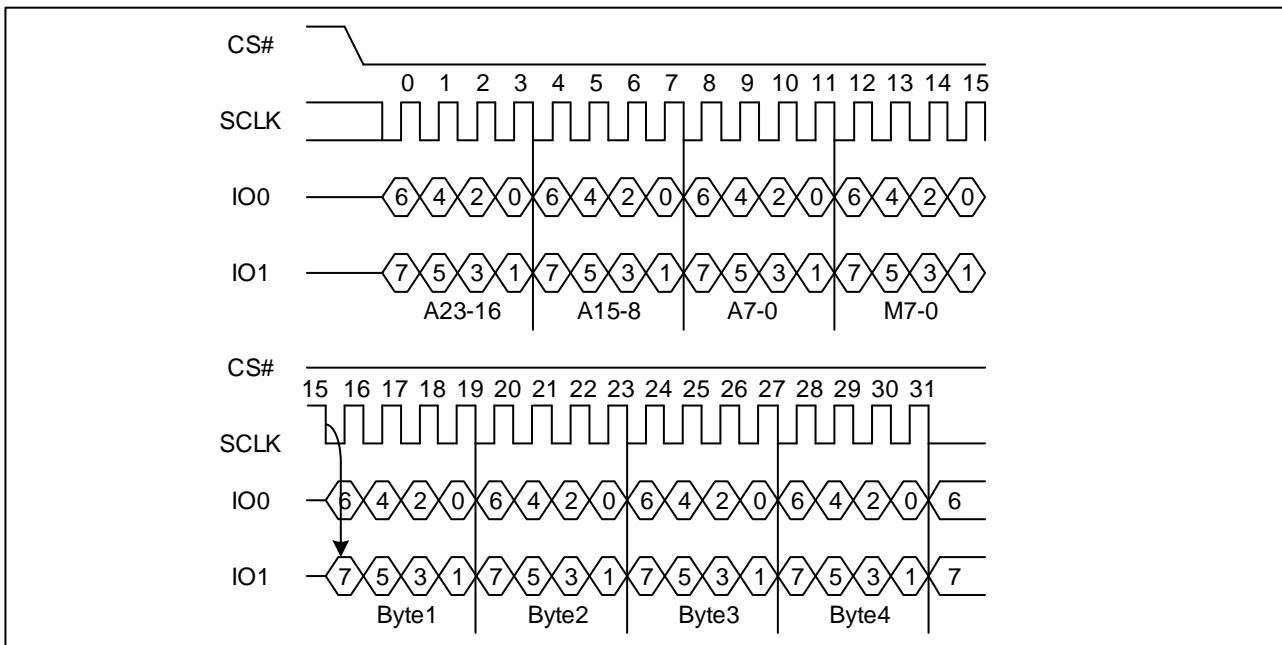


Figure 13. Dual I/O Fast Read Sequence Diagram ((M5-4) = (1, 0))



7.11 Quad I/O Fast Read (EBH)

The Quad I/O Fast Read command is similar to the Dual I/O Fast Read command but with the capability to input the 3-byte address (A23-A0) and a “Continuous Read Mode” byte and 4-dummy clock 4-bit per clock by IO0, IO1, IO3, IO4, and each bit is latched in on the rising edge of SCLK, then the memory contents are shifted out 4-bit per clock cycle from IO0, IO1, IO2, IO3. The first byte addressed can be at any location. The address is automatically incremented to the next higher address after each byte of data is shifted out. The Quad Enable bit (QE) of Status Register (S9) must be set to enable for the Quad I/O Fast read command.



Quad I/O Fast Read with “Continuous Read Mode”

The Quad I/O Fast Read command can further reduce command overhead through setting the “Continuous Read Mode” bits (M7-0) after the input 3-byte address (A23-A0). If the “Continuous Read Mode” bits (M5-4) = (1, 0), then the next Quad I/O Fast Read command (after CS# is raised and then lowered) does not require the EBH command code. If the “Continuous Read Mode” bits (M5-4) ≠ (1, 0), the next command requires the command code, thus returning to normal operation. A “Continuous Read Mode” Reset command can be used to reset (M7-0) before issuing normal command.

Figure 14. Quad I/O Fast Read Sequence Diagram ((M5-4) ≠ (1, 0))

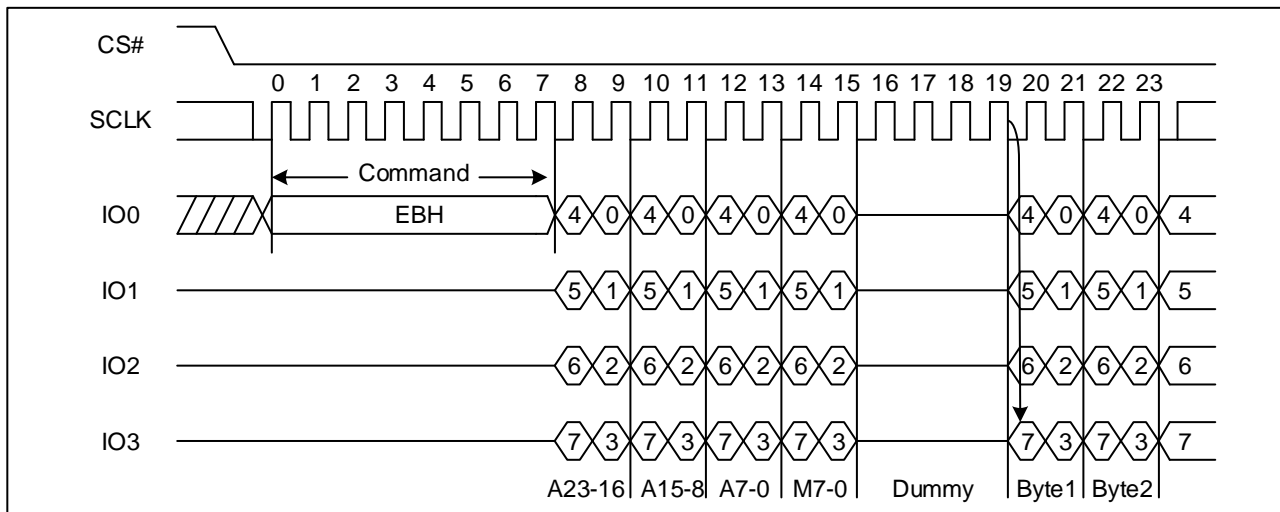
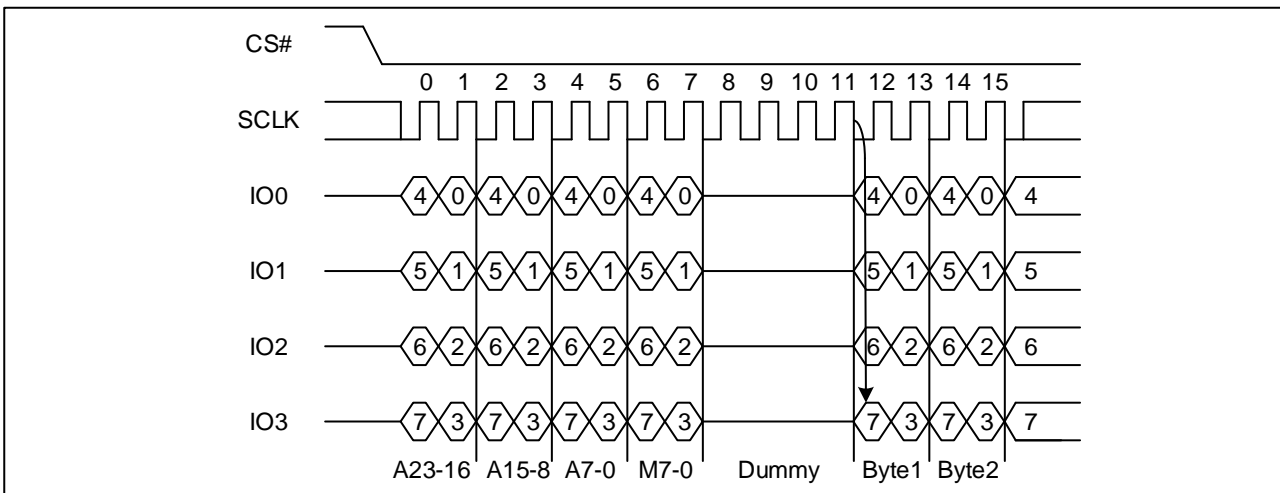


Figure 15. Quad I/O Fast Read Sequence Diagram ((M5-4) = (1, 0))



Quad I/O Fast Read with “8/16/32/64-Byte Wrap Around” in Standard SPI mode

The Quad I/O Fast Read command can be used to access a specific portion within a page by issuing “Set Burst with Wrap” (77H) commands prior to EBH. The “Set Burst with Wrap” (77H) command can either enable or disable the “Wrap Around” feature for the following EBH commands. When “Wrap Around” is enabled, the data being accessed can be limited to either an 8/16/32/64-byte section of a 256-byte page. The output data starts at the initial address specified in the command, once it reaches the ending boundary of the 8/16/32/64-byte section, the output will wrap around the beginning boundary automatically until CS# is pulled high to terminate the command.

The Burst with Wrap feature allows applications that use cache to quickly fetch a critical address and then fill the cache afterwards within a fixed length (8/16/32/64-byte) of data without issuing multiple read commands. The “Set Burst with Wrap”



command allows three “Wrap Bits” W6-W4 to be set. The W4 bit is used to enable or disable the “Wrap Around” operation while W6-W5 is used to specify the length of the wrap around section within a page.

7.12 Set Burst with Wrap (77H)

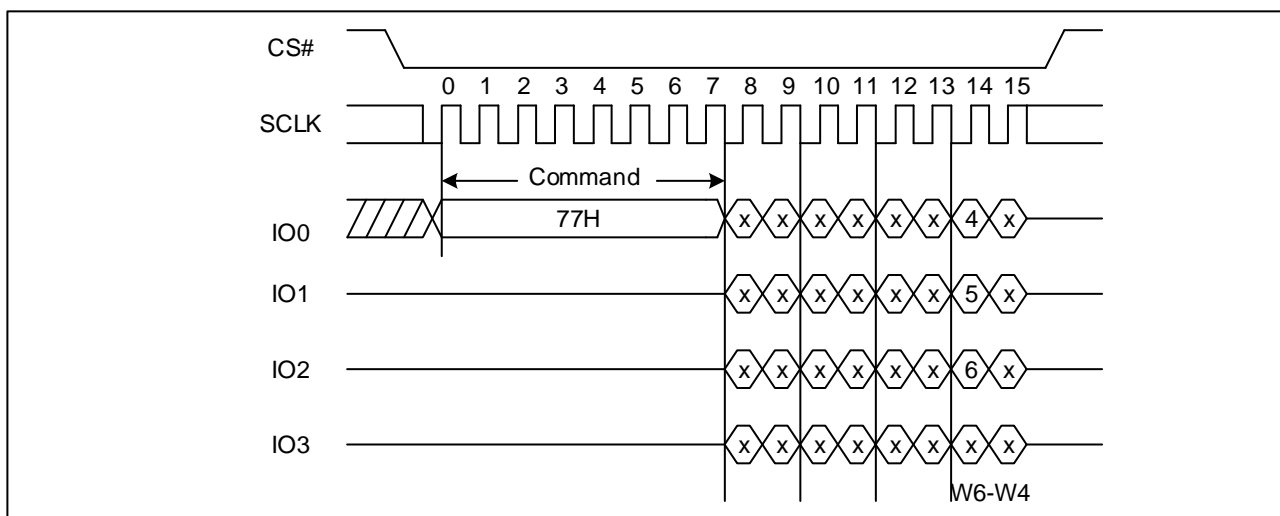
The Set Burst with Wrap command is used in conjunction with “Quad I/O Fast Read” command to access a fixed length of 8/16/32/64-byte section within a 256-byte page, in standard SPI mode.

The Set Burst with Wrap command sequence: CS# goes low → Send Set Burst with Wrap command → Send 24 dummy bits → Send 8 bits “Wrap bits” → CS# goes high.

| W6,W5 | W4=0 | | W4=1 (default) | |
|-------|-------------|-------------|----------------|-------------|
| | Wrap Around | Wrap Length | Wrap Around | Wrap Length |
| 0, 0 | Yes | 8-byte | No | N/A |
| 0, 1 | Yes | 16-byte | No | N/A |
| 1, 0 | Yes | 32-byte | No | N/A |
| 1, 1 | Yes | 64-byte | No | N/A |

If the W6-W4 bits are set by the Set Burst with Wrap command, all the following “Quad I/O Fast Read” command will use the W6-W4 setting to access the 8/16/32/64-byte section within any page. To exit the “Wrap Around” function and return to normal read operation, another Set Burst with Wrap command should be issued to set W4=1.

Figure 16. Set Burst with Wrap Sequence Diagram



7.13 Page Program (PP) (02H)

The Page Program (PP) command is for programming the memory. A Write Enable (WREN) command must previously have been executed to set the Write Enable Latch (WEL) bit before sending the Page Program command.

The Page Program (PP) command is entered by driving CS# Low, followed by the command code, three address bytes and at least one data byte on SI. If the 8 least significant address bits (A7-A0) are not all zero, all transmitted data that goes beyond the end of the current page are programmed from the start address of the same page (from the address whose 8 least significant bits (A7-A0) are all zero). CS# must be driven low for the entire duration of the sequence. The Page Program command sequence: CS# goes low → sending Page Program command → 3-byte address on SI → at least 1 byte data on SI → CS# goes high. If more than 256 bytes are sent to the device, previously latched data are discarded and the last 256 data bytes are guaranteed to be programmed correctly within the same page. If less than 256 data bytes are sent to device, they are correctly programmed at the requested addresses without having any effects on the other bytes of the same page.

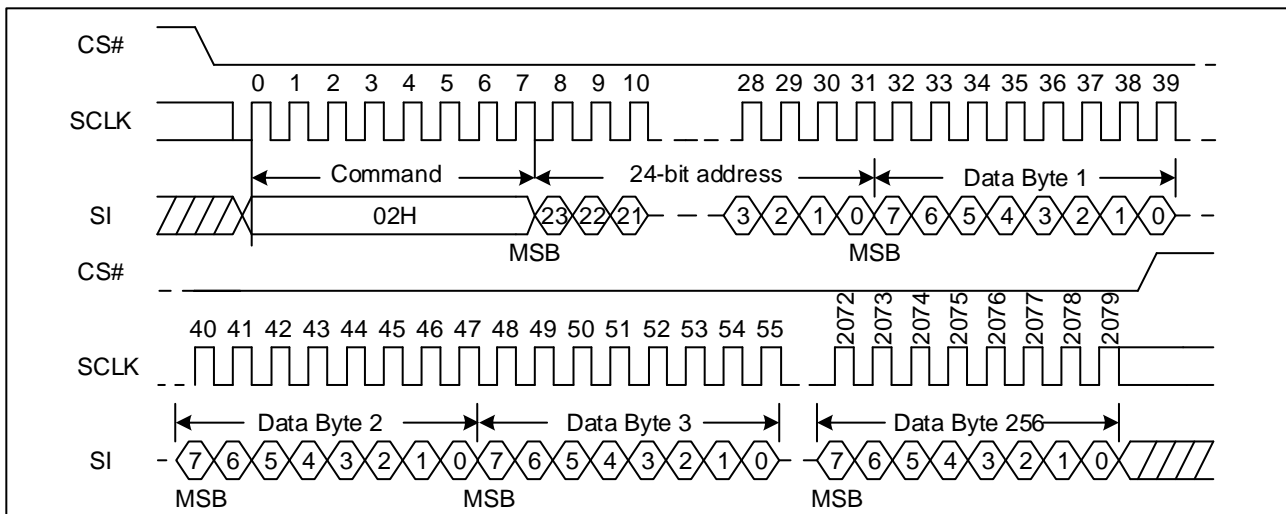


CS# must be driven high after the eighth bit of the last data byte has been latched in; otherwise the Page Program (PP) command is not executed.

As soon as CS# is driven high, the self-timed Page Program cycle (whose duration is t_{PP}) is initiated. While the Page Program cycle is in progress, the Status Register may be read to check the value of the Write in Progress (WIP) bit. The Write in Progress (WIP) bit is 1 during the self-timed Page Program cycle, and is 0 when it is completed. At some unspecified time before the cycle is completed, the Write Enable Latch (WEL) bit is reset.

A Page Program (PP) command applied to a page which is protected by the Block Protect (BP4, BP3, BP2, BP1, and BP0) is not executed.

Figure 17. Page Program Sequence Diagram



7.14 Quad Page Program (32H)

The Quad Page Program command is for programming the memory using four pins: IO0, IO1, IO2, and IO3. To use Quad Page Program the Quad enable in status register Bit9 must be set ($QE=1$). A Write Enable (WREN) command must previously have been executed to set the Write Enable Latch (WEL) bit before sending the Page Program command. The quad Page Program command is entered by driving CS# Low, followed by the command code (32H), three address bytes and at least one data byte on IO pins.

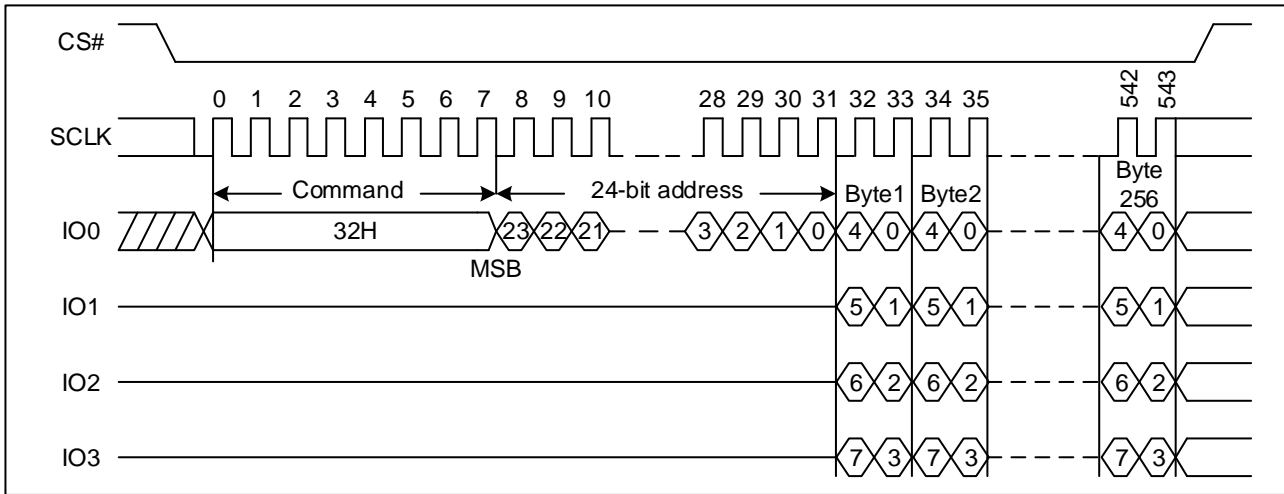
If more than 256 bytes are sent to the device, previously latched data are discarded and the last 256 data bytes are guaranteed to be programmed correctly within the same page. If less than 256 data bytes are sent to device, they are correctly programmed at the requested addresses without having any effects on the other bytes of the same page. CS# must be driven high after the eighth bit of the last data byte has been latched in; otherwise the Quad Page Program (PP) command is not executed.

As soon as CS# is driven high, the self-timed Quad Page Program cycle (whose duration is t_{PP}) is initiated. While the Quad Page Program cycle is in progress, the Status Register may be read to check the value of the Write In Progress (WIP) bit. The Write in Progress (WIP) bit is 1 during the self-timed Quad Page Program cycle, and is 0 when it is completed. At some unspecified time before the cycle is completed, the Write Enable Latch (WEL) bit is reset.

A Quad Page Program command applied to a page which is protected by the Block Protect (BP4, BP3, BP2, BP1, and BP0) is not executed.



Figure 18. Quad Page Program Sequence Diagram

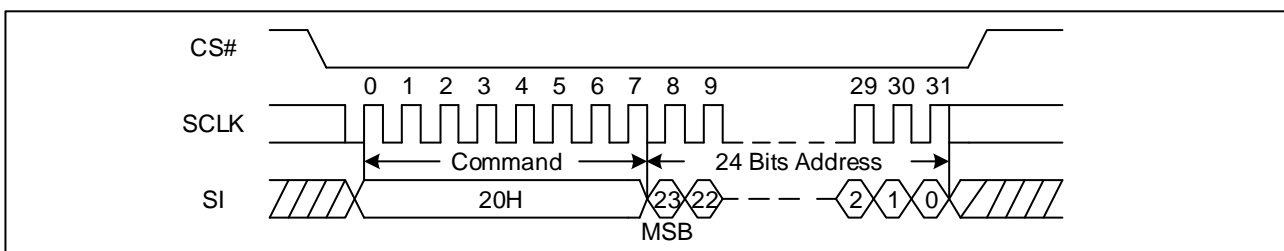


7.15 Sector Erase (SE) (20H)

The Sector Erase (SE) command is for erasing the all data of the chosen sector. A Write Enable (WREN) command must previously have been executed to set the Write Enable Latch (WEL) bit. The Sector Erase (SE) command is entered by driving CS# low, followed by the command code, and 3-address byte on SI. Any address inside the sector is a valid address for the Sector Erase (SE) command. CS# must be driven low for the entire duration of the sequence.

The Sector Erase command sequence: CS# goes low → sending Sector Erase command → 3-byte address on SI → CS# goes high.. CS# must be driven high after the eighth bit of the last address byte has been latched in; otherwise the Sector Erase (SE) command is not executed. As soon as CS# is driven high, the self-timed Sector Erase cycle (whose duration is t_{SE}) is initiated. While the Sector Erase cycle is in progress, the Status Register may be read to check the value of the Write in Progress (WIP) bit. The Write in Progress (WIP) bit is 1 during the self-timed Sector Erase cycle, and is 0 when it is completed. At some unspecified time before the cycle is completed, the Write Enable Latch (WEL) bit is reset. A Sector Erase (SE) command applied to a sector which is protected by the Block Protect (BP4, BP3, BP2, BP1, and BP0) bit is not executed.

Figure 19. Sector Erase Sequence Diagram



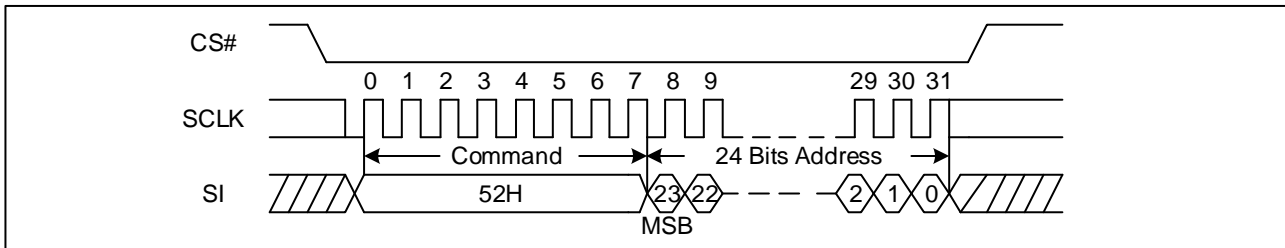
7.16 32KB Block Erase (BE) (52H)

The 32KB Block Erase (BE) command is for erasing the all data of the chosen block. A Write Enable (WREN) command must previously have been executed to set the Write Enable Latch (WEL) bit. The 32KB Block Erase (BE) command is entered by driving CS# low, followed by the command code, and three address bytes on SI. Any address inside the block is a valid address for the 32KB Block Erase (BE) command. CS# must be driven low for the entire duration of the sequence. The 32KB Block Erase command sequence: CS# goes low → sending 32KB Block Erase command → 3-byte address on SI → CS# goes high. CS# must be driven high after the eighth bit of the last address byte has been latched in; otherwise



the 32KB Block Erase (BE) command is not executed. As soon as CS# is driven high, the self-timed Block Erase cycle (whose duration is t_{BE2}) is initiated. While the Block Erase cycle is in progress, the Status Register may be read to check the value of the Write in Progress (WIP) bit. The Write in Progress (WIP) bit is 1 during the self-timed Block Erase cycle, and is 0 when it is completed. At some unspecified time before the cycle is completed, the Write Enable Latch (WEL) bit is reset. A 32KB Block Erase (BE) command applied to a block which is protected by the Block Protect (BP4, BP3, BP2, BP1, and BP0) bits is not executed.

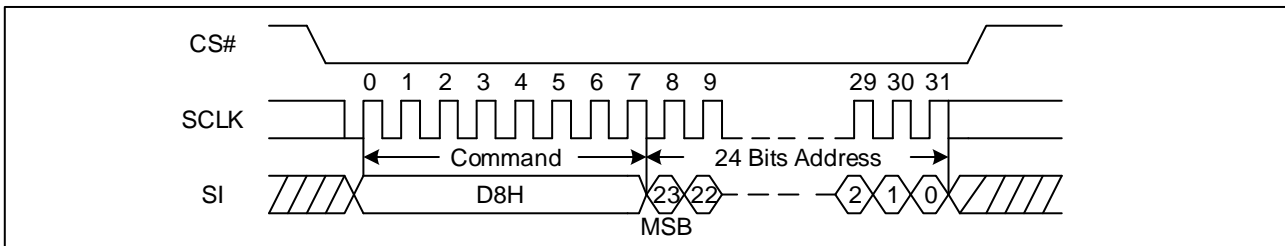
Figure 20. 32KB Block Erase Sequence Diagram



7.17 64KB Block Erase (BE) (D8H)

The 64KB Block Erase (BE) command is for erasing the all data of the chosen block. A Write Enable (WREN) command must previously have been executed to set the Write Enable Latch (WEL) bit. The 64KB Block Erase (BE) command is entered by driving CS# low, followed by the command code, and three address bytes on SI. Any address inside the block is a valid address for the 64KB Block Erase (BE) command. CS# must be driven low for the entire duration of the sequence. The 64KB Block Erase command sequence: CS# goes low → sending 64KB Block Erase command → 3-byte address on SI → CS# goes high. CS# must be driven high after the eighth bit of the last address byte has been latched in; otherwise the 64KB Block Erase (BE) command is not executed. As soon as CS# is driven high, the self-timed Block Erase cycle (whose duration is t_{BE2}) is initiated. While the Block Erase cycle is in progress, the Status Register may be read to check the value of the Write in Progress (WIP) bit. The Write in Progress (WIP) bit is 1 during the self-timed Block Erase cycle, and is 0 when it is completed. At some unspecified time before the cycle is completed, the Write Enable Latch (WEL) bit is reset. A 64KB Block Erase (BE) command applied to a block which is protected by the Block Protect (BP4, BP3, BP2, BP1, and BP0) bits is not executed.

Figure 21. 64KB Block Erase Sequence Diagram



7.18 Chip Erase (CE) (60H/C7H)

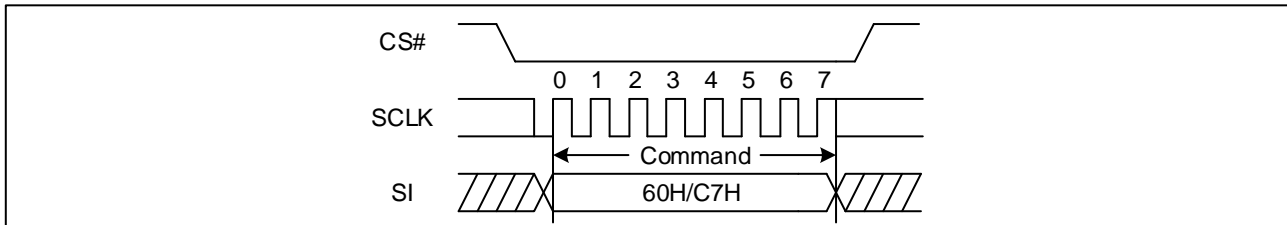
The Chip Erase (CE) command is for erasing the all data of the chip. A Write Enable (WREN) command must previously have been executed to set the Write Enable Latch (WEL) bit. The Chip Erase (CE) command is entered by driving CS# Low, followed by the command code on Serial Data Input (SI). CS# must be driven Low for the entire duration of the sequence.

The Chip Erase command sequence: CS# goes low → sending Chip Erase command → CS# goes high. CS# must be driven high after the eighth bit of the command code has been latched in; otherwise the Chip Erase command is not executed.



As soon as CS# is driven high, the self-timed Chip Erase cycle (whose duration is t_{CE}) is initiated. While the Chip Erase cycle is in progress, the Status Register may be read to check the value of the Write in Progress (WIP) bit. The Write in Progress (WIP) bit is 1 during the self-timed Chip Erase cycle, and is 0 when it is completed. At some unspecified time before the cycle is completed, the Write Enable Latch (WEL) bit is reset. The Chip Erase (CE) command is executed, if the Block Protect (BP2, BP1, and BP0) bits are 0 and CMP=0 or the Block Protect (BP2, BP1, and BP0) bits are 1 and CMP=1.

Figure 22. Chip Erase Sequence Diagram

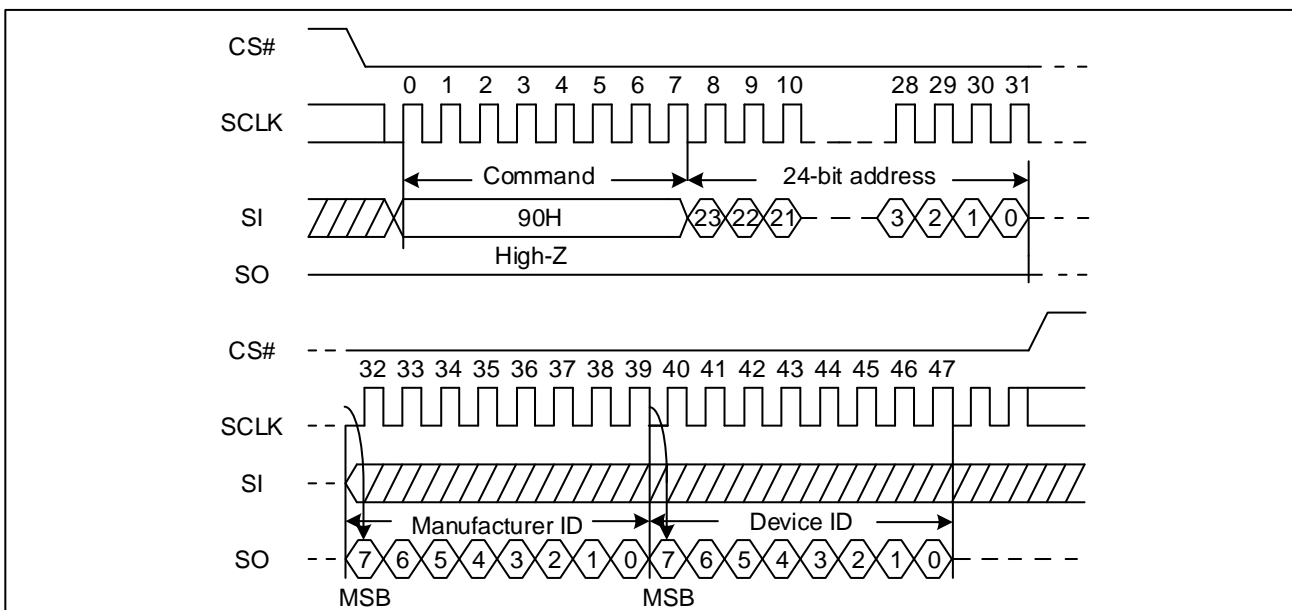


7.19 Read Manufacture ID/ Device ID (REMS) (90H)

The Read Manufacturer/Device ID command is an alternative to the Release from Power-Down / Device ID command that provides both the JEDEC assigned Manufacturer ID and the specific Device ID.

The command is initiated by driving the CS# pin low and shifting the command code “90H” followed by a 24-bit address (A23-A0) of 000000H. After which, the Manufacturer ID and the Device ID are shifted out on the falling edge of SCLK with most significant bit (MSB) first.

Figure 23. Read Manufacture ID/ Device ID Sequence Diagram



7.20 Read Identification (RDID) (9FH)

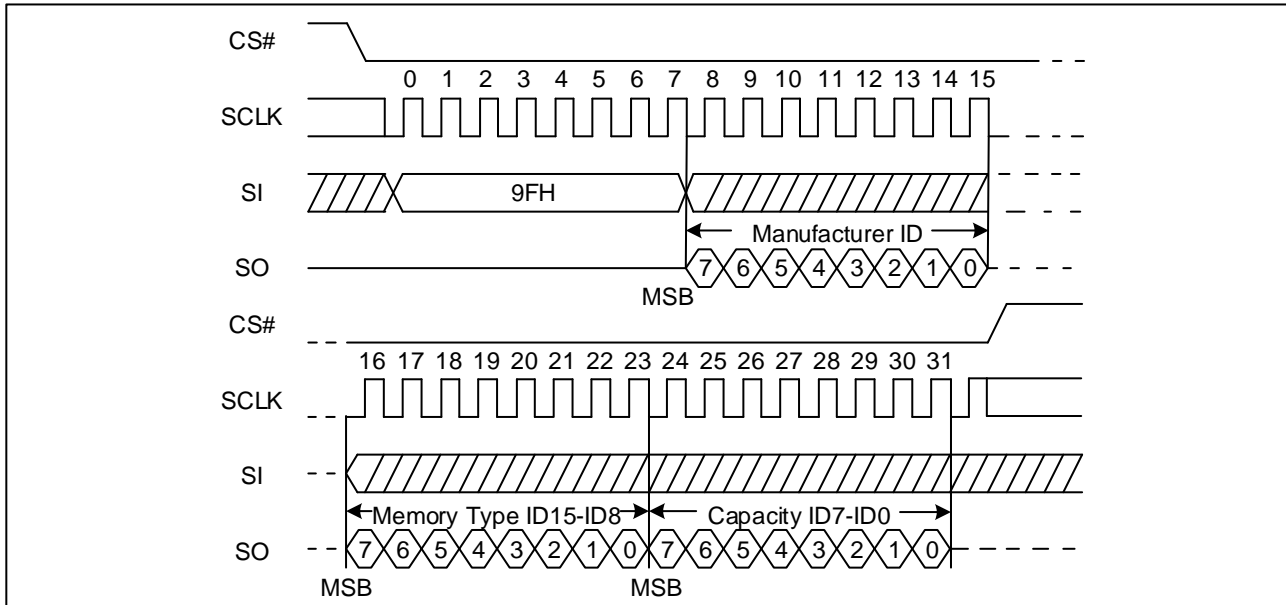
The Read Identification (RDID) command allows the 8-bit manufacturer identification to be read, followed by two bytes of device identification. The device identification indicates the memory type in the first byte, and the memory capacity of the device in the second byte. The Read Identification (RDID) command while an Erase or Program cycle is in progress, is not decoded, and has no effect on the cycle that is in progress. The Read Identification (RDID) command should not be issued while the device is in Deep Power-Down Mode.

The device is first selected by driving CS# low. Then, the 8-bit command code for the command is shifted in. This is followed



by the 24-bit device identification, stored in the memory. Each bit is shifted out on the falling edge of Serial Clock. The Read Identification (RDID) command is terminated by driving CS# high at any time during data output. When CS# is driven high, the device is in the Standby Mode. Once in the Standby Mode, the device waits to be selected, so that it can receive, decode and execute commands.

Figure 24. Read Identification ID Sequence Diagram

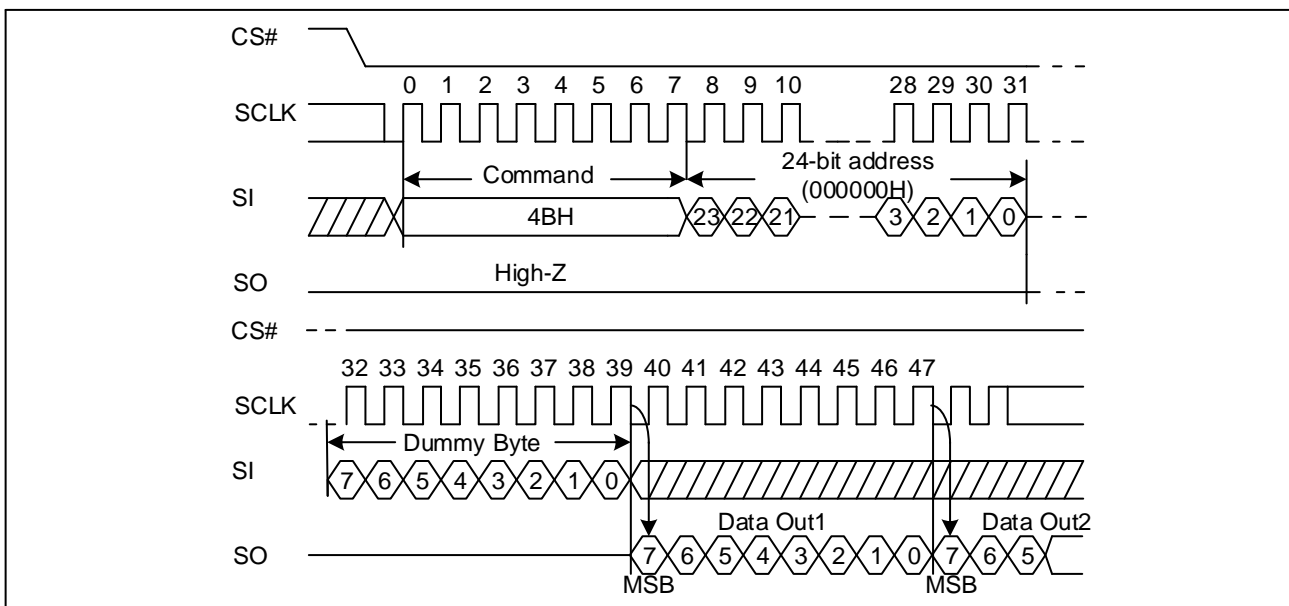


7.21 Read Unique ID (4BH)

The Read Unique ID command accesses a factory-set read-only 128bit number that is unique to each device. The Unique ID can be used in conjunction with user software methods to help prevent copying or cloning of a system.

The Read Unique ID command sequence: CS# goes low → sending Read Unique ID command → 3-Byte Address (000000H) → Dummy Byte → 128bit Unique ID Out → CS# goes high.

Figure 25. Read Unique ID Sequence Diagram





7.22 Erase Security Registers (44H)

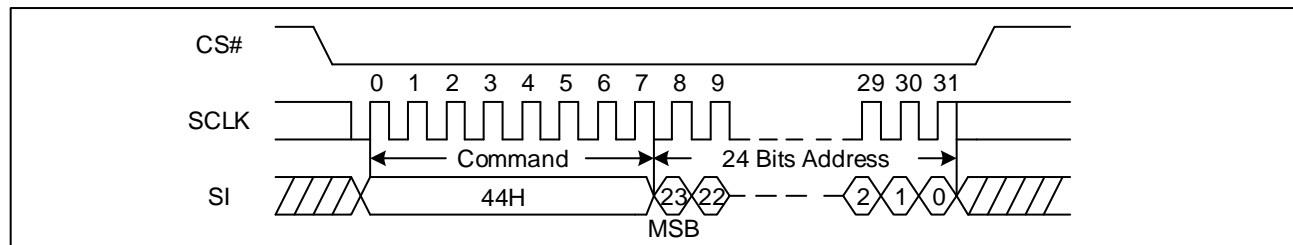
The GD25WQ128E provides 3x1024-Byte Security Registers which can be erased and programmed individually. These registers may be used by the system manufacturers to store security and other important information separately from the main memory array.

The Erase Security Registers command is similar to Sector/Block Erase command. A Write Enable (WREN) command must previously have been executed to set the Write Enable Latch (WEL) bit.

The Erase Security Registers command sequence: CS# goes low → sending Erase Security Registers command → 3-byte address on SI → CS# goes high. The command sequence is shown below. CS# must be driven high after the eighth bit of the last address byte has been latched in; otherwise the Erase Security Registers command is not executed. As soon as CS# is driven high, the self-timed Erase Security Registers cycle (whose duration is t_{SE}) is initiated. While the Erase Security Registers cycle is in progress, the Status Register may be read to check the value of the Write in Progress (WIP) bit. The Write in Progress (WIP) bit is 1 during the self-timed Erase Security Registers cycle, and is 0 when it is completed. At some unspecified time before the cycle is completed, the Write Enable Latch (WEL) bit is reset. The Security Registers Lock Bit (LB1, LB2, LB3) in the Status Register can be used to OTP protect the security registers. Once the LB bit is set to 1, the Security Registers will be permanently locked; the Erase Security Registers command will be ignored.

| Address | A23-16 | A15-12 | A11-10 | A9-0 |
|----------------------|--------|--------|--------|------------|
| Security Register #1 | 00H | 0001b | 00b | Don't care |
| Security Register #2 | 00H | 0010b | 00b | Don't care |
| Security Register #3 | 00H | 0011b | 00b | Don't care |

Figure 26. Erase Security Registers command Sequence Diagram



7.23 Program Security Registers (42H)

The Program Security Registers command is similar to the Page Program command. Each security register contains four pages content. A Write Enable (WREN) command must previously have been executed to set the Write Enable Latch (WEL) bit before sending the Program Security Registers command. The Program Security Registers command is entered by driving CS# Low, followed by the command code (42H), three address bytes and at least one data byte on SI. As soon as CS# is driven high, the self-timed Program Security Registers cycle (whose duration is t_{PP}) is initiated. While the Program Security Registers cycle is in progress, the Status Register may be read to check the value of the Write in Progress (WIP) bit. The Write in Progress (WIP) bit is 1 during the self-timed Program Security Registers cycle, and is 0 when it is completed. At some unspecified time before the cycle is completed, the Write Enable Latch (WEL) bit is reset.

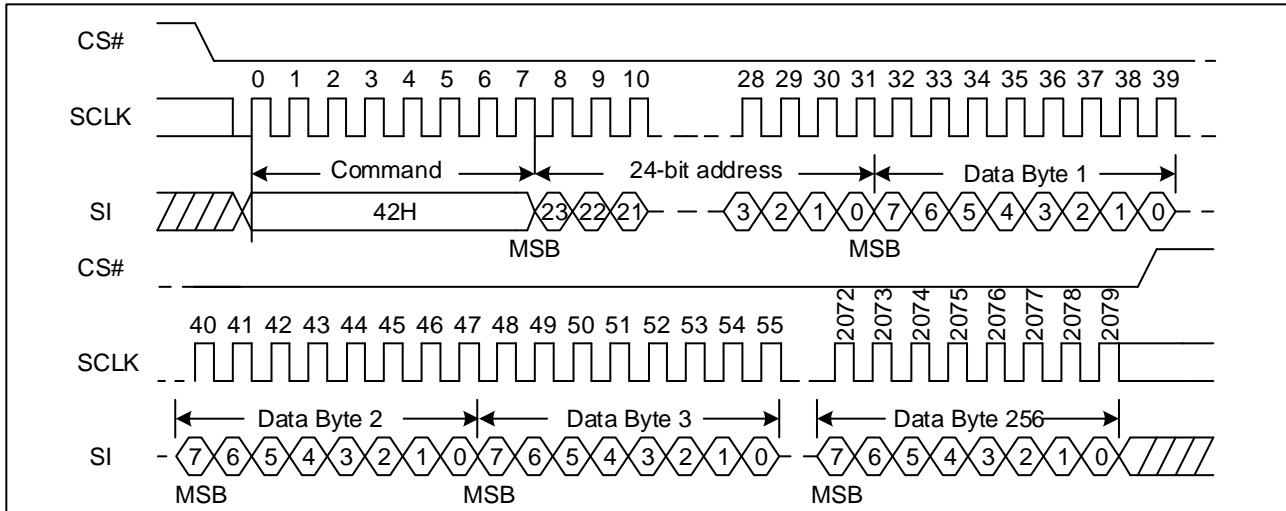
If the Security Registers Lock Bit (LB1, LB2, LB3) is set to 1, the Security Registers will be permanently locked. Program Security Registers command will be ignored.

| Address | A23-16 | A15-12 | A11-10 | A9-0 |
|----------------------|--------|--------|--------|--------------|
| Security Register #1 | 00H | 0001b | 00b | Byte Address |
| Security Register #2 | 00H | 0010b | 00b | Byte Address |



| | | | | |
|-----------------------------|-----|-------|-----|--------------|
| Security Register #3 | 00H | 0011b | 00b | Byte Address |
|-----------------------------|-----|-------|-----|--------------|

Figure 27. Program Security Registers command Sequence Diagram

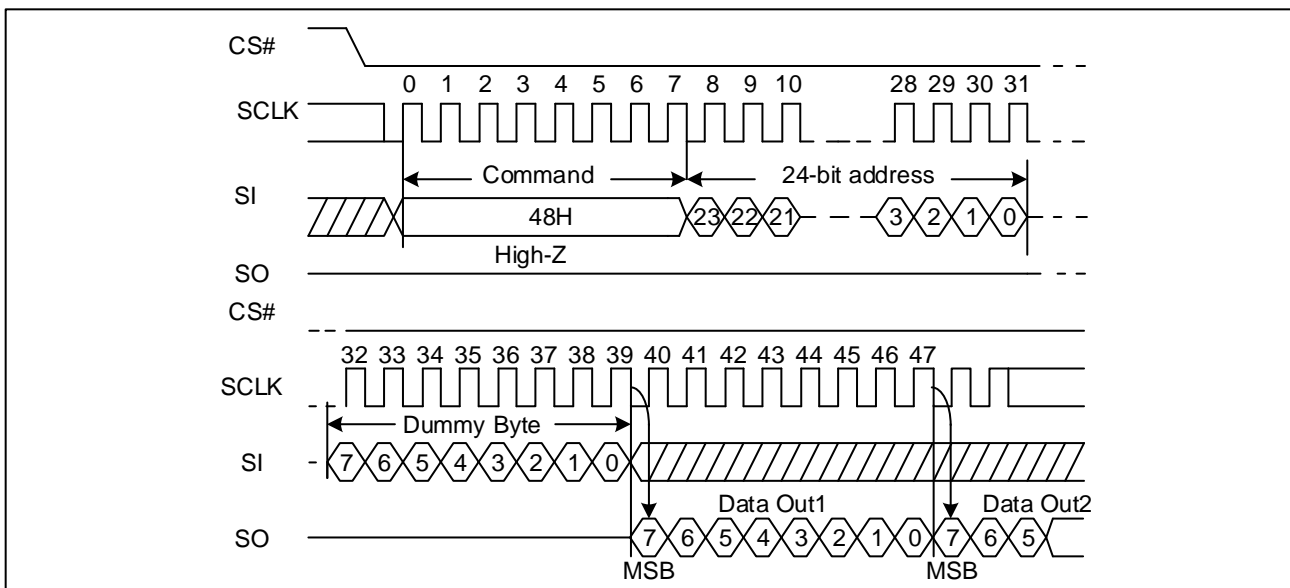


7.24 Read Security Registers (48H)

The Read Security Registers command is similar to Fast Read command. The command is followed by a 3-byte address (A23-A0) and a dummy byte, and each bit is latched-in on the rising edge of SCLK. Then the memory content, at that address, is shifted out on SO, and each bit is shifted out, at a Max frequency f_c , on the falling edge of SCLK. The first byte addressed can be at any location. The address is automatically incremented to the next higher address after each byte of data is shifted out. Once the A9-0 address reaches the last byte of the register (Byte 3FFH), it will reset to 000H, the command is completed by driving CS# high.

| Address | A23-16 | A15-12 | A11-10 | A9-0 |
|-----------------------------|--------|--------|--------|--------------|
| Security Register #1 | 00H | 0001b | 00b | Byte Address |
| Security Register #2 | 00H | 0010b | 00b | Byte Address |
| Security Register #3 | 00H | 0011b | 00b | Byte Address |

Figure 28. Read Security Registers command Sequence Diagram



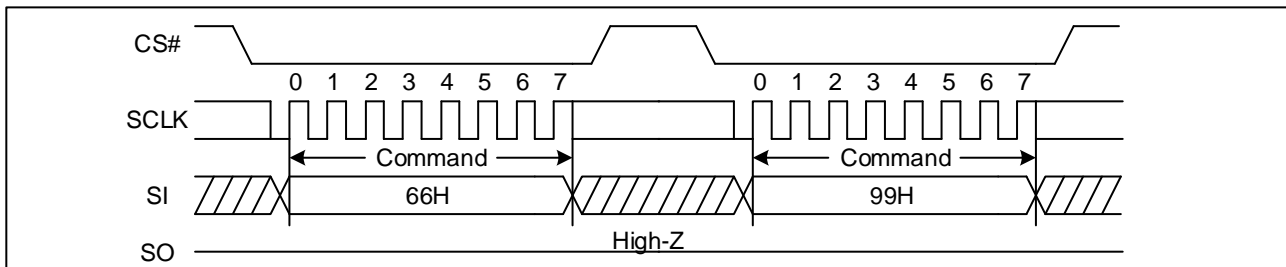


7.25 Enable Reset (66H) and Reset (99H)

If the Reset command is accepted, any on-going internal operation will be terminated and the device will return to its default power-on state and lose all the current volatile settings, such as Volatile Status Register bits, Write Enable Latch status (WEL), Program/Erase Suspend status, Read Parameter setting (P7-P0), Deep Power Down Mode, Continuous Read Mode bit setting (M7-M0) and Wrap Bit Setting (W6-W4).

The “Enable Reset (66H)” and “Reset (99H)” command sequence as follow: CS# goes low → Sending Enable Reset command → CS# goes high → CS# goes low → Sending Reset command → CS# goes high. Once the Reset command is accepted by the device, the device will take approximately t_{RST} / t_{RST_E} to reset. During this period, no command will be accepted. Data corruption may happen if there is an on-going or suspended internal Erase or Program operation when Reset command sequence is accepted by the device. It is recommended to check the WIP bit and the SUS1/SUS2 bit in Status Register before issuing the Reset command sequence.

Figure 29. Enable Reset and Reset command Sequence Diagram

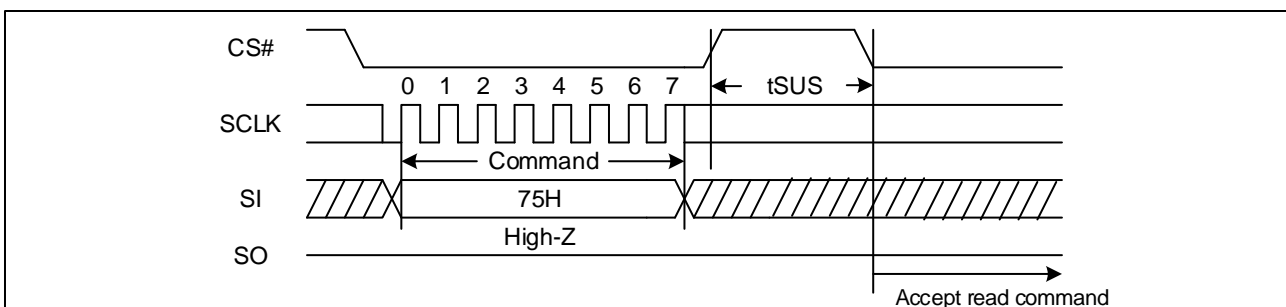


7.26 Program/Erase Suspend (PES) (75H)

The Program/Erase Suspend command “75H”, allows the system to interrupt a page program or sector/block erase operation and then read data from any other sector or block. The Write Status Register command (01H, 31H, 11H) and Erase/Program Security Registers command (44H, 42H) and Erase commands (20H, 52H, D8H, C7H, 60H) and Page Program command (02H, 32H) are not allowed during Program suspend. The Write Status Register command (01H, 31H, 11H) and Erase Security Registers command (44H) and Erase commands (20H, 52H, D8H, C7H, 60H) are not allowed during Erase suspend. Program/Erase Suspend is valid only during the page program or sector/block erase operation. A maximum of time of “ t_{sus} ” (See AC Characteristics) is required to suspend the program/erase operation.

The Program/Erase Suspend command will be accepted by the device only if the SUS1/SUS2 bit in the Status Register equal to 0 and WIP bit equal to 1 while a Page Program or a Sector or Block Erase operation is on-going. If the SUS1/SUS2 bit equal to 1 or WIP bit equal to 0, the Suspend command will be ignored by the device. The WIP bit will be cleared from 1 to 0 within “ t_{sus} ” and the SUS1/SUS2 bit will be set from 0 to 1 immediately after Program/Erase Suspend. A power-off during the suspend period will reset the device and release the suspend state.

Figure 30. Program/Erase Suspend Sequence Diagram

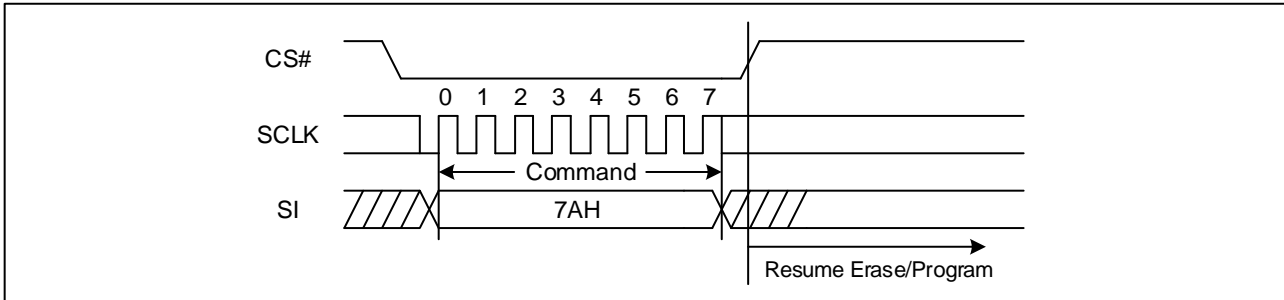




7.27 Program/Erase Resume (PER) (7AH)

The Program/Erase Resume command must be written to resume the program or sector/block erase operation after a Program/Erase Suspend command. The Program/Erase Resume command will be accepted by the device only if the SUS1/SUS2 bit equal to 1 and the WIP bit equal to 0. After issued the SUS1/SUS2 bit in the status register will be cleared from 1 to 0 immediately, the WIP bit will be set from 0 to 1 within 200ns and the Sector or Block will complete the erase operation or the page will complete the program operation. The Program/Erase Resume command will be ignored unless a Program/Erase Suspend is active.

Figure 31. Program/Erase Resume Sequence Diagram



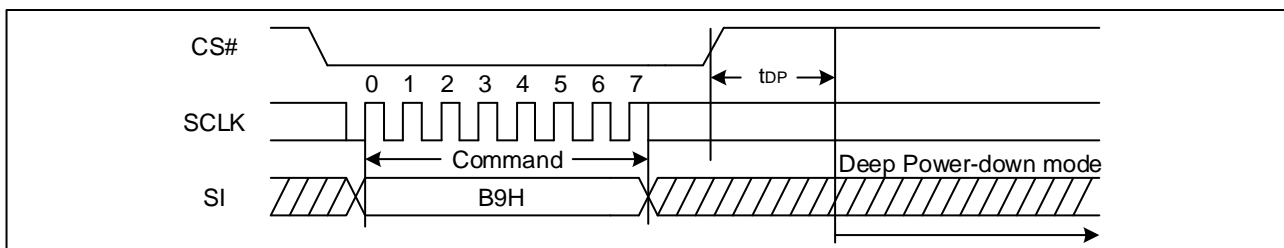
7.28 Deep Power-Down (DP) (B9H)

Executing the Deep Power-Down (DP) command is the only way to put the device in the lowest consumption mode (the Deep Power-Down Mode). It can also be used as an extra software protection mechanism, while the device is not in active use, since in this mode, the device ignores all Write, Program and Erase commands. Driving CS# high deselects the device, and puts the device in the Standby Mode (if there is no internal cycle currently in progress). But this mode is not the Deep Power-Down Mode. The Deep Power-Down Mode can only be entered by executing the Deep Power-Down (DP) command. Once the device has entered the Deep Power-Down Mode, all commands are ignored except the Release from Deep Power-Down and Read Device ID (RDI) command or software reset command. The Release from Deep Power-Down and Read Device ID (RDI) command releases the device from Deep Power-Down mode, also allows the Device ID of the device to be output on SO.

The Deep Power-Down Mode automatically stops at Power-Down, and the device always in the Standby Mode after Power-Up.

The Deep Power-Down command sequence: CS# goes low → sending Deep Power-Down command → CS# goes high. CS# must be driven high after the eighth bit of the command code has been latched in; otherwise the Deep Power-Down (DP) command is not executed. As soon as CS# is driven high, it requires a delay of t_{DP} before the supply current is reduced to I_{CC2} and the Deep Power-Down Mode is entered. Any Deep Power-Down (DP) command, while an Erase, Program or Write cycle is in progress, is rejected without having any effects on the cycle that is in progress.

Figure 32. Deep Power-Down Sequence Diagram





7.29 Release from Deep Power-Down and Read Device ID (RDI) (ABH)

The Release from Power-Down and Read Device ID command is a multi-purpose command. It can be used to release the device from the Power-Down state or obtain the devices electronic identification (ID) number.

To release the device from the Power-Down state, the command is issued by driving the CS# pin low, shifting the instruction code “ABH” and driving CS# high. Release from Power-Down will take the time duration of t_{RES1} (See AC Characteristics) before the device will resume normal operation and other command are accepted. The CS# pin must remain high during the t_{RES1} time duration.

When used only to obtain the Device ID while not in the Power-Down state, the command is initiated by driving the CS# pin low and shifting the instruction code “ABH” followed by 3-dummy byte. The Device ID bits are then shifted out on the falling edge of SCLK with most significant bit (MSB) first. The Device ID value is listed in Manufacturer and Device Identification table. The Device ID can be read continuously. The command is completed by driving CS# high.

When used to release the device from the Power-Down state and obtain the Device ID, the command is the same as previously described, except that after CS# is driven high it must remain high for a time duration of t_{RES2} (See AC Characteristics). After this time duration the device will resume normal operation and other command will be accepted. If the Release from Power-Down/ Device ID command is issued while an Erase, Program or Write cycle is in process (when WIP equals 1) the command is ignored and will not have any effects on the current cycle.

Figure 33. Release Power-Down Sequence Diagram

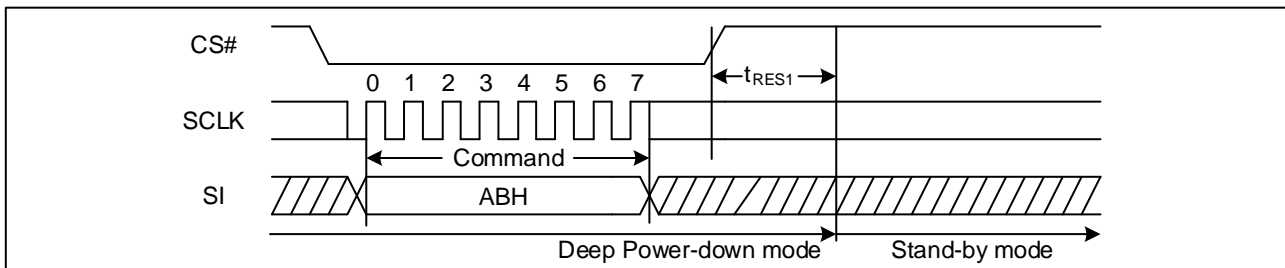
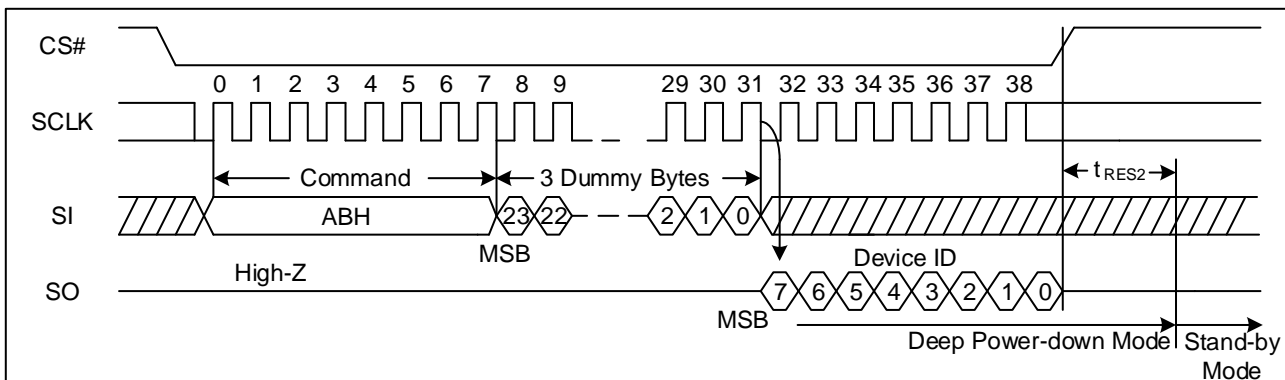


Figure 34. Release Power-Down/Read Device ID Sequence Diagram



7.30 Read Serial Flash Discoverable Parameter (5AH)

The Serial Flash Discoverable Parameter (SFDP) standard provides a consistent method of describing the functional and feature capabilities of serial flash devices in a standard set of internal parameter tables. These parameter tables can be interrogated by host system software to enable adjustments needed to accommodate divergent features from multiple vendors. The concept is similar to the one found in the Introduction of JEDEC Standard, JESD68 on CFI. SFDP is a standard of JEDEC Standard No.216B.



Figure 35. Read Serial Flash Discoverable Parameter command Sequence Diagram

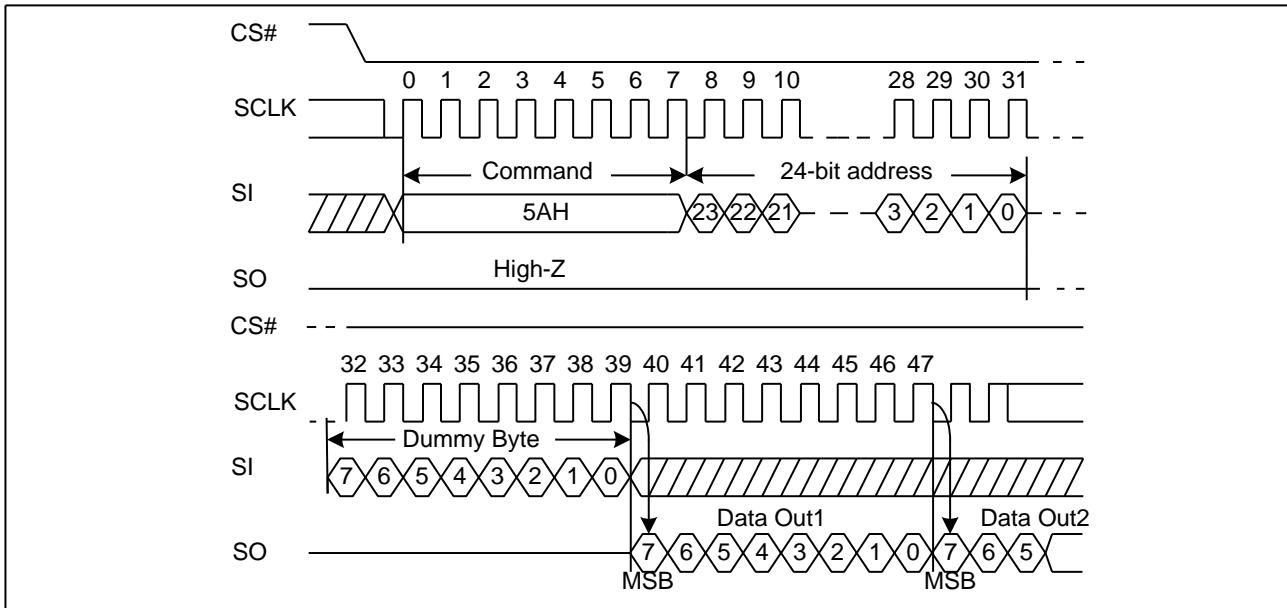


Table 11. Signature and Parameter Identification Data Values (Please contact GigaDevice for Details)



8 ELECTRICAL CHARACTERISTICS

8.1 Power-On Timing

Figure 36. Power-On Timing Sequence Diagram

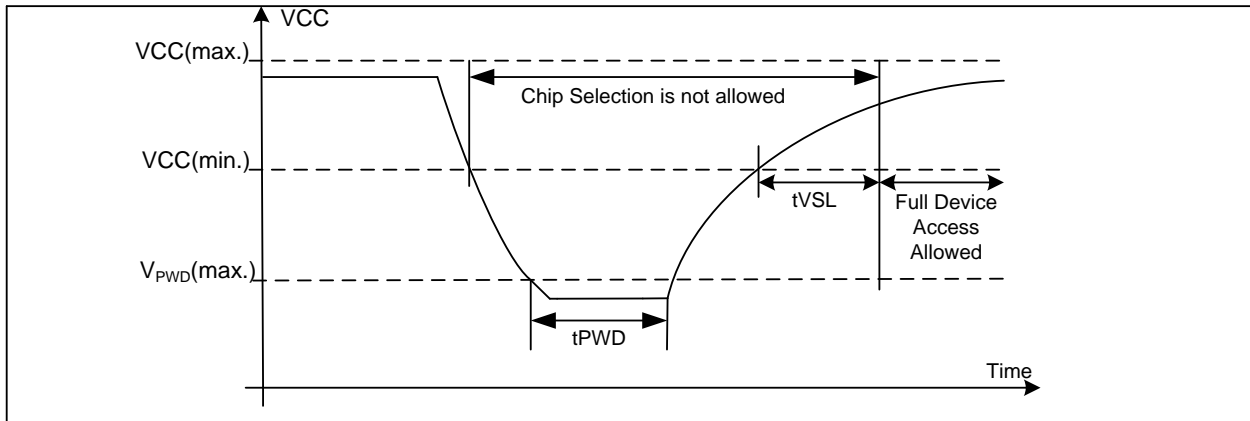


Table 12. Power-Up Timing and Write Inhibit Threshold

| Symbol | Parameter | Min. | Max. | Unit |
|--------|---|------|------|------|
| tVSL | VCC (min.) to device operation | 1.8 | | ms |
| VWI | Write Inhibit Voltage | 1 | 1.55 | V |
| VPWD | VCC voltage needed to below VPWD for ensuring initialization will occur | | 0.5 | V |
| tPWD | The minimum duration for ensuring initialization will occur | 300 | | μs |

8.2 Initial Delivery State

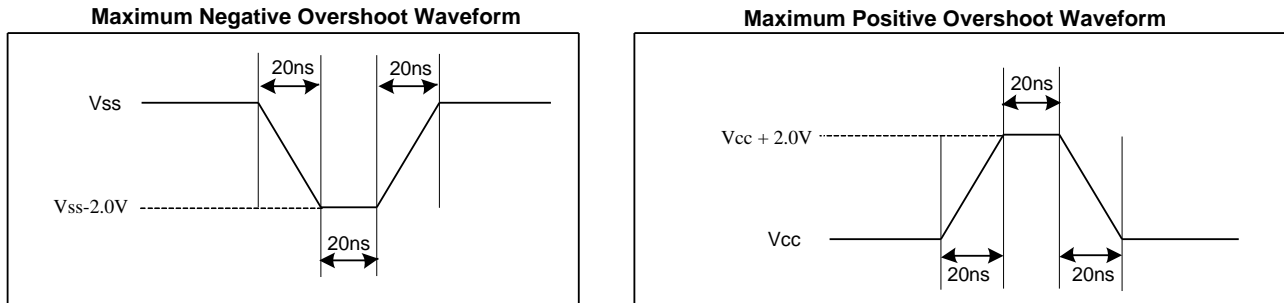
The device is delivered with the memory array erased: all bits are set to 1 (each Byte contains FFH). The Status Register contains 00H, except that DRV0 bit (S21) is set to 1.

8.3 Absolute Maximum Ratings

| Parameter | Value | Unit |
|--|-----------------|------|
| Ambient Operating Temperature | -40 to 85 | °C |
| | -40 to 105 | |
| | -40 to 125 | |
| Storage Temperature | -65 to 150 | °C |
| Transient Input/Output Voltage (note: overshoot) | -2.0 to VCC+2.0 | V |
| Applied Input/Output Voltage | -0.6 to VCC+0.4 | V |
| VCC | -0.6 to 4.2 | V |



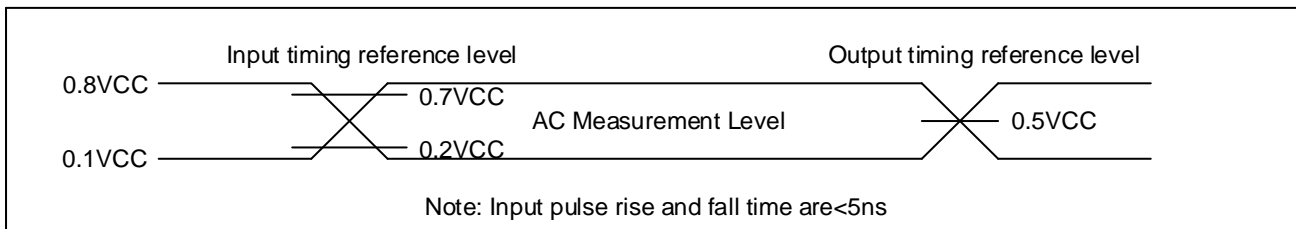
Figure 37. Input Test Waveform and Measurement Level



8.4 Capacitance Measurement Conditions

| Symbol | Parameter | Min. | Typ. | Max. | Unit | Conditions |
|------------------|---------------------------------|--|------|------|------|----------------------|
| C _{IN} | Input Capacitance | | | 6 | pF | V _{IN} =0V |
| C _{OUT} | Output Capacitance | | | 8 | pF | V _{OUT} =0V |
| C _L | Load Capacitance | 30 | | | pF | |
| | Input Rise And Fall time | | | 5 | ns | |
| | Input Pulse Voltage | 0.1V _{CC} to 0.8V _{CC} | | | V | |
| | Input Timing Reference Voltage | 0.2V _{CC} to 0.7V _{CC} | | | V | |
| | Output Timing Reference Voltage | 0.5V _{CC} | | | V | |

Figure 38. Absolute Maximum Ratings Diagram





8.5 DC Characteristics

(T=-40°C~85°C, VCC=1.65~3.6V)

| Symbol | Parameter | Test Condition | Min. | Typ. | Max. | Unit. |
|------------------|--------------------------|---|---------|------|--------|-------|
| I _{LI} | Input Leakage Current | | | | ±2 | μA |
| I _{LO} | Output Leakage Current | | | | ±2 | μA |
| I _{CC1} | Standby Current | CS#=VCC, VIN=VCC or VSS | | 14 | 50 | μA |
| I _{CC2} | Deep Power-Down Current | CS#=VCC, VIN=VCC or VSS | | 0.1 | 8 | μA |
| I _{CC3} | Operating Current (Read) | CLK=0.1VCC / 0.9VCC at 104MHz, Q=Open(x4 I/O) | | 12 | 15 | mA |
| | | CLK=0.1VCC / 0.9VCC at 80MHz, Q=Open(x4 I/O) | | 6 | 10 | mA |
| | | CLK=0.1VCC / 0.9VCC at 50MHz, Q=Open(x4 I/O) | | 4 | 8 | mA |
| I _{CC4} | Operating Current (PP) | CS#=VCC | | 15 | 25 | mA |
| I _{CC5} | Operating Current (WRSR) | CS#=VCC | | 15 | 25 | mA |
| I _{CC6} | Operating Current (SE) | CS#=VCC | | 15 | 25 | mA |
| I _{CC7} | Operating Current (BE) | CS#=VCC | | 15 | 25 | mA |
| I _{CC8} | Operating Current (CE) | CS#=VCC | | 15 | 25 | mA |
| V _{IL} | Input Low Voltage | | | | 0.2VCC | V |
| V _{IH} | Input High Voltage | | 0.8VCC | | | V |
| V _{OL} | Output Low Voltage | I _{OL} = 100μA | | | 0.2 | V |
| V _{OH} | Output High Voltage | I _{OH} = -100μA | VCC-0.2 | | | V |

Note:

1. Typical value of I_{CC3}@104MHz at T = 25°C, VCC = 3.3V. Other typical values at T = 25°C, VCC = 1.8V.
2. Value guaranteed by design and/or characterization, not 100% tested in production.



(T=-40°C~105°C, VCC=1.65~3.6V)

| Symbol | Parameter | Test Condition | Min. | Typ. | Max. | Unit. |
|------------------|--------------------------|--|---------|------|--------|-------|
| I _{LI} | Input Leakage Current | | | | ±2 | μA |
| I _{LO} | Output Leakage Current | | | | ±2 | μA |
| I _{CC1} | Standby Current | CS#=VCC, VIN=VCC or VSS | | 14 | 80 | μA |
| I _{CC2} | Deep Power-Down Current | CS#=VCC, VIN=VCC or VSS | | 0.1 | 20 | μA |
| I _{CC3} | Operating Current (Read) | CLK=0.1VCC / 0.9VCC at 84MHz, Q=Open(x4 I/O) | | 6 | 14 | mA |
| | | CLK=0.1VCC / 0.9VCC at 50MHz, Q=Open(x4 I/O) | | 4 | 12 | mA |
| I _{CC4} | Operating Current (PP) | CS#=VCC | | 15 | 30 | mA |
| I _{CC5} | Operating Current (WRSR) | CS#=VCC | | 15 | 30 | mA |
| I _{CC6} | Operating Current (SE) | CS#=VCC | | 15 | 30 | mA |
| I _{CC7} | Operating Current (BE) | CS#=VCC | | 15 | 30 | mA |
| I _{CC8} | Operating Current (CE) | CS#=VCC | | 15 | 30 | mA |
| V _{IL} | Input Low Voltage | | | | 0.2VCC | V |
| V _{IH} | Input High Voltage | | 0.8VCC | | | V |
| V _{OL} | Output Low Voltage | I _{OL} = 100μA | | | 0.2 | V |
| V _{OH} | Output High Voltage | I _{OH} = -100μA | VCC-0.2 | | | V |

Note:

1. Typical value at T = 25°C, VCC = 1.8V.
2. Value guaranteed by design and/or characterization, not 100% tested in production.



(T=-40°C~125°C, VCC=1.65~3.6V)

| Symbol | Parameter | Test Condition | Min. | Typ. | Max. | Unit. |
|------------------|--------------------------|--|---------|------|--------|-------|
| I _{LI} | Input Leakage Current | | | | ±2 | μA |
| I _{LO} | Output Leakage Current | | | | ±2 | μA |
| I _{CC1} | Standby Current | CS#=VCC, VIN=VCC or VSS | | 14 | 120 | μA |
| I _{CC2} | Deep Power-Down Current | CS#=VCC, VIN=VCC or VSS | | 0.1 | 25 | μA |
| I _{CC3} | Operating Current (Read) | CLK=0.1VCC / 0.9VCC at 84MHz, Q=Open(x4 I/O) | | 6 | 14 | mA |
| | | CLK=0.1VCC / 0.9VCC at 50MHz, Q=Open(x4 I/O) | | 4 | 12 | mA |
| I _{CC4} | Operating Current (PP) | CS#=VCC | | 15 | 30 | mA |
| I _{CC5} | Operating Current (WRSR) | CS#=VCC | | 15 | 30 | mA |
| I _{CC6} | Operating Current (SE) | CS#=VCC | | 15 | 30 | mA |
| I _{CC7} | Operating Current (BE) | CS#=VCC | | 15 | 30 | mA |
| I _{CC8} | Operating Current (CE) | CS#=VCC | | 15 | 30 | mA |
| V _{IL} | Input Low Voltage | | | | 0.2VCC | V |
| V _{IH} | Input High Voltage | | 0.8VCC | | | V |
| V _{OL} | Output Low Voltage | I _{OL} = 100μA | | | 0.2 | V |
| V _{OH} | Output High Voltage | I _{OH} = -100μA | VCC-0.2 | | | V |

Note:

1. Typical value at T = 25°C, VCC = 1.8V.
2. Value guaranteed by design and/or characterization, not 100% tested in production.



8.6 AC Characteristics

(T=-40°C~85°C, VCC=1.65~3.6V, CL=30pf)

| Symbol | Parameter | Min. | Typ. | Max. | Unit. |
|-------------------|--|--|------|------|-------|
| F _{C1} | Serial Clock Frequency For: all commands except Read (03H), DC=1 on 2.3-3.6V power supply | | | 104 | MHz |
| F _{C2} | Serial Clock Frequency For: all commands except Read (03H), DC=1 on 1.65-2.3V power supply | | | 80 | MHz |
| f _C | Serial Clock Frequency For: all commands except Read (03H), DC=0 | | | 66 | MHz |
| f _R | Serial Clock Frequency For: Read (03H) | | | 50 | MHz |
| t _{CLH} | Serial Clock High Time | 45% (1/f _{C_{MAX}}) | | | ns |
| t _{CLL} | Serial Clock Low Time | 45% (1/f _{C_{MAX}}) | | | ns |
| t _{CLCH} | Serial Clock Rise Time (Slew Rate) | 0.2 | | | V/ns |
| t _{CHCL} | Serial Clock Fall Time (Slew Rate) | 0.2 | | | V/ns |
| t _{SLCH} | CS# Active Setup Time | 10 | | | ns |
| t _{CHSH} | CS# Active Hold Time | 10 | | | ns |
| t _{SHCH} | CS# Not Active Setup Time | 10 | | | ns |
| t _{CHSL} | CS# Not Active Hold Time | 10 | | | ns |
| t _{SHSL} | CS# High Time (Read/Write) | 40 | | | ns |
| t _{SHQZ} | Output Disable Time | | | 12 | ns |
| t _{CLQX} | Output Hold Time | 1.2 | | | ns |
| t _{DVCH} | Data In Setup Time | 4 | | | ns |
| t _{CHDX} | Data In Hold Time | 4 | | | ns |
| t _{HLCH} | HOLD# Low Setup Time (Relative To Clock) | 5 | | | ns |
| t _{HHCH} | HOLD# High Setup Time (Relative To Clock) | 5 | | | ns |
| t _{CHHH} | HOLD# Low Hold Time (Relative To Clock) | 5 | | | ns |
| t _{CHHL} | HOLD# High Hold Time (Relative To Clock) | 5 | | | ns |
| t _{HLQZ} | HOLD# Low To High-Z Output | | | 10 | ns |
| t _{HHQX} | HOLD# High To Low-Z Output | | | 10 | ns |
| t _{CLQV} | Clock Low To Output Valid (VCC=1.65~2.3V) | | | 12 | ns |
| | Clock Low To Output Valid (VCC=2.3~3.6V) | | | 8 | ns |
| t _{WHSL} | Write Protect Setup Time Before CS# Low | 20 | | | ns |
| t _{SHWL} | Write Protect Hold Time After CS# High | 100 | | | ns |
| t _{DP} | CS# High To Deep Power-Down Mode | | | 3 | μs |
| t _{RES1} | CS# High To Standby Mode Without Electronic Signature Read | | | 30 | μs |
| t _{RES2} | CS# High To Standby Mode With Electronic Signature Read | | | 30 | μs |
| t _{SUS} | CS# High To Next Command After Suspend | | | 40 | μs |
| t _{RS} | Latency Between Resume And Next Suspend | 100 | | | μs |



| | | | | | |
|--------------------|--|--|-----|-----|----|
| t _{RST} | CS# High To Next Command After Reset (Except From Erase) | | | 40 | μs |
| t _{RST_E} | CS# High To Next Command After Reset (From Erase) | | | 25 | ms |
| t _w | Write Status Register Cycle Time | | 5 | 30 | ms |
| t _{BP1} | Byte Program Time (First Byte) | | 65 | 120 | μs |
| t _{BP2} | Additional Byte Program Time (After First Byte) | | 5 | 30 | μs |
| t _{PP} | Page Programming Time | | 1 | 4 | ms |
| t _{SE} | Sector Erase Time | | 100 | 500 | ms |
| t _{BE1} | Block Erase Time (32K Bytes) | | 0.3 | 2 | s |
| t _{BE2} | Block Erase Time (64K Bytes) | | 0.5 | 3 | s |
| t _{CE} | Chip Erase Time (GD25WQ128E) | | 100 | 250 | s |

Note:

1. Typical value at T = 25°C.
2. Value guaranteed by design and/or characterization, not 100% tested in production.



(T=-40°C~105°C, VCC=1.65~3.6V, CL=30pf)

| Symbol | Parameter | Min. | Typ. | Max. | Unit. |
|-------------------|--|-------------------------------|------|------|-------|
| F _{C1} | Serial Clock Frequency For: all commands except Read (03H), DC=1 on 2.3-3.6V power supply | | | 84 | MHz |
| F _{C2} | Serial Clock Frequency For: all commands except Read (03H), DC=1 on 1.65-2.3V power supply | | | 60 | MHz |
| f _C | Serial Clock Frequency For: all commands except Read (03H), DC=0 | | | 50 | MHz |
| f _R | Serial Clock Frequency For: Read (03H) | | | 50 | MHz |
| t _{CLH} | Serial Clock High Time | 45% (1/f _C MAX) | | | ns |
| t _{CLL} | Serial Clock Low Time | 45% (1/f _C MAX) | | | ns |
| t _{CLCH} | Serial Clock Rise Time (Slew Rate) | 0.2 | | | V/ns |
| t _{CHCL} | Serial Clock Fall Time (Slew Rate) | 0.2 | | | V/ns |
| t _{SLCH} | CS# Active Setup Time | 10 | | | ns |
| t _{CHSH} | CS# Active Hold Time | 10 | | | ns |
| t _{SHCH} | CS# Not Active Setup Time | 10 | | | ns |
| t _{CHSL} | CS# Not Active Hold Time | 10 | | | ns |
| t _{SHSL} | CS# High Time (Read/Write) | 40 | | | ns |
| t _{SHQZ} | Output Disable Time | | | 12 | ns |
| t _{CLQX} | Output Hold Time | 1.2 | | | ns |
| t _{DVCH} | Data In Setup Time | 4 | | | ns |
| t _{CHDX} | Data In Hold Time | 4 | | | ns |
| t _{HLCH} | HOLD# Low Setup Time (Relative To Clock) | 5 | | | ns |
| t _{HHCH} | HOLD# High Setup Time (Relative To Clock) | 5 | | | ns |
| t _{CHHH} | HOLD# Low Hold Time (Relative To Clock) | 5 | | | ns |
| t _{CHHL} | HOLD# High Hold Time (Relative To Clock) | 5 | | | ns |
| t _{HLQZ} | HOLD# Low To High-Z Output | | | 10 | ns |
| t _{HHQX} | HOLD# High To Low-Z Output | | | 10 | ns |
| t _{CLQV} | Clock Low To Output Valid (VCC=1.65~2.3V) | | | 12 | ns |
| | Clock Low To Output Valid (VCC=2.3~3.6V) | | | 8 | ns |
| t _{WHSL} | Write Protect Setup Time Before CS# Low | 20 | | | ns |
| t _{SHWL} | Write Protect Hold Time After CS# High | 100 | | | ns |
| t _{DP} | CS# High To Deep Power-Down Mode | | | 3 | μs |
| t _{RES1} | CS# High To Standby Mode Without Electronic Signature Read | | | 30 | μs |
| t _{RES2} | CS# High To Standby Mode With Electronic Signature Read | | | 30 | μs |
| t _{SUS} | CS# High To Next Command After Suspend | | | 40 | μs |
| t _{RS} | Latency Between Resume And Next Suspend | 100 | | | μs |



| | | | | | |
|--------------------|--|--|-----|-----|----|
| t _{RST} | CS# High To Next Command After Reset (Except From Erase) | | | 40 | μs |
| t _{RST_E} | CS# High To Next Command After Reset (From Erase) | | | 25 | ms |
| t _w | Write Status Register Cycle Time | | 5 | 30 | ms |
| t _{BP1} | Byte Program Time (First Byte) | | 65 | 240 | μs |
| t _{BP2} | Additional Byte Program Time (After First Byte) | | 5 | 60 | μs |
| t _{PP} | Page Programming Time | | 1 | 8 | ms |
| t _{SE} | Sector Erase Time | | 100 | 800 | ms |
| t _{BE1} | Block Erase Time (32K Bytes) | | 0.3 | 3 | s |
| t _{BE2} | Block Erase Time (64K Bytes) | | 0.5 | 6 | s |
| t _{CE} | Chip Erase Time (GD25WQ128E) | | 100 | 500 | s |

Note:

1. Typical value at T = 25°C.
2. Value guaranteed by design and/or characterization, not 100% tested in production.



(T=-40°C~125°C, VCC=1.65~3.6V, CL=30pf)

| Symbol | Parameter | Min. | Typ. | Max. | Unit. |
|-------------------|--|-------------------------------|------|------|-------|
| F _{C1} | Serial Clock Frequency For: all commands except Read (03H), DC=1 on 2.3-3.6V power supply | | | 84 | MHz |
| F _{C2} | Serial Clock Frequency For: all commands except Read (03H), DC=1 on 1.65-2.3V power supply | | | 60 | MHz |
| f _C | Serial Clock Frequency For: all commands except Read (03H), DC=0 | | | 50 | MHz |
| f _R | Serial Clock Frequency For: Read (03H) | | | 50 | MHz |
| t _{CLH} | Serial Clock High Time | 45% (1/f _C MAX) | | | ns |
| t _{CLL} | Serial Clock Low Time | 45% (1/f _C MAX) | | | ns |
| t _{CLCH} | Serial Clock Rise Time (Slew Rate) | 0.2 | | | V/ns |
| t _{CHCL} | Serial Clock Fall Time (Slew Rate) | 0.2 | | | V/ns |
| t _{SLCH} | CS# Active Setup Time | 10 | | | ns |
| t _{CHSH} | CS# Active Hold Time | 10 | | | ns |
| t _{SHCH} | CS# Not Active Setup Time | 10 | | | ns |
| t _{CHSL} | CS# Not Active Hold Time | 10 | | | ns |
| t _{SHSL} | CS# High Time (Read/Write) | 40 | | | ns |
| t _{SHQZ} | Output Disable Time | | | 12 | ns |
| t _{CLQX} | Output Hold Time | 1.2 | | | ns |
| t _{DVCH} | Data In Setup Time | 4 | | | ns |
| t _{CHDX} | Data In Hold Time | 4 | | | ns |
| t _{HLCH} | HOLD# Low Setup Time (Relative To Clock) | 5 | | | ns |
| t _{HHCH} | HOLD# High Setup Time (Relative To Clock) | 5 | | | ns |
| t _{CHHH} | HOLD# Low Hold Time (Relative To Clock) | 5 | | | ns |
| t _{CHHL} | HOLD# High Hold Time (Relative To Clock) | 5 | | | ns |
| t _{HLQZ} | HOLD# Low To High-Z Output | | | 10 | ns |
| t _{HHQX} | HOLD# High To Low-Z Output | | | 10 | ns |
| t _{CLQV} | Clock Low To Output Valid (VCC=1.65~2.3V) | | | 12 | ns |
| | Clock Low To Output Valid (VCC=2.3~3.6V) | | | 8 | ns |
| t _{WHSL} | Write Protect Setup Time Before CS# Low | 20 | | | ns |
| t _{SHWL} | Write Protect Hold Time After CS# High | 100 | | | ns |
| t _{DP} | CS# High To Deep Power-Down Mode | | | 3 | μs |
| t _{RES1} | CS# High To Standby Mode Without Electronic Signature Read | | | 30 | μs |
| t _{RES2} | CS# High To Standby Mode With Electronic Signature Read | | | 30 | μs |
| t _{SUS} | CS# High To Next Command After Suspend | | | 40 | μs |
| t _{RS} | Latency Between Resume And Next Suspend | 100 | | | μs |



| | | | | | |
|--------------|--|--|-----|------|---------|
| t_{RST} | CS# High To Next Command After Reset (Except From Erase) | | | 40 | μs |
| t_{RST_E} | CS# High To Next Command After Reset (From Erase) | | | 25 | ms |
| t_w | Write Status Register Cycle Time | | 5 | 30 | ms |
| t_{BP1} | Byte Program Time (First Byte) | | 65 | 240 | μs |
| t_{BP2} | Additional Byte Program Time (After First Byte) | | 5 | 60 | μs |
| t_{PP} | Page Programming Time | | 1 | 8 | ms |
| t_{SE} | Sector Erase Time | | 100 | 1200 | ms |
| t_{BE1} | Block Erase Time (32K Bytes) | | 0.3 | 3 | s |
| t_{BE2} | Block Erase Time (64K Bytes) | | 0.5 | 6 | s |
| t_{CE} | Chip Erase Time (GD25WQ128E) | | 100 | 500 | s |

Note:

1. Typical value at T = 25°C.
2. Value guaranteed by design and/or characterization, not 100% tested in production.

Figure 39. Input Timing

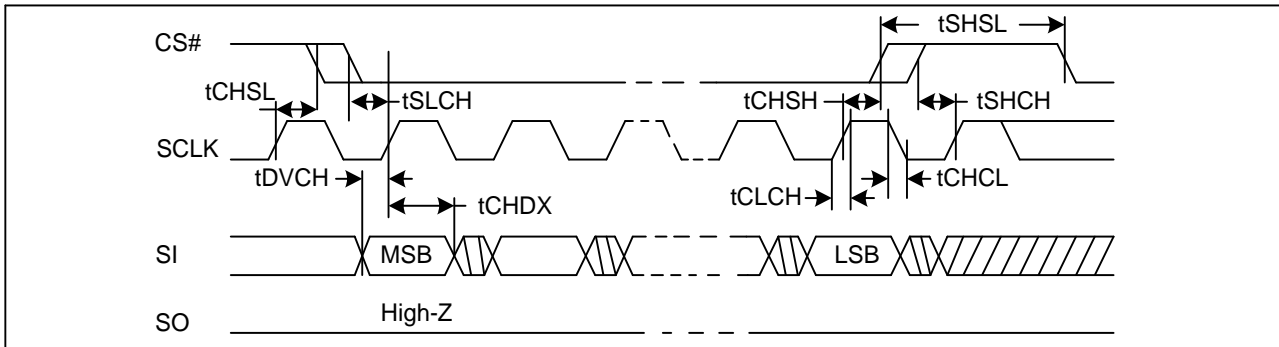


Figure 40. Output Timing

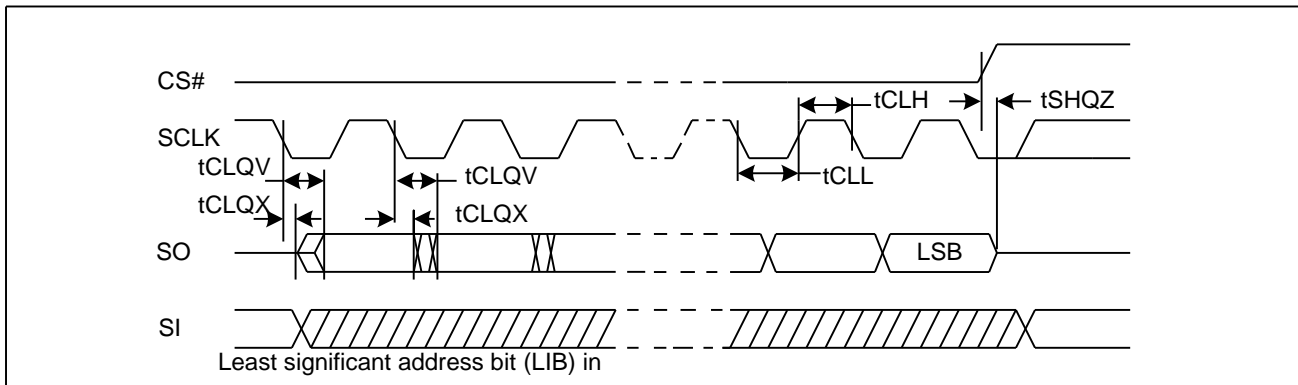




Figure 41. Resume to Suspend Timing Diagram

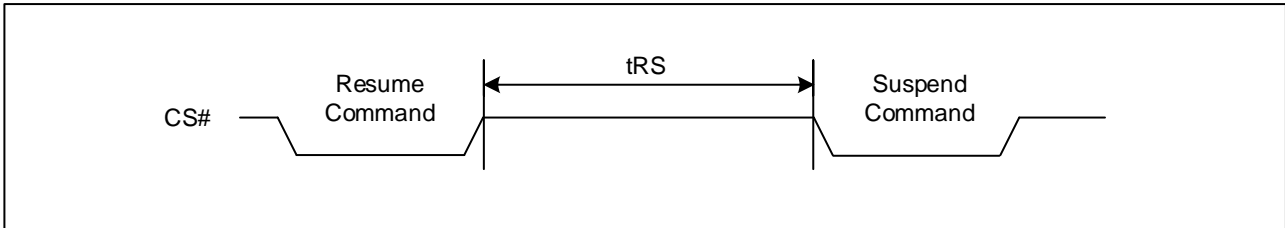


Figure 42. Hold Timing

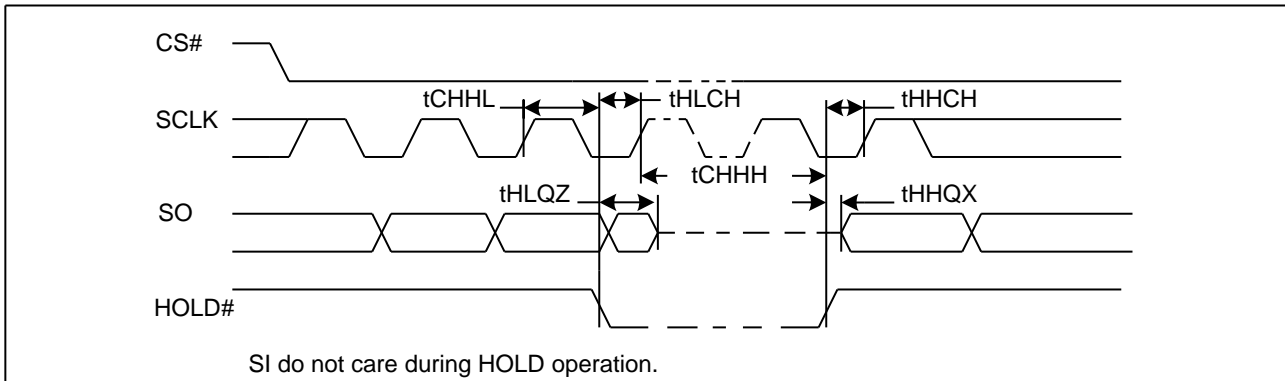


Figure 43 RESET Timing

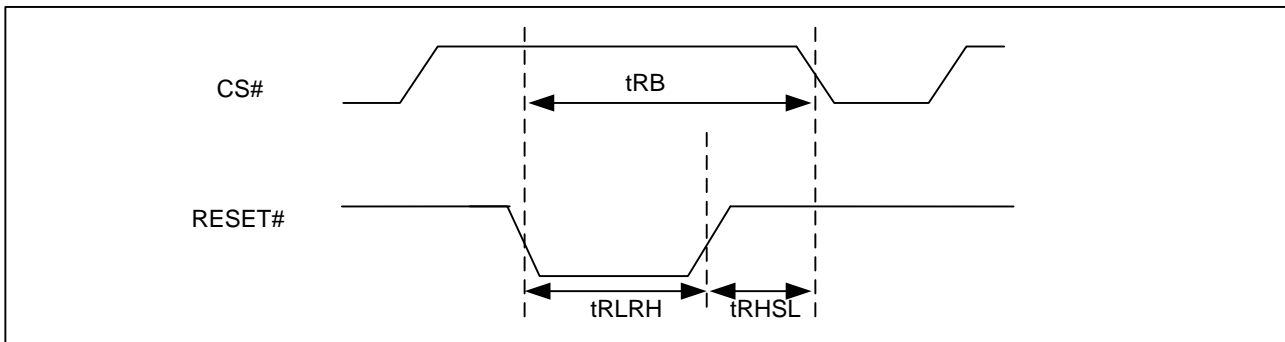


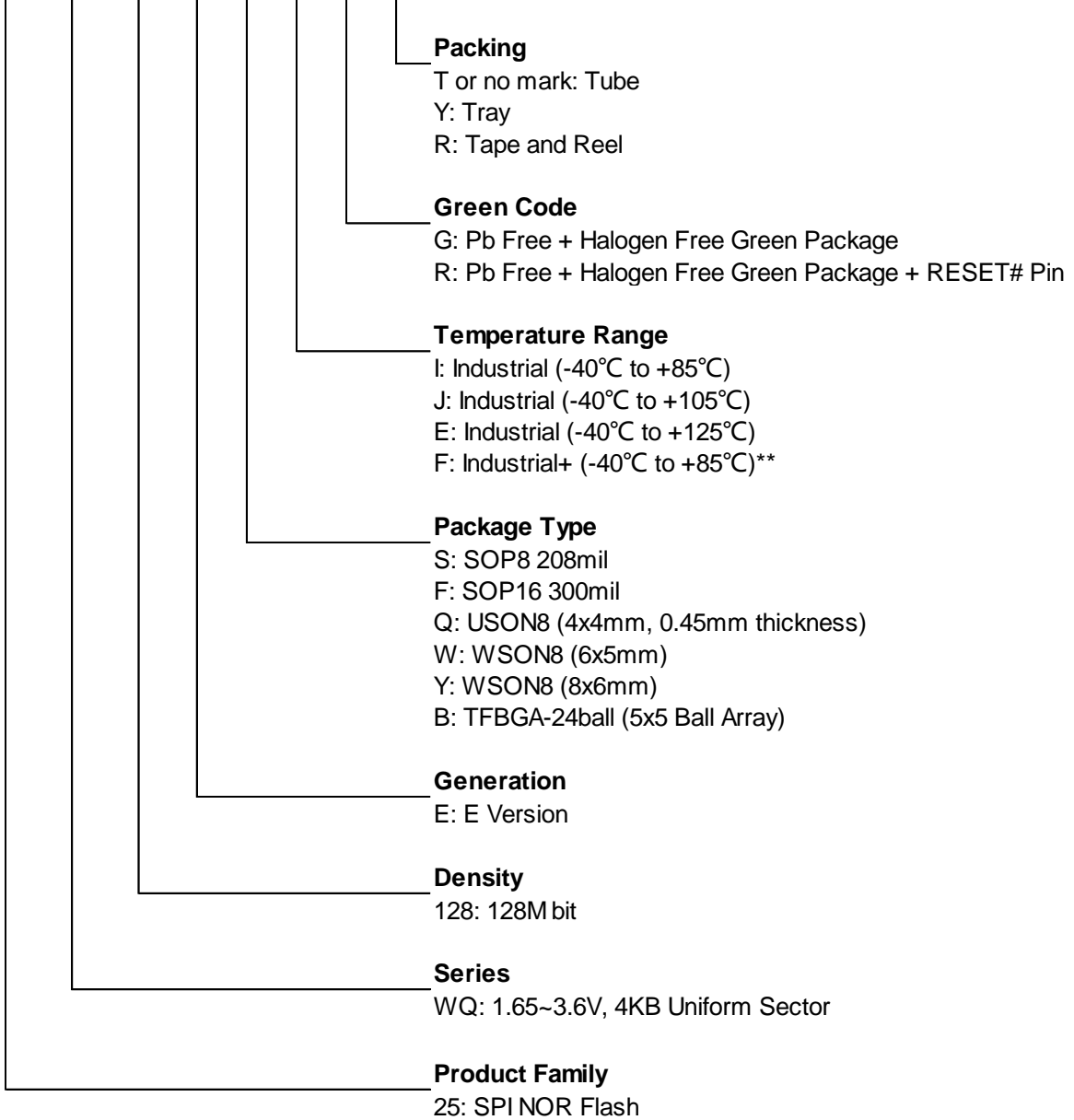
Table 13 Reset Timing

| Symbol | Parameter | Min. | Typ. | Max. | Unit. |
|--------|-----------------------------|------|------|------|-------|
| tRLRH | Reset Pulse Width | 1 | | | μs |
| tRHSL | Reset High Time Before Read | 50 | | | ns |
| tRB | Reset Recovery Time | | | 12 | ms |



9 ORDERING INFORMATION

GD XX XX XX X X X X X



****F grade has implemented additional test flows to ensure higher product quality than I grade.**



9.1 Valid Part Numbers

Please contact GigaDevice regional sales for the latest product selection and available form factors.

Temperature Range I: Industrial (-40°C to +85°C)

| Product Number | Density | Package Type |
|----------------|---------|---------------------------------|
| GD25WQ128ESIG | 128Mbit | SOP8 208mil |
| GD25WQ128EFIG | 128Mbit | SOP16 300mil |
| GD25WQ128EFIR | | |
| GD25WQ128EQIG | 128Mbit | USON8 (4x4mm, 0.45mm thickness) |
| GD25WQ128EWIG | 128Mbit | WSON8 (6x5mm) |
| GD25WQ128EYIG | 128Mbit | WSON8 (8x6mm) |
| GD25WQ128EBIG | 128Mbit | TFBGA-24ball (5x5 Ball Array) |
| GD25WQ128EBIR | | |

Temperature Range J: Industrial (-40°C to +105°C)

| Product Number | Density | Package Type |
|----------------|---------|---------------------------------|
| GD25WQ128ESJG | 128Mbit | SOP8 208mil |
| GD25WQ128EFJG | 128Mbit | SOP16 300mil |
| GD25WQ128EFJR | | |
| GD25WQ128EQJG | 128Mbit | USON8 (4x4mm, 0.45mm thickness) |
| GD25WQ128EWJG | 128Mbit | WSON8 (6x5mm) |
| GD25WQ128EYJG | 128Mbit | WSON8 (8x6mm) |
| GD25WQ128EBJG | 128Mbit | TFBGA-24ball (5x5 Ball Array) |
| GD25WQ128EBJR | | |

Temperature Range E: Industrial (-40°C to +125°C)

| Product Number | Density | Package Type |
|----------------|---------|---------------------------------|
| GD25WQ128ESEG | 128Mbit | SOP8 208mil |
| GD25WQ128EFEG | 128Mbit | SOP16 300mil |
| GD25WQ128EFER | | |
| GD25WQ128EQEG | 128Mbit | USON8 (4x4mm, 0.45mm thickness) |
| GD25WQ128EWEG | 128Mbit | WSON8 (6x5mm) |
| GD25WQ128EYEG | 128Mbit | WSON8 (8x6mm) |
| GD25WQ128EBEG | 128Mbit | TFBGA-24ball (5x5 Ball Array) |
| GD25WQ128EBER | | |



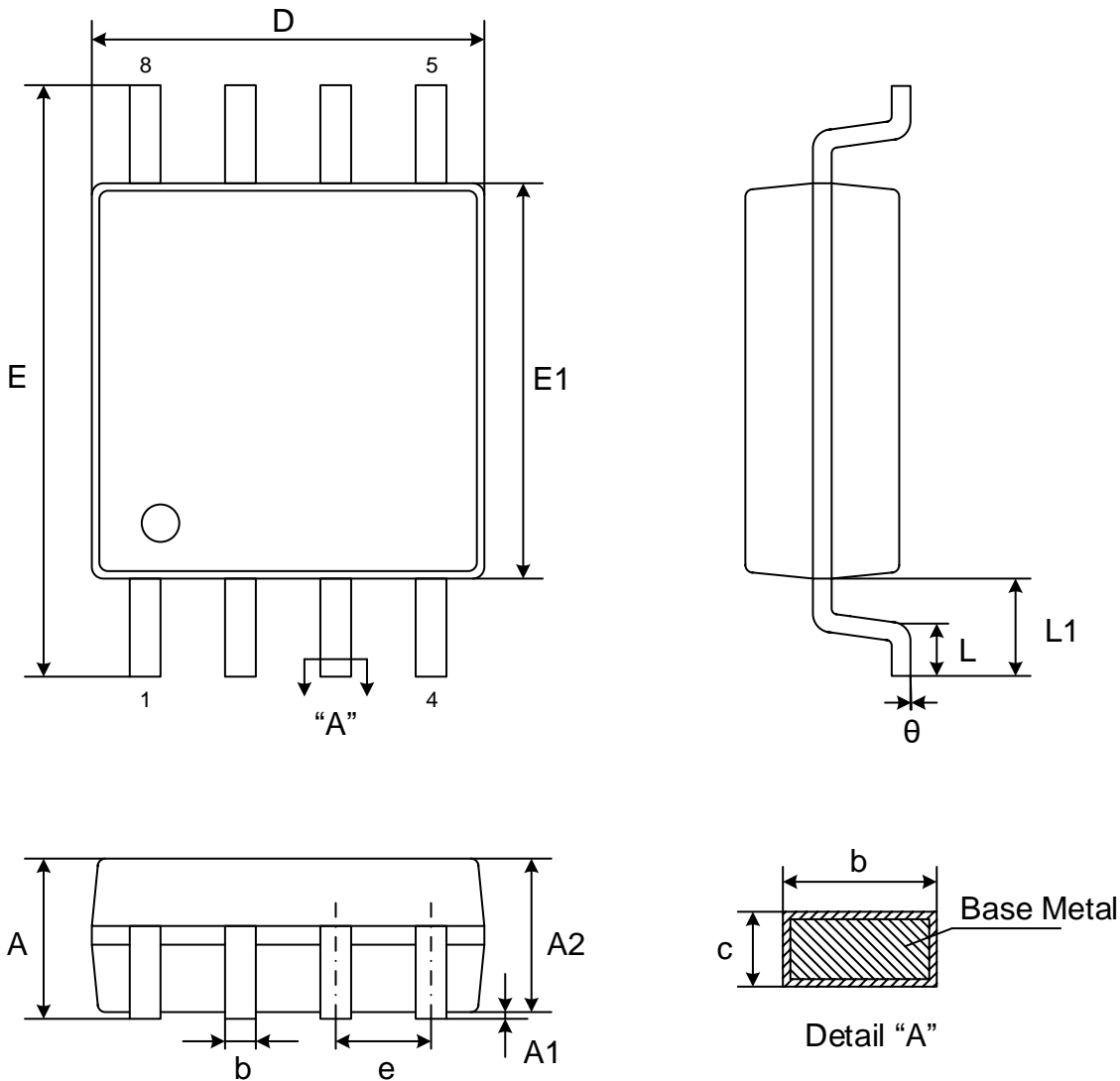
Temperature Range F: Industrial+ (-40°C to +85°C)

| Product Number | Density | Package Type |
|----------------|---------|---------------------------------|
| GD25WQ128ESFG | 128Mbit | SOP8 208mil |
| GD25WQ128EFFG | 128Mbit | SOP16 300mil |
| GD25WQ128EFFR | | |
| GD25WQ128EQFG | 128Mbit | USON8 (4x4mm, 0.45mm thickness) |
| GD25WQ128EWFG | 128Mbit | WSON8 (6x5mm) |
| GD25WQ128EYFG | 128Mbit | WSON8 (8x6mm) |
| GD25WQ128EBFG | 128Mbit | TFBGA-24ball (5x5 Ball Array) |
| GD25WQ128EBFR | | |



10 PACKAGE INFORMATION

10.1 Package SOP8 208MIL



Dimensions

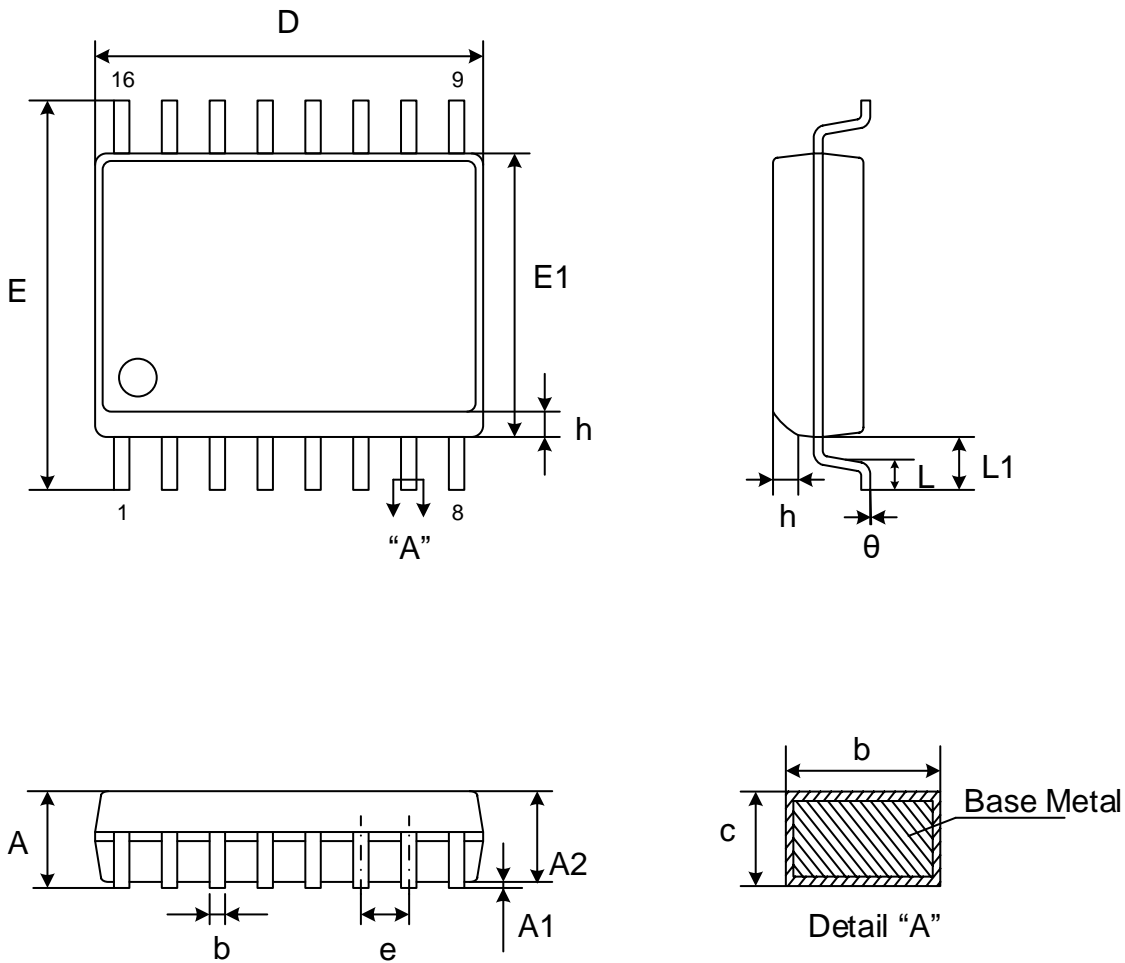
| Symbol | A | A1 | A2 | b | c | D | E | E1 | e | L | L1 | θ | |
|--------|-----|------|------|------|------|------|------|------|------|------|------|----------|----|
| Unit | | | | | | | | | | | | | |
| mm | Min | - | 0.05 | 1.70 | 0.31 | 0.15 | 5.13 | 7.70 | 5.18 | 1.27 | 0.50 | 1.31 | 0° |
| | Nom | - | 0.15 | 1.80 | 0.41 | 0.20 | 5.23 | 7.90 | 5.28 | | - | | - |
| | Max | 2.16 | 0.25 | 1.90 | 0.51 | 0.25 | 5.33 | 8.10 | 5.38 | | 0.85 | | 8° |

Note:

- Both the package length and width do not include the mold flash.
- Seating plane: Max. 0.1mm.



10.2 Package SOP16 300MIL



Dimensions

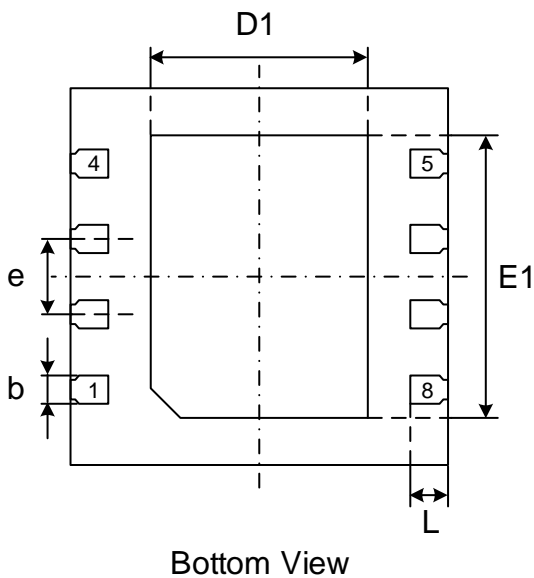
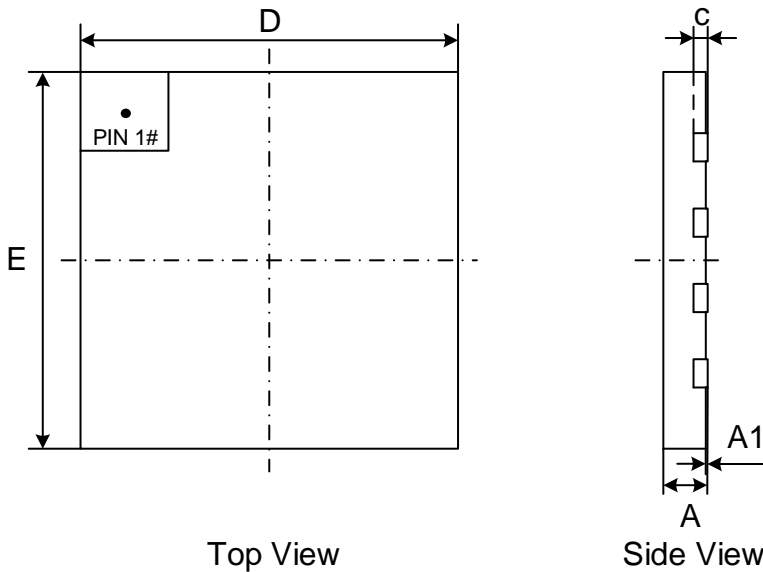
| Symbol | | A | A1 | A2 | b | c | D | E | E1 | e | L | L1 | h | θ | |
|--------|-----|------|------|------|------|------|-------|-------|------|------|------|------|------|----------|---|
| Unit | | | | | | | | | | | | | | | |
| mm | Min | - | 0.10 | 2.05 | 0.31 | 0.10 | 10.20 | 10.10 | 7.40 | 1.27 | 0.40 | 1.40 | 0.25 | 0 | |
| | Nom | - | 0.20 | - | 0.41 | 0.25 | 10.30 | 10.30 | 7.50 | | - | | - | - | - |
| | Max | 2.65 | 0.30 | 2.55 | 0.51 | 0.33 | 10.40 | 10.50 | 7.60 | | 1.27 | | 0.75 | 8 | |

Note:

- Both the package length and width do not include the mold flash.
- Seating plane: Max. 0.1mm.



10.3 Package USON8 (4x4mm, 0.45mm thickness)



Dimensions

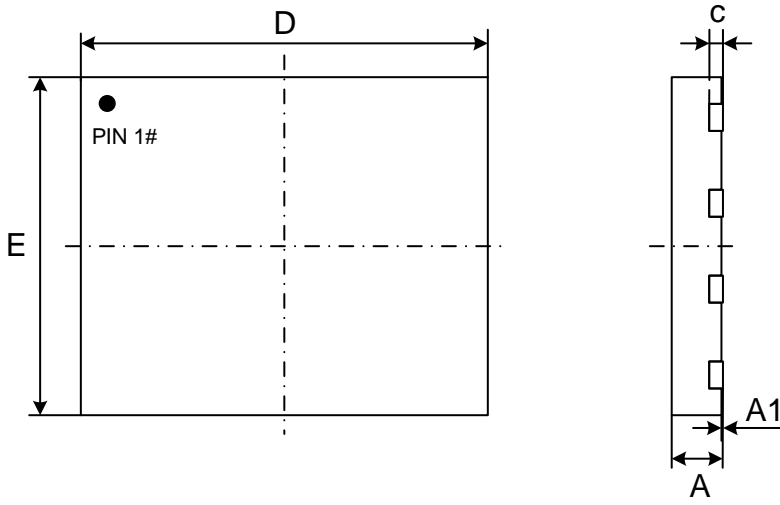
| Symbol | | A | A1 | c | b | D | D1 | E | E1 | e | L |
|--------|-----|------|------|------|------|------|------|------|------|------|------|
| Unit | | | | | | | | | | | |
| mm | Min | 0.40 | 0.00 | 0.10 | 0.25 | 3.90 | 2.20 | 3.90 | 2.90 | 0.80 | 0.35 |
| | Nom | 0.45 | 0.02 | 0.15 | 0.30 | 4.00 | 2.30 | 4.00 | 3.00 | | 0.40 |
| | Max | 0.50 | 0.05 | 0.20 | 0.35 | 4.10 | 2.40 | 4.10 | 3.10 | | 0.45 |

Note:

- Both the package length and width do not include the mold flash.
- The exposed metal pad area on the bottom of the package is floating.
- Coplanarity $\leq 0.08\text{mm}$. Package edge tolerance $\leq 0.10\text{mm}$.
- The lead shape may be of little difference according to different package factories. These lead shapes are compatible with each other

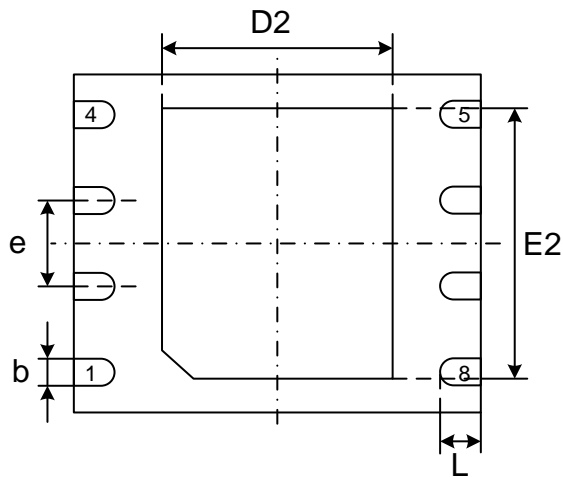


10.4 Package WSON8 (6x5mm)



Top View

Side View



Bottom View

Dimensions

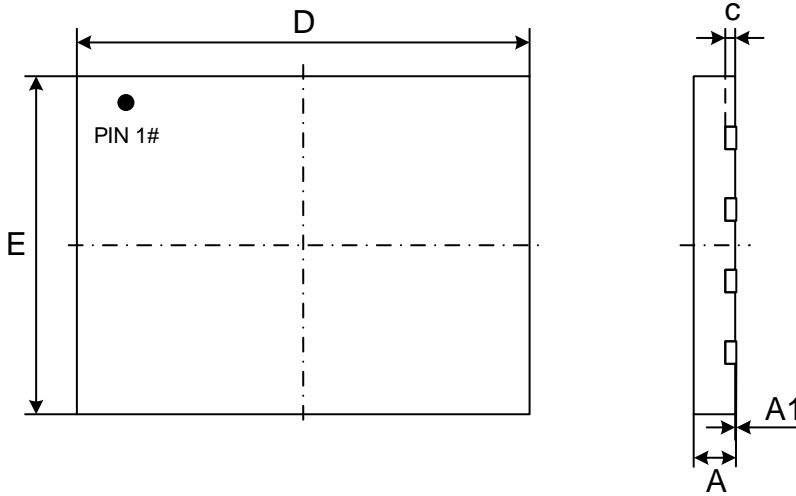
| Symbol | | A | A1 | c | b | D | D2 | E | E2 | e | L |
|--------|-----|------|------|-------|------|------|------|------|------|------|------|
| Unit | | | | | | | | | | | |
| mm | Min | 0.70 | 0.00 | 0.180 | 0.35 | 5.90 | 3.30 | 4.90 | 3.90 | 1.27 | 0.50 |
| | Nom | 0.75 | 0.02 | 0.203 | 0.40 | 6.00 | 3.40 | 5.00 | 4.00 | | 0.60 |
| | Max | 0.80 | 0.05 | 0.250 | 0.50 | 6.10 | 3.50 | 5.10 | 4.10 | | 0.75 |

Note:

- Both the package length and width do not include the mold flash.
- The exposed metal pad area on the bottom of the package is floating.
- Coplanarity $\leq 0.08\text{mm}$. Package edge tolerance $\leq 0.10\text{mm}$.
- The lead shape may be of little difference according to different package lead frames. These lead shapes are compatible with each other.

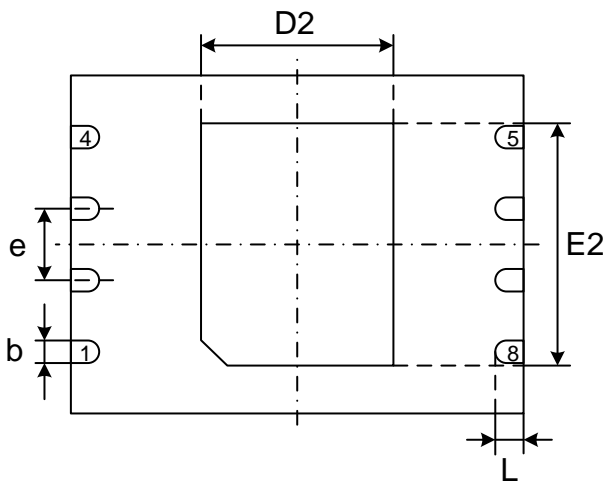


10.5 Package WSON8 (8x6mm)



Top View

Side View



Bottom View

Dimensions

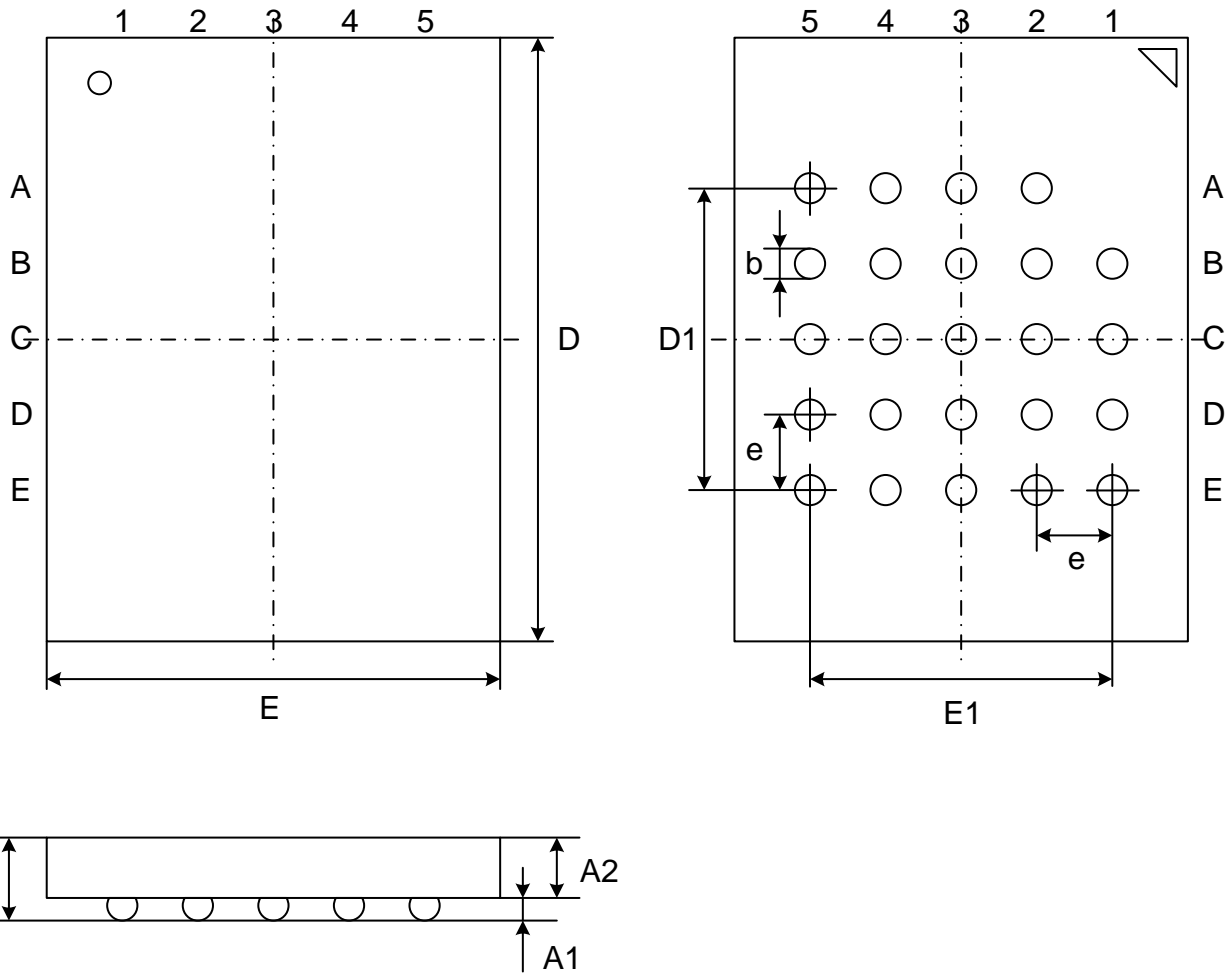
| Symbol | | A | A1 | c | b | D | D2 | E | E2 | e | L |
|--------|-----|------|------|-------|------|------|------|------|------|------|------|
| Unit | | | | | | | | | | | |
| mm | Min | 0.70 | 0.00 | 0.180 | 0.35 | 7.90 | 3.30 | 5.90 | 4.20 | 1.27 | 0.45 |
| | Nom | 0.75 | 0.02 | 0.203 | 0.40 | 8.00 | 3.40 | 6.00 | 4.30 | | 0.50 |
| | Max | 0.80 | 0.05 | 0.250 | 0.45 | 8.10 | 3.50 | 6.10 | 4.40 | | 0.55 |

Note:

- Both the package length and width do not include the mold flash.
- The exposed metal pad area on the bottom of the package is floating.
- Coplanarity $\leq 0.08\text{mm}$. Package edge tolerance $\leq 0.10\text{mm}$.
- The lead shape may be of little difference according to different package lead frames. These lead shapes are compatible with each other.



10.6 Package TFBGA-24BALL (5x5 ball array)



Dimensions

| Symbol | | A | A1 | A2 | b | E | E1 | D | D1 | e |
|--------|-----|------|------|------|------|------|------|------|------|------|
| Unit | | | | | | | | | | |
| mm | Min | - | 0.25 | 0.75 | 0.35 | 5.90 | 4.00 | 7.90 | 4.00 | 1.00 |
| | Nom | - | 0.30 | 0.80 | 0.40 | 6.00 | | 8.00 | | |
| | Max | 1.20 | 0.35 | 0.85 | 0.45 | 6.10 | | 8.10 | | |

Note: Both the package length and width do not include the mold flash.



11 REVISION HISTORY

| Version No | Description | Page | Date |
|------------|--|---------------|-----------|
| 1.0 | Initial release | All | 2019-9-25 |
| 1.1 | Add ICC4~8 typical value Add DC/AC parameters @ -40 to 105°C and @ -40 to 125°C | P42 P42~50 | 2020-4-15 |
| 1.2 | Modify "1/Fc" to "1/fc _{MAX} " Modify t _{CLQV} into two voltage range:"1.65-2.3V", "2.3-3.6V" | P44, P46, P48 | 2021-9-26 |