

4

3

2

1

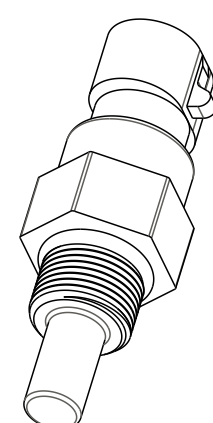
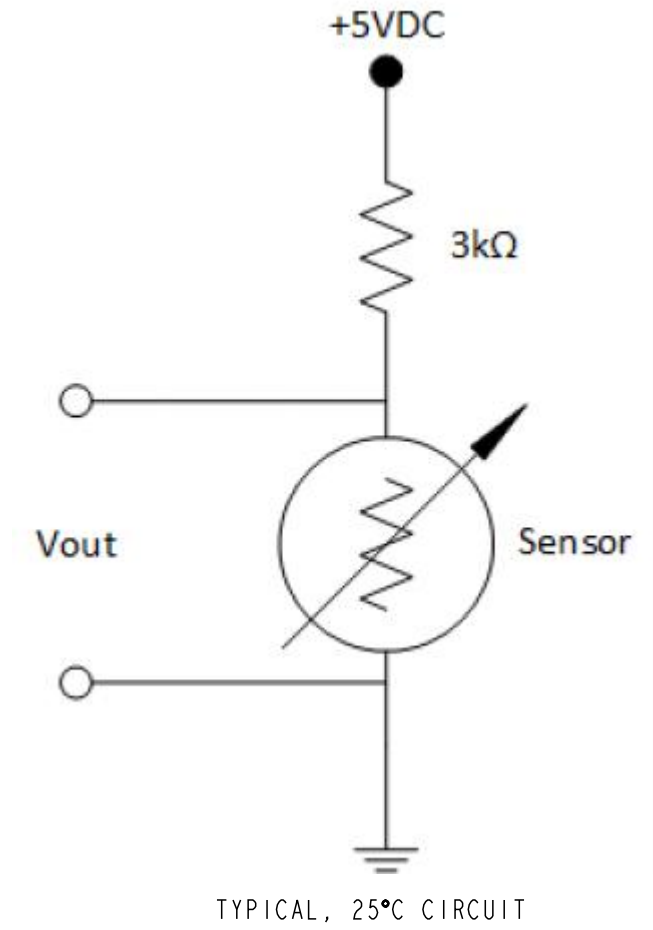
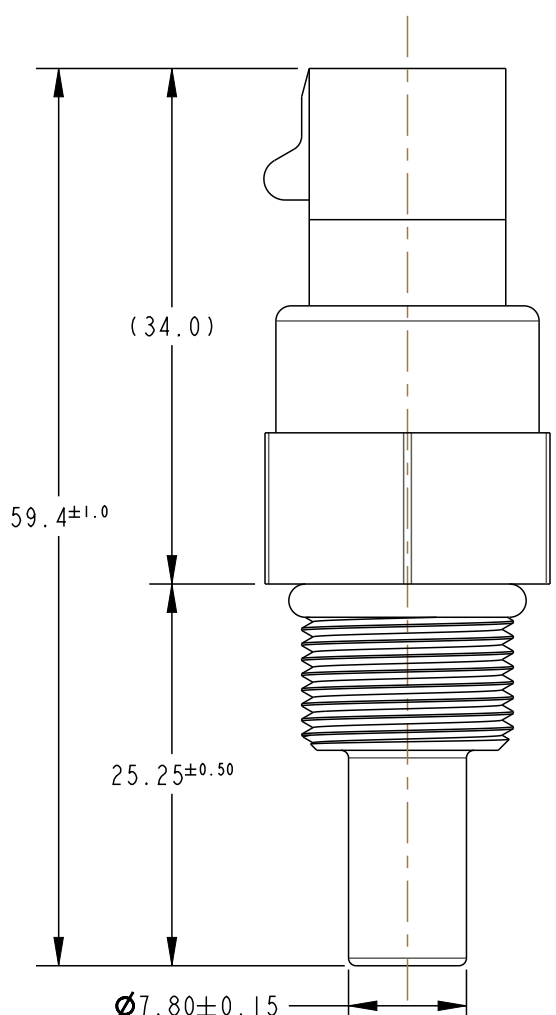
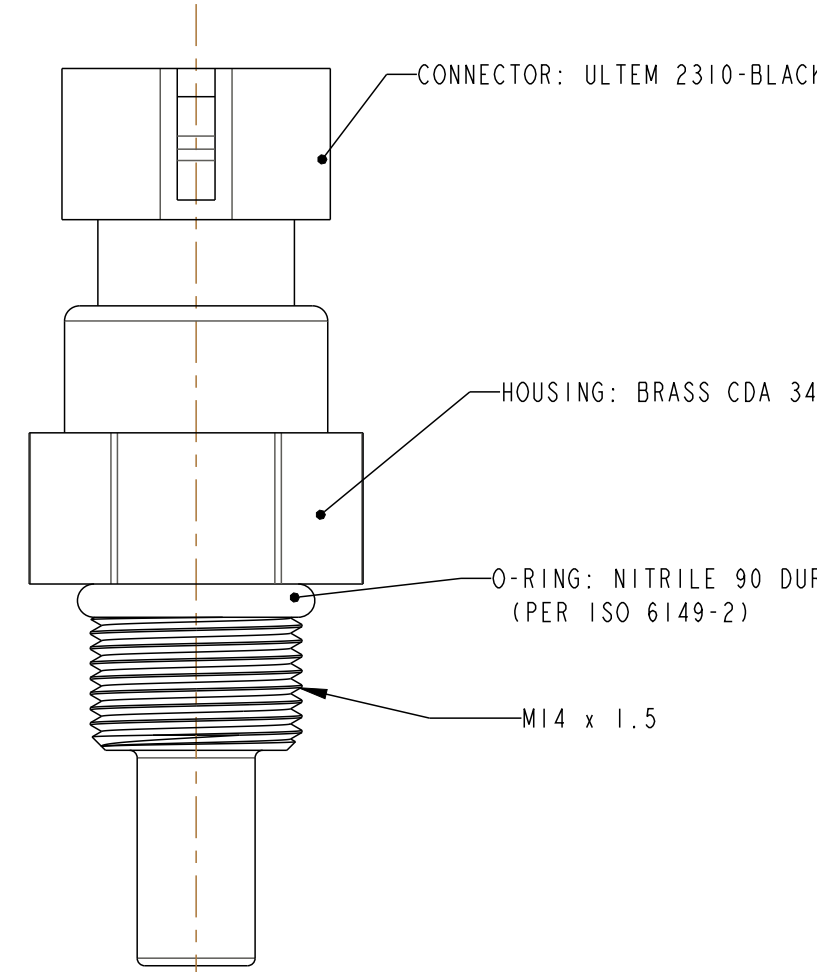
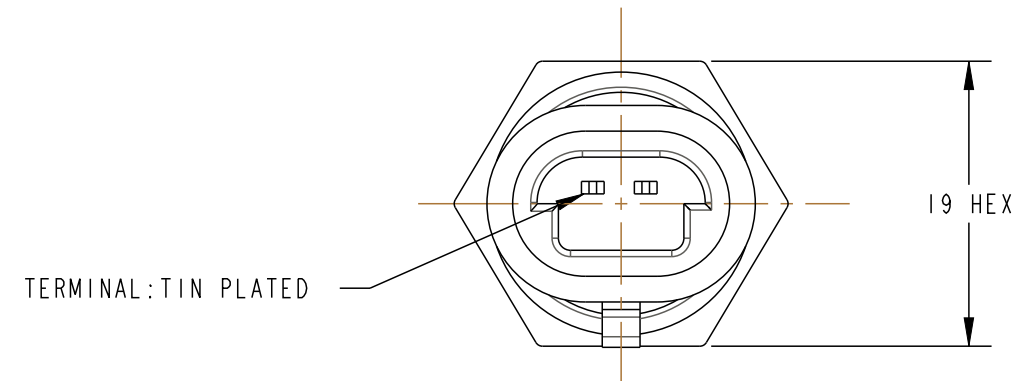
PROPRIETARY NOTICE: THE INFORMATION CONTAINED IN THIS DOCUMENT IS PROPRIETARY TO AMPHENOL AND SHALL NOT BE DISCLOSED IN WHOLE OR IN PART IN ANY FORM OR FOR ANY REASON EXCEPT AS EXPRESSLY STATED IN WRITING BY AMPHENOL.

NOTES:

1. CONTINUOUS OPERATING TEMPERATURE -40 TO 150 DEGREES CELCIUS.
2. CONNECTOR: METRI-PACK 150.2 OR GT150 3.5mm (MATING APTIV(DELPHI) PART NUMBER: 12162193,15336004 OR EQUIVILANT)
3. VOLTAGE: 5V

TEMP (°C)	RESISTANCE (OHMS)	RES TOL (+%)	RES TOL (-%)
-40	101770	5.74	9.27
25	2820	5.15	4.86
50	988.1	NOMINAL	
100	179.6	2.82	2.51
125	89.11	2.96	3.46

REVISIONS			
REV	REVISION HISTORY	DATE	DWN APVD
A	INITIAL DRAFT	11/21/17	DAM
B	UPDATED TOL'S & RES-TABLE, REVISED NOTES & ULTEM ADDED TERMINAL O-RING & CIRCUIT NOTES	1/29/19	MED STS
C	UPDATED NOTES & RES TBL. ULTEM 2300-BLACK WAS ULTEM 2300. 59.4 +/- 1.0 WAS 59.35 +/- 1.0, 25.3 +/- .5 WAS 25.25 +/- .5	5/31/19	MED STS



SCALE 1:1

Amphenol
Advanced Sensors St. Marys, PA 15857

TITLE: FLUID TEMPERATURE SENSOR

UNLESS OTHERWISE SPECIFIED DIMENSIONS ARE IN MM TOLERANCES ARE: .X ± 0.5 .XX ± 0.25	APPROVALS	DATE
	DRAWN DAM	11/21/2017
ANGLES ± 2°	CHECKED STS	11/21/2017
	ENGR STS	11/21/2017
THIRD ANGLE PROJECTION	OC	
INTERPRET DRAWING IAW ASME Y14.5	MFG	
MATERIAL SEE DRAWING		
SIZE B	DWG NO. GE-1022	REV C
SCALE 2:1		SHEET 1 OF 1

LEGAL NOTICE - THIS DRAWING AND ANY INTELLECTUAL PROPERTY RIGHTS THERE IN ARE PROPERTY OF AMPHENOL AND NO LICENSES ARE GRANTED UNDER THOSE RIGHTS.

4

3

2

1