

4


3

2

DWG NO. SH REV
GE-1665 1 A

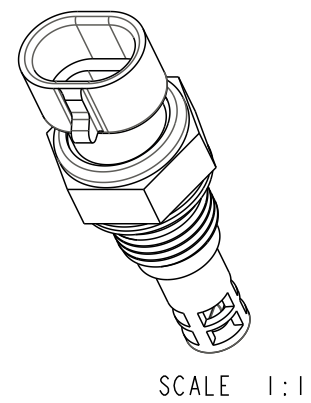
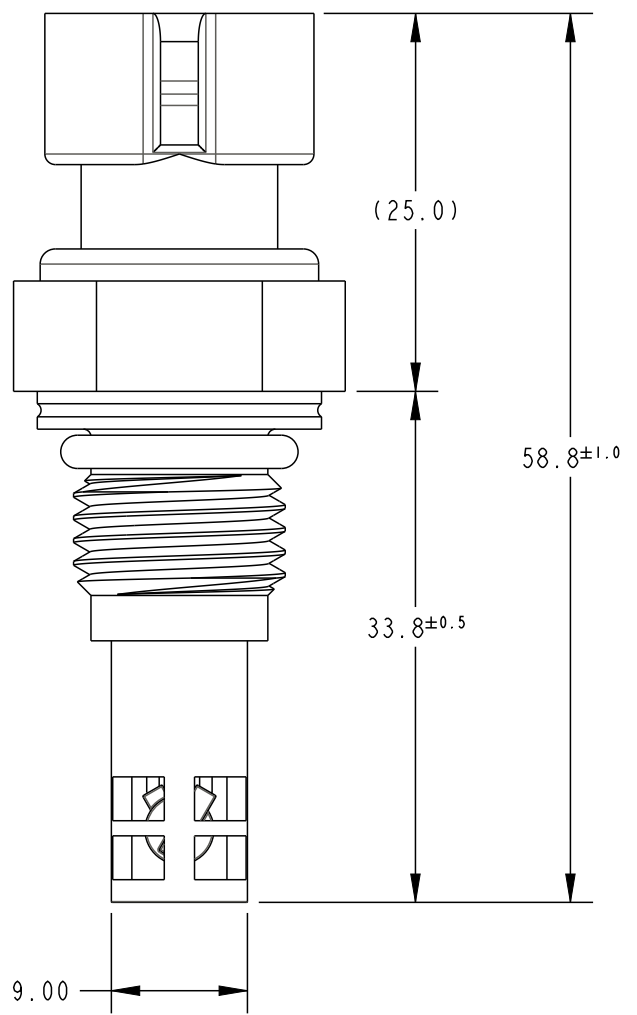
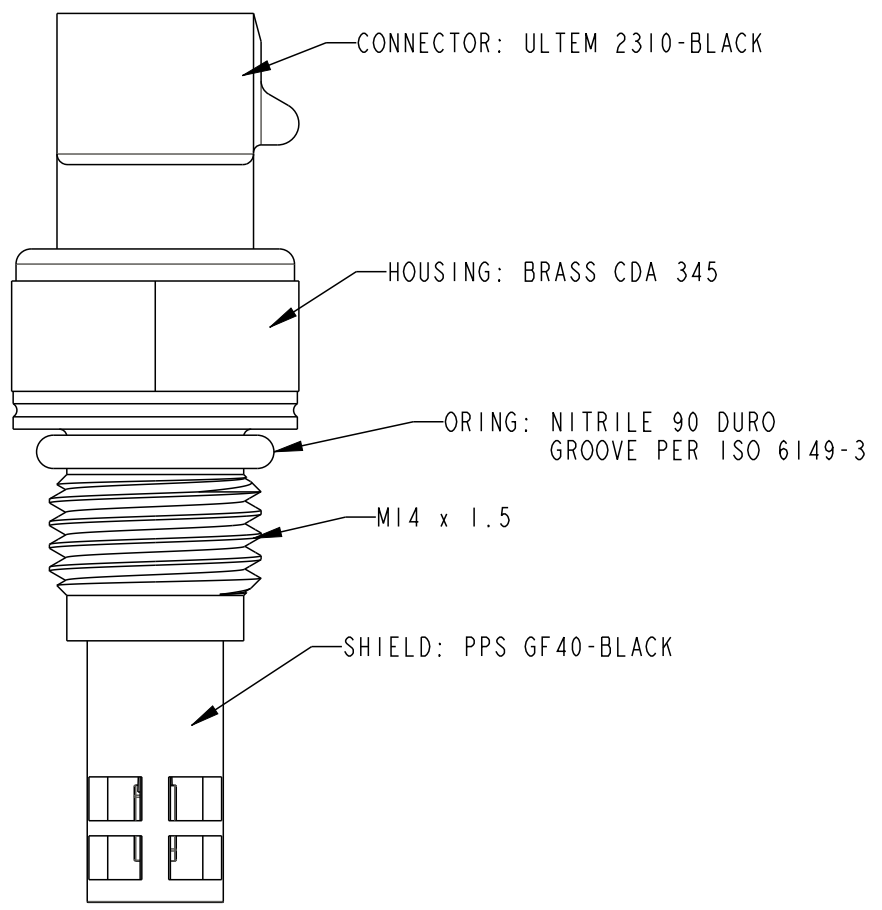
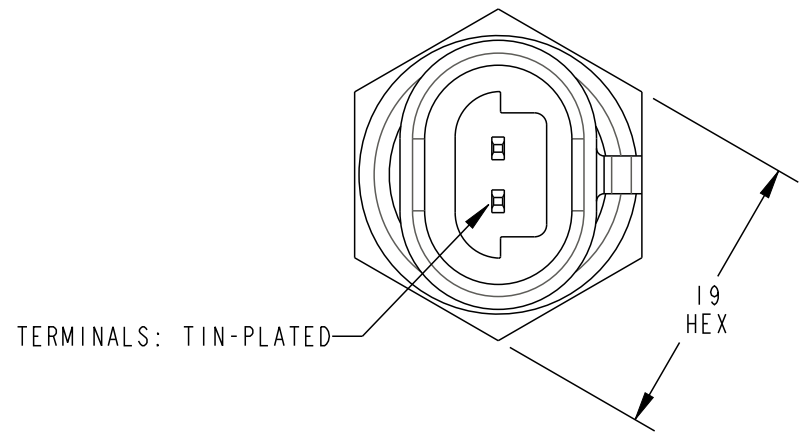
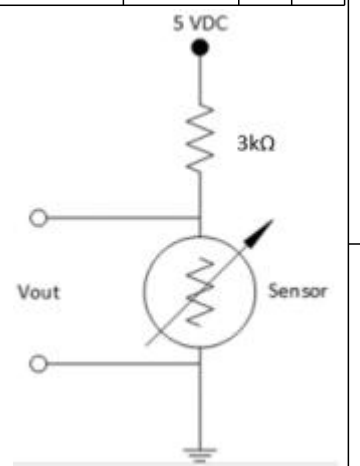
1

PROPRIETARY NOTICE: THE INFORMATION CONTAINED IN THIS DOCUMENT IS PROPRIETARY TO AMPHENOL AND SHALL NOT BE DISCLOSED IN WHOLE OR IN PART IN ANY FORM FOR ANY REASON EXCEPT AS EXPRESSLY STATED IN WRITING BY AMPHENOL.

- NOTES:
1. CONTINUOUS OPERATING TEMPERATURE: -40°C TO 150°C
 2. CONNECTOR: METRI-PACK 150.2 OR GT150 3.5mm  MATING PART (DELPHI) PART NUMBER: 12162193, 15336004 OR EQUIVALENT
 3. VOLTAGE: 5V

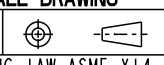
TEMP (°C)	RESISTANCE (OHMS)	RES TOL (±%)
-40°C	100865	4.67
25°C	2795	2.30
50°C	980.3	2.07
85°C	283.5	1.80
100°C	178.0	2.08
125°C	88.32	2.55
150°C	47.46	2.70

REVISIONS				
REV	REVISION HISTORY	DATE	DWN	APVD
A	INITIAL DRAFT	05/30/19	MED	STS



Amphenol
Advanced Sensors St. Marys, PA 15857

TITLE: AIR TEMPERATURE SENSOR

UNLESS OTHERWISE SPECIFIED DIMENSIONS ARE IN MM TOLERANCES ARE: .X ± 0.5 .XX ± 0.25	APPROVALS		DATE
	DRAWN	MED	05/30/19
ANGLES ± 2°	CHECKED	STS	05/30/19
	ENGR	JJD	05/30/19
THIRD ANGLE PROJECTION 	OC	MFG	
INTERPRET DRAWING IAW ASME Y14.5	MFG		
MATERIAL SEE DRAWING			
SIZE B	DWG NO. GE-1665	REV A	
SCALE 2:1	SHEET 1 OF 1		

LEGAL NOTICE - THIS DRAWING AND ANY INTELLECTUAL PROPERTY RIGHTS THERE IN ARE PROPERTY OF AMPHENOL AND NO LICENSES ARE GRANTED UNDER THOSE RIGHTS.

4

3

2

1