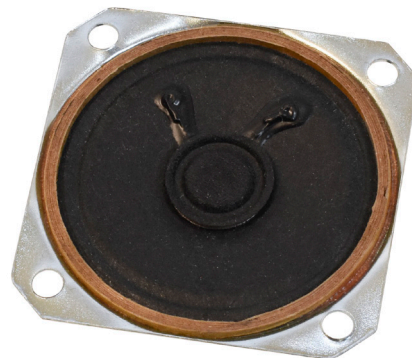


MODEL: GF0506 | **DESCRIPTION:** SPEAKER**FEATURES**

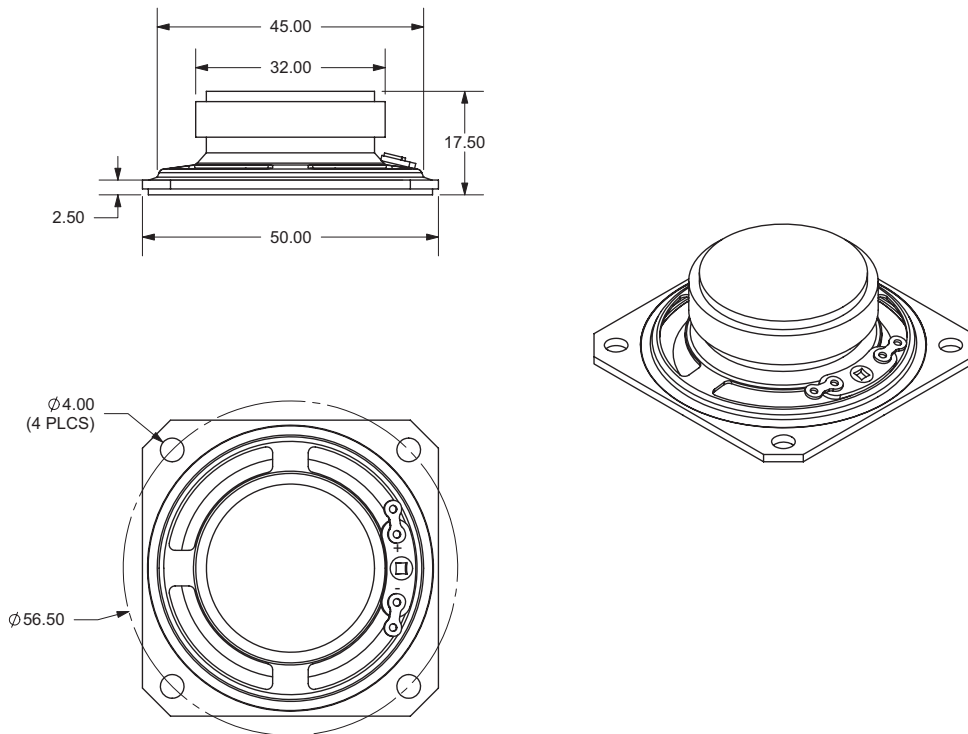
- 50 mm
- square frame
- 0.25 W
- 8 Ω impedance
- ferrite magnet
- paper cone

**SPECIFICATIONS**

parameter	conditions/description	min	typ	max	units
input power			0.25	0.5	W
impedance	at 0.8 kHz, 1.0 V	6.8	8	9.2	Ω
resonant frequency (Fo)	at 1.0 V	344	430	516	Hz
frequency response		Fo		7,200	Hz
sound pressure level	at 0.25 W, 50 cm, avg at 1.0, 1.4, 1.7, 2.0 kHz	79	82	85	dB
buzz, rattle, etc.	must be normal at sine wave			1.41	V
dimensions	50 x 50 x 17.5				mm
magnet	ferrite				
cone material	paper				
terminal	solder eyelets				
weight			54.0		g
operating temperature		-25		70	$^{\circ}$ C
hand soldering	for maximum 3 seconds	360	380	400	$^{\circ}$ C
RoHS	yes				

MECHANICAL DRAWING

units: mm
tolerance: ±0.8 mm



FREQUENCY RESPONSE CURVE

parameter	conditions/description
potentiometer range	50 dB
rectifier	RMS
lower limit frequency	20 Hz
wr. speed	100 mm/sec
zero level	60 dB

