

**MODEL:** GF0668 | **DESCRIPTION:** SPEAKER**FEATURES**

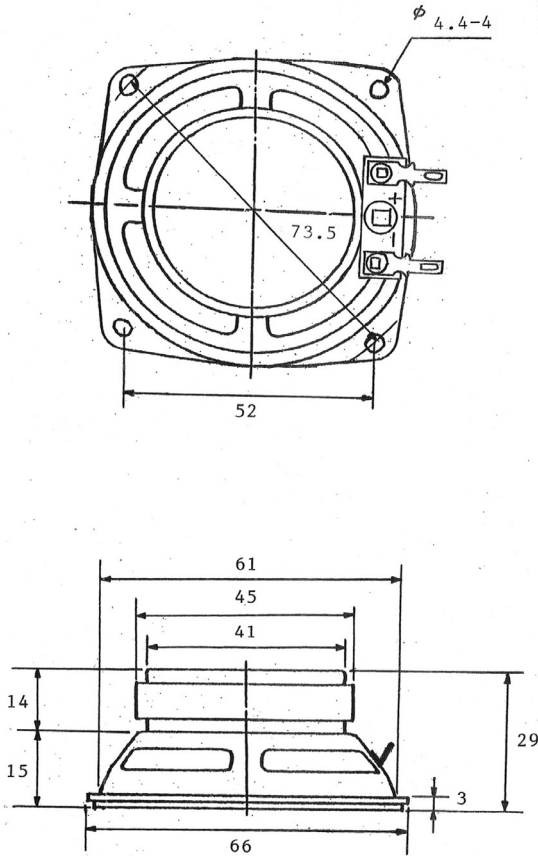
- 66 mm
- square frame
- 3.0 W
- 8  $\Omega$
- ferrite magnet
- paper cone

**SPECIFICATIONS**

parameter	conditions/description	min	typ	max	units
input power			3.0	5.0	W
impedance	at 0.8 kHz, 1.0 V	6.8	8	9.2	$\Omega$
resonant frequency (Fo)	at 1.0 V	240	300	360	Hz
frequency response		Fo		20,000	Hz
sound pressure level	at 1.0 W, 50 cm, avg at 0.5, 0.8, 1.0, 1.2 kHz	87	90	93	dB
buzz, rattle, etc.	must be normal at sine wave			4.89	V
dimensions	66 x 66 x 29				mm
magnet	ferrite				
cone material	paper				
terminal	solder eyelets				
weight			130.0		g
operating temperature		-25		70	$^{\circ}\text{C}$
hand soldering	for maximum 5 seconds	400	420	440	$^{\circ}\text{C}$
RoHS	yes				

## MECHANICAL DRAWING

units: mm  
tolerance: ±0.5 mm



## FREQUENCY RESPONSE CURVE

parameter	conditions/description
potentiometer range	50 dB
rectifier	RMS
lower limit frequency	20 Hz
wr. speed	100 mm/sec
zero level	60 dB

