

**MODEL:** GF0778B | **DESCRIPTION:** SPEAKER**FEATURES**

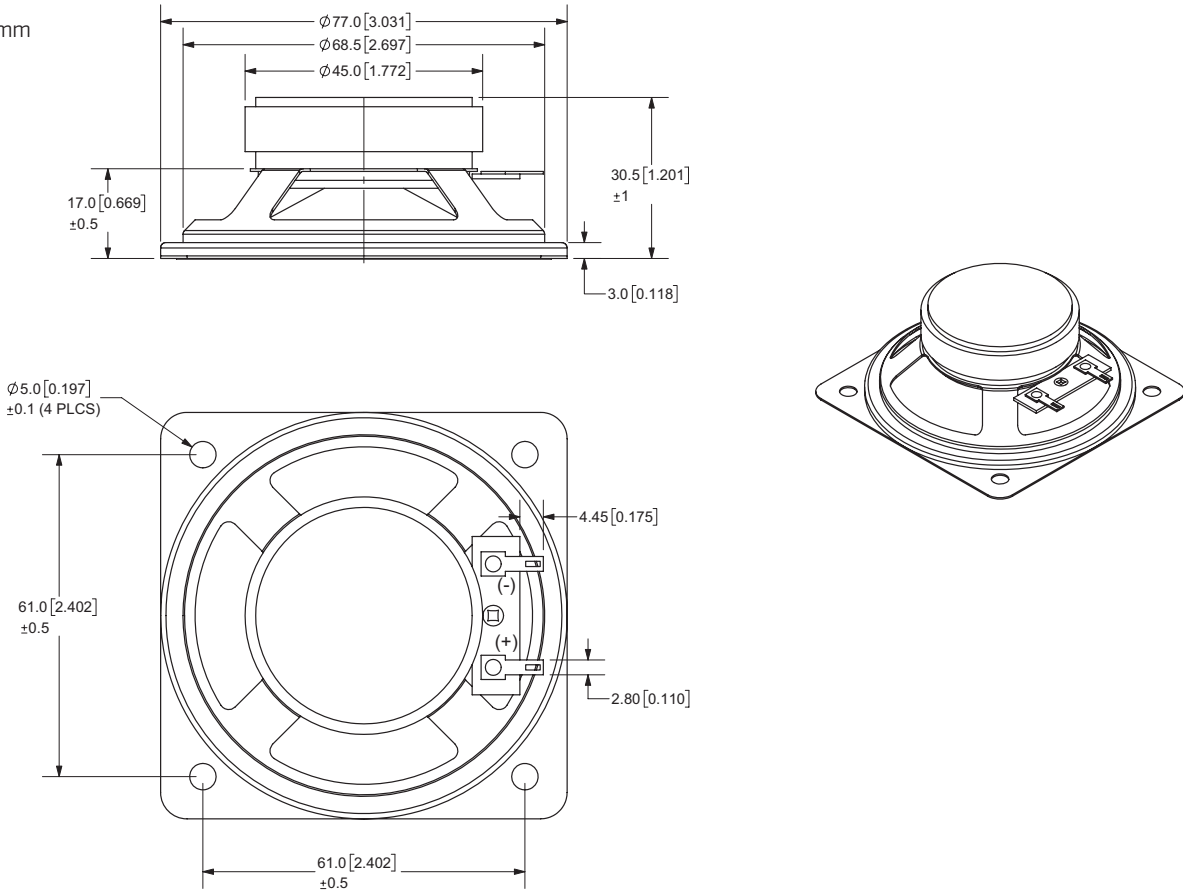
- 77 mm
- square frame
- 3.0 W
- 8  $\Omega$
- ferrite magnet
- paper cone

**SPECIFICATIONS**

| parameter               | conditions/description                         | min | typ   | max    | units              |
|-------------------------|--|-----|-------|--------|--------------------|
| input power             |  |     | 3.0   | 5.0    | W                  |
| impedance               | at 0.8 kHz, 1.0 V                              | 6.8 | 8     | 9.2    | $\Omega$           |
| resonant frequency (Fo) | at 1.0 V                                       | 200 | 250   | 300    | Hz                 |
| frequency response      |  | Fo  |       | 15,000 | Hz                 |
| sound pressure level    | at 1.0 W, 50 cm, avg at 0.5, 0.6, 0.8, 1.0 kHz | 92  | 95    | 98     | dB                 |
| buzz, rattle, etc.      | must be normal at sine wave                    |     |       | 4.89   | V                  |
| dimensions              | 77 x 77 x 30.5                                 |     |       |        | mm                 |
| magnet                  | ferrite  |     |       |        |                    |
| cone material           | paper  |     |       |        |                    |
| terminal                | solder eyelets                                 |     |       |        |                    |
| weight                  |  |     | 133.0 |        | g                  |
| operating temperature   |  | -25 |       | 70     | $^{\circ}\text{C}$ |
| hand soldering          | for maximum 3 seconds                          | 360 | 380   | 400    | $^{\circ}\text{C}$ |
| RoHS                    | yes  |     |       |        |                    |

## MECHANICAL DRAWING

units: mm  
tolerance: ±0.8 mm



## FREQUENCY RESPONSE CURVE

| parameter             | conditions/description |
|-----------------------|------------------------|
| potentiometer range   | 50 dB                  |
| rectifier             | RMS                    |
| lower limit frequency | 20 Hz                  |
| wr. speed             | 100 mm/sec             |
| zero level            | 70 dB                  |

