

MODEL: GF0876 | **DESCRIPTION:** SPEAKER

FEATURES

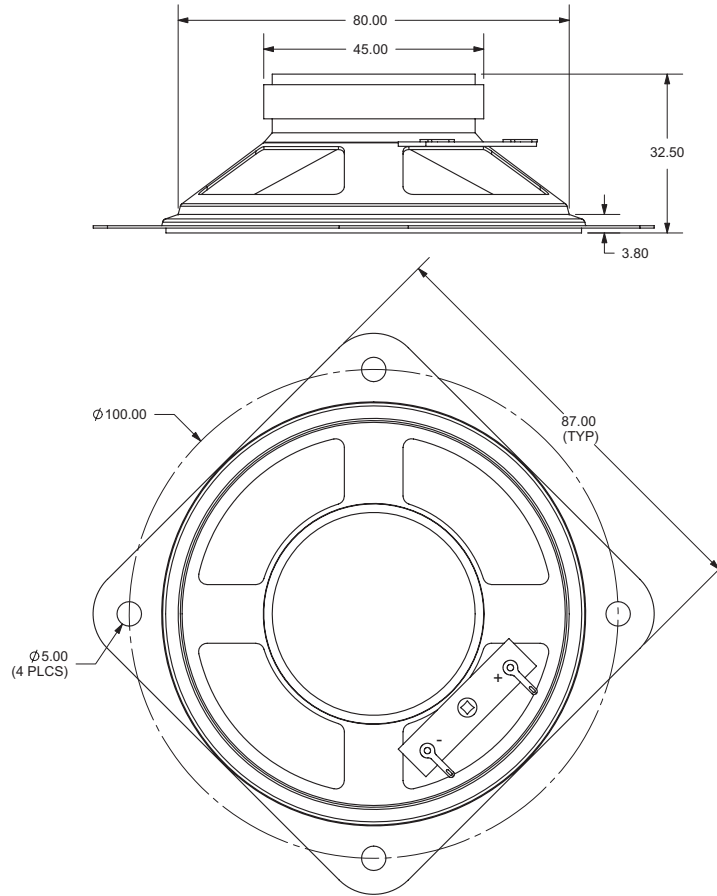
- 87 mm
- square frame
- 2.0 W
- 8 Ω
- ferrite magnet
- paper cone


SPECIFICATIONS

parameter	conditions/description	min	typ	max	units
input power			2.0	3.0	W
impedance	at 0.8 kHz, 1.0 V	6.8	8	9.2	Ω
resonant frequency (Fo)	at 1.0 V	256	320	384	Hz
frequency response		Fo		17,000	Hz
sound pressure level	at 1.0 W, 50 cm, avg at 1.0, 1.4, 1.7, 2.0 kHz	96	99	102	dB
buzz, rattle, etc.	must be normal at sine wave			4.0	V
dimensions	87 x 87 x 32.5				mm
magnet	ferrite				
cone material	paper				
terminal	solder eyelets				
weight			140		g
operating temperature		-25		70	$^{\circ}\text{C}$
storage temperature		-40		80	$^{\circ}\text{C}$
hand soldering	for maximum 5 seconds	400	420	440	$^{\circ}\text{C}$
RoHS	yes				

MECHANICAL DRAWING

units: mm
tolerance: ±0.8 mm



FREQUENCY RESPONSE CURVE

