

# GFL Series - 1 Pole+N, D Trip, 10 mA 10kA UL489 Listed Branch Circuit Breaker with Equipment Ground Fault Protection (RCBO)

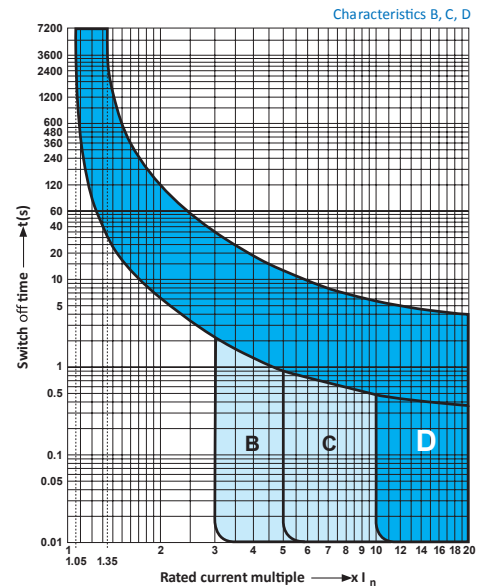
The GFL Series range is a combined Branch Circuit Breaker and Equipment Ground Fault Protector, featuring dual pole switching (live and neutral disconnect) and designed to provide protection against short circuits, overloads, AC ground faults (residual current faults) as well as pulsating DC ground faults.



## Ordering Information

Rated Current	Type/ Cat. No.	Rated Voltage
5.0A	GFL2D050102	240V AC
6.0A	GFL2D060102	240V AC
8.0A	GFL2D080102	240V AC
10A	GFL2D100102	240V AC
12A	GFL2D120102	240V AC
13A	GFL2D130102	240V AC
15A	GFL2D150102	240V AC
16A	GFL2D160102	240V AC
20A	GFL2D200102	240V AC
25A	GFL2D250102	240V AC

## GFL Series RCBO Overload Trip Curves

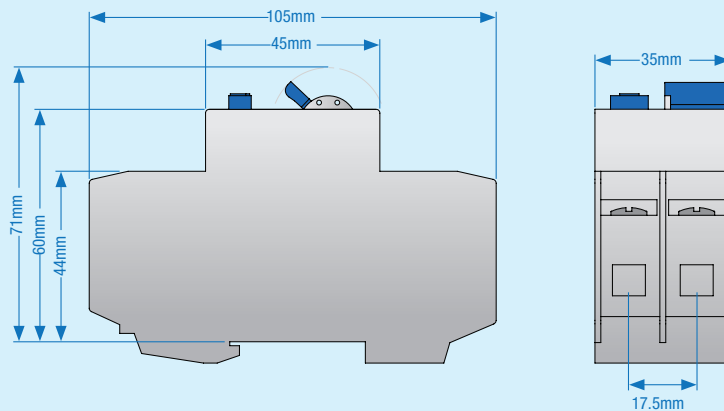


## Technical Specification

Number of Poles	1+N
Voltage Rating (maximum)	240V AC
Ground Fault Sensitivity Level	10 mA
Rated Short Circuit Interrupt Capacity	10 kA
Rated Frequency	50/60Hz
Trip Characteristic	D
Cable Size & Tightening Torque	Stranded Wire: 16 - 3 AWG (1.5 mm <sup>2</sup> - 25 mm <sup>2</sup> ) @ 17.5 lb-in (2.0 Nm) Solid Wire: 16 - 10 AWG (1.5 mm <sup>2</sup> - 5.5 mm <sup>2</sup> ) @ 17.5 lb-in (2.0 Nm) 18 - 16 AWG (1 mm <sup>2</sup> - 1.5 mm <sup>2</sup> ) @ 25 lb-in (2.8 Nm)
Electrical Life	6000 Switching Operations
Mechanical Life	10000 Switching Operations

### Dimensions

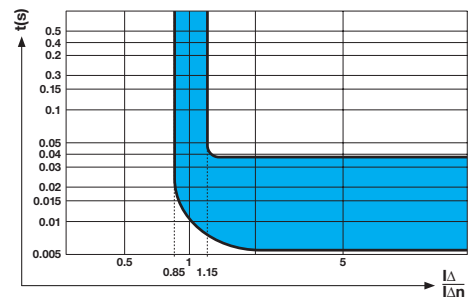
(to convert to inches multiply by 0.03937)



Weight

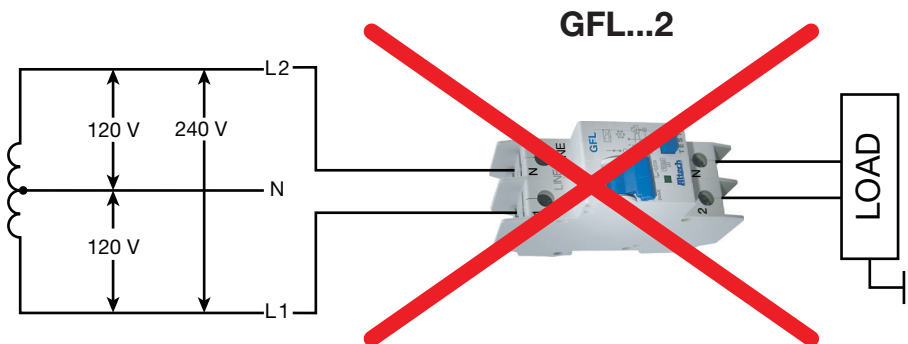
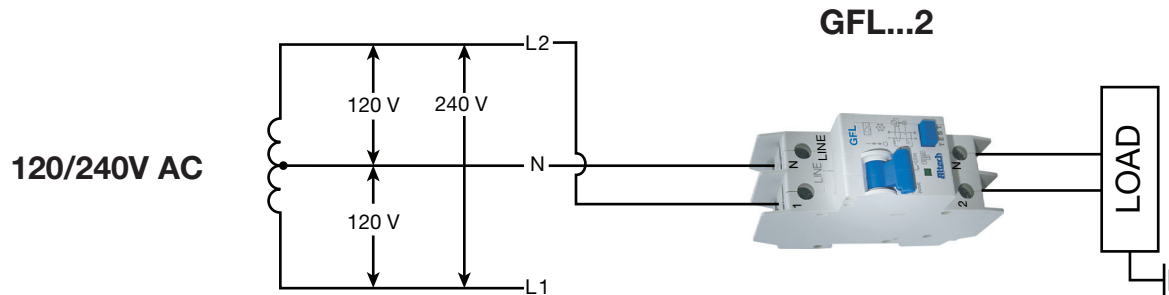
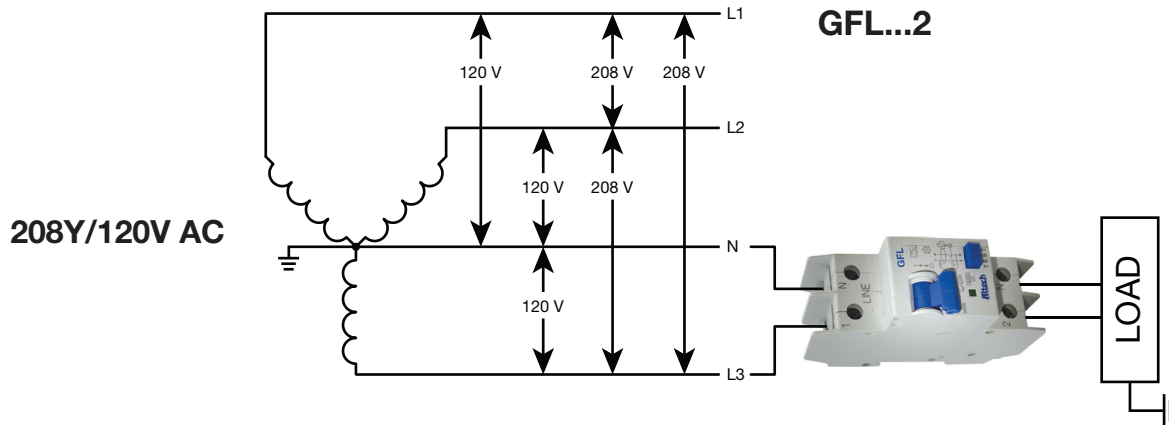
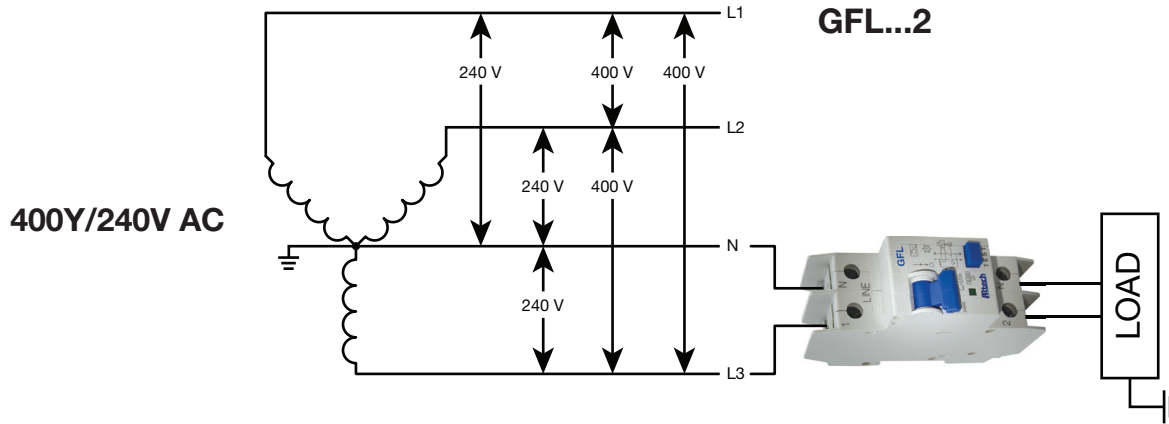
220 g

## GFL Series RCBO Ground Fault Trip Curve



UL 489  
Branch Circuit Breaker  
with Ground Fault Relay

GFL Series - 1 Pole+N, D Trip, 10 mA  
 Applicable voltage systems and wiring examples.



**NOTE:**  
 Wiring a hot leg/phase to  
 N terminal is not permitted.

**UL 489**  
 Branch Circuit Breaker  
 with Ground Fault Relay