

MTG-GK-207

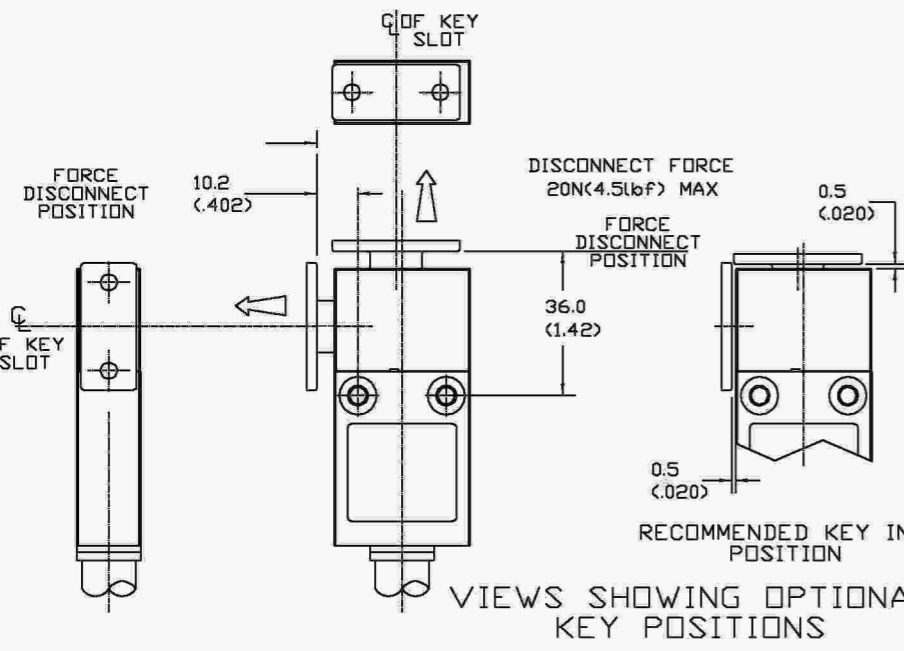
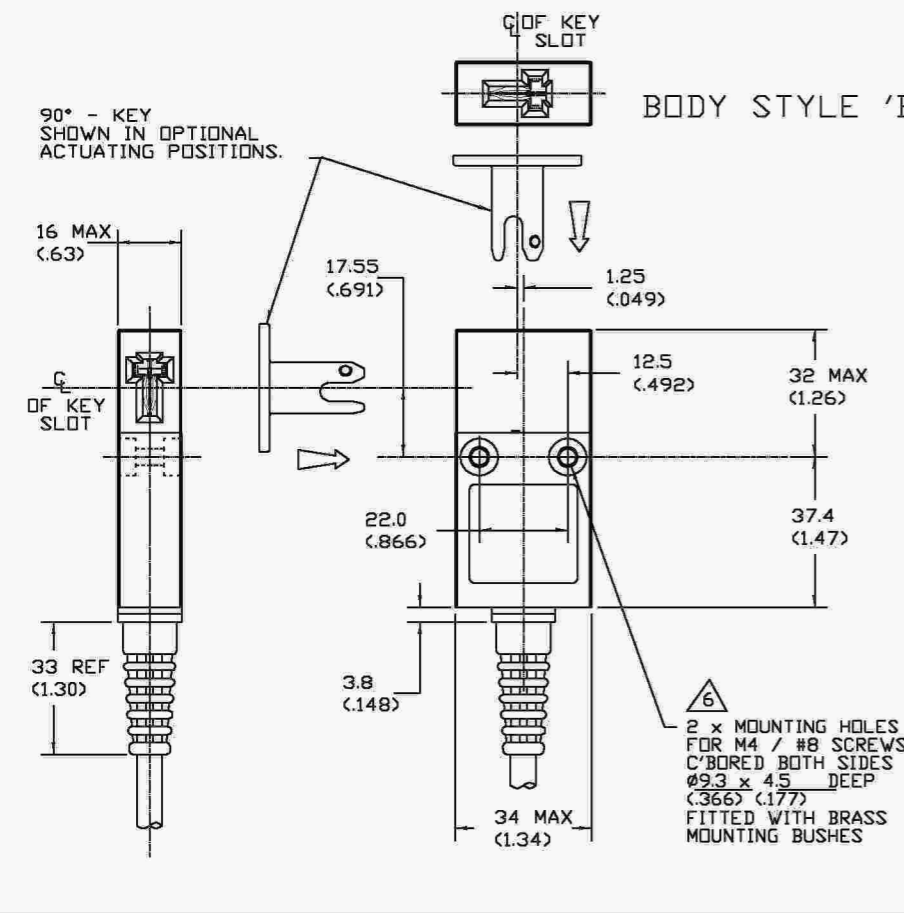
ISSUE 13
DRAWING NUMBER
RELEASES No. A020-12 REPLACES

REVISIONS
2 PR#5
1 WEIR
3 CD#123
J. BOYD
4 CD#351
J. BOYD
5 DR#204
1 WEIR
6 CD#998
1 WEIR
7 CD#1197
J. BOYD
8 CD#1629
J. BOYD
9 PR#1336
M. LOCH
10 CD#2651
M. LOCH
11 0015193
KRB
12 0027801
MST 24 JAN 07
13 0039389
KRB 03 MAY 08

DO NOT SCALE PRINT
MODIFY ON CAD SYSTEM ONLY

DRAWN M. LOCH
CHECK J. BOYD
DESIGN J. BOYD
AUTHOR P. TRICKETT

Honeywell LIMIT SWITCH GKM MTG-GK-207



BODY STYLE 'B'

6 2 x MOUNTING HOLES FOR M4 / #8 SCREWS C'BORED BOTH SIDES Ø9.3 x 4.5 DEEP (.366) (.177) FITTED WITH BRASS MOUNTING BUSHES

VIEWS SHOWING OPTIONAL KEY POSITIONS

ELECTRICAL RATINGS FOR BODY STYLE A, B, C, D				ELECTRICAL RATINGS BODY STYLE 'E'				ENVIRONMENTAL		APPROVALS	
STANDARD Ag CONTACTS		Au PLATE CONTACTS		STANDARD Ag CONTACTS		Au PLATED CONTACTS					
AC	DC	AC	DC	AC	DC	AC	DC	IP67	NEMA 1,12,13	 EN60947-5-1	
B300 120 240	AC15 3 1.5	Q300 125 250	DC13 0.55 0.27	30VDC, 2A MAX I _{th} = 2A	1VDC 10uA MIN 30VDC 100mA MAX I _{th} = 2A	30VDC, 2A MAX I _{th} = 2A	1VDC 10uA MIN 30VDC 100mA MAX I _{th} = 2A	TEMP RANGE: -25°C TO 85°C -13°F TO 185°F	STORAGE: -40°C TO 85°C -40°F TO 185°F		
I _{th} = 5A I _u = 1V 10uA MIN. 50V 100mA MAX.								SHOCK: 50G PER IEC 68-2-27		VIBRATION: 10G PER IEC 68-2-6	

SCALE - DIMENSIONS ARE IN MM/INCHES. THIRD ANGLE PROJECTION

GKM D03

BODY STYLE		CABLE		SWITCH TYPE	
A	SIDE EXIT CABLE	0	NO CABLE	3	SLOW BBKING 1NO
B	BOTTOM EXIT CABLE	1	CABLE	6	SLOW 2 x N.C.
C	SIDE EXIT CONNECTOR	&	LENGTH	7	SLOW 2 x N.C. GOLD PLATED CONTACTS
D	BOTTOM EXIT CONNECTOR	3	(METRES)	9	SLOW BBKING 1NO GOLD PLATED CONTACTS
E	TWIN CONNECTOR				

NOTES:-

- RED GLASS FILLED POLYESTER BODY, BLACK GLASS FILLED POLYAMIDE COVER AND STAINLESS STEEL KEY.
- ENCLOSURE DOUBLE INSULATED TO IEC 536 CLASS II.
- CABLE IS UL STYLE 2661, 105°C 300V. CORES HAVE 105°C RATED PVC OVER 20 AWG (16/0.2MM) BARE COPPER. OUTER SHEATH IS ALSO 105°C RATED PVC AND HAS FINAL O.D. = 6.33±0.2MM.
- STANDARD CONNECTOR TYPE: BRAD-HARRISON 4 PIN MICROCHANGE, DC STYLE, MALE TYPE, WITH EXTERNAL INTERLOCK THREAD (M12). CONNECTORS HAVE BLACK GLASS FILLED POLYESTER BODY.
- MINIMUM OPERATING VELOCITY (V_{min}) = 2.0 mm/s (0.08"/s)
MAXIMUM OPERATING VELOCITY (V_{max}) = 200 mm/s (8"/s)
MAXIMUM OPERATING FREQUENCY (F_{max}) = 2 Hz (120 ops/min)
- RECOMMENDED TIGHTENING TORQUE FOR MOUNTING SCREWS = 1 - 1.4 Nm (9 - 12 in.lbs)
- NEW LISTINGS WILL NOT INCLUDE ACTUATOR KEYS WHICH WILL BE SOLD SEPARATELY.
GKZ51M = STRAIGHT KEY, GKZ52M = 90° KEY.
STANDARD CABLE LENGTHS WILL NOW BE 1 & 3 METRES ONLY.
- FOR KEYWAY POSITION REFERENCE BODY STYLE "E"
- FOR MINIMUM DOOR RADIUS: SEE FIGURE "A"

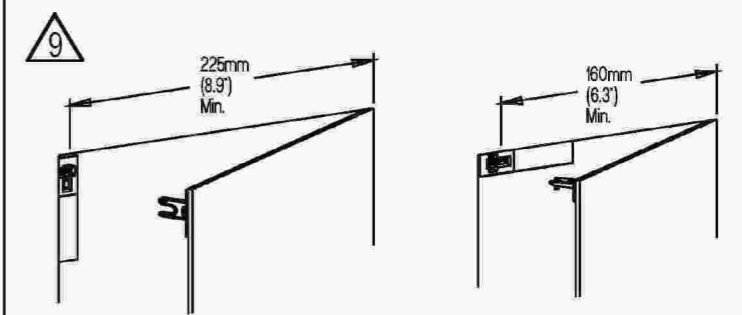
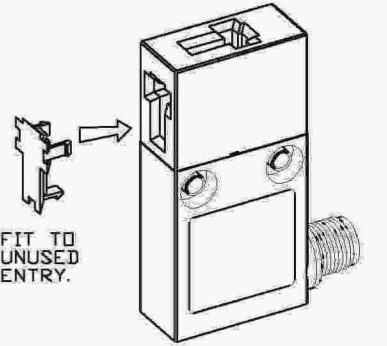
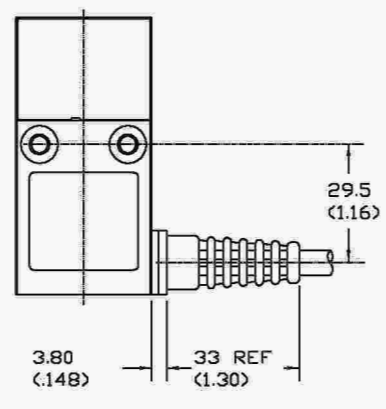


FIGURE A

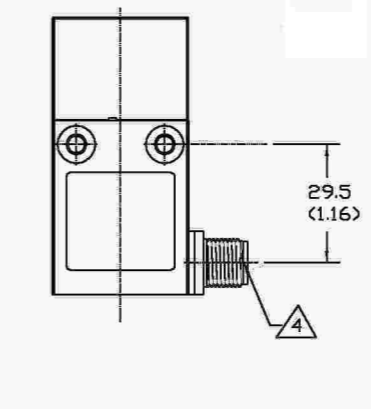
SLOT DUST COVER



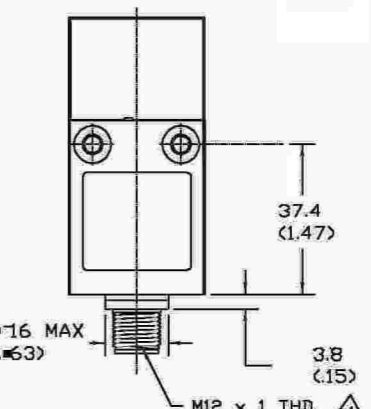
BODY STYLE 'A'



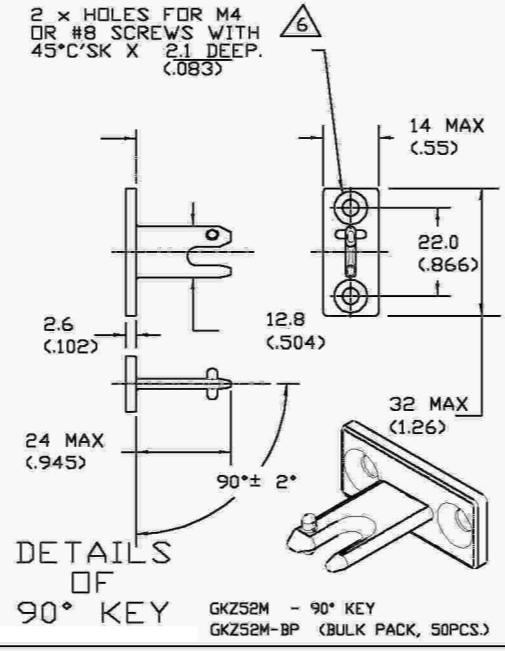
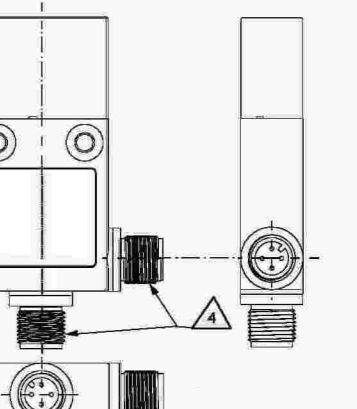
BODY STYLE 'C'



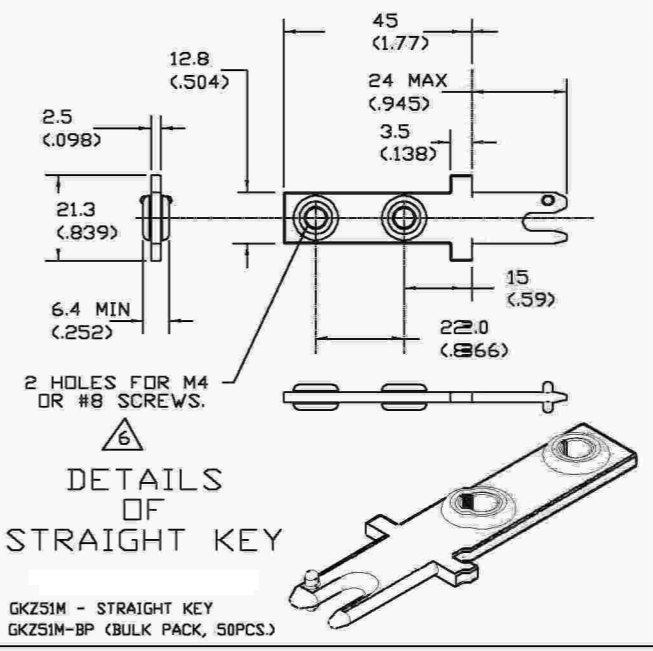
BODY STYLE 'D'



BODY STYLE "E"

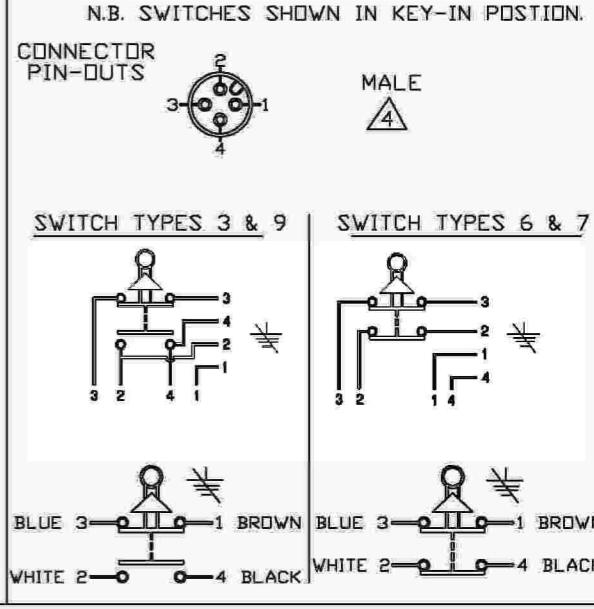


DETAILS OF 90° KEY
GKZ52M - 90° KEY
GKZ52M-BP (BULK PACK, 50PCS.)



DETAILS OF STRAIGHT KEY
GKZ51M - STRAIGHT KEY
GKZ51M-BP (BULK PACK, 50PCS.)

SWITCH DIAGRAMS



THE COPYRIGHT OF THIS DRAWING IS THE PROPERTY OF HONEYWELL LTD. THE DRAWING IS SUPPLIED IN CONFIDENCE AND MUST NOT BE USED FOR ANY PURPOSE OTHER THAN THAT FOR WHICH IT IS SUPPLIED.