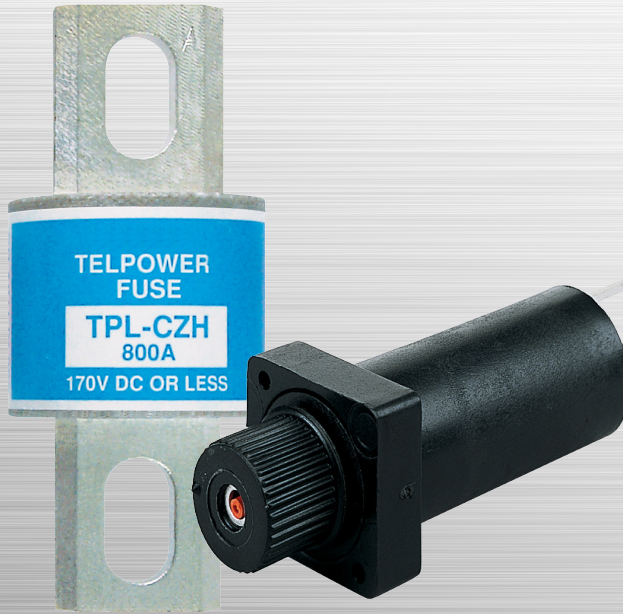


## Circuit protection for telecom applications



Complete portfolio of Bussmann series Telpower™ fuses, disconnects and holders specifically designed for telecom applications

### Contents

| Description  | Poles    | Volts DC         | Amps        | Section page |
|--|----------|------------------|-------------|--------------|
| TPCDS compact fused pullout disconnect with TCP fuses                                | 1        | 80               | 3-125       | 2            |
| TPMDS miniature fused pullout disconnect with TPM fuses                              | 1        | 80               | 3-30        | 3            |
| TP1590-4 fused pullout disconnect for TPA fuses                                      | 4        | 145/80           | 40/50       | 4            |
| TP15914 fused pullout disconnect for TPA fuses                                       | 4        | 145              | 50          |              |
| TPA (170 Vdc) and TPA-B (65 Vdc) fuses   | —        | 170/65           | 3-40        | 5            |
| 15800 fused pullout disconnect with TPS fuses and GMT-A open fuse indicator          | 1        | 60               | 3-70        | 6            |
| TP158HC fused pullout disconnect for TPL-B power fuses and GMT-A open fuse indicator | 1        | 80               | 70-250      | 7            |
| 15100 fused pullout disconnect for TPL fuses   | 1        | 60               | 70-800      |              |
| TPHCS fused pullout disconnect for TPL fuses   | 1        | 80               | 70-800      | 8            |
| TPL fuses  | —        | 170              | 70-800      | 9            |
| TPN current limiting DC fuses  | —        | 170              | 1-600       | 10           |
| 70 Type indicating fuses   | —        | 125 AC<br>300 DC | 1/10-10     | 11           |
| 15087 fuse holders for 70 Type fuses   | 1        | 300              | 12          |              |
| HLS, HLT and PCT fuse holders for GMT fuses  | Up to 25 | 125 AC<br>60 DC  | 15          | 12           |
| GMT fast-acting fuses  | —        | 125 AC<br>60 DC  | 18/100 to 3 |              |
| GMT-A fast-acting open fuse indicator for use with 15800 and TP158HC disconnects     | —        | —                | —           |              |

## TPC fuses and TPCDS pullout disconnects

Telpower TPC compact current-limiting fuses mount in the TPCDS compact fused pullout disconnect that's available in two disconnect profiles and a variety of terminal styles. Recommended 0.75" center-to-center product spacing.



### Ratings

- Volts 80 Vdc
- Amps 3-125 A
- IR 100 kA

### Agency information

- UL Recognized (investigated to UL 1801) as a disconnect switch for the interruption of load current by means of withdrawing the fuse pullout
- Recognized to US and Canadian requirements under the component recognition program of Underwriters Laboratories Inc. Files E219046 and E56412
- CE

### Typical applications

- Telecommunications DC power circuit protection
- Replacement of DC telecom circuit breakers
- Applications where venting of arc or molten metals and gases during opening would pose a problem to surrounding devices

### Features

- Highest interrupting rating (100 kA) available and complete system coordination for DC circuit protection for compact footprint providing a superior protection solution for replacement of existing DC telecom circuit breakers
- AmpColor ID™ system makes fuse replacement easy
- Local and remote open fuse indication. Local alarm indication provided by LED on TPC fuse
- Remote alarm terminal available in three positions common to DC circuit protection devices

### TPC fuses

| Catalog no. (amps) |        |        |         |
|--------------------|--------|--------|---------|
| TPC-3              | TPC-8  | TPC-25 | TPC-75  |
| TPC-4              | TPC-10 | TPC-30 | TPC-90  |
| TPC-5              | TPC-12 | TPC-40 | TPC-100 |
| TPC-6              | TPC-15 | TPC-50 | TPC-125 |
| TPC-7              | TPC-20 | TPC-60 |         |

### TPCDS catalog number system

| Catalog no. prefix             |   |          |   |
|--------------------------------|---|----------|---|
| TPCDS                          |   | TPCDS-D- |   |
| Terminal style                 |   |          |   |
| BB -                           | Bullet contact on the line, bullet contact on the load            | CC -     | Screw Clamp terminal on the line, screw Clamp terminal on the load                            |
| BS -                           | Bullet contact on the line, stud terminal on the load             | BC -     | Bullet contact on the line, screw Clamp terminal on the load                                  |
| SS -                           | Stud terminal on the line, stud terminal on the load              | SEC -    | Stud terminal on the line, English threads for stud (10-32), screw Clamp terminal on the load |
| —                              |   | SMC -    | Stud terminal on the line, metric threads for stud (M5), screw Clamp terminal on the load     |
| Thread                         |   |          |   |
| M -                            | Metric threads for panel mount fasteners (M3) and stud (M5)       | —        |   |
| E -                            | English threads for panel mount fasteners (6-32) and stud (10-32) |          |   |
| Remote alarm terminal distance |   |          |   |
| 1 -                            | 0.645 inch from line terminal                                     | 1 -      | Side output (available on CC and BC terminal styles)  |
| 2 -                            | 0.970 inch from line terminal                                     | 2 -      | Bottom output, .970 inch from line terminal (available on BC terminal style only)             |
| 3 -                            | 1.285 inch from line terminal                                     | —        |   |

| Catalog no. |             |              |               |
|-------------|-------------|--------------|---------------|
| TPCDS-BBE-1 | TPCDS-BSE-2 | TPCDS-SSE-3  | TPCDS-D-SEC1* |
| TPCDS-BBE-2 | TPCDS-BSE-3 | TPCDS-SSM-1  | TPCDS-D-SEC2* |
| TPCDS-BBE-3 | TPCDS-BSM-1 | TPCDS-SSM-2  | TPCDS-D-SMC1* |
| TPCDS-BBM-1 | TPCDS-BSM-2 | TPCDS-SSM-3  | TPCDS-D-SMC2* |
| TPCDS-BBM-2 | TPCDS-BSM-3 | TPCDS-D-BC1* |               |
| TPCDS-BBM-3 | TPCDS-SSE-1 | TPCDS-D-BC2* |               |
| TPCDS-BSE-1 | TPCDS-SSE-2 | TPCDS-D-CC1* |               |

\* Not investigated to Canadian requirements.

### Dimensions

- See data sheet no. 5023

## TPM fuse and TPMDS pullout disconnect

Telpower TPM miniature current-limiting fuses mount in the miniature TPMDS pullout disconnect. The TPM fuses feature local open fuse indication and TPMDS is easily integrated into remote indication systems.



### Ratings

- Volts 80 Vdc
- Amps 3-30 A
- IR 20 kA

### Agency information

- UL Recognized (investigated to UL 1801) as a disconnect switch for the interruption of load current by means of withdrawing the fuse pullout
- Recognized to US and Canadian requirements under the component recognition program of Underwriters Laboratories Inc. Files E219046 and E56412
- CE

### Typical applications

- Telecommunications DC power circuit protection
- Applications with restricted space, or mounting in 1 U (1.75"/44.5mm) panels

### Features

- Smallest and most versatile fused disconnect switch available allowing for assembly into 1 U (1.75"/44.5mm) panel. Easy to connect; Load: 1/4" quick-connect or bolted connection with 10-32 (M5) captive nut, Line: 1/4" quick-connect or screw connection with clearance hole for #10 (M5) bolt
- AmpColor ID™ System makes fuse replacement easy
- Switch design provides for easy panel mounting by single captive 4-40 (M3) nut and panel notch integral to switch footprint
- Complete system coordination capability with local and remote open fuse indication. Local alarm indication provided by LED on TPM fuse (maximum alarm circuit current: 20mA)

### TPM fuses

#### Catalog no. (amps)

|       |       |        |        |
|-------|-------|--------|--------|
| TPM-3 | TPM-6 | TPM-10 | TPM-20 |
| TPM-4 | TPM-7 | TPM-12 | TPM-25 |
| TPM-5 | TPM-8 | TPM-15 | TPM-30 |

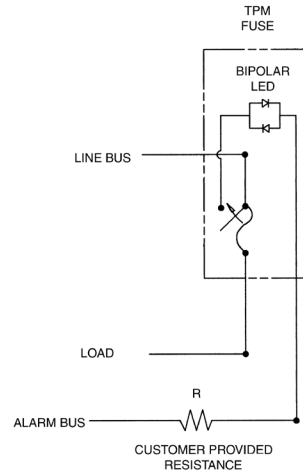
### TPMDS pullout disconnects (accept all TPM fuse amp ratings)

| Catalog no. | Description                                |
|-------------|--|
| TPMDS-E     | Pullout fused disconnect, English hardware |
| TPMDS-M     | Pullout fused disconnect, metric hardware  |

### Dimensions

- See data sheet no. 5022

## TPMDS alarm schematic



### Notes:

1. The resistance (R) must be provided by the end-user to limit the open fuse indication output current to a maximum of 20mA. The "R" value should be calculated using the system voltage value. If remote indication functionality is not required, the END-USER CIRCUITRY must still be supplied to provide a resistance path to the return for the local indication to properly function.
2. The fuse is polarized to maintain proper orientation with the switch housing. The line and load terminals are identified on the switch housing.

**TP15900-4 fused pullout disconnect for TPA fuses**

4-pole fused pullout disconnect for use with Telpower TPA and TPA-B fuses. Pullout disconnects feature remote open fuse indication capability.



**Ratings**

- Volts
  - 145 Vdc@40 A per pole
  - 80 Vdc@50 A per pole

**Agency information**

- UL Recognized File E97649 as a disconnect switch for interruption of load current by means of withdrawing the fuse carrier
- UL Recognized as a component for telecommunication power distribution equipment (UL category QPQY2)
- UL Recognized fuses for branch circuit protection
- CSA Component Acceptance for the system
- CE

**Typical applications**

- Telecommunications DC power circuit protection

**Features**

- Ease of installation - connection directly to busbar, reduces external wiring per pole. Rear accessibility for line and load terminations
- LED alarm signaling (LED current 30mA max)
- Local and remote open-fuse indication along with fuse orientation rejection feature and fuse presence indication
- Alarm test probe point, to allow on-site checking of alarm circuitry

**TP15914 fused pullout disconnect**

Modular 4-pole fuse pullout disconnect for use with TPA fuses. 4-poles per module can be ganged up to four modules for a total of 16 poles. The TP15914 features open fuse indication and fuse presence indication along with fuse orientation rejection.



**Ratings**

- Volts 145 Vdc
- Amps 50 A max per pole

**Agency information**

- UL Recognized, Guide JFHR2, File E56412
- UL Recognized as a disconnect switch for interruption of load current by means of withdrawing the fuse carrier
- UL Recognized as a component for telecommunication power distribution equipment (UL category QPQY2)
- UL Recognized fuses for branch circuit protection
- CSA Certified, Class 1422-30, File 53787
- CSA Component Acceptance for the system

**Typical applications**

- Telecommunications DC power circuit protection

**Features**

- Totally enclosed module directly connects to busbar for reduced external wiring—per pole and easy installation with front access load and line connection standard — double lug load connections 8 AWG wire
- LED alarm signaling (LED current 30mA max)
- Remote alarm with alarm test probe point to allow on-site checking of alarm circuitry

| Catalog no. | Description |
|-------------|-------------|
|-------------|-------------|

|            |   |
|------------|---|
| TP15900-4  | 4-pole common disconnect                            |
| TP15900-41 | 4-pole common disconnect w/ split alarm, split line |

| Catalog no. | Description |
|-------------|-------------|
|-------------|-------------|

|           |                  |
|-----------|------------------|
| TP15914   | English hardware |
| TP15914-1 | Metric hardware  |

**Available fuses**

| Catalog symbol | Amps | Volts DC | IR |
|----------------|------|----------|----|
|----------------|------|----------|----|

|       |                                  |     |        |
|-------|----------------------------------|-----|--------|
| TPA   | 3, 5, 10, 15, 20, 25, 30, 40, 50 | 170 | 100 kA |
| TPA-B | 20, 25, 30                       | 65  | 20 kA  |

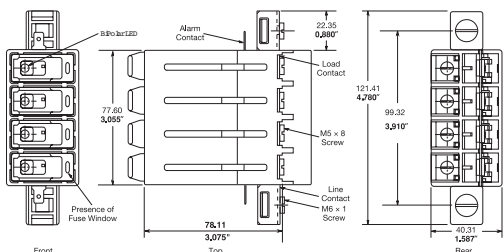
**Accessories**

- Spare fuse holders: catalog numbers 5TPH and TPSFH-AS.

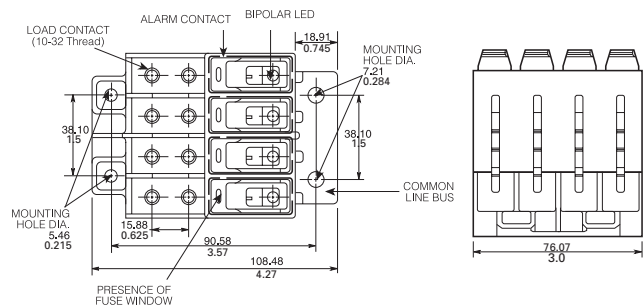
**Accessories**

- Spare fuse holders: catalog numbers 5TPH and TPSFH-A

**Dimensions — mm (in)**



**Dimensions — mm (in)**



## TPA and TPA-B indicating fuses

Indicating DC power distribution fuse for use in TP15900-4 and TP15914 fused pullout disconnects.



### Ratings

- Volts
  - 170 Vdc (TPA)
  - 65 Vdc (TPA-B)
- Amps
  - 3-50 A (TPA)
  - 20-30 A (TPA-B)
- IR
  - 100 kA (TPA)
  - 20 kA (TPA-B)



### Agency information

- UL Recognized, Guide JFHR2, File E56412
- CSA Certified, Class 1422-30, File 53787
- CE, RoHS compliant

### Typical applications

- Telecommunications DC power circuit protection

### Features

- Indication pin provides for local and remote indication when used with Bussmann series TP15900-4 and TP15914 disconnect switches
- Patented "orange ring" fuse orientation features assures correct fuse position
- The UL Recognized ratings and current-limiting capability make this fuse ideal for cable protection on existing DC power distribution systems
- A unique blue label is used on all Telpower fuses to designate their DC capability

#### Catalog no. (amps)

##### 170 Vdc

|       |        |        |        |        |
|-------|--------|--------|--------|--------|
| TPA-3 | TPA-10 | TPA-20 | TPA-30 | TPA-50 |
| TPA-5 | TPA-15 | TPA-25 | TPA-40 |        |

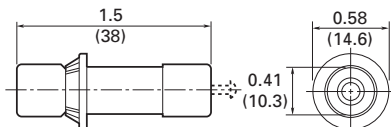
##### 65 Vdc

|          |          |          |
|----------|----------|----------|
| TPA-B-20 | TPA-B-25 | TPA-B-30 |
|----------|----------|----------|

### Accessories

- Spare fuse holders: 5 position holder; 5TPH; 6 position holder; TPSFH-AS

### Dimensions — in (mm)



Data sheet no. 5012

**15800 fused pullout disconnect for the TPS fuse**

Fused disconnect switch for use only with the TPS main fuses (1 to 70 amp) and GMT-A alarm fuses (see page 14-12). It is recommend to also use the GMT-X cover for the GMT-A fuses.



**Ratings**

- Volts 60 Vdc
- Amps 3-70 A
- SCCR 100 kA

**Agency information**

- UL Recognized, Guide QPQY2, File E97649
- CE

**Typical applications**

- Telecommunications DC power circuit protection

**Features**

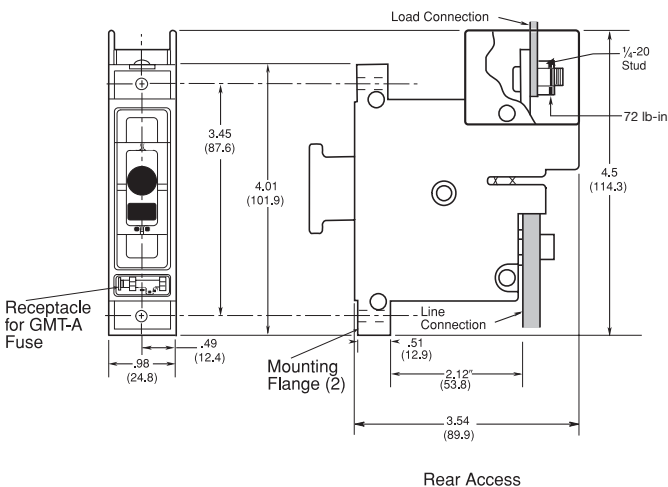
- Alarm output with wire wrap terminal or connection to 0.063" thick common alarm bus
- Spare alarm and power fuse compartment
- Mounting hardware included

| Catalog no. | Description                 |
|-------------|-----------------------------|
| 15800-R-200 | Rear access panel mounting  |
| 15800-F-200 | Front access panel mounting |

**Accessories**

- Spare fuse holders: catalog numbers TPSFH-AS (TPS fuses) and TPSFH-T (GMT fuses)

**Dimensions — in (mm)**



**TPS main power fuse**

Non-indicating DC power distribution ferrule fuses specifically designed to meet the unique needs of DC power distribution systems. For use with Bussmann series 15800 fused pullout disconnect. Vertical and horizontal PCB tab versions available for circuit board applications.

**Ratings**

- Volts 170 Vdc
- Amps 1-80 A
- IR 100 kA



**Agency information**

- UL Recognized, Guide JFHR2, File E56412, RoHS compliant, CE

**Typical applications**

- Telecommunications DC power circuit protection
- Applications requiring printed circuit board mounting

**Features**

- The UL Recognized ratings and current-limiting capability make this fuse ideal for cable protection on existing DC power distribution systems
- A unique blue label is used on all Telpower fuses to designate their DC capability
- PCB tab versions eliminate the need for fuseclips when mounting the fuse on a circuit board

**Catalog no. (amps)**

| Ferrule |        |        |        |
|---------|--------|--------|--------|
| TPS-1   | TPS-6  | TPS-25 | TPS-80 |
| TPS-2   | TPS-10 | TPS-30 | TPS-60 |
| TPS-3   | TPS-15 | TPS-35 | TPS-70 |
| TPS-5   | TPS-20 | TPS-40 | TPS-80 |

**Horizontal PCB tabs**

|        |         |         |           |
|--------|---------|---------|-----------|
| TPS-1L | TPS-6L  | TPS-25L | TPS-50L   |
| TPS-2L | TPS-10L | TPS-30L | TPS-60L   |
| TPS-3L | TPS-15L | TPS-35L | TPS-70L   |
| TPS-5L | TPS-20L | TPS-40L | TPS-70LB* |

**Vertical PCB tabs**

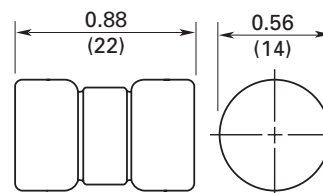
|         |         |         |
|---------|---------|---------|
| TPS-40V | TPS-50V | TPS-80V |
|---------|---------|---------|

\* LB = Bolt tag

**Accessories**

- Spare fuse holder TPSFH-AS, see page 15-4

**Dimensions — in (mm)**



### TP158HC fused pullout disconnect

High amp panel mount, rear access fuses pullout disconnect for use only with Telpower TPL-B main fuses (70-250 A) and GMT-A alarm fuses (see page 14-12). It is recommend to also use the GMT-X cover for the GMT-A fuses.

#### Ratings

- Volts 80 Vdc
- Amps 70-250 A
- SCCR 100 kA

#### Agency information

- UL Recognized (investigated to UL 1801) as a disconnect switch for the interruption of load current by means of withdrawing the fuse pullout, Guide QPOY2, File E97649

#### Typical applications

- Telecommunications DC power circuit protection

#### Features

- Similar profile, mounting method, and backplane configuration as 15800. The TP158HC can be installed into existing 15800 panels using the space of two 15800 pullout disconnects
- Innovative new fuse pullout design eliminates need for tools to replace the Telpower type TPL-B fuse
- Alarm output with wire wrap terminal or connection to 0.063 inch (1.6mm) thick common alarm bus
- Hardware included: Load: washer, split lockwasher, and 5/16 - 18 nut (metric M8 x 1.25)

| Catalog no. | Hardware type |
|-------------|---------------|
| TP158HC     | English       |
| TP158HC-M   | Metric        |

#### Accessories

- Spare fuse holders: TPSFH-LB (TPL-B fuses) and TPSFH-T (GMT fuses)

#### Dimensions

- See data sheet no. 5021

#### Application notes

The line connection uses a 1/4-20 bolt (metric M6 x 1) that threads into the line terminal. The line terminal is designed with a float of ±0.02" (±0.50mm) to allow for variation in the distance between the TP158HC mounting flange and the line busbar (see Dimensions). Equipment should be designed to eliminate any relative movement between the TP158HC mounting flange and the line busbar.

The alarm circuit is not intended for pre-charging capacitive circuits. Maximum alarm circuit current 1 A.

Data sheet no. 5021

### 15100 fused pullout disconnect

Fused pullout disconnect system for use with TPL Telpower fuses.

#### Ratings

- Volts 60 Vdc
- Amps 70-800 A
- SCCR 100 kA

#### Agency information

- UL Recognized, Guide QPOY2, File E97649
- CE

#### Typical applications

- Telecommunications DC power circuit protection

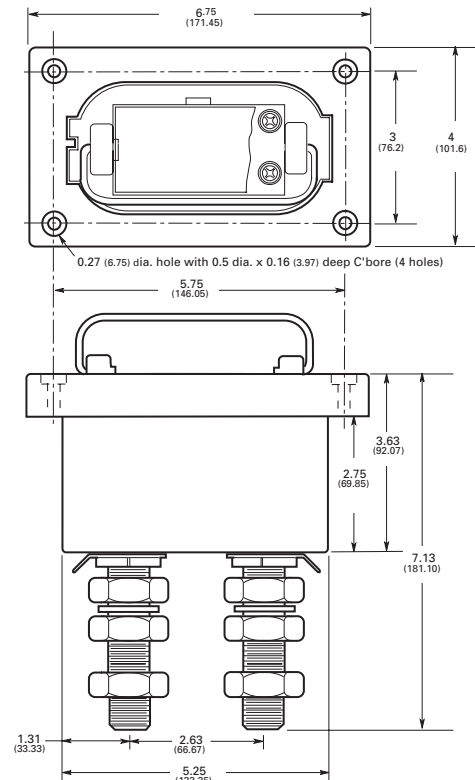
#### Features

- Single-pole fusible disconnect switch for primary DC power distribution
- Robust housing and terminal construction for demanding applications
- Panel mounting
- Easily connected to line or load bus



| Catalog no. | TPL fuse amp range |
|-------------|--------------------|
| 15100-401   | 70-400             |
| 15100-601   | 300-800            |

#### Dimensions — in (mm)



Data sheet no. 5003

**TPHCS high current fused pullout disconnect**

High current fused pullout disconnect for use with TPL-B, TPL-C and TPH Telpower fuses. Available as a complete pullout disconnect or just the pullout. Base may be purchased separately.



TPHCS800-MAV shown

**Ratings**

- Volts 80 Vdc
- Amps 70-800 A
- SCCR 100 kA

**Agency information**

- UL Recognized (investigated to UL 1801) as a disconnect switch for the interruption of load current by means of withdrawing the fuse carrier
- UL Recognized to meet the requir

**Typical applications**

- Telecommunications DC power circuit protection

**Features**

- Innovative design eliminates need for tools to replace the TPL-B, TPL-C or TPH fuses
- Easy to install—captive fasteners allow for direct busbar mounting (bolts not included). Standard 1/4" male quick-connect terminal for effortless remote alarm connection
- Optional new electronic alarm eliminates need for parallel indicating fuses while providing local and remote open-fuse indications (maximum remote alarm current: 20mA); Bipolar alarm: designed for both central office and Radio applications, Local LED open fuse indication for ease-of-viewing.
- Fuse presence window allows for easy viewing of installed fuse amp rating
- Compact design is ideal for today's high power, high-density cabinets

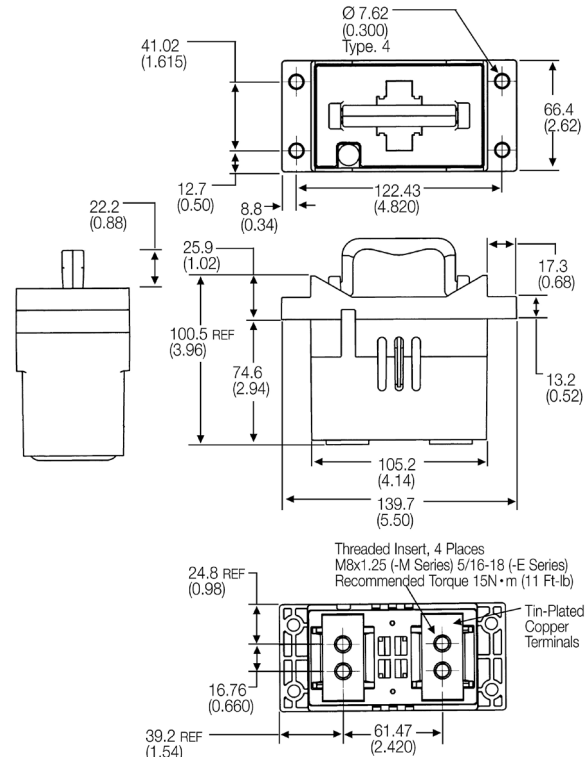
| Catalog no. (pullout and base) | Hardware (option) | For fuse symbol | Fuse amp range |
|--------------------------------|-------------------|-----------------|----------------|
| TPHCS250-M                     | Metric            | TPL-B           | 70-250         |
| TPHCS250-E                     | English           | TPL-B           | 70-250         |
| TPHCS250-ML                    | Metric, LED       | TPL-B           | 70-250         |
| TPHCS250-EL                    | English, LED      | TPL-B           | 70-250         |
| TPHCS250-MAV                   | Metric, alarm     | TPL-B           | 70-250         |
| TPHCS250-EAV                   | English, alarm    | TPL-B           | 70-250         |
| TPHCS800-M                     | Metric            | TPL-C or TPH    | 300-800        |
| TPHCS800-E                     | English           | TPL-C or TPH    | 300-800        |
| TPHCS800-ML                    | Metric, LED       | TPL-C or TPH    | 300-800        |
| TPHCS800-EL                    | English, LED      | TPL-C or TPH    | 300-800        |
| TPHCS800-MAV                   | Metric, alarm     | TPL-C or TPH    | 300-800        |
| TPHCS800-EAV                   | English, alarm    | TPL-C or TPH    | 300-800        |

| Catalog no. (components) | Description rating/hardware/option | For fuse symbol | Amp range |
|--------------------------|------------------------------------|-----------------|-----------|
| TPHCS250-P               | Pullout only (250 A)               | TPL-B           | 70-250    |
| TPHCS800-P               | Pullout only (800 A)               | TPL-C or TPH    | 300-800   |
| TPHCS-B-M                | Base only, metric                  | —               | 800 max   |
| TPHCS-B-E                | Base only, English                 | —               | 800 max   |
| TPHCS-B-ML               | Base only, metric, LED             | —               | 800 max   |
| TPHCS-B-EL               | Base only, English, LED            | —               | 800 max   |
| TPHCS-B-MAV              | Base only, metric, alarm           | —               | 800 max   |
| TPHCS-B-EAV              | Base only, English, alarm          | —               | 800 max   |

**Notes**

1. TPHCS250 and TPHCS800 pullouts and bases are the same with exception to the fuse type the pullout will hold (TPL-B, TPL-C or TPH).
2. Plastic rated UL 94V0, 140°C RTI.

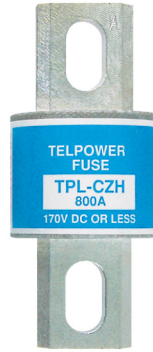
**Dimensions — mm (in)**





## TPL high amp DC fuses

High amp DC power distribution fuses for use with Telpower 15100, 15200, TP158HC and TPHCS fused pullout disconnects. TPL-TA adapter kit is necessary when replacing a UBO fuse.



### Ratings

- Volts 170 Vdc
- Amps 70-800 A
- IR 100 kA

### Agency information

- UL Recognized Guide JFHR2, File E56412 Bellcore
- CE

### Typical applications

- Telecommunications power circuit protection

### Features

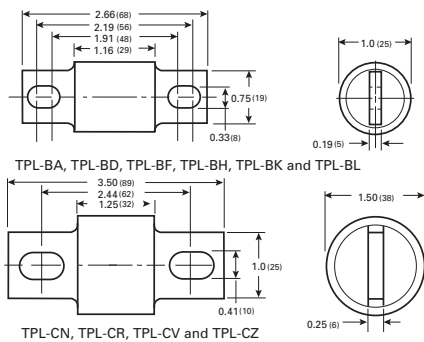
- Current-limiting capability designed for DC power distribution systems
- Recognized branch circuit protection
- Complete system coordination capability
- Energy savings with low watts loss, low operating temperatures, and minimum I<sup>2</sup>t levels

| Catalog no. | Amps | Catalog no. | Amps |
|-------------|------|-------------|------|
| TPL-BA      | 70   | TPL-BL      | 250  |
| TPL-BB      | 80   | TPL-CN      | 300  |
| TPL-BC      | 90   | TPL-CO      | 350  |
| TPL-BD      | 100  | TPL-CR      | 400  |
| TPL-BE      | 125  | TPL-CU      | 450  |
| TPL-BF      | 150  | TPL-CV      | 500  |
| TPL-BG      | 175  | TPL-CZ      | 600  |
| TPL-BH      | 200  | TPL-CZH     | 800  |
| TPL-BK      | 225  |             |      |

### Accessories

- Spare fuse holders: TPSFH-LB (for TPL-B fuses) TPSFH-LC (for TPL-C fuses)

### Dimensions — in (mm)



## TPN high amp current limiting DC fuses

The TPN fuse is a current-limiting DC power distribution fuse that's dimensionally similar to UL Class R branch circuit fuses making them easy to install using standard RM60\_ modular Class R fuse blocks.



### Ratings

- Volts 170 Vdc
- Amps 1-600 A
- IR 100 kA

### Agency information

- UL Recognized, Guide JFHR2, File E56412

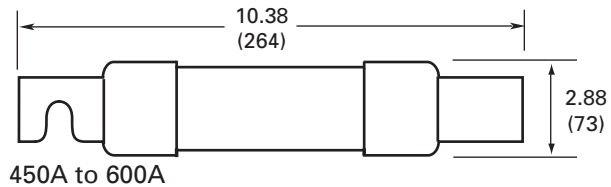
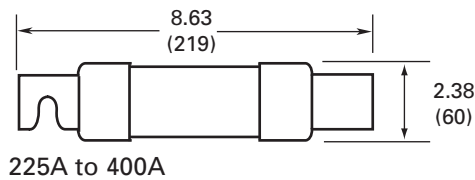
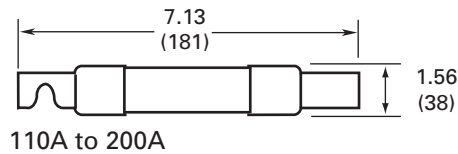
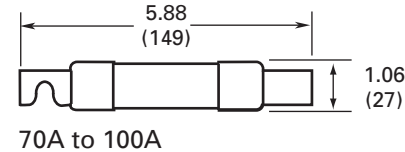
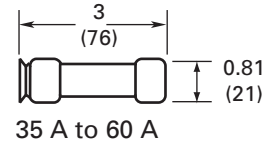
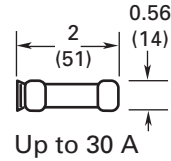
### Typical applications

- Telecommunications power circuit protection

### Features

- Current-limiting capability designed for DC power distribution systems
- Recognized branch circuit protection
- Complete system coordination capability
- Energy savings with low watts loss, low operating temperatures, and minimum I<sup>2</sup>t levels

### Dimensions — in (mm)



### Catalog no. (amps)

|        |        |         |         |
|--------|--------|---------|---------|
| TPN-1  | TPN-30 | TPN-90  | TPN-250 |
| TPN-3  | TPN-35 | TPN-100 | TPN-300 |
| TPN-5  | TPN-40 | TPN-110 | TPN-350 |
| TPN-6  | TPN-45 | TPN-125 | TPN-400 |
| TPN-10 | TPN-50 | TPN-150 | TPN-450 |
| TPN-15 | TPN-60 | TPN-175 | TPN-500 |
| TPN-20 | TPN-70 | TPN-200 | TPN-600 |
| TPN-25 | TPN-80 | TPN-225 |         |

### Accessories

- Spare fuse holders:TPSFH-N30 (for TPN 1-30) TPSFH-N60 (for TPN 35-60)

### Recommended modular\* Class R fuse blocks

| Catalog no. | Amps |
|-------------|------|
| RM25030-1CR | 30   |
| RM25060-1CR | 60   |
| RM25100-1CR | 100  |
| RM25200-1CR | 200  |
| RM25400-1CR | 400  |
| RM25600-1CR | 600  |

\* Blocks can be snapped together to create the number of required poles. Optional indicating and non-indicating finger-safe covers available for all blocks.

## 70 Type pin indicating fuses

Pin indicating fuse for use in the 15087 panel-mount fuse holder



### Ratings

- Volts
  - 125 Vac
  - 300 Vdc
- Amps 1/10-10 A
- IR 1 kA @ 300 Vdc

### Agency information

- UL Recognized, Guide JDYX2, File E19180 Bellcore
- CE

| Catalog no. (amps)       | Color code    | Lucent comcode ref. no. | Code/list no. |
|--------------------------|---------------|-------------------------|---------------|
| 70P-1/10A*               | Gray/White    | 100203413               | KS23751-L10   |
| 70R-15/100A*             | Red/White     | 101384550               | KS23751-L11   |
| 70E-18/100A*             | Yellow        | 100203363               | KS23751-L5    |
| 70X-2/10A                | Black         | —                       | —             |
| 70F-1/4A*                | Violet        | 100203371               | KS23751-L6    |
| 70K-1/4A*                | Violet/White  | 100203405               | KS23751-L9    |
| 70G-1/2A*                | Red           | 100203389               | KS23751-L7    |
| 70H-3/4A*                | Brown         | 100203397               | KS23751-L8    |
| 70I-1A                   | Pink          | —                       | —             |
| 70A-1-1/3A*†             | White         | 100203322               | KS23751-L1    |
| 70B-2A*                  | Orange        | 100203330               | KS23751-L2    |
| 70C-3A*                  | Blue          | 100203348               | KS23751-L3    |
| 70J-3-1/2A               | Black/White   | —                       | —             |
| 70D-5A*                  | Grn/Black     | 100203355               | KS23751-L4    |
| 70L-6A                   | Grn/White     | —                       | —             |
| 70M-8A                   | Brown/White   | —                       | —             |
| 70N-10A                  | Violet/Yellow | —                       | —             |
| GKB-10A                  | Violet/Yellow | —                       | —             |
| 72A Plastic Case (dummy) |               | 100203421               | —             |
| 72B Blister Pack (dummy) |               | 103757977               | —             |

\* Product designed to comply with Bellcore Technical Reference TR-TSY-000799 Issue 1, December 1988.

† Not UL Recognized.

## 15087 fuse holder

Panel mount fuse holder for use with 70 Type fuses.



### Ratings

- Volts 300 Vdc
- Amps 12 A

### Agency information

- UL Recognized, Guide IZLT2, File E14853
- CE

### Flammability rating

- UL 94V0

### Catalog number 15087

### Typical applications

- Telecommunications DC power circuit protection

### Features

- Panel mount fuse holder for 70 type fuses supplied with two screws
- Remote alarm capability

### Optional color-code eyelets

Color-coded eyelets are used with the fuse holder to indicate its fuse amp rating.

| Catalog no. | Amps   | Color coding  |
|-------------|--------|---------------|
| 1A1706-17   | 15/100 | Red/White     |
| 1A1706-01   | 18/100 | Yellow        |
| 1A1706-15   | 1/10   | Gray/White    |
| 1A1706-02   | 2/10   | Black         |
| 1A1706-03   | 1/4    | Violet        |
| 1A1706-04   | 1/4    | Violet/White  |
| 1A1706-05   | 1/2    | Red           |
| 1A1706-06   | 3/4    | Brown         |
| 1A1706-07   | 1      | Pink          |
| 1A1706-08   | 1-1/3  | White         |
| 1A1706-09   | 2      | Orange        |
| 1A1706-10   | 3      | Blue          |
| 1A1706-16   | 3-1/2  | Black/White   |
| 1A1706-11   | 5      | Green/Black   |
| 1A1706-12   | 6      | Green/White   |
| 1A1706-13   | 8      | Brown/White   |
| 1A1706-14   | 10     | Violet/Yellow |