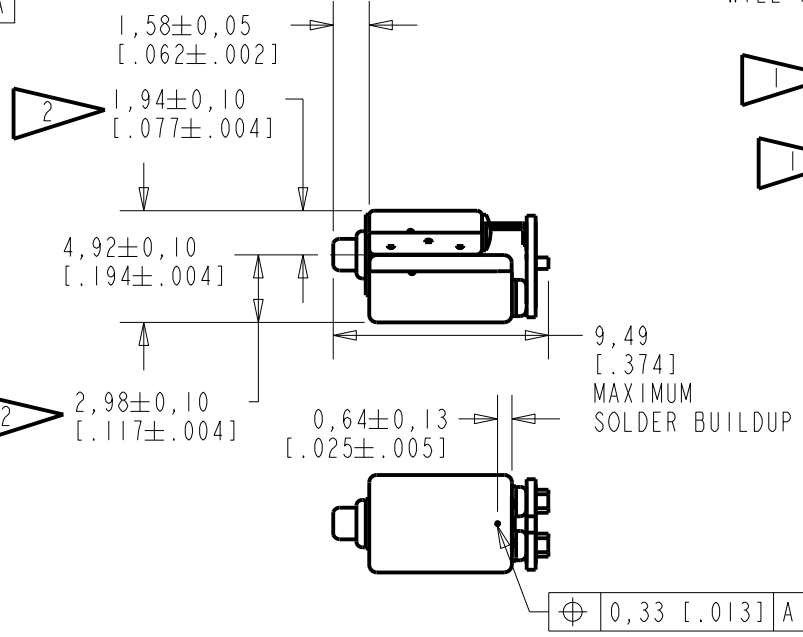
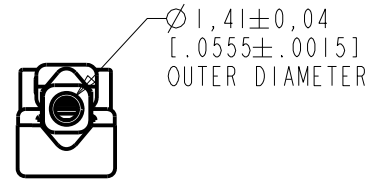
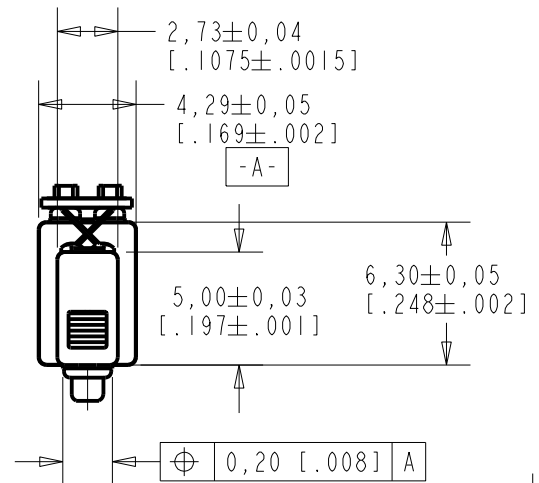
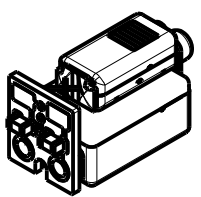
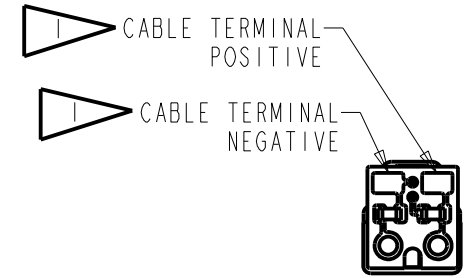


GO-30710-000
SHT 1.1



NOTES:

- 1 A POSITIVE GOING VOLTAGE AT THE POSITIVE TERMINAL RELATIVE TO THE NEGATIVE TERMINAL CAUSES A DECREASE IN PRESSURE AT THE SOUND OUTLETS.
- 2 LOCATED FROM TWO SURFACES FOR CUSTOMER CONVENIENCE. ONLY APPLICABLE FROM ONE SURFACE, NOT TO BE USED TOGETHER.
- 3 IT IS IMPORTANT TO KEEP HOLE CLEAN AND CLEAR AT ALL TIMES. CLOGGING THE HOLE WILL CAUSE PERFORMANCE CHANGES.



NOMINAL WEIGHT
.43 GRAM

DIMENSIONS IN MILLIMETERS [INCHES]

KNOWLES ELECTRONICS
ITASCA, ILLINOIS U.S.A.

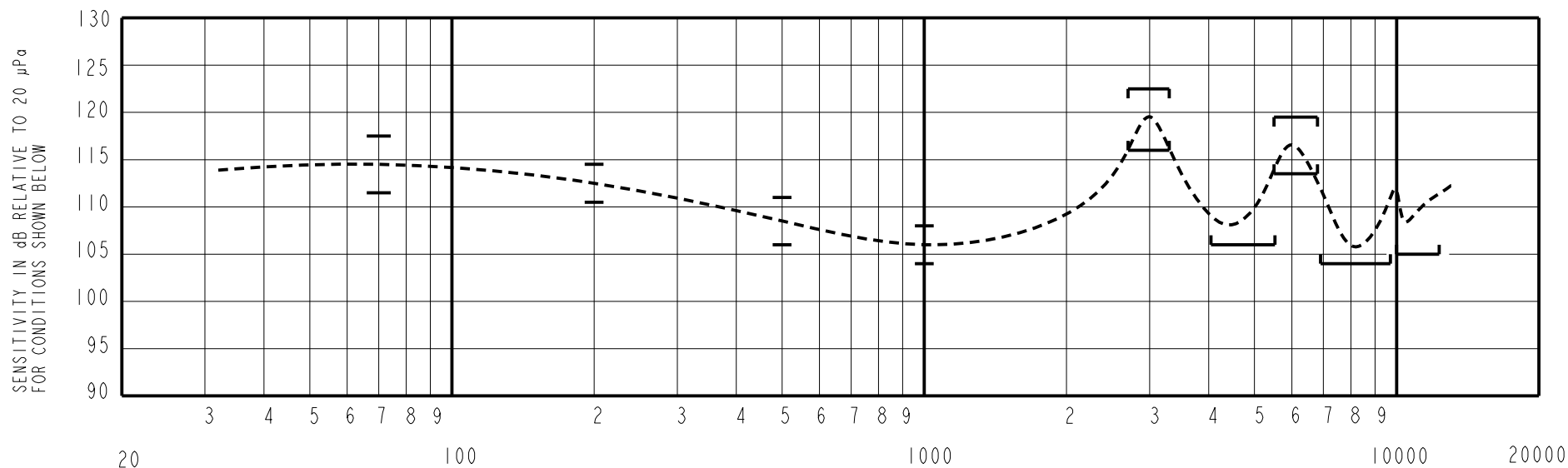
Revision	C.O. #	Implementation Date	RELEASE LEVEL	REVISION
B	C10112167	2-18-11	Active	B
A	C1011210	6-11-10		
SCALE: 3:1				
DO NOT SCALE DRAWING			DR. BY	DATE
TITLE: RECEIVER			LSY	6-11-10
			GO-30710-000	
OUTLINE DRAWING			GJP	6-17-10
			SHT 1.1	
			GJP	6-17-10

UNDAMPED MAGNETIC BALANCED ARMATURE RECEIVERS INTENDED FOR USE AS THE HIGH AND LOW FREQUENCY DRIVERS IN A Hi Fi SYSTEM. THE GO RECEIVER COMBINES A WBFK AND ED RECEIVERS COUPLED THROUGH A CIRCUIT TO PROVIDE THE RESPONSE SHAPE.

NO DAMPING

GO-30710-000
SHEET 2.1

CONSTANT VOLTAGE DRIVE CONDITIONS
TESTED WITH VENT UNSEALED



ACOUSTICAL

SENSITIVITY
DEVICE WILL PRODUCE THE SPL LISTED BELOW UNDER TEST CONDITION IN TABLE 2.
NOMINAL SENSITIVITY AT 1kHz IS dB RELATIVE TO 20 µPa. ALL OTHER VALUES IN dB RELATIVE TO THE SENSITIVITY AT 1kHz.

FREQUENCY (Hz)	MINIMUM	NOMINAL	MAXIMUM
70	+5.5	+8.5	+11.5
200	+4.5	+6.5	+8.5
500	0.0	+2.5	+5.0
1000	-2.0	106.0	+2.0
2700 - 3300	+10.5	+13.5	+16.5
4050 - 5450	0.0	---	---
5400 - 6800	+7.5	+10.5	+13.5
6900 - 9600	-7.0	---	---
10000 - 13000	-6.0	---	---

TABLE 1

TEST CONDITIONS

NOMINAL SOURCE VOLTAGE	0.146 V rms, 0 V DC BIAS
SOURCE IMPEDANCE	<1 Ohm
TUBING	7 X 2 mm + 0.188cc CAVITY
COUPLER CAVITY	IEC 60318-4 ("711")
TEST STATION	FCART

TABLE 2

ELECTRICAL

DC RESISTANCE	25.4 Ohms ± 10%
IMPEDANCE @ 500 Hz	51.7 Ohms ± 15%
IMPEDANCE @ 1kHz	90.0 Ohms ± 15%

TABLE 3

MAXIMUM TOTAL HARMONIC DISTORTION
6% AT 1000 Hz AT 100 dB SPL

MECHANICAL

PORT LOCATION: 12S
SOLDER TYPE: SAC305 (LEAD FREE)

TEMPERATURE:
OPERATING: SENSITIVITY AT 1K Hz WILL NOT VARY
MORE THAN +1/-3 dB FROM 17°C TO 63°C.
STORAGE: -40°C TO 63°C.

ISOLATION: CASE WILL BE ELECTRICALLY ISOLATED FROM THE COIL CIRCUIT.

Revision	C.O. #	Implementation Date	RELEASE LEVEL	REVISION
B	C10112167	2-18-11	Active	B
A	C10111210	6-11-10		

KNOWLES ELECTRONICS
ITASCA, ILLINOIS U.S.A.

WHEN TEST LIMITS ARE USED TO ESTABLISH INCOMING INSPECTION ACCEPTANCE/REJECTION CRITERIA, CORRELATION OF TEST EQUIPMENT WITH KNOWLES IS ALSO REQUIRED FOR ELIMINATION OF EQUIPMENT AND TEST METHOD VARIATION

TITLE: **RECEIVER**
PERFORMANCE SPECIFICATION

GO-30710-000
SHT 2.1

DR. BY	DATE
LSY	6-11-10
CK. BY	DATE
GJP	6-17-10
APP. BY	DATE
GJP	6-17-10