

165-Bump BGA
Commercial Temp
Industrial Temp

72Mb SigmaSIO™ DDR -II Burst of 2 SRAM

400 MHz–250 MHz
1.8 V V_{DD}
1.8 V and 1.5 V I/O

Features

- Simultaneous Read and Write SigmaSIO™ Interface
- JEDEC-standard pinout and package
- Dual Double Data Rate interface
- Byte Write controls sampled at data-in time
- DLL circuitry for wide output data valid window and future frequency scaling
- Burst of 2 Read and Write
- 1.8 V +100/–100 mV core power supply
- 1.5 V or 1.8 V HSTL Interface
- Pipelined read operation
- Fully coherent read and write pipelines
- ZQ mode pin for programmable output drive strength
- IEEE 1149.1 JTAG-compliant Boundary Scan
- 165-bump, 13 mm x 15 mm, 1 mm bump pitch BGA package
- RoHS-compliant 165-bump BGA package available

SigmaSIO™ Family Overview

GS8662S08/09/18/36BD are built in compliance with the SigmaSIO DDR-II SRAM pinout standard for Separate I/O synchronous SRAMs. They are 75,497,472-bit (72Mb) SRAMs. These are the first in a family of wide, very low voltage HSTL I/O SRAMs designed to operate at the speeds needed to implement economical high performance networking systems.

Clocking and Addressing Schemes

A Burst of 2 SigmaSIO DDR-II SRAM is a synchronous device. It employs dual input register clock inputs, K and \bar{K} . The device also allows the user to manipulate the output register clock input quasi independently with dual output register clock inputs, C and \bar{C} . If the C clocks are tied high, the K clocks are routed internally to fire the output registers instead. Each Burst of 2 SigmaSIO DDR-II SRAM also supplies Echo Clock outputs, CQ and \bar{CQ} , which are synchronized with read data output. When used in a source synchronous clocking scheme, the Echo Clock outputs can be used to fire input registers at the data's destination.

Each internal read and write operation in a SigmaSIO DDR-II B2 RAM is two times wider than the device I/O bus. An input data bus de-multiplexer is used to accumulate incoming data before it is simultaneously written to the memory array. An output data multiplexer is used to capture the data produced from a single memory array read and then route it to the appropriate output drivers as needed. Therefore, the address field of a SigmaSIO DDR-II B2 is always one address pin less than the advertised index depth (e.g., the 8M x 8 has an 4M addressable index).

Parameter Synopsis

| | -400 | -350 | -333 | -300 | -250 |
|-------|---------|---------|---------|---------|---------|
| tKHKH | 2.5 ns | 2.86 ns | 3.0 ns | 3.3 ns | 4.0 ns |
| tKHQV | 0.45 ns | 0.45 ns | 0.45 ns | 0.45 ns | 0.45 ns |

8M x 8 SigmaQuad SRAM—Top View

| | 1 | 2 | 3 | 4 | 5 | 6 | 7 | 8 | 9 | 10 | 11 |
|---|------------------------------------|------------------|------------------|--------------------------------|-------------------------|-----------------------|-------------------------|------------------------|------------------|------------------|-----|
| A | $\overline{\text{CQ}}$ | SA | SA | $\text{R}/\overline{\text{W}}$ | $\overline{\text{NW1}}$ | $\overline{\text{K}}$ | NC/SA (144Mb) | $\overline{\text{LD}}$ | SA | SA | CQ |
| B | NC | NC | NC | SA | NC/SA (288Mb) | K | $\overline{\text{NW0}}$ | SA | NC | NC | Q3 |
| C | NC | NC | NC | V_{SS} | SA | SA | SA | V_{SS} | NC | NC | D3 |
| D | NC | D4 | NC | V_{SS} | V_{SS} | V_{SS} | V_{SS} | V_{SS} | NC | NC | NC |
| E | NC | NC | Q4 | V_{DDQ} | V_{SS} | V_{SS} | V_{SS} | V_{DDQ} | NC | D2 | Q2 |
| F | NC | NC | NC | V_{DDQ} | V_{DD} | V_{SS} | V_{DD} | V_{DDQ} | NC | NC | NC |
| G | NC | D5 | Q5 | V_{DDQ} | V_{DD} | V_{SS} | V_{DD} | V_{DDQ} | NC | NC | NC |
| H | $\overline{\text{D}}_{\text{OFF}}$ | V_{REF} | V_{DDQ} | V_{DDQ} | V_{DD} | V_{SS} | V_{DD} | V_{DDQ} | V_{DDQ} | V_{REF} | ZQ |
| J | NC | NC | NC | V_{DDQ} | V_{DD} | V_{SS} | V_{DD} | V_{DDQ} | NC | Q1 | D1 |
| K | NC | NC | NC | V_{DDQ} | V_{DD} | V_{SS} | V_{DD} | V_{DDQ} | NC | NC | NC |
| L | NC | Q6 | D6 | V_{DDQ} | V_{SS} | V_{SS} | V_{SS} | V_{DDQ} | NC | NC | Q0 |
| M | NC | NC | NC | V_{SS} | V_{SS} | V_{SS} | V_{SS} | V_{SS} | NC | NC | D0 |
| N | NC | D7 | NC | V_{SS} | SA | SA | SA | V_{SS} | NC | NC | NC |
| P | NC | NC | Q7 | SA | SA | C | SA | SA | NC | NC | NC |
| R | TDO | TCK | SA | SA | SA | $\overline{\text{C}}$ | SA | SA | SA | TMS | TDI |

11 x 15 Bump BGA—13 x 15 mm Body—1 mm Bump Pitch

Notes:

1. $\overline{\text{NW0}}$ controls writes to D0:D3. $\overline{\text{NW1}}$ controls writes to D4:D7.
2. A7 and B5 are the expansion addresses.

8M x 9 SigmaQuad SRAM—Top View

| | 1 | 2 | 3 | 4 | 5 | 6 | 7 | 8 | 9 | 10 | 11 |
|---|--------------------------|------------------|------------------|--------------------------------|------------------|-----------------------|-------------------------|------------------------|------------------|------------------|-----|
| A | $\overline{\text{CQ}}$ | SA | SA | $\text{R}/\overline{\text{W}}$ | NC | $\overline{\text{K}}$ | NC/SA (144Mb) | $\overline{\text{LD}}$ | SA | SA | CQ |
| B | NC | NC | NC | SA | NC/SA (288Mb) | K | $\overline{\text{BW0}}$ | SA | NC | NC | Q4 |
| C | NC | NC | NC | V_{SS} | SA | SA | SA | V_{SS} | NC | NC | D4 |
| D | NC | D5 | NC | V_{SS} | V_{SS} | V_{SS} | V_{SS} | V_{SS} | NC | NC | NC |
| E | NC | NC | Q5 | V_{DDQ} | V_{SS} | V_{SS} | V_{SS} | V_{DDQ} | NC | D3 | Q3 |
| F | NC | NC | NC | V_{DDQ} | V_{DD} | V_{SS} | V_{DD} | V_{DDQ} | NC | NC | NC |
| G | NC | D6 | Q6 | V_{DDQ} | V_{DD} | V_{SS} | V_{DD} | V_{DDQ} | NC | NC | NC |
| H | $\overline{\text{Doff}}$ | V_{REF} | V_{DDQ} | V_{DDQ} | V_{DD} | V_{SS} | V_{DD} | V_{DDQ} | V_{DDQ} | V_{REF} | ZQ |
| J | NC | NC | NC | V_{DDQ} | V_{DD} | V_{SS} | V_{DD} | V_{DDQ} | NC | Q2 | D2 |
| K | NC | NC | NC | V_{DDQ} | V_{DD} | V_{SS} | V_{DD} | V_{DDQ} | NC | NC | NC |
| L | NC | Q7 | D7 | V_{DDQ} | V_{SS} | V_{SS} | V_{SS} | V_{DDQ} | NC | NC | Q1 |
| M | NC | NC | NC | V_{SS} | V_{SS} | V_{SS} | V_{SS} | V_{SS} | NC | NC | D1 |
| N | NC | D8 | NC | V_{SS} | SA | SA | SA | V_{SS} | NC | NC | NC |
| P | NC | NC | Q8 | SA | SA | C | SA | SA | NC | D0 | Q0 |
| R | TDO | TCK | SA | SA | SA | $\overline{\text{C}}$ | SA | SA | SA | TMS | TDI |

11 x 15 Bump BGA—13 x 15 mm Body—1 mm Bump Pitch

Notes:

1. BW0 controls writes to D0:D7.
2. A7 and B5 are the expansion addresses.

4M x 18 SigmaQuad SRAM—Top View

| | 1 | 2 | 3 | 4 | 5 | 6 | 7 | 8 | 9 | 10 | 11 |
|---|------------------------------------|------------------|-----------|--------------------------------|-------------------------|-----------------------|-------------------------|------------------------|-----------|------------------|-----|
| A | $\overline{\text{CQ}}$ | NC/SA (144Mb) | SA | $\text{R}/\overline{\text{W}}$ | $\overline{\text{BW1}}$ | $\overline{\text{K}}$ | NC/SA (288Mb) | $\overline{\text{LD}}$ | SA | SA | CQ |
| B | NC | Q9 | D9 | SA | NC | K | $\overline{\text{BW0}}$ | SA | NC | NC | Q8 |
| C | NC | NC | D10 | V_{SS} | SA | SA | SA | V_{SS} | NC | Q7 | D8 |
| D | NC | D11 | Q10 | V_{SS} | V_{SS} | V_{SS} | V_{SS} | V_{SS} | NC | NC | D7 |
| E | NC | NC | Q11 | V_{DDQ} | V_{SS} | V_{SS} | V_{SS} | V_{DDQ} | NC | D6 | Q6 |
| F | NC | Q12 | D12 | V_{DDQ} | V_{DD} | V_{SS} | V_{DD} | V_{DDQ} | NC | NC | Q5 |
| G | NC | D13 | Q13 | V_{DDQ} | V_{DD} | V_{SS} | V_{DD} | V_{DDQ} | NC | NC | D5 |
| H | $\overline{\text{D}}_{\text{OFF}}$ | V_{REF} | V_{DDQ} | V_{DDQ} | V_{DD} | V_{SS} | V_{DD} | V_{DDQ} | V_{DDQ} | V_{REF} | ZQ |
| J | NC | NC | D14 | V_{DDQ} | V_{DD} | V_{SS} | V_{DD} | V_{DDQ} | NC | Q4 | D4 |
| K | NC | NC | Q14 | V_{DDQ} | V_{DD} | V_{SS} | V_{DD} | V_{DDQ} | NC | D3 | Q3 |
| L | NC | Q15 | D15 | V_{DDQ} | V_{SS} | V_{SS} | V_{SS} | V_{DDQ} | NC | NC | Q2 |
| M | NC | NC | D16 | V_{SS} | V_{SS} | V_{SS} | V_{SS} | V_{SS} | NC | Q1 | D2 |
| N | NC | D17 | Q16 | V_{SS} | SA | SA | SA | V_{SS} | NC | NC | D1 |
| P | NC | NC | Q17 | SA | SA | C | SA | SA | NC | D0 | Q0 |
| R | TDO | TCK | SA | SA | SA | $\overline{\text{C}}$ | SA | SA | SA | TMS | TDI |

11 x 15 Bump BGA—13 x 15 mm Body—1 mm Bump Pitch

Notes:

1. $\overline{\text{BW0}}$ controls writes to D0:D8. $\overline{\text{BW1}}$ controls writes to D9:D17.
2. A2 and A7 are the expansion addresses.

2M x 36 SigmaQuad SRAM—Top View

| | 1 | 2 | 3 | 4 | 5 | 6 | 7 | 8 | 9 | 10 | 11 |
|---|------------------------------------|------------------|-----------|--------------------------------|-------------------------|-----------------------|-------------------------|------------------------|-----------|------------------|-----|
| A | $\overline{\text{CQ}}$ | NC/SA (288Mb) | SA | $\text{R}/\overline{\text{W}}$ | $\overline{\text{BW2}}$ | $\overline{\text{K}}$ | $\overline{\text{BW1}}$ | $\overline{\text{LD}}$ | SA | NC/SA (144Mb) | CQ |
| B | Q27 | Q18 | D18 | SA | $\overline{\text{BW3}}$ | K | $\overline{\text{BW0}}$ | SA | D17 | Q17 | Q8 |
| C | D27 | Q28 | D19 | V_{SS} | SA | SA | SA | V_{SS} | D16 | Q7 | D8 |
| D | D28 | D20 | Q19 | V_{SS} | V_{SS} | V_{SS} | V_{SS} | V_{SS} | Q16 | D15 | D7 |
| E | Q29 | D29 | Q20 | V_{DDQ} | V_{SS} | V_{SS} | V_{SS} | V_{DDQ} | Q15 | D6 | Q6 |
| F | Q30 | Q21 | D21 | V_{DDQ} | V_{DD} | V_{SS} | V_{DD} | V_{DDQ} | D14 | Q14 | Q5 |
| G | D30 | D22 | Q22 | V_{DDQ} | V_{DD} | V_{SS} | V_{DD} | V_{DDQ} | Q13 | D13 | D5 |
| H | $\overline{\text{D}}_{\text{OFF}}$ | V_{REF} | V_{DDQ} | V_{DDQ} | V_{DD} | V_{SS} | V_{DD} | V_{DDQ} | V_{DDQ} | V_{REF} | ZQ |
| J | D31 | Q31 | D23 | V_{DDQ} | V_{DD} | V_{SS} | V_{DD} | V_{DDQ} | D12 | Q4 | D4 |
| K | Q32 | D32 | Q23 | V_{DDQ} | V_{DD} | V_{SS} | V_{DD} | V_{DDQ} | Q12 | D3 | Q3 |
| L | Q33 | Q24 | D24 | V_{DDQ} | V_{SS} | V_{SS} | V_{SS} | V_{DDQ} | D11 | Q11 | Q2 |
| M | D33 | Q34 | D25 | V_{SS} | V_{SS} | V_{SS} | V_{SS} | V_{SS} | D10 | Q1 | D2 |
| N | D34 | D26 | Q25 | V_{SS} | SA | SA | SA | V_{SS} | Q10 | D9 | D1 |
| P | Q35 | D35 | Q26 | SA | SA | C | SA | SA | Q9 | D0 | Q0 |
| R | TDO | TCK | SA | SA | SA | $\overline{\text{C}}$ | SA | SA | SA | TMS | TDI |

11 x 15 Bump BGA—13 x 15 mm Body—1 mm Bump Pitch

Notes:

1. $\overline{\text{BW0}}$ controls writes to D0:D8. $\overline{\text{BW1}}$ controls writes to D9:D17.
2. $\overline{\text{BW2}}$ controls writes to D18:D26. $\overline{\text{BW3}}$ controls writes to D27:D35.
3. A2 and A10 are the expansion addresses.

Pin Description Table

| Symbol | Description | Type | Comments |
|---|---------------------------------|--------|------------------------------------|
| SA | Synchronous Address Inputs | Input | — |
| $\overline{R\overline{W}}$ | Read/Write Control Pin | Input | Write Active Low; Read Active High |
| $\overline{NW0}\text{--}\overline{NW1}$ | Synchronous Nybble Writes | Input | Active Low x08 Version |
| $\overline{BW0}\text{--}\overline{BW1}$ | Synchronous Byte Writes | Input | Active Low x18 Version |
| $\overline{BW0}\text{--}\overline{BW3}$ | Synchronous Byte Writes | Input | Active Low x36 Version |
| K | Input Clock | Input | Active High |
| C | Output Clock | Input | Active High |
| TMS | Test Mode Select | Input | — |
| TDI | Test Data Input | Input | — |
| TCK | Test Clock Input | Input | — |
| TDO | Test Data Output | Output | — |
| V_{REF} | HSTL Input Reference Voltage | Input | — |
| ZQ | Output Impedance Matching Input | Input | — |
| \overline{K} | Input Clock | Input | Active Low |
| \overline{C} | Output Clock | Output | Active Low |
| \overline{D}_{OFF} | DLL Disable | — | Active Low |
| \overline{LD} | Synchronous Load Pin | — | Active Low |
| \overline{CQ} | Output Echo Clock | Output | Active Low |
| CQ | Output Echo Clock | Output | Active High |
| Dn | Synchronous Data Inputs | Input | — |
| Qn | Synchronous Data Outputs | Output | — |
| V_{DD} | Power Supply | Supply | 1.8 V Nominal |
| V_{DDQ} | Isolated Output Buffer Supply | Supply | 1.8 or 1.5 V Nominal |
| V_{SS} | Power Supply: Ground | Supply | — |
| NC | No Connect | — | — |

Notes:

1. \overline{C} , \overline{C} , \overline{K} , or \overline{K} cannot be set to V_{REF} voltage.
2. When ZQ pin is directly connected to V_{DDQ} , output impedance is set to minimum value and it cannot be connected to ground or left unconnected.
3. NC = Not Connected to die or any other pin

Background

Separate I/O SRAMs, like SigmaQuad SRAMs, are attractive in applications where alternating reads and writes are needed. On the other hand, Common I/O SRAMs like the SigmaCIO family are popular in applications where bursts of read or write traffic are needed. The SigmaSIO SRAM is a hybrid of these two devices. Like the SigmaQuad family devices, the SigmaSIO features a separate I/O data path, offering the user independent Data In and Data Out pins. However, the SigmaSIO devices offer a control protocol like that offered on the SigmaCIO devices. Therefore, while SigmaQuad SRAMs allow a user to operate both data ports at the same time, they force alternating loads of read and write addresses. SigmaSIO SRAMs allow continuous loads of read or write addresses like SigmaCIO SRAMs, but in a separate I/O configuration.

Like a SigmaQuad SRAM, a SigmaSIO DDR-II SRAM can execute an alternating sequence of reads and writes. However, doing so results in the Data In port and the Data Out port stalling with nothing to do on alternate transfers. A SigmaQuad device would keep both ports running at capacity full time. On the other hand, the SigmaSIO device can accept a continuous stream of read commands and read data or a continuous stream of write commands and write data. The SigmaQuad device, by contrast, restricts the user from loading a continuous stream of read or write addresses. The advantage of the SigmaSIO device is that it allows twice the random address bandwidth for either reads or writes than could be achieved with a SigmaQuad version of the device. SigmaDDR (CIO) SRAMs offer this same advantage, but do not have the separate Data In and Data Out pins offered on the SigmaSIO SRAMs. Therefore, SigmaSIO devices are useful in pseudo dual port SRAM applications where communication of burst traffic between two electrically independent busses is desired.

Each of the three SigmaQuad Family SRAMs—SigmaQuad, SigmaDDR, and SigmaSIO—supports similar address rates because random address rate is determined by the internal performance of the RAM. In addition, all three SigmaQuad Family SRAMs are based on the same internal circuits. Differences between the truth tables of the different devices proceed from differences in how the RAM's interface is contrived to interact with the rest of the system. Each mode of operation has its own advantages and disadvantages. The user should consider the nature of the work to be done by the RAM to evaluate which version is best suited to the application at hand.

Burst of 2 SigmaSIO DDR-II SRAM DDR Read

The status of the Address Input, R/\overline{W} , and \overline{LD} pins are sampled at each rising edge of K. \overline{LD} high causes chip disable. A high on the R/\overline{W} pin begins a read cycle. The two resulting data output transfers begin after the next rising edge of the K clock. Data is clocked out by the next rising edge of \overline{C} if it is active. Otherwise, data is clocked out at the next rising edge of \overline{K} . The next data chunk is clocked out on the rising edge of C, if active. Otherwise, data is clocked out on the rising edge of K.

Burst of 2 SigmaSIO DDR-II SRAM DDR Write

The status of the Address Input, R/\overline{W} , and \overline{LD} pins are sampled at each rising edge of K. \overline{LD} high causes chip disable. A low on the R/\overline{W} pin, begins a write cycle. Data is clocked in by the next rising edge of K and then the rising edge of \overline{K} .

Special Functions

Byte Write and Nybble Write Control

Byte Write Enable pins are sampled at the same time that Data In is sampled. A high on the Byte Write Enable pin associated with a particular byte (e.g., $\overline{BW0}$ controls D0–D8 inputs) will inhibit the storage of that particular byte, leaving whatever data may be stored at the current address at that byte location undisturbed. Any or all of the Byte Write Enable pins may be driven high or low during the data in sample times in a write sequence.

Each write enable command and write address loaded into the RAM provides the base address for a 2-beat data transfer. The x18 version of the RAM, for example, may write 36 bits in association with each address loaded. Any 9-bit byte may be masked in any write sequence.

Nybble Write (4-bit) control is implemented on the 8-bit-wide version of the device. For the x8 version of the device, “Nybble Write Enable” and “ \overline{NWx} ” may be substituted in all the discussion above.

Example x18 RAM Write Sequence using Byte Write Enables

| Data In Sample Time | $\overline{BW0}$ | $\overline{BW1}$ | D0–D8 | D9–D17 |
|---------------------|------------------|------------------|------------|------------|
| Beat 1 | 0 | 1 | Data In | Don't Care |
| Beat 2 | 1 | 0 | Don't Care | Data In |

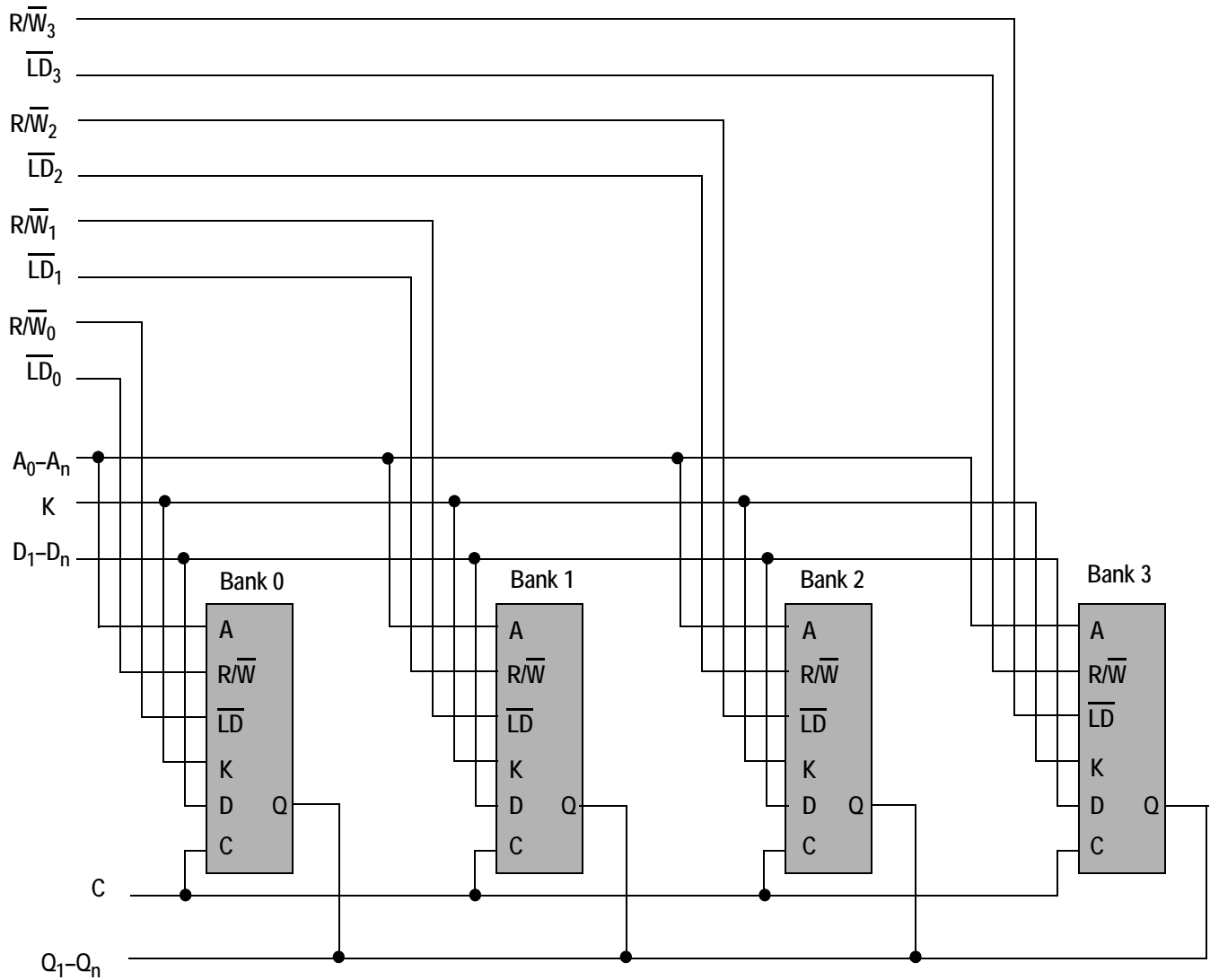
Resulting Write Operation

| Beat 1 | | Beat 2 | |
|---------|-----------|-----------|---------|
| D0–D8 | D9–D17 | D0–D8 | D9–D17 |
| Written | Unchanged | Unchanged | Written |

Output Register Control

SigmaSIO DDR-II SRAMs offer two mechanisms for controlling the output data registers. Typically, control is handled by the Output Register Clock inputs, C and \overline{C} . The Output Register Clock inputs can be used to make small phase adjustments in the firing of the output registers by allowing the user to delay driving data out as much as a few nanoseconds beyond the next rising edges of the K and \overline{K} clocks. If the C and \overline{C} clock inputs are tied high, the RAM reverts to K and \overline{K} control of the outputs.

Example Four Bank Depth Expansion Schematic



Note:
For simplicity \overline{BWN} is not shown.

Burst of 2 SigmaSIO DDR-II SRAM Depth Expansion



FLXDrive-II Output Driver Impedance Control

HSTL I/O SigmaSIO DDR-II SRAMs are supplied with programmable impedance output drivers. The ZQ pin must be connected to V_{SS} via an external resistor, R_Q , to allow the SRAM to monitor and adjust its output driver impedance. The value of R_Q must be 5X the value of the intended line impedance driven by the SRAM. The allowable range of R_Q to guarantee impedance matching with a vendor-specified tolerance is between 175Ω and 350Ω . Periodic readjustment of the output driver impedance is necessary as the impedance is affected by drifts in supply voltage and temperature. The SRAM's output impedance circuitry compensates for drifts in supply voltage and temperature every 1024 cycles. A clock cycle counter periodically triggers an impedance evaluation, resets and counts again. Each impedance evaluation may move the output driver impedance level one step at a time towards the optimum level.

Separate I/O Burst of 2 Sigma SIO-II SRAM Truth Table

| A | \overline{LD} | R/\overline{W} | Current Operation | D | D | Q | Q |
|---------------------------|---------------------------|---------------------------|---------------------------|-------------------------------|--|--|-------------------------------|
| $K \uparrow$ (t_n) | $K \uparrow$ (t_n) | $K \uparrow$ (t_n) | $K \uparrow$ (t_n) | $K \uparrow$ (t_{n+1}) | $\overline{K} \uparrow$ ($t_{n+1/2}$) | $\overline{K} \uparrow$ ($t_{n+1/2}$) | $K \uparrow$ (t_{n+2}) |
| X | 1 | X | Deselect | X | X | Hi-Z | Hi-Z |
| V | 0 | 1 | Read | X | X | Q0 | Q1 |
| V | 0 | 0 | Write | D0 | D1 | Hi-Z | Hi-Z |

Notes:

- "1" = input "high"; "0" = input "low"; "V" = input "valid"; "X" = input "don't care"
- Q0 and Q1 indicate the first and second pieces of output data transferred during Read operations.
- D0 and D1 indicate the first and second pieces of input data transferred during Write operations.
- Users should not clock in metastable addresses.

Burst of 2 Byte Write Clock Truth Table

| \overline{BW} | \overline{BW} | Current Operation | D | D |
|-------------------------------|--|--|-------------------------------|--|
| $K \uparrow$ (t_{n+1}) | $\overline{K} \uparrow$ ($t_{n+1/2}$) | $K \uparrow$ (t_n) | $K \uparrow$ (t_{n+1}) | $\overline{K} \uparrow$ ($t_{n+1/2}$) |
| T | T | Write Dx stored if $\overline{BWn} = 0$ in both data transfers | D1 | D2 |
| T | F | Write Dx stored if $\overline{BWn} = 0$ in 1st data transfer only | D1 | X |
| F | T | Write Dx stored if $\overline{BWn} = 0$ in 2nd data transfer only | X | D2 |
| F | F | Write Abort No Dx stored in either data transfer | X | X |

Notes:

- "1" = input "high"; "0" = input "low"; "X" = input "don't care"; "T" = input "true"; "F" = input "false".
- If one or more $\overline{BWn} = 0$, then $\overline{BW} = "T"$, else $\overline{BW} = "F"$.

x36 Byte Write Enable (\overline{BWn}) Truth Table

| $\overline{BW3}$ | $\overline{BW2}$ | $\overline{BW1}$ | $\overline{BW0}$ | D27–D35 | D18–D26 | D9–D17 | D0–D8 |
|------------------|------------------|------------------|------------------|------------|------------|------------|------------|
| 1 | 1 | 1 | 1 | Don't Care | Don't Care | Don't Care | Don't Care |
| 0 | 1 | 1 | 1 | Don't Care | Don't Care | Don't Care | Data In |
| 1 | 0 | 1 | 1 | Don't Care | Don't Care | Data In | Don't Care |
| 0 | 0 | 1 | 1 | Don't Care | Don't Care | Data In | Data In |
| 1 | 1 | 0 | 1 | Don't Care | Data In | Don't Care | Don't Care |
| 0 | 1 | 0 | 1 | Don't Care | Data In | Don't Care | Data In |
| 1 | 0 | 0 | 1 | Don't Care | Data In | Data In | Don't Care |
| 0 | 0 | 0 | 1 | Don't Care | Data In | Data In | Data In |
| 1 | 1 | 1 | 0 | Data In | Don't Care | Don't Care | Don't Care |
| 0 | 1 | 1 | 0 | Data In | Don't Care | Don't Care | Data In |
| 1 | 0 | 1 | 0 | Data In | Don't Care | Data In | Don't Care |
| 0 | 0 | 1 | 0 | Data In | Don't Care | Data In | Data In |
| 1 | 1 | 0 | 0 | Data In | Data In | Don't Care | Don't Care |
| 0 | 1 | 0 | 0 | Data In | Data In | Don't Care | Data In |
| 1 | 0 | 0 | 0 | Data In | Data In | Data In | Don't Care |
| 0 | 0 | 0 | 0 | Data In | Data In | Data In | Data In |

x18 Byte Write Enable (\overline{BWn}) Truth Table

| $\overline{BW0}$ | $\overline{BW1}$ | D0–D8 | D9–D17 |
|------------------|------------------|------------|------------|
| 1 | 1 | Don't Care | Don't Care |
| 0 | 1 | Data In | Don't Care |
| 1 | 0 | Don't Care | Data In |
| 0 | 0 | Data In | Data In |

x8 Nybble Write Enable (\overline{NWn}) Truth Table

| $\overline{NW1}$ | $\overline{NW0}$ | D9–D17 | D0–D8 |
|------------------|------------------|------------|------------|
| 1 | 1 | Don't Care | Don't Care |
| 0 | 1 | Don't Care | Data In |
| 1 | 0 | Data In | Don't Care |
| 0 | 0 | Data In | Data In |

Absolute Maximum Ratings

(All voltages reference to V_{SS})

| Symbol | Description | Value | Unit |
|-----------|-------------------------------|--|--------------|
| V_{DD} | Voltage on V_{DD} Pins | -0.5 to 2.9 | V |
| V_{DDQ} | Voltage in V_{DDQ} Pins | -0.5 to V_{DD} | V |
| V_{REF} | Voltage in V_{REF} Pins | -0.5 to V_{DDQ} | V |
| $V_{I/O}$ | Voltage on I/O Pins | -0.5 to $V_{DDQ} + 0.3$ (≤ 2.9 V max.) | V |
| V_{IN} | Voltage on Other Input Pins | -0.5 to $V_{DDQ} + 0.3$ (≤ 2.9 V max.) | V |
| I_{IN} | Input Current on Any Pin | +/-100 | mA dc |
| I_{OUT} | Output Current on Any I/O Pin | +/-100 | mA dc |
| T_J | Maximum Junction Temperature | 125 | $^{\circ}$ C |
| T_{STG} | Storage Temperature | -55 to 125 | $^{\circ}$ C |

Note:

Permanent damage to the device may occur if the Absolute Maximum Ratings are exceeded. Operation should be restricted to Recommended Operating Conditions. Exposure to conditions exceeding the Recommended Operating Conditions, for an extended period of time, may affect reliability of this component.

Recommended Operating Conditions

Power Supplies

| Parameter | Symbol | Min. | Typ. | Max. | Unit |
|--------------------|-----------|------|------|----------|------|
| Supply Voltage | V_{DD} | 1.7 | 1.8 | 1.9 | V |
| I/O Supply Voltage | V_{DDQ} | 1.4 | — | V_{DD} | V |
| Reference Voltage | V_{REF} | 0.68 | — | 0.95 | V |

Note:

The power supplies need to be powered up simultaneously or in the following sequence: V_{DD} , V_{DDQ} , V_{REF} , followed by signal inputs. The power down sequence must be the reverse. V_{DDQ} must not exceed V_{DD} . For more information, read **AN1021 SigmaQuad and SigmaDDR Power-Up**.

Operating Temperature

| Parameter | Symbol | Min. | Typ. | Max. | Unit |
|--|--------|------|------|------|--------------|
| Junction Temperature (Commercial Range Versions) | T_J | 0 | 25 | 85 | $^{\circ}$ C |
| Junction Temperature (Industrial Range Versions)* | T_J | -40 | 25 | 100 | $^{\circ}$ C |

Note:

* The part numbers of Industrial Temperature Range versions end with the character "I". Unless otherwise noted, all performance specifications quoted are evaluated for worst case in the temperature range marked on the device.

Thermal Impedance

| Package | Test PCB Substrate | θ_{JA} (C°/W) Airflow = 0 m/s | θ_{JA} (C°/W) Airflow = 1 m/s | θ_{JA} (C°/W) Airflow = 2 m/s | θ_{JB} (C°/W) | θ_{JC} (C°/W) |
|---------|--------------------|---|---|---|----------------------|----------------------|
| 165 BGA | 4-layer | 22.300 | 18.572 | 17.349 | 9.292 | 2.310 |

Notes:

1. Thermal Impedance data is based on a number of samples from multiple lots and should be viewed as a typical number.
2. Please refer to JEDEC standard JESD51-6.
3. The characteristics of the test fixture PCB influence reported thermal characteristics of the device. Be advised that a good thermal path to the PCB can result in cooling or heating of the RAM depending on PCB temperature.

HSTL I/O DC Input Characteristics

| Parameter | Symbol | Min | Max | Units | Notes |
|---------------------|---------------|-----------------|-----------------|-------|-------|
| DC Input Logic High | V_{IH} (dc) | $V_{REF} + 0.1$ | $V_{DDQ} + 0.3$ | mV | 1 |
| DC Input Logic Low | V_{IL} (dc) | -0.3 | $V_{REF} - 0.1$ | mV | 1 |

Note:

Compatible with both 1.8 V and 1.5 V I/O drivers

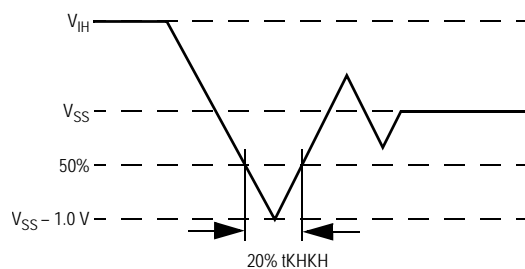
HSTL I/O AC Input Characteristics

| Parameter | Symbol | Min | Max | Units | Notes |
|------------------------------------|----------------|-----------------|-------------------|-------|-------|
| AC Input Logic High | V_{IH} (ac) | $V_{REF} + 0.2$ | — | mV | 2,3 |
| AC Input Logic Low | V_{IL} (ac) | — | $V_{REF} - 0.2$ | mV | 2,3 |
| V_{REF} Peak- to-Peak AC Voltage | V_{REF} (ac) | — | 5% V_{REF} (DC) | mV | 1 |

Notes:

1. The peak-to-peak AC component superimposed on V_{REF} may not exceed 5% of the DC component of V_{REF} .
2. To guarantee AC characteristics, V_{IH} , V_{IL} , Trise, and Tfall of inputs and clocks must be within 10% of each other.
3. For devices supplied with HSTL I/O input buffers. Compatible with both 1.8 V and 1.5 V I/O drivers.

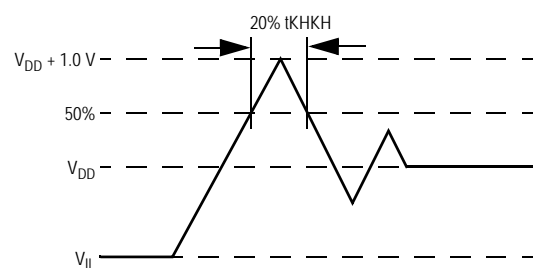
Undershoot Measurement and Timing



Note:

Input Undershoot/Overshoot voltage must be $-2\text{ V} > V_i < V_{DDn} + 2\text{ V}$ not to exceed 4.6 V maximum, with a pulse width not to exceed 20% tK.

Overshoot Measurement and Timing



Capacitance

($T_A = 25^\circ\text{C}$, $f = 1\text{ MHz}$, $V_{DD} = 1.8\text{ V}$)

| Parameter | Symbol | Test conditions | Typ. | Max. | Unit |
|--------------------|-----------|------------------------|------|------|------|
| Input Capacitance | C_{IN} | $V_{IN} = 0\text{ V}$ | 4 | 5 | pF |
| Output Capacitance | C_{OUT} | $V_{OUT} = 0\text{ V}$ | 6 | 7 | pF |
| Clock Capacitance | C_{CLK} | — | 5 | 6 | pF |

Note:

This parameter is sample tested.

AC Test Conditions

| Parameter | Conditions |
|------------------------|-------------|
| Input high level | V_{DDQ} |
| Input low level | 0 V |
| Max. input slew rate | 2 V/ns |
| Input reference level | $V_{DDQ}/2$ |
| Output reference level | $V_{DDQ}/2$ |

Note:

Test conditions as specified with output loading as shown unless otherwise noted.

AC Test Load Diagram



$$R_Q = 250\ \Omega \text{ (HSTL I/O)}$$

$$V_{REF} = 0.75\text{ V}$$

Input and Output Leakage Characteristics

| Parameter | Symbol | Test Conditions | Min. | Max |
|---|--------------------------------|--|------------------|-------------------|
| Input Leakage Current (except mode pins) | I_{IL} | $V_{IN} = 0\text{ to }V_{DD}$ | -2 μA | 2 μA |
| $\overline{\text{Doff}}$ | $I_{IL\overline{\text{DOFF}}}$ | $V_{IN} = 0\text{ to }V_{DD}$ | -2 μA | 100 μA |
| Output Leakage Current | I_{OL} | Output Disable, $V_{OUT} = 0\text{ to }V_{DDQ}$ | -2 μA | 2 μA |

Programmable Impedance HSTL Output Driver DC Electrical Characteristics

| Parameter | Symbol | Min. | Max. | Units | Notes |
|---------------------|-----------|--------------------|--------------------|-------|-------|
| Output High Voltage | V_{OH1} | $V_{DDQ}/2 - 0.12$ | $V_{DDQ}/2 + 0.12$ | V | 1, 3 |
| Output Low Voltage | V_{OL1} | $V_{DDQ}/2 - 0.12$ | $V_{DDQ}/2 + 0.12$ | V | 2, 3 |
| Output High Voltage | V_{OH2} | $V_{DDQ} - 0.2$ | V_{DDQ} | V | 4, 5 |
| Output Low Voltage | V_{OL2} | V_{SS} | 0.2 | V | 4, 6 |

Notes:

- $I_{OH} = (V_{DDQ}/2) / (RQ/5) \pm 15\%$ @ $V_{OH} = V_{DDQ}/2$ (for: $175\Omega \leq RQ \leq 350\Omega$).
- $I_{OL} = (V_{DDQ}/2) / (RQ/5) \pm 15\%$ @ $V_{OL} = V_{DDQ}/2$ (for: $175\Omega \leq RQ \leq 350\Omega$).
- Parameter tested with $RQ = 250\Omega$ and $V_{DDQ} = 1.5$ V or 1.8 V
- $0\Omega \leq RQ \leq \infty\Omega$
- $I_{OH} = -1.0$ mA
- $I_{OL} = 1.0$ mA

Operating Currents

| Parameter | Symbol | Test Conditions | -400 | | -350 | | -333 | | -300 | | -250 | | Notes |
|------------------------------|-----------|---|-----------|-------------|-----------|-------------|-----------|-------------|-----------|-------------|-----------|-------------|-------|
| | | | 0 to 70°C | -40 to 85°C | 0 to 70°C | -40 to 85°C | 0 to 70°C | -40 to 85°C | 0 to 70°C | -40 to 85°C | 0 to 70°C | -40 to 85°C | |
| Operating Current (x36): DDR | I_{DD} | $V_{DD} = \text{Max}$, $I_{OUT} = 0 \text{ mA}$ Cycle Time $\geq t_{KHKH} \text{ Min}$ | 940 mA | 950 mA | 885 mA | 890 mA | 810 mA | 820 mA | 735 mA | 745 mA | 730 mA | 740 mA | 2, 3 |
| Operating Current (x18): DDR | I_{DD} | $V_{DD} = \text{Max}$, $I_{OUT} = 0 \text{ mA}$ Cycle Time $\geq t_{KHKH} \text{ Min}$ | 735 mA | 745 mA | 695 mA | 705 mA | 630 mA | 640 mA | 580 mA | 590 mA | 500 mA | 510 mA | 2, 3 |
| Operating Current (x9): DDR | I_{DD} | $V_{DD} = \text{Max}$, $I_{OUT} = 0 \text{ mA}$ Cycle Time $\geq t_{KHKH} \text{ Min}$ | 735 mA | 745 mA | 695 mA | 705 mA | 630 mA | 640 mA | 580 mA | 590 mA | 500 mA | 510 mA | 2, 3 |
| Operating Current (x8): DDR | I_{DD} | $V_{DD} = \text{Max}$, $I_{OUT} = 0 \text{ mA}$ Cycle Time $\geq t_{KHKH} \text{ Min}$ | 735 mA | 745 mA | 695 mA | 705 mA | 630 mA | 640 mA | 580 mA | 590 mA | 500 mA | 510 mA | 2, 3 |
| Standby Current (NOP): DDR | I_{SB1} | Device deselected, $I_{OUT} = 0 \text{ mA}$, $f = \text{Max}$, All Inputs $\leq 0.2 \text{ V}$ or $\geq V_{DD} - 0.2 \text{ V}$ | 260 mA | 270 mA | 250 mA | 260 mA | 240 mA | 250 mA | 230 mA | 240 mA | 215 mA | 225 mA | 2, 4 |

Notes:

1. Power measured with output pins floating.
2. Minimum cycle, $I_{OUT} = 0 \text{ mA}$
3. Operating current is calculated with 50% read cycles and 50% write cycles.
4. Standby Current is only after all pending read and write burst operations are completed.

AC Electrical Characteristics

| Parameter | Symbol | -400 | | -350 | | -333 | | -300 | | -250 | | Units | Notes |
|--|--|-------|------|-------|------|-------|------|-------|------|-------|------|-------|-------|
| | | Min | Max | Min | Max | Min | Max | Min | Max | Min | Max | | |
| Clock | | | | | | | | | | | | | |
| K, \bar{K} Clock Cycle Time C, \bar{C} Clock Cycle Time | t_{KHCH} t_{CHCH} | 2.5 | 8.4 | 2.86 | 8.4 | 3.0 | 8.4 | 3.3 | 8.4 | 4.0 | 8.4 | ns | |
| t _{KC} Variable | t_{KCVar} | — | 0.2 | — | 0.2 | — | 0.2 | — | 0.2 | — | 0.2 | ns | 6 |
| K, \bar{K} Clock High Pulse Width C, \bar{C} Clock High Pulse Width | t_{KHKL} t_{CHCL} | 1.0 | — | 1.13 | — | 1.2 | — | 1.32 | — | 1.6 | — | ns | |
| K, \bar{K} Clock Low Pulse Width C, \bar{C} Clock Low Pulse Width | t_{KLKH} t_{CLCH} | 1.0 | — | 1.13 | — | 1.2 | — | 1.32 | — | 1.6 | — | ns | |
| K to \bar{K} High C to \bar{C} High | $t_{KH\bar{K}H}$ $t_{CH\bar{C}H}$ | 1.0 | — | 1.13 | — | 1.35 | — | 1.49 | — | 1.8 | — | ns | |
| \bar{K} to K High C to C High | $t_{\bar{K}KH}$ $t_{\bar{C}CH}$ | 1.0 | — | 1.13 | — | 1.35 | — | 1.49 | — | 1.8 | — | ns | |
| K, \bar{K} Clock High to C, \bar{C} Clock High | t_{KHCH} | 0 | 1.13 | 0 | 1.29 | 0 | 1.35 | 0 | 1.49 | 0 | 1.8 | ns | |
| DLL Lock Time | t_{KCLock} | 1024 | — | 1024 | — | 1024 | — | 1024 | — | 1024 | — | cycle | 7 |
| K Static to DLL reset | $t_{KCRReset}$ | 30 | — | 30 | — | 30 | — | 30 | — | 30 | — | ns | |
| Output Times | | | | | | | | | | | | | |
| K, \bar{K} Clock High to Data Output Valid C, \bar{C} Clock High to Data Output Valid | $t_{KH OV}$ $t_{CH OV}$ | — | 0.45 | — | 0.45 | — | 0.45 | — | 0.45 | — | 0.45 | ns | 4 |
| K, \bar{K} Clock High to Data Output Hold C, \bar{C} Clock High to Data Output Hold | $t_{KH OX}$ $t_{CH OX}$ | -0.45 | — | -0.45 | — | -0.45 | — | -0.45 | — | -0.45 | — | ns | 4 |
| K, \bar{K} Clock High to Echo Clock Valid C, \bar{C} Clock High to Echo Clock Valid | $t_{KH COV}$ $t_{CH COV}$ | — | 0.45 | — | 0.45 | — | 0.45 | — | 0.45 | — | 0.45 | ns | |
| K, \bar{K} Clock High to Echo Clock Hold C, \bar{C} Clock High to Echo Clock Hold | $t_{KH COX}$ $t_{CH COX}$ | -0.45 | — | -0.45 | — | -0.45 | — | -0.45 | — | -0.45 | — | ns | |
| CQ, $\bar{C}Q$ High Output Valid | $t_{COH OV}$ | — | 0.20 | — | 0.23 | — | 0.25 | — | 0.27 | — | 0.30 | ns | 8 |
| CQ, $\bar{C}Q$ High Output Hold | $t_{COH OX}$ | -0.20 | — | -0.23 | — | -0.25 | — | -0.27 | — | -0.30 | — | ns | 8 |
| CQ Phase Distortion | $t_{COH\bar{C}OH}$ $t_{\bar{C}OHCOH}$ | 0.9 | — | 1.0 | — | 1.10 | — | 1.24 | — | 1.55 | — | ns | |
| K Clock High to Data Output High-Z C Clock High to Data Output High-Z | $t_{KH OZ}$ $t_{CH OZ}$ | — | 0.45 | — | 0.45 | — | 0.45 | — | 0.45 | — | 0.45 | ns | 4 |
| K Clock High to Data Output Low-Z C Clock High to Data Output Low-Z | $t_{KH OX1}$ $t_{CH OX1}$ | -0.45 | — | -0.45 | — | -0.45 | — | -0.45 | — | -0.45 | — | ns | 4 |
| Setup Times | | | | | | | | | | | | | |
| Address Input Setup Time | t_{AVKH} | 0.4 | — | 0.4 | — | 0.4 | — | 0.4 | — | 0.5 | — | ns | 1 |
| Control Input Setup Time(R/ \bar{W}) (\bar{LD}) | t_{IVKH} | 0.4 | — | 0.4 | — | 0.4 | — | 0.4 | — | 0.5 | — | ns | 2 |
| Control Input Setup Time (BWX) (NWX) | t_{IVKH} | 0.28 | — | 0.28 | — | 0.28 | — | 0.3 | — | 0.35 | — | ns | 3 |
| Data Input Setup Time | t_{DVKH} | 0.28 | — | 0.28 | — | 0.28 | — | 0.3 | — | 0.35 | — | ns | |

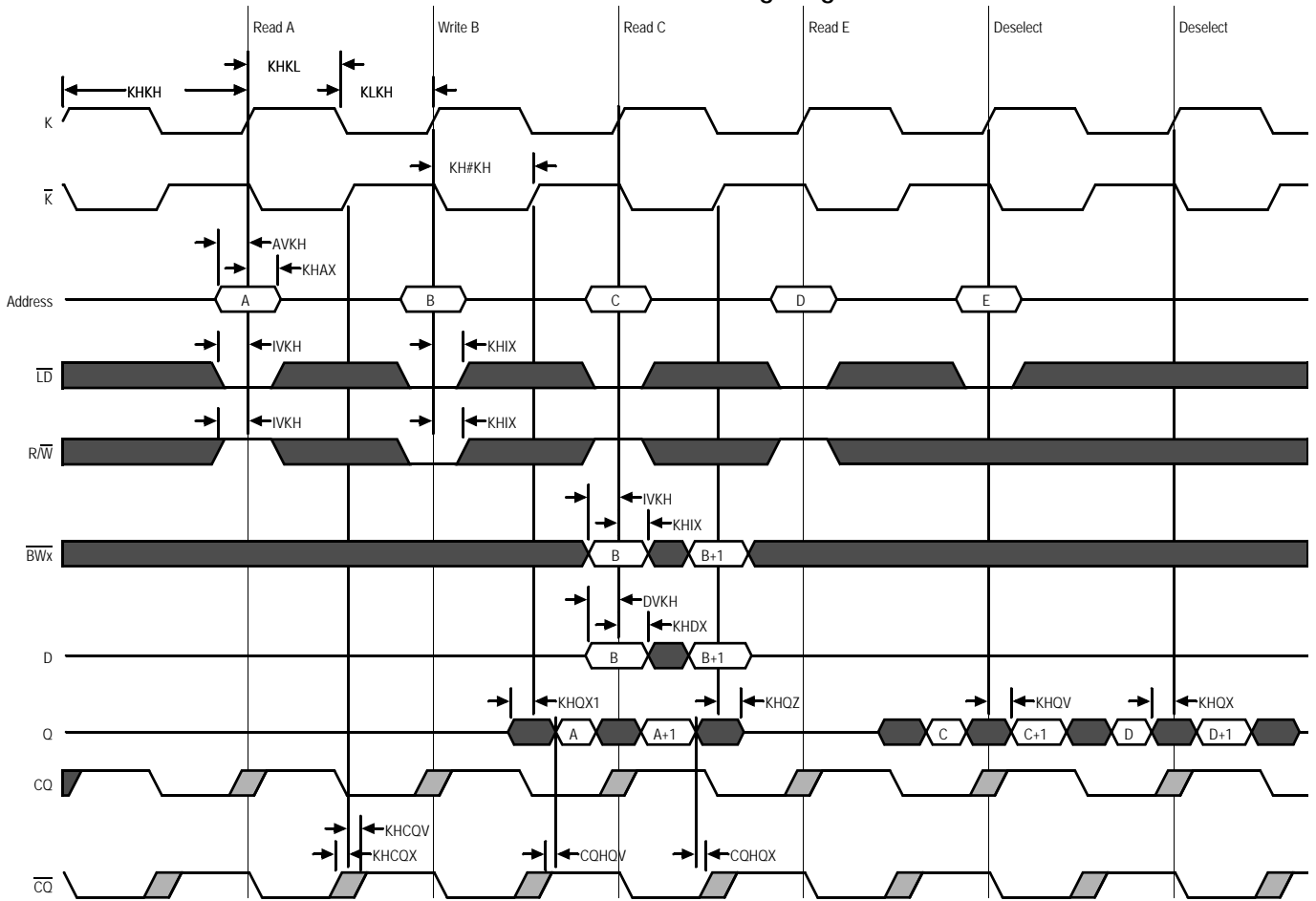
AC Electrical Characteristics (Continued)

| Parameter | Symbol | -400 | | -350 | | -333 | | -300 | | -250 | | Units | Notes |
|---|------------|------|-----|------|-----|------|-----|------|-----|------|-----|-------|-------|
| | | Min | Max | Min | Max | Min | Max | Min | Max | Min | Max | | |
| Hold Times | | | | | | | | | | | | | |
| Address Input Hold Time | t_{KHAX} | 0.4 | — | 0.4 | — | 0.4 | — | 0.4 | — | 0.5 | — | ns | 1 |
| Control Input Hold Time (R/ \overline{W}) (\overline{LD}) | t_{KHIX} | 0.4 | — | 0.4 | — | 0.4 | — | 0.4 | — | 0.5 | — | ns | 2 |
| Control Input Hold Time (BW \overline{X}) (NW \overline{X}) | t_{KHIX} | 0.28 | — | 0.28 | — | 0.28 | — | 0.3 | — | 0.35 | — | ns | 3 |
| Data Input Hold Time | t_{KHDX} | 0.28 | — | 0.28 | — | 0.28 | — | 0.3 | — | 0.35 | — | ns | |

Notes:

- All Address inputs must meet the specified setup and hold times for all latching clock edges.
- Control signals are R/ \overline{W} , \overline{LD} .
- Control signals are $\overline{BW0}$, $\overline{BW1}$, and ($\overline{NW0}$, $\overline{NW1}$ for x8) and ($\overline{BW2}$, $\overline{BW3}$ for x36).
- If C, \overline{C} are tied high, K, \overline{K} become the references for C, \overline{C} timing parameters
- To avoid bus contention, at a given voltage and temperature tCHQX1 is bigger than tCHQZ. The specs as shown do not imply bus contention because tCHQX1 is a MIN parameter that is worst case at totally different test conditions (0°C, 1.9 V) than tCHQZ, which is a MAX parameter (worst case at 70°C, 1.7 V). It is not possible for two SRAMs on the same board to be at such different voltages and temperatures.
- Clock phase jitter is the variance from clock rising edge to the next expected clock rising edge.
- V_{DD} slew rate must be less than 0.1 V DC per 50 ns for DLL lock retention. DLL lock time begins once V_{DD} and input clock are stable.
- Echo clock is very tightly controlled to data valid/data hold. By design, there is a ± 0.1 ns variation from echo clock to data. The datasheet parameters reflect tester guard bands and test setup variations.

K Controlled Read-First Timing Diagram



K Controlled Write-First Timing Diagram



C Controlled Read-First Timing Diagram



C Controlled Write-First Timing Diagram



JTAG Port Operation

Overview

The JTAG Port on this RAM operates in a manner that is compliant with IEEE Standard 1149.1-1990, a serial boundary scan interface standard (commonly referred to as JTAG). The JTAG Port input interface levels scale with V_{DD} . The JTAG output drivers are powered by V_{DD} .

Disabling the JTAG Port

It is possible to use this device without utilizing the JTAG port. The port is reset at power-up and will remain inactive unless clocked. TCK, TDI, and TMS are designed with internal pull-up circuits. To assure normal operation of the RAM with the JTAG Port unused, TCK, TDI, and TMS may be left floating or tied to either V_{DD} or V_{SS} . TDO should be left unconnected.

JTAG Pin Descriptions

| Pin | Pin Name | I/O | Description |
|-----|------------------|-----|--|
| TCK | Test Clock | In | Clocks all TAP events. All inputs are captured on the rising edge of TCK and all outputs propagate from the falling edge of TCK. |
| TMS | Test Mode Select | In | The TMS input is sampled on the rising edge of TCK. This is the command input for the TAP controller state machine. An undriven TMS input will produce the same result as a logic one input level. |
| TDI | Test Data In | In | The TDI input is sampled on the rising edge of TCK. This is the input side of the serial registers placed between TDI and TDO. The register placed between TDI and TDO is determined by the state of the TAP Controller state machine and the instruction that is currently loaded in the TAP Instruction Register (refer to the TAP Controller State Diagram). An undriven TDI pin will produce the same result as a logic one input level. |
| TDO | Test Data Out | Out | Output that is active depending on the state of the TAP state machine. Output changes in response to the falling edge of TCK. This is the output side of the serial registers placed between TDI and TDO. |

Note:

This device does not have a TRST (TAP Reset) pin. TRST is optional in IEEE 1149.1. The Test-Logic-Reset state is entered while TMS is held high for five rising edges of TCK. The TAP Controller is also reset automatically at power-up.

JTAG Port Registers

Overview

The various JTAG registers, referred to as Test Access Port or TAP Registers, are selected (one at a time) via the sequences of 1s and 0s applied to TMS as TCK is strobed. Each of the TAP Registers is a serial shift register that captures serial input data on the rising edge of TCK and pushes serial data out on the next falling edge of TCK. When a register is selected, it is placed between the TDI and TDO pins.

Instruction Register

The Instruction Register holds the instructions that are executed by the TAP controller when it is moved into the Run, Test/Idle, or the various data register states. Instructions are 3 bits long. The Instruction Register can be loaded when it is placed between the TDI and TDO pins. The Instruction Register is automatically preloaded with the IDCODE instruction at power-up or whenever the controller is placed in Test-Logic-Reset state.

Bypass Register

The Bypass Register is a single bit register that can be placed between TDI and TDO. It allows serial test data to be passed through the RAM's JTAG Port to another device in the scan chain with as little delay as possible.

Boundary Scan Register

The Boundary Scan Register is a collection of flip flops that can be preset by the logic level found on the RAM's input or I/O pins. The flip flops are then daisy chained together so the levels found can be shifted serially out of the JTAG Port's TDO pin. The Boundary Scan Register also includes a number of place holder flip flops (always set to a logic 1). The relationship between the device pins and the bits in the Boundary Scan Register is described in the Scan Order Table following. The Boundary Scan Register, under the control of the TAP Controller, is loaded with the contents of the RAMs I/O ring when the controller is in Capture-DR state and then is placed between the TDI and TDO pins when the controller is moved to Shift-DR state. SAMPLE-Z, SAMPLE/PRELOAD and EXTEST instructions can be used to activate the Boundary Scan Register.

JTAG TAP Block Diagram



Identification (ID) Register

The ID Register is a 32-bit register that is loaded with a device and vendor specific 32-bit code when the controller is put in Capture-DR state with the IDCODE command loaded in the Instruction Register. The code is loaded from a 32-bit on-chip ROM. It describes various attributes of the RAM as indicated below. The register is then placed between the TDI and TDO pins when the controller is moved into Shift-DR state. Bit 0 in the register is the LSB and the first to reach TDO when shifting begins.

ID Register Contents

| | | | | | | | | | | | | | | | | | | | | | | | | | | | | | | | | | |
|----------------|----|----|----|----|----|----|----|----|----|----|----|----|----|----|----|----|----|----|---|----|----|----|---|---|---|-------------------|---|---|---|---|---|---|---|
| See BSDL Model | | | | | | | | | | | | | | | | | | | GSI Technology JEDEC Vendor ID Code | | | | | | | Presence Register | | | | | | | |
| Bit # | 31 | 30 | 29 | 28 | 27 | 26 | 25 | 24 | 23 | 22 | 21 | 20 | 19 | 18 | 17 | 16 | 15 | 14 | 13 | 12 | 11 | 10 | 9 | 8 | 7 | | 6 | 5 | 4 | 3 | 2 | 1 | 0 |
| | X | X | X | X | X | X | X | X | X | X | X | X | X | X | X | X | X | X | X | X | X | 0 | 0 | 0 | 1 | 1 | 0 | 1 | 1 | 0 | 0 | 1 | 1 |

Tap Controller Instruction Set

Overview

There are two classes of instructions defined in the Standard 1149.1-1990; the standard (Public) instructions, and device specific (Private) instructions. Some Public instructions are mandatory for 1149.1 compliance. Optional Public instructions must be implemented in prescribed ways. The TAP on this device may be used to monitor all input and I/O pads, and can be used to load address, data or control signals into the RAM or to preload the I/O buffers.

When the TAP controller is placed in Capture-IR state the two least significant bits of the instruction register are loaded with 01. When the controller is moved to the Shift-IR state the Instruction Register is placed between TDI and TDO. In this state the desired instruction is serially loaded through the TDI input (while the previous contents are shifted out at TDO). For all instructions, the TAP executes newly loaded instructions only when the controller is moved to Update-IR state. The TAP instruction set for this device is listed in the following table.

Typically, the Boundary Scan Register is loaded with the desired pattern of data with the SAMPLE/PRELOAD command. Then the EXTEST command is used to output the Boundary Scan Register's contents, in parallel, on the RAM's data output drivers on the falling edge of TCK when the controller is in the Update-IR state.

Alternately, the Boundary Scan Register may be loaded in parallel using the EXTEST command. When the EXTEST instruction is selected, the state of all the RAM's input and I/O pins, as well as the default values at Scan Register locations not associated with a pin, are transferred in parallel into the Boundary Scan Register on the rising edge of TCK in the Capture-DR state, the RAM's output pins drive out the value of the Boundary Scan Register location with which each output pin is associated.

IDCODE

The IDCODE instruction causes the ID ROM to be loaded into the ID register when the controller is in Capture-DR mode and places the ID register between the TDI and TDO pins in Shift-DR mode. The IDCODE instruction is the default instruction loaded in at power up and any time the controller is placed in the Test-Logic-Reset state.

SAMPLE-Z

If the SAMPLE-Z instruction is loaded in the instruction register, all RAM outputs are forced to an inactive drive state (high-Z) and the Boundary Scan Register is connected between TDI and TDO when the TAP controller is moved to the Shift-DR state.

JTAG TAP Instruction Set Summary

| Instruction | Code | Description | Notes |
|----------------|------|--|-------|
| EXTEST | 000 | Places the Boundary Scan Register between TDI and TDO. | 1 |
| IDCODE | 001 | Preloads ID Register and places it between TDI and TDO. | 1, 2 |
| SAMPLE-Z | 010 | Captures I/O ring contents. Places the Boundary Scan Register between TDI and TDO. Forces all RAM output drivers to High-Z. | 1 |
| GSI | 011 | GSI private instruction. | 1 |
| SAMPLE/PRELOAD | 100 | Captures I/O ring contents. Places the Boundary Scan Register between TDI and TDO. | 1 |
| GSI | 101 | GSI private instruction. | 1 |
| GSI | 110 | GSI private instruction. | 1 |
| BYPASS | 111 | Places Bypass Register between TDI and TDO. | 1 |

Notes:

1. Instruction codes expressed in binary, MSB on left, LSB on right.
2. Default instruction automatically loaded at power-up and in test-logic-reset state.

JTAG Port Recommended Operating Conditions and DC Characteristics

| Parameter | Symbol | Min. | Max. | Unit | Notes |
|--|------------|----------------|----------------|---------|-------|
| Test Port Input Low Voltage | V_{ILJ} | -0.3 | $0.3 * V_{DD}$ | V | 1 |
| Test Port Input High Voltage | V_{IHJ} | $0.7 * V_{DD}$ | $V_{DD} + 0.3$ | V | 1 |
| TMS, TCK and TDI Input Leakage Current | I_{INHJ} | -300 | 1 | μA | 2 |
| TMS, TCK and TDI Input Leakage Current | I_{INLJ} | -1 | 100 | μA | 3 |
| TDO Output Leakage Current | I_{OLJ} | -1 | 1 | μA | 4 |
| Test Port Output High Voltage | V_{OHJ} | $V_{DD} - 0.2$ | — | V | 5, 6 |
| Test Port Output Low Voltage | V_{OLJ} | — | 0.2 | V | 5, 7 |
| Test Port Output CMOS High | V_{OHJC} | $V_{DD} - 0.1$ | — | V | 5, 8 |
| Test Port Output CMOS Low | V_{OLJC} | — | 0.1 | V | 5, 9 |

Notes:

- Input Under/overshoot voltage must be $-1 V < V_i < V_{DDn} + 1 V$ not to exceed V maximum, with a pulse width not to exceed 20% tTKC.
- $V_{ILJ} \leq V_{IN} \leq V_{DDn}$
- $0 V \leq V_{IN} \leq V_{ILJn}$
- Output Disable, $V_{OUT} = 0$ to V_{DDn}
- The TDO output driver is served by the V_{DD} supply.
- $I_{OHJ} = -2 \text{ mA}$
- $I_{OLJ} = +2 \text{ mA}$
- $I_{OHJC} = -100 \text{ }\mu A$
- $I_{OLJC} = +100 \text{ }\mu A$

JTAG Port AC Test Conditions

| Parameter | Conditions |
|------------------------|------------------|
| Input high level | $V_{DD} - 0.2 V$ |
| Input low level | 0.2 V |
| Input slew rate | 1 V/ns |
| Input reference level | $V_{DD}/2$ |
| Output reference level | $V_{DD}/2$ |

Notes:

- Include scope and jig capacitance.
- Test conditions as shown unless otherwise noted.



JTAG Port Timing Diagram



JTAG Port AC Electrical Characteristics

| Parameter | Symbol | Min | Max | Unit |
|-----------------------|-----------|-----|-----|------|
| TCK Cycle Time | t_{TKC} | 50 | — | ns |
| TCK Low to TDO Valid | t_{TKQ} | — | 20 | ns |
| TCK High Pulse Width | t_{TKH} | 20 | — | ns |
| TCK Low Pulse Width | t_{TKL} | 20 | — | ns |
| TDI & TMS Set Up Time | t_{TS} | 10 | — | ns |
| TDI & TMS Hold Time | t_{TH} | 10 | — | ns |

Package Dimensions—165-Bump FPBGA (Package D)



Ordering Information—GSI SigmaSIO DDR-II SRAM

| Org | Part Number ¹ | Type | Package | Speed (MHz) | T _J ² |
|---------|--------------------------|----------------------|--------------|-------------|-----------------------------|
| 2M x 36 | GS8662S36BD-400 | SigmaSIO DDR-II SRAM | 165-bump BGA | 400 | C |
| 2M x 36 | GS8662S36BD-350 | SigmaSIO DDR-II SRAM | 165-bump BGA | 350 | C |
| 2M x 36 | GS8662S36BD-333 | SigmaSIO DDR-II SRAM | 165-bump BGA | 333 | C |
| 2M x 36 | GS8662S36BD-300 | SigmaSIO DDR-II SRAM | 165-bump BGA | 300 | C |
| 2M x 36 | GS8662S36BD-250 | SigmaSIO DDR-II SRAM | 165-bump BGA | 250 | C |
| 2M x 36 | GS8662S36BD-400I | SigmaSIO DDR-II SRAM | 165-bump BGA | 400 | I |
| 2M x 36 | GS8662S36BD-350I | SigmaSIO DDR-II SRAM | 165-bump BGA | 350 | I |
| 2M x 36 | GS8662S36BD-333I | SigmaSIO DDR-II SRAM | 165-bump BGA | 333 | I |
| 2M x 36 | GS8662S36BD-300I | SigmaSIO DDR-II SRAM | 165-bump BGA | 300 | I |
| 2M x 36 | GS8662S36BD-250I | SigmaSIO DDR-II SRAM | 165-bump BGA | 250 | I |
| 4M x 18 | GS8662S18BD-400 | SigmaSIO DDR-II SRAM | 165-bump BGA | 400 | C |
| 4M x 18 | GS8662S18BD-350 | SigmaSIO DDR-II SRAM | 165-bump BGA | 350 | C |
| 4M x 18 | GS8662S18BD-333 | SigmaSIO DDR-II SRAM | 165-bump BGA | 333 | C |
| 4M x 18 | GS8662S18BD-300 | SigmaSIO DDR-II SRAM | 165-bump BGA | 300 | C |
| 4M x 18 | GS8662S18BD-250 | SigmaSIO DDR-II SRAM | 165-bump BGA | 250 | C |
| 4M x 18 | GS8662S18BD-400I | SigmaSIO DDR-II SRAM | 165-bump BGA | 400 | I |
| 4M x 18 | GS8662S18BD-350I | SigmaSIO DDR-II SRAM | 165-bump BGA | 350 | I |
| 4M x 18 | GS8662S18BD-333I | SigmaSIO DDR-II SRAM | 165-bump BGA | 333 | I |
| 4M x 18 | GS8662S18BD-300I | SigmaSIO DDR-II SRAM | 165-bump BGA | 300 | I |
| 4M x 18 | GS8662S18BD-250I | SigmaSIO DDR-II SRAM | 165-bump BGA | 250 | I |
| 8M x 9 | GS8662S09BD-400 | SigmaSIO DDR-II SRAM | 165-bump BGA | 400 | C |
| 8M x 9 | GS8662S09BD-350 | SigmaSIO DDR-II SRAM | 165-bump BGA | 350 | C |
| 8M x 9 | GS8662S09BD-333 | SigmaSIO DDR-II SRAM | 165-bump BGA | 333 | C |
| 8M x 9 | GS8662S09BD-300 | SigmaSIO DDR-II SRAM | 165-bump BGA | 300 | C |
| 8M x 9 | GS8662S09BD-250 | SigmaSIO DDR-II SRAM | 165-bump BGA | 250 | C |
| 8M x 9 | GS8662S09BD-400I | SigmaSIO DDR-II SRAM | 165-bump BGA | 400 | I |
| 8M x 9 | GS8662S09BD-350I | SigmaSIO DDR-II SRAM | 165-bump BGA | 350 | I |
| 8M x 9 | GS8662S09BD-333I | SigmaSIO DDR-II SRAM | 165-bump BGA | 333 | I |
| 8M x 9 | GS8662S09BD-300I | SigmaSIO DDR-II SRAM | 165-bump BGA | 300 | I |
| 8M x 9 | GS8662S09BD-250I | SigmaSIO DDR-II SRAM | 165-bump BGA | 250 | I |
| 8M x 8 | GS8662S08BD-400 | SigmaSIO DDR-II SRAM | 165-bump BGA | 400 | C |
| 8M x 8 | GS8662S08BD-350 | SigmaSIO DDR-II SRAM | 165-bump BGA | 350 | C |

Notes:

1. Customers requiring delivery in Tape and Reel should add the character "T" to the end of the part number. Example: GS8662S36BD-300T.
2. C = Commercial Temperature Range. I = Industrial Temperature Range.

Ordering Information—GSI SigmaSIO DDR-II SRAM

| Org | Part Number ¹ | Type | Package | Speed (MHz) | T _J ² |
|---------|--------------------------|----------------------|-----------------------------|-------------|-----------------------------|
| 8M x 8 | GS8662S08BD-333 | SigmaSIO DDR-II SRAM | 165-bump BGA | 333 | C |
| 8M x 8 | GS8662S08BD-300 | SigmaSIO DDR-II SRAM | 165-bump BGA | 300 | C |
| 8M x 8 | GS8662S08BD-250 | SigmaSIO DDR-II SRAM | 165-bump BGA | 250 | C |
| 8M x 8 | GS8662S08BD-400I | SigmaSIO DDR-II SRAM | 165-bump BGA | 400 | I |
| 8M x 8 | GS8662S08BD-350I | SigmaSIO DDR-II SRAM | 165-bump BGA | 350 | I |
| 8M x 8 | GS8662S08BD-333I | SigmaSIO DDR-II SRAM | 165-bump BGA | 333 | I |
| 8M x 8 | GS8662S08BD-300I | SigmaSIO DDR-II SRAM | 165-bump BGA | 300 | I |
| 8M x 8 | GS8662S08BD-250I | SigmaSIO DDR-II SRAM | 165-bump BGA | 250 | I |
| 2M x 36 | GS8662S36BGD-400 | SigmaSIO DDR-II SRAM | RoHS-compliant 165-bump BGA | 400 | C |
| 2M x 36 | GS8662S36BGD-350 | SigmaSIO DDR-II SRAM | RoHS-compliant 165-bump BGA | 350 | C |
| 2M x 36 | GS8662S36BGD-333 | SigmaSIO DDR-II SRAM | RoHS-compliant 165-bump BGA | 333 | C |
| 2M x 36 | GS8662S36BGD-300 | SigmaSIO DDR-II SRAM | RoHS-compliant 165-bump BGA | 300 | C |
| 2M x 36 | GS8662S36BGD-250 | SigmaSIO DDR-II SRAM | RoHS-compliant 165-bump BGA | 250 | C |
| 2M x 36 | GS8662S36BGD-400I | SigmaSIO DDR-II SRAM | RoHS-compliant 165-bump BGA | 400 | I |
| 2M x 36 | GS8662S36BGD-350I | SigmaSIO DDR-II SRAM | RoHS-compliant 165-bump BGA | 350 | I |
| 2M x 36 | GS8662S36BGD-333I | SigmaSIO DDR-II SRAM | RoHS-compliant 165-bump BGA | 333 | I |
| 2M x 36 | GS8662S36BGD-300I | SigmaSIO DDR-II SRAM | RoHS-compliant 165-bump BGA | 300 | I |
| 2M x 36 | GS8662S36BGD-250I | SigmaSIO DDR-II SRAM | RoHS-compliant 165-bump BGA | 250 | I |
| 4M x 18 | GS8662S18BGD-400 | SigmaSIO DDR-II SRAM | RoHS-compliant 165-bump BGA | 400 | C |
| 4M x 18 | GS8662S18BGD-350 | SigmaSIO DDR-II SRAM | RoHS-compliant 165-bump BGA | 350 | C |
| 4M x 18 | GS8662S18BGD-333 | SigmaSIO DDR-II SRAM | RoHS-compliant 165-bump BGA | 333 | C |
| 4M x 18 | GS8662S18BGD-300 | SigmaSIO DDR-II SRAM | RoHS-compliant 165-bump BGA | 300 | C |
| 4M x 18 | GS8662S18BGD-250 | SigmaSIO DDR-II SRAM | RoHS-compliant 165-bump BGA | 250 | C |
| 4M x 18 | GS8662S18BGD-400I | SigmaSIO DDR-II SRAM | RoHS-compliant 165-bump BGA | 400 | I |
| 4M x 18 | GS8662S18BGD-350I | SigmaSIO DDR-II SRAM | RoHS-compliant 165-bump BGA | 350 | I |
| 4M x 18 | GS8662S18BGD-333I | SigmaSIO DDR-II SRAM | RoHS-compliant 165-bump BGA | 333 | I |
| 4M x 18 | GS8662S18BGD-300I | SigmaSIO DDR-II SRAM | RoHS-compliant 165-bump BGA | 300 | I |
| 4M x 18 | GS8662S18BGD-250I | SigmaSIO DDR-II SRAM | RoHS-compliant 165-bump BGA | 250 | I |
| 8M x 9 | GS8662S09BGD-400 | SigmaSIO DDR-II SRAM | RoHS-compliant 165-bump BGA | 400 | C |
| 8M x 9 | GS8662S09BGD-350 | SigmaSIO DDR-II SRAM | RoHS-compliant 165-bump BGA | 350 | C |
| 8M x 9 | GS8662S09BGD-333 | SigmaSIO DDR-II SRAM | RoHS-compliant 165-bump BGA | 333 | C |
| 8M x 9 | GS8662S09BGD-300 | SigmaSIO DDR-II SRAM | RoHS-compliant 165-bump BGA | 300 | C |
| 8M x 9 | GS8662S09BGD-250 | SigmaSIO DDR-II SRAM | RoHS-compliant 165-bump BGA | 250 | C |

Notes:

- Customers requiring delivery in Tape and Reel should add the character "T" to the end of the part number. Example: GS8662S36BD-300T.
- C = Commercial Temperature Range. I = Industrial Temperature Range.

Ordering Information—GSI SigmaSIO DDR-II SRAM

| Org | Part Number ¹ | Type | Package | Speed (MHz) | T _J ² |
|--------|--------------------------|----------------------|-----------------------------|-------------|-----------------------------|
| 8M x 9 | GS8662S09BGD-400I | SigmaSIO DDR-II SRAM | RoHS-compliant 165-bump BGA | 400 | I |
| 8M x 9 | GS8662S09BGD-350I | SigmaSIO DDR-II SRAM | RoHS-compliant 165-bump BGA | 350 | I |
| 8M x 9 | GS8662S09BGD-333I | SigmaSIO DDR-II SRAM | RoHS-compliant 165-bump BGA | 333 | I |
| 8M x 9 | GS8662S09BGD-300I | SigmaSIO DDR-II SRAM | RoHS-compliant 165-bump BGA | 300 | I |
| 8M x 9 | GS8662S09BGD-250I | SigmaSIO DDR-II SRAM | RoHS-compliant 165-bump BGA | 250 | I |
| 8M x 8 | GS8662S08BGD-400 | SigmaSIO DDR-II SRAM | RoHS-compliant 165-bump BGA | 400 | C |
| 8M x 8 | GS8662S08BGD-350 | SigmaSIO DDR-II SRAM | RoHS-compliant 165-bump BGA | 350 | C |
| 8M x 8 | GS8662S08BGD-333 | SigmaSIO DDR-II SRAM | RoHS-compliant 165-bump BGA | 333 | C |
| 8M x 8 | GS8662S08BGD-300 | SigmaSIO DDR-II SRAM | RoHS-compliant 165-bump BGA | 300 | C |
| 8M x 8 | GS8662S08BGD-250 | SigmaSIO DDR-II SRAM | RoHS-compliant 165-bump BGA | 250 | C |
| 8M x 8 | GS8662S08BGD-400I | SigmaSIO DDR-II SRAM | RoHS-compliant 165-bump BGA | 400 | I |
| 8M x 8 | GS8662S08BGD-350I | SigmaSIO DDR-II SRAM | RoHS-compliant 165-bump BGA | 350 | I |
| 8M x 8 | GS8662S08BGD-333I | SigmaSIO DDR-II SRAM | RoHS-compliant 165-bump BGA | 333 | I |
| 8M x 8 | GS8662S08BGD-300I | SigmaSIO DDR-II SRAM | RoHS-compliant 165-bump BGA | 300 | I |
| 8M x 8 | GS8662S08BGD-250I | SigmaSIO DDR-II SRAM | RoHS-compliant 165-bump BGA | 250 | I |

Notes:

1. Customers requiring delivery in Tape and Reel should add the character "T" to the end of the part number. Example: GS8662S36BD-300T.
2. C = Commercial Temperature Range. I = Industrial Temperature Range.