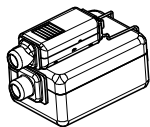
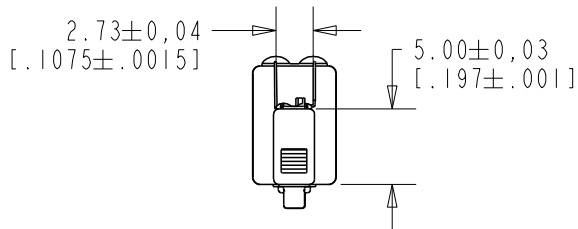
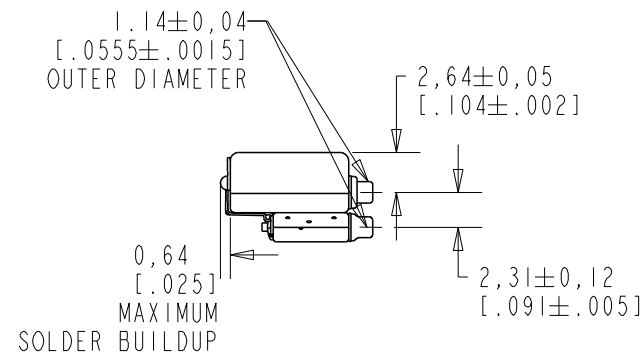
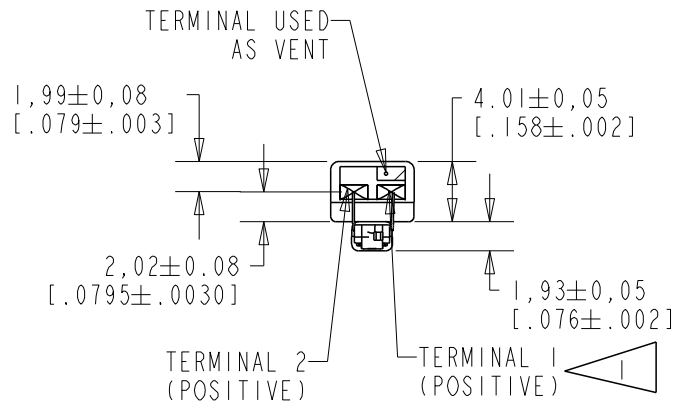
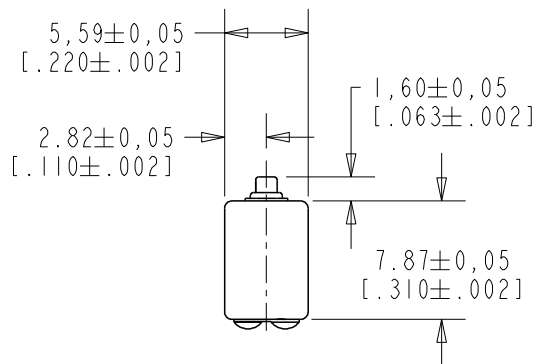


CU-32829-000

SHT 1.1

NOTES:

 A POSITIVE GOING VOLTAGE AT TERMINAL 2, RELATIVE TO TERMINAL 1, CAUSES A DECREASE IN PRESSURE AT THE SOUND OUTLET.



NOMINAL WEIGHT
.66 GRAM

DIMENSIONS IN MILLIMETERS [INCHES]

RED CONTROLLED

Revision	C.O. #	Implementation Date	RELEASE LEVEL	REVISION
			Active	A
A	PI0000621	8-11-16		

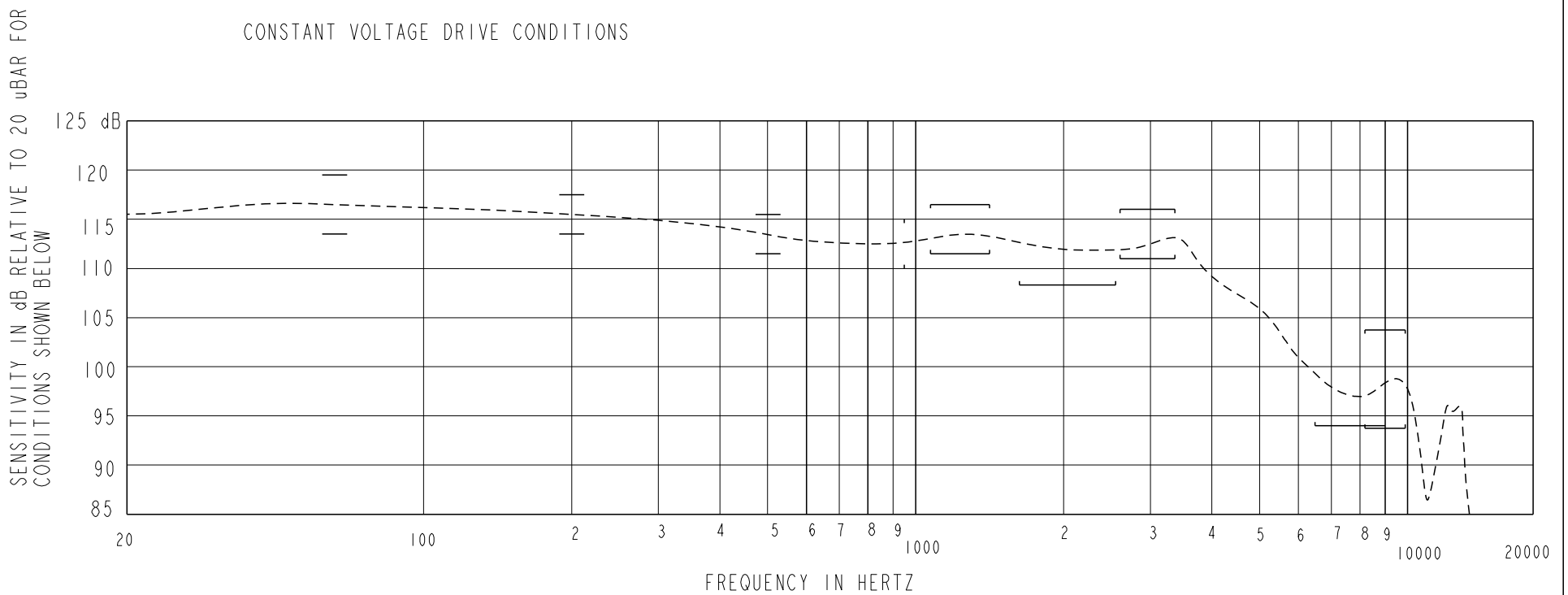
SCALE:	2:1		DR. BY	DATE
DO NOT SCALE DRAWING			NANC	8-11-16
TITLE:	RECEIVER	CU-32829-000	CK. BY	DATE
	OUTLINE DRAWING	SHT 1.1	GJP	8-11-16
			APP. BY	DATE
			GJP	8-11-16

KNOWLES CORPORATION

UNDAMPED MAGNETIC BALANCED ARMATURE RECEIVERS INTENDED FOR USE AS THE HIGH AND LOW FREQUENCY DRIVERS IN A Hi Fi SYSTEM. THE GU RECEIVER COMBINES A FK AND BK RECEIVERS COUPLED THROUGH A CIRCUIT TO PROVIDE THE RESPONSE SHAPE.

GU-32829-000

SHEET 2.1



ACOUSTICAL

SENSITIVITY
 DEVICE WILL PRODUCE THE SPL LISTED BELOW UNDER TEST CONDITIONS IN TABLE 3. NOMINAL SENSITIVITY AT 1kHz IS dB RELATIVE TO 20uPa. ALL OTHER VALUES IN dB RELATIVE TO THE SENSITIVITY AT 1kHz.

FREQUENCY (Hz)	MINIMUM	NOMINAL	MAXIMUM
70	0.0	+3.0	+6.0
200	0.0	+2.0	+4.0
500	-2.0	+113.5	+2.0
700-950	-3.5	-1.0	+1.5
1100-1500	-2.0	0.0	+2.0
1700-2600	-4.25	--	--
2650-3400	-2.5	0.0	+2.5
6500-9000	-19.5	--	--
8200-9900	-19.75	-14.75	-9.75

TABLE 1.

TOTAL HARMONIC DISTORTION
 DEVICE WILL NOT EXCEED TOTAL HARMONIC DISTORTION LEVELS LISTED BELOW.

FREQUENCY (Hz)	AC DRIVE (V rms)	DC BIAS (mA)	LIMIT (%)
830	0.101	0	3
1130	0.101	0	3
500	0.3	0	3

TABLE 2.

TEST CONDITIONS

NOMINAL SOURCE VOLTAGE	0.101 Vrms, 0 Vdc BIAS
SOURCE IMPEDANCE	< 1 Ohm
TUBING	T-11959
COUPLER CAVITY	IEC 60318-4(711)

TABLE 3.

ELECTRICAL

DC RESISTANCE	16.0 OHMS ± 10%
IMPEDANCE @ 500 Hz	15.0 OHMS ± 20%
IMPEDANCE @ 1 k Hz	17.0 OHMS ± 23%

TABLE 4

ISOLATION: CASE WILL BE ELECTRICALLY ISOLATED FROM THE COIL CIRCUIT.

MECHANICAL

PORT LOCATION: DUAL PORT

SOLDER TYPE: SAC305 (LEAD FREE)

TEMPERATURE

OPERATING: SENSITIVITY AT 1K Hz WILL NOT VARY MORE THAN +1/-3 dB FROM 0°C TO 63°C

STORAGE: -40°C TO 63°C

RED CONTROLLED

KNOWLES CORPORATION

Revision	C.O. #	Implementation Date	RELEASE LEVEL	REVISION
A	PI0000621	8-11-16	Active	A
WHEN TEST LIMITS ARE USED TO ESTABLISH INCOMING INSPECTION ACCEPTANCE/REJECTION CRITERIA, CORRELATION OF TEST EQUIPMENT WITH KNOWLES IS ALSO REQUIRED FOR ELIMINATION OF EQUIPMENT AND TEST METHOD VARIATION			DR. BY	DATE
TITLE: RECEIVER			NANC	8-11-16
			GU-32829-000	
PERFORMANCE SPECIFICATION			SHT 2.1	
			CK. BY	DATE
			GJP	8-11-16
			APP. BY	DATE
			GJP	8-11-16