

# Overload Relays

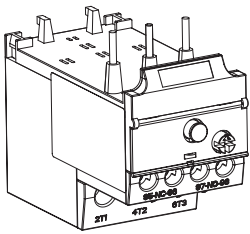
## Accessories

Separate mounting adapters  
for 3-pole Thermal overload relays

Separate mounting adapter



Corresponding relay	Adapter type	Terminal type	Weight g
GT32	GUZ32S	Screw type	68
GT63	GUZ63S	Screw type	134
GT63L	GUZ63L	Lug type	134
GT95	GUZ95S	Screw type	230
GT95L	GUZ95L	Lug type	230



Overload relay  
GT32

### Mounting

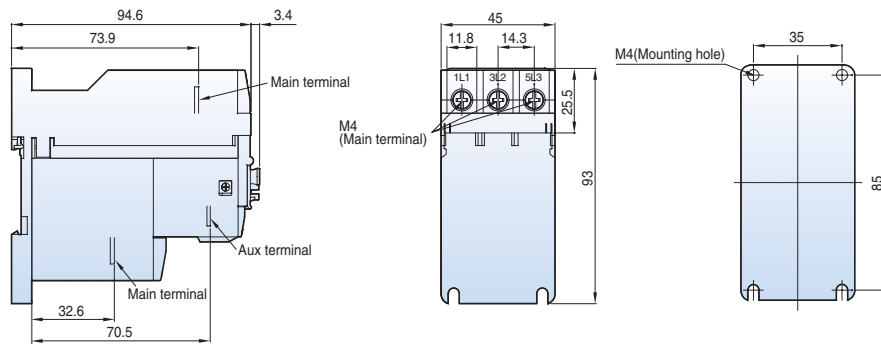
Clip-on mounting on 35 mm rail or screw fixing.

# Overall Dimensions

## Separate mounting units for overload relays (Screw type)

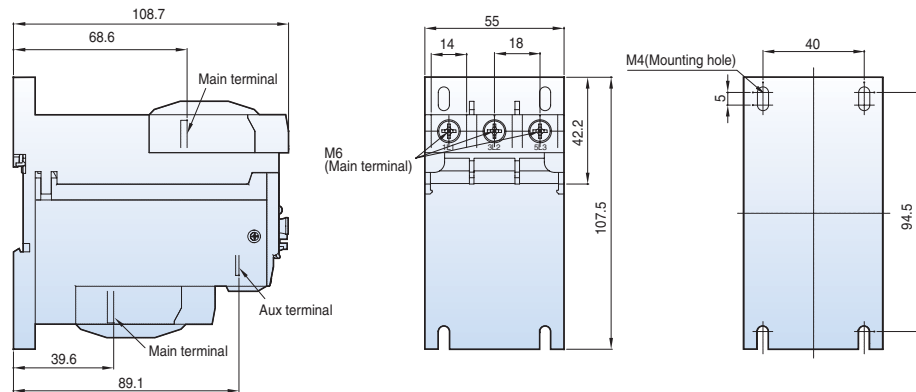
[mm]

**GUZ32**



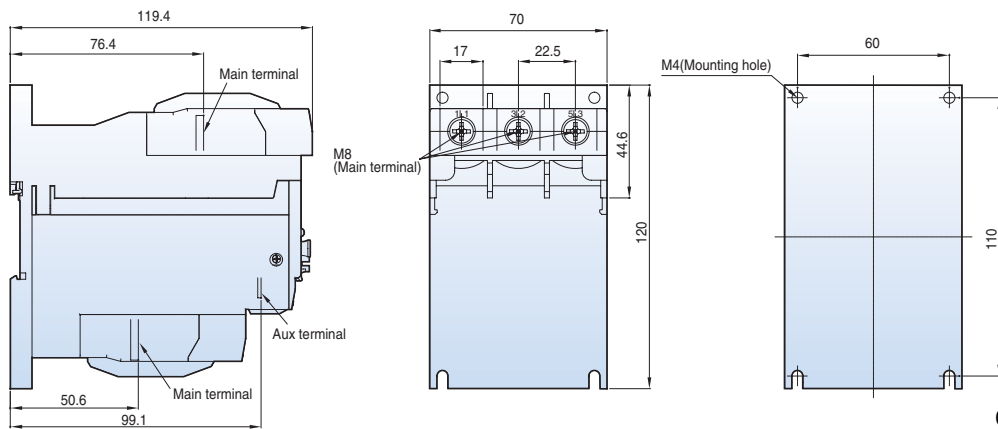
0.068kg

**GUZ63**



0.134kg

**GUZ95**



0.230kg