

# GW2A/GW2AR series of FPGA Products Schematic Manual

## Introduction

Users should follow a series of rules during circuit board design when using the GW2A/GW2AR series of FPGA products. This manual describes the characteristics and special features of GW2A/GW2AR series FPGA products and provides a comprehensive checklist to guide design processes. The main contents of this guide are as follows:

- Power Supply
- JTAG download
- MSPI download
- Clock pin
- Difference pin
- READY, RECONFIG\_N, DONE
- MODE
- JTAGSEL\_N
- FASTRD\_N
- EXTR
- Pin Multiplexing
- Reference for the external crystal oscillator circuit
- GW2AR Bank voltage
- Supported configuration modes
- Pin Distribution

## Power Supply

### 1. Overview

Voltage types of the GW2A/GW2AR series of FPGA products include core voltage ( $V_{CC}$ ), PLL voltage ( $V_{CCPLL}$ ), auxiliary voltage ( $V_{CCX}$ ) and Bank voltage ( $V_{CCIO}$ ).

$V_{CCX}$  is an auxiliary power supply that is used to connect the internal part of the chip, with a 2.5V or 3.3V power supply. If no  $V_{CCX}$  exists, I/O, OSC, and BSRAM circuits will be impacted and the chip will not be functional.

### 2. Power Index

Users should ensure GOWINSEMI products are always used within

recommended operating conditions and range. Data beyond the working conditions and range are for reference only. GOWINSEMI does not guarantee that all devices will operate as expected beyond the standard operating conditions and range.

Table 1 lists the recommended working range for each power voltage.

**Table 2 Recommended Working Range**

Name	Description	Min.	Max.
V <sub>CC</sub>	Power voltage	0.95V	1.05V
V <sub>CCPLL</sub>	PLL Power	0.95V	1.05V
V <sub>CCO</sub>	I/O Bank Power	1.14V	3.465V
V <sub>CCX</sub>	Auxiliary Power	3.135V	3.465V

### 3. Total Power

For specific density, packages, and resource utilization, GPA tools can be used to evaluate and analyze the power consumption.

### 4. Power-on time

Reference range of power-on time: 0.2 ms ~ 2 ms.

#### Note!

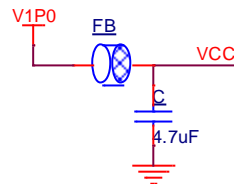
- If the power-on time is more than 2ms, you need to ensure that the power-on in sequence is V<sub>CC</sub>, and then V<sub>CCX</sub>/V<sub>CCIO</sub>;
- If the power-on time is less than 0.2ms, it is recommended to increase the capacitance to prolong the power-on time.

### 5. Power Filter

Each FPGA power input pin is connected to the ground with a 0.1uF ceramic capacitor.

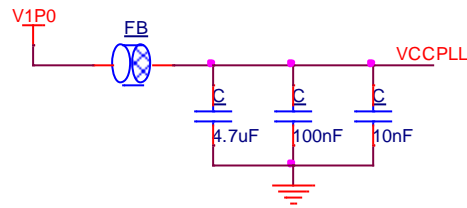
The input end of the V<sub>CC</sub> core voltage should primarily conduct the noise processing. Specific reference is as shown in Figure 1:

**Figure 1 Noise Processing of the Input End of the V<sub>CC</sub> Core Voltage**



GW2A/GW2AR series of FPGA products isolate and filter the V<sub>CCPLL</sub>. Specific reference is as shown in Figure 2:

**Figure 2 Isolate and Filter the V<sub>CCPLL</sub>**



FB is a magnetic bead, reference model mh2029-221Y, ceramic capacitance 4.7uF, 100nF and 10nF. It offers an accuracy of more than ±10%.

## JTAG Download

### 1. Overview

JTAG download is used for downloading the bitstream data into the SRAM, on-chip flash or off-chip flash of the FPGA.

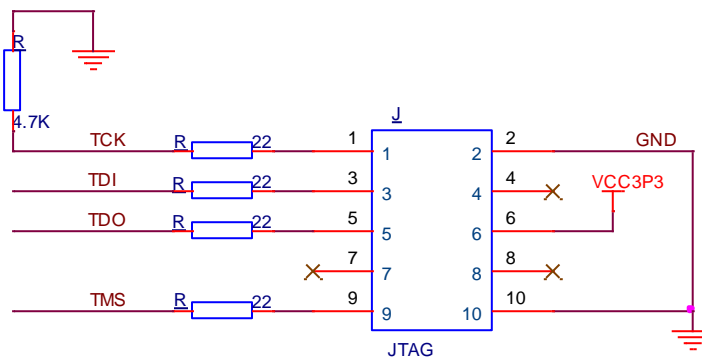
### 2. Signal Definition

**Table 3 Signal Definition of JTAG Configuration Mode**

Name	I/O	Description
TCK	I	Serial clock input in JTAG mode
TMS	I, internal weak pull-up	Serial mode input in JTAG mode
TDI	I, internal weak pull-up	Serial data input in JTAG mode
TDO	O	Serial data output in JTAG mode

### 3. JTAG Circuit Reference

**Figure 3 JTAG Circuit Reference**



**Note!**

- The resistance accuracy is not less than 5%;
- The power supply of the 6th pin in the JTAG socket can be adjusted to VCC1P2, VCC1P5, VCC1P8 and VCC2P5 as required.

# MSPI Download

## 1. Overview

As a master device, the MSPI configuration mode reads the configuration data automatically from the off-chip flash and sends it to the FPGA SRAM.

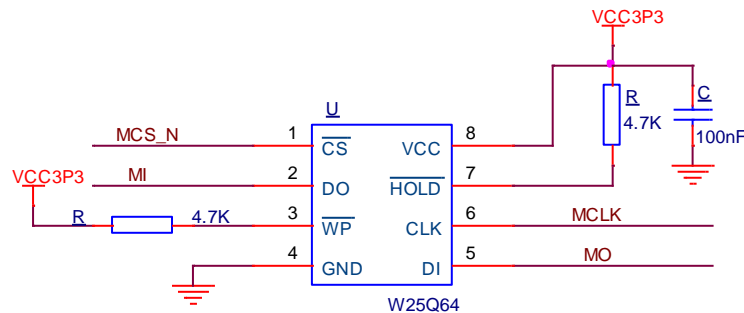
## 2. Signal Definition

**Table 4 Signal Definition for MSPI Configuration Mode**

Name	I/O	Description
MCLK	O	Clock output in MSPI mode
MCS_N	O	MCS_N in MSPI mode, low-active
MI	I	Data input in MSPI mode
MO	O	Data output in MSPI mode

## 3. MSPI Circuit Reference

**Figure 4 MSPI Circuit Reference**



**Note!**

The serial flash chip model is for reference only. Alternatively, serial flash storage with the same index can be used. The resistance accuracy is not less than 5%.

# Clock Pin

## 1. Overview

The clock pins include GCLK global clock pins and PLL clock pins.

**GCLK:** The GCLK pins in the GW2A/GW2AR series of FPGA products distribute in four quadrants. Each quadrant provides eight GCLK networks. The optional clock resources of the GCLK can be pins or CRU. Selecting the clock from the dedicated I/Os can result in better timing.

**PLL:** Frequency (multiply and division), phase, and duty cycle can be adjusted by configuring the parameters.

## 2. Signal Definition

**Table 5 Signal Definition for Clock Pin**

Name	I/O	Description
GCLKT_[x]	I/O	Pins in global clock input, T(True), [x]: global clock No.
GCLKC_[x]	I/O	Pins for Global clock input, C(Comp), [x]: global

Name	I/O	Description
		clock No.
LPLL_T_fb/RPLL_T_fb	I	L/R PLL feedback the input pin, T(True)
LPLL_C_fb/RPLL_C_fb	I	L/R PLL feedback the input pin, C(Comp)
LPLL_T_in/RPLL_T_in	I	L/R PLL clock input pin, T(True)
LPLL_C_in/RPLL_C_in	I	L/R PLL clock input pin, C(Comp)

### 3. Clock Input Selection

If the external clock inputs as a PLL clock, the user is advised to input from the PLL dedicated pin. And the PLL\_T end is selected if the external clock inputs from the single-end.

GCLK is the global clock and is directly connected to all resources in the device. The GCLK\_T end is advised if the GCLK inputs from the single-end.

## Difference Pin

### 1. Overview

Differential transmission is a form of signal transmission technology that operates according to differences between the signal line and the ground line. The differential transmit signals on these two lines, the amplitude of the two signals are equal and have the same phase but demonstrate opposite polarity.

### 2. LVDS

LVDS is a low-voltage differential signal that offers low power consumption, low bit error rate, low crosstalk, and low radiation. It facilitates the transmission of data using a low-voltage swing high-speed differential. Different packages employ different signals. Please refer to the True LVDS section of the Package Pinout Manual for further details.

#### Note!

- All BANKs in the GW2A/GW2AR series of FPGA products support True LVDS output;
- BANK0/1 in the GW2A/GW2AR series of FPGA products support 100 ohm differential input resistance;
- If the BANK is used as the differential input, 100-ohm terminal resistance is needed;
- The different line impedance of PCB is controlled at about 100 ohms.

## READY, RECONFIG\_N, DONE

### 1. Overview

RECONFIG\_N is a reset function within the FPGA programming configuration. FPGA can't configure if RECONFIG\_N is low.

As a configuration pin, a low level signal with pulse width no less than 25ns is required to start GowinCONFIG to reload bitstream data according to the MODE setting value. You can control the pin via the write logic and trigger the device to reconfigure.

READY, the FPGA can configure only when the READY signal is high. The device should be restored by using the power on or triggering RECONFIG\_N when the READY signal is low.

As an output configuration pin, FPGA can be indicated for the current configuration state. If the device meets the configuration condition, READY signal is high. If the device fails to configure, the READY signal changes to low. As an input configuration pin, you can reduce the READY signal via its own logic or manually operate outside the device to delay configuration.

DONE, the DONE signal indicates that the FPGA is configured successfully. The signal is high after successful configuration.

As an output configuration pin, FPGA can be indicated whether the current configuration is successful. If configured successfully, DONE is high, and the device enters into a working state. If the device failed to configure, the DONE signal remains low. For the input type, the user can reduce the READY signal via its own internal logic or manually operate outside the device to delay progression to user mode.

When the RECONFIG\_N or READY signals is low. The DONE signal is low. DONE has no influence when SRAM is configured through the JTAG circuit.

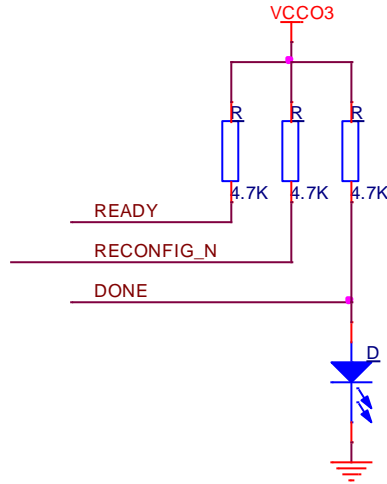
## 2. Signal Definition

**Table 6 Signal Definition**

Name	I/O	Description
RECONFIG_N	I, internal weak pull-up	Low-level pulse: Start new GowinCONFIG configuration
READY	I/O	High-level pulse: The device can currently be programmed and configured;
		Low-level pulse: The device cannot be programmed and configured,
DONE	I/O	High-level pulse: The device has been successfully programmed and configured;
		Low-level pulse: The configuration is incomplete or has failed.

### 3. Reference Circuit

Figure 5 Reference Circuit



**Note!**

- The upper pull power supply is the bank voltage value of the corresponding pin;
- The resistance accuracy is not less than  $\pm 5\%$ .

## MODE

### 1. Overview

MODE spans the MODE0, MODE1, MODE2, and GowinCONFIG configuration MODE modes. When the FPGA powers on or a low pulse triggers the RECONFIG\_N mode, the device enters the corresponding GowinCONFIG state according to the MODE value. As the number of pins for each package is different, some MODE pins are not all packaged, and the unpacked MODE pins are grounded inside. Please refer to the corresponding PINOUT manual for further details.

### 2. Signal Definition

Table 7 Signal Definition

Name	I/O	Description
MODE2	I, internal weak pull-up	GowinCONFIG modes selection pin.
MODE1	I, internal weak pull-up	GowinCONFIG modes selection pin.
MODE0	I, internal weak pull-up	GowinCONFIG modes selection pin.

### 3. Mode Selection

**Table 8 Mode Selection**

Configuration		MODE[2:0]	Instructions
JTAG		XXX	The GW2A(R) series of FPGA products are configured by the external Host via a JTAG interface.
GowinCONFIG	MSPI	000	As a master, the GW2A/GW2AR series of FPGA products are configured by reading data from an external flash (or alternative device) through an SPI interface <sup>3</sup> .
	SSPI	001	The GW2A(R) series of FPGA products are configured from an external Host via a SPI interface.
	SERIAL	101	The GW2A(R) series of FPGA products are configured by the external Host via a DIN interface.
	CPU	111	The GW2A(R) series of FPGA products are configured by the external Host via a DBUS interface.

## JTAGSEL\_N

### 1. Overview

Select the signal in JTAG mode. If the JTAG pin is set as GPIO in Gowin software, the JTAG pin is changed to GPIO pin after being powered on and successfully configured. The JTAG pin can be recovered by reducing the JTAGSEL\_N. The JTAG configuration functions are always available if no JTAG pin multiplexing is set.

### 2. Signal Definition

**Table 9 Signal Definition**

Pin Name	I/O	Description
JTAGSEL_N	I, internal weak pull-up	Restore JTAG pin from GPIO to configuration pin. Low level is valid

#### **Note!**

As GPIO, the JTAGSEL\_N pin and the four pins (TCK, TMS, TDI, and TDO) configured with JTAG are mutual exclusive;

- If JTAGSEL\_N is set to GPIO, the JTAG pin can only be used as a configuration pin;
- If JTAG is set to GPIO, the JTAGSEL\_N pin can only be used as a configuration pin.



## FASTRD\_N

### 1. Overview

In MSPI configuration mode, signals are selected via reading the SPI flash speed rate. FASTRD\_N is normal read mode if high level; FASTRD\_N is high speed read mode if low level. Each manufacturer's flash high speed read instruction is different. Please refer to the corresponding flash data manual.

### 2. Signal Definition

**Table 10 Signal Definition**

Pin Name	I/O	Description
FASTRD_N	I	READY signal rising edge sampling High: Normal flash access mode Low: High-speed flash access mode

**Note!**

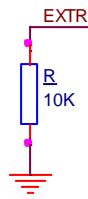
In the high-speed flash access mode: the clock frequency is greater than 30MHz.

## EXTR

EXTR is a dedicated pin that needs to be connected to the ground with 10K resistance. The resistance precision is 1%.

Specific reference is as shown in:

Figure 6 EXTR Pin Configuration



The resistance accuracy is  $\pm 1\%$ .

## Pin Multiplexing

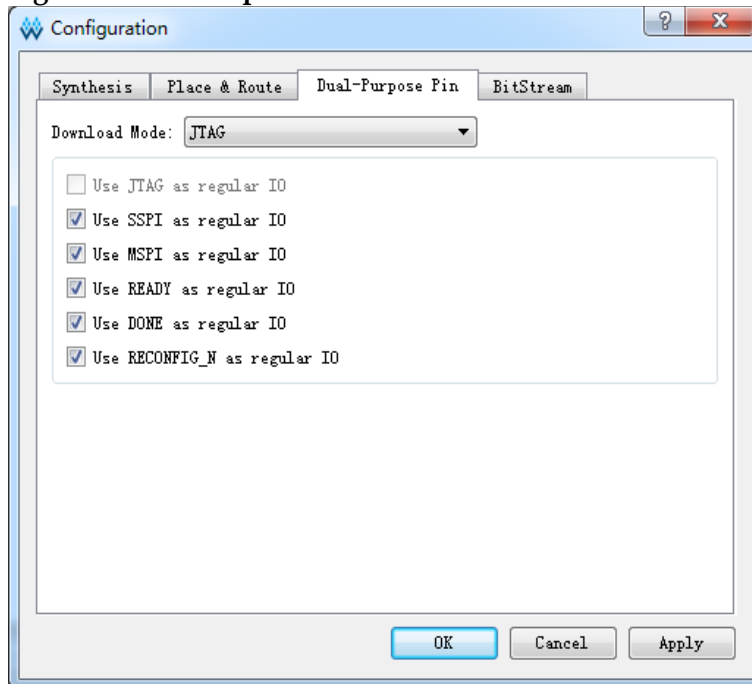
### 1. Overview

Configure pin multiplexing refers to configuring during power-on, which is used as a normal I/O after downloading the bitstream file.

Configure pin multiplex via the Gowin software:

- Open the corresponding project in Gowin software;
- Select "Project > Configuration > Dual Purpose Pin" from the menu options, as shown in Figure 7;
- Check the corresponding option to set the pin multiplex.

Figure 8 Pin Multiplex



### 2. Pin Multiplexing

- SSPI: As a GPIO, SSPI can be used as input or output type;
- MSPI: As a GPIO, MSPI can be used as input or output type;
- RECONFIG\_N GPIO can only be used as an output type. For smooth configuration, set the initial value of RECONFIG\_N as high when multiplexing it.

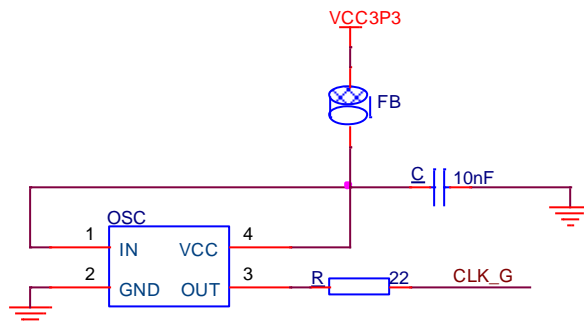
- **READY:** As a GPIO, READY can be used as an input or output. As an input GPIO for READY, the initial value of READY should be 1 before configuring. Otherwise, the FPGA will fail to configure;
- **DONE:** As a GPIO, DONE can be used as an input or output type. If DONE is used as an input GPIO, the initial value of DONE should be 1 before configuring. Otherwise, the FPGA will fail to enter the user mode after configuring;
- **JTAG:** As a GPIO, JTAG can be used as an input or output type;
- **JTAGSEL\_N:** As a GPIO, JTAGSEL\_N can be used as an input or output type.
- **DONE:** As a GPIO, JTAG can be used as an input or output type. In order to smoothly configure, the user multiplexes the MODE pin, the correct configuration mode value is needed to provided during configuration (power-on or low-level pulse triggers RECONFIG\_N). Less than three pins can be multiplexed in the MODE. Unpackaged products are grounded internally. Please refer to PINOUT manual of the corresponding device for details. For the MODE value corresponding to different configuration modes, please refer to the corresponding device configuration and programming manual.

**Note!**

If the Number of I/O ports are sufficient, use non-multiplexed pins first.

## FPGA External Crystal Oscillator Circuit Reference

Figure 9 FPGA External Crystal Oscillator Circuit



FB is a magnetic bead, with MH2029-221Y reference model, more than  $\pm 5\%$  resistance accuracy, and more than  $\pm 10\%$  capacitance accuracy.

## GW2AR Bank Voltage

Due to the SIP SDRAM is in the GW2AR, the BANK voltage connected with it will have a fixed value, which is as follows:

### 1. GW2AR-18 QN88 Package

**Table 11 GW2AR-18 QN88 Package**

Name	Description	Min.	Max.
VCCO2/3/6/7	I/O bank power, connected to SDR SDRAM interface	3.135V	3.465V

### 2. GW2AR-18 LQ144 Package

**Table 12 GW2AR-18 LQ144 Package**

Name	Description	Min.	Max.
VCCO2/3/6/7	I/O bank power, connected to SDR SDRAM interface	3.135V	3.465V

### 3. GW2AR-18 LQ176 Package

**Table 13 GW2AR-18 LQ176 Package**

Name	Description	Min.	Max.
VCCO2/3/6/7	I/O bank power, connected to DDR SDRAM interface	2.375V	2.625V

## Supported Configuration Modes

### 1. GW2A-18

**Table 14 GW2A-18 Configuration Modes**

Configuration	JTAG	SSPI	MSPI	SERIAL	CPU
LQ144	✓	✓	✓	✓	✓
PG256	✓	✓	✓	✓	✓
PG484	✓	✓	✓	✓	✓

### 2. GW2A-55

**Table 15 GW2A-55 Configuration Modes**

Configuration	JTAG	SSPI	MSPI	SERIAL	CPU
PG484	✓	✓	✓	✓	✓
PG1156	✓	✓	✓	✓	✓

### 3. GW2AR-18

**Table 16 GW2AR-18 Configuration Modes**

Configuration	JTAG	SSPI	MSPI	SERIAL	CPU
QN88	✓	--	✓	--	--
LQ144	✓	✓	✓	✓	✓
LQ176	✓	✓	✓	✓	✓

## Pin Distribution

Before designing circuits, users should take the overall FPGA pin distribution needs into consideration and make informed decisions related to the application of the device architecture features, including I/O LOGIC, global clock resources, PLL resources, etc.

All banks of the GW2A/GW2AR bank support true LVDS output. When using true LVDS output,  $V_{CCO}$  shall be configured to 2.5 V or 3.3 V, and refer to *GW2A/GW2AR series FPGA Product Pinout* to ensure that the corresponding pins support true LVDS output.

To support SSTL, HSTL, etc., each bank also provides one independent voltage source ( $V_{REF}$ ) as the reference voltage. Users can choose  $V_{REF}$  from the internal reference voltage of the bank ( $0.5 \times V_{CCO}$ ) or external reference voltage  $V_{REF}$  using any I/O from the bank.

## Support and Feedback

Gowin Semiconductor provides customers with comprehensive technical support. If you have any questions, comments, or suggestions, please feel free to contact us directly using the information provided below.

Website: [www.gowinsemi.com](http://www.gowinsemi.com)

E-mail: [support@gowinsemi.com](mailto:support@gowinsemi.com)

Tel: 00 86 0755 82620391

## Revision History

Date	Version	Description
04/23/2018	1.1E	Initial version published.